

[54] ELECTRIC DRUM PAD

[75] Inventor: Akihiko Fukuoka, Osaka, Japan
[73] Assignee: Roland Corporation, Osaka, Japan
[**] Term: 14 Years
[21] Appl. No.: 784,546
[22] Filed: Oct. 4, 1985

[30] Foreign Application Priority Data

Aug. 26, 1985 [JP] Japan 60-36094
[52] U.S. Cl. D17/22
[58] Field of Search D17/22, 99; 84/411,
84/411 A, 411 M, 411 P, 419, 420, 421

[56] References Cited

U.S. PATENT DOCUMENTS

D. 285,453 9/1986 Hoshino D17/22
4,479,412 10/1984 Klynas 84/1.04
4,581,972 4/1986 Hoshino 84/1.14
4,581,973 4/1986 Hoshino 84/DIG. 12 X
4,648,302 3/1987 Bozzio 84/1.04

OTHER PUBLICATIONS

Music Trades, Jan. 1985, p. 129, bottom right—Up Five Electric Drum set.

Music Trades, Jun. 1985, p. 103, top left—M.P.C. 'Super' Pads.

Primary Examiner—Bernard Ansher

Assistant Examiner—Theodore M. Shooman

Attorney, Agent, or Firm—W. G. Fasse; D. H. Kane, Jr.

[57] CLAIM

The ornamental design for an electric drum pad, as shown and described.

DESCRIPTION

FIG. 1 is a front elevational view of an electric drum pad showing my new design;

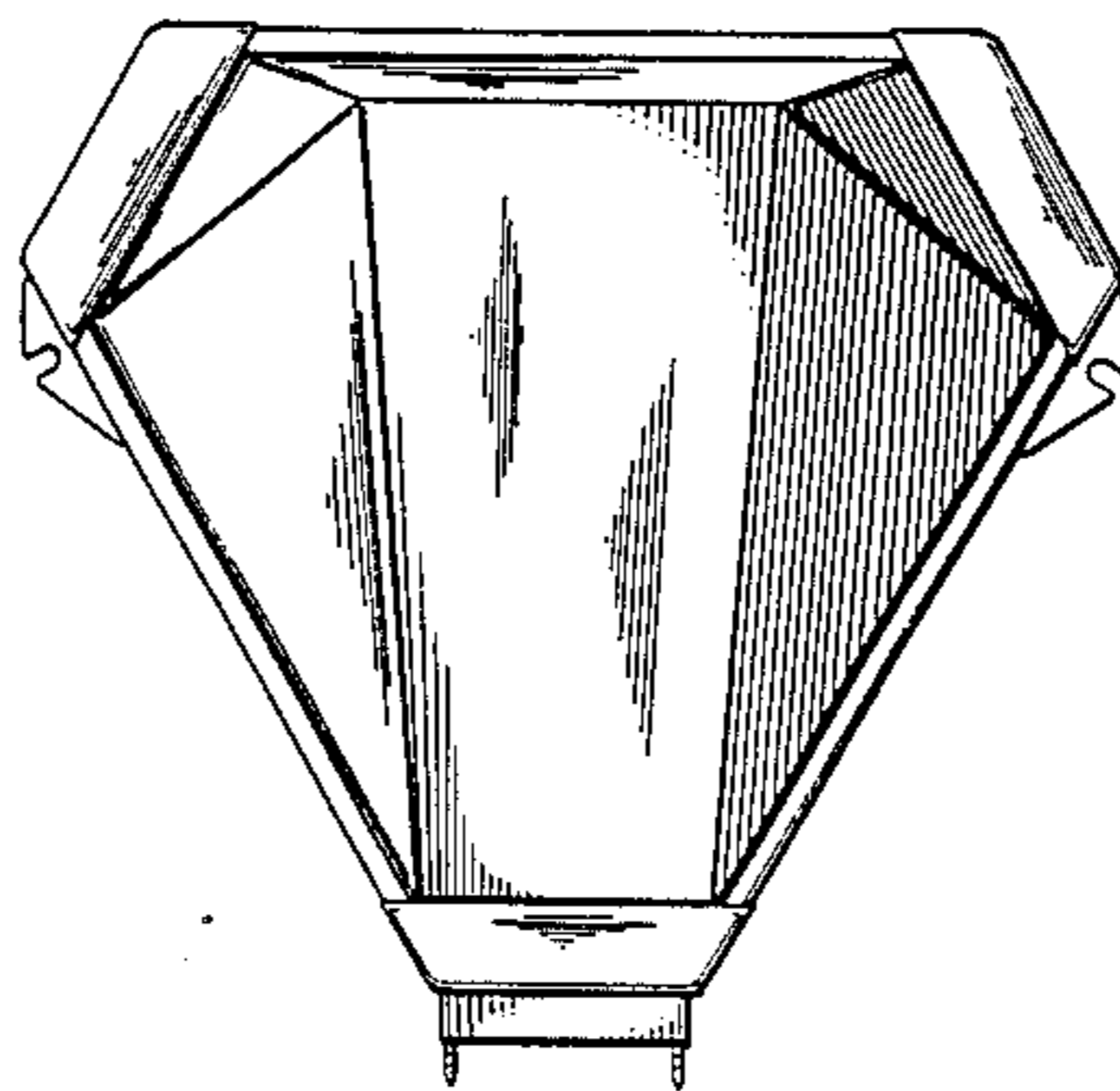
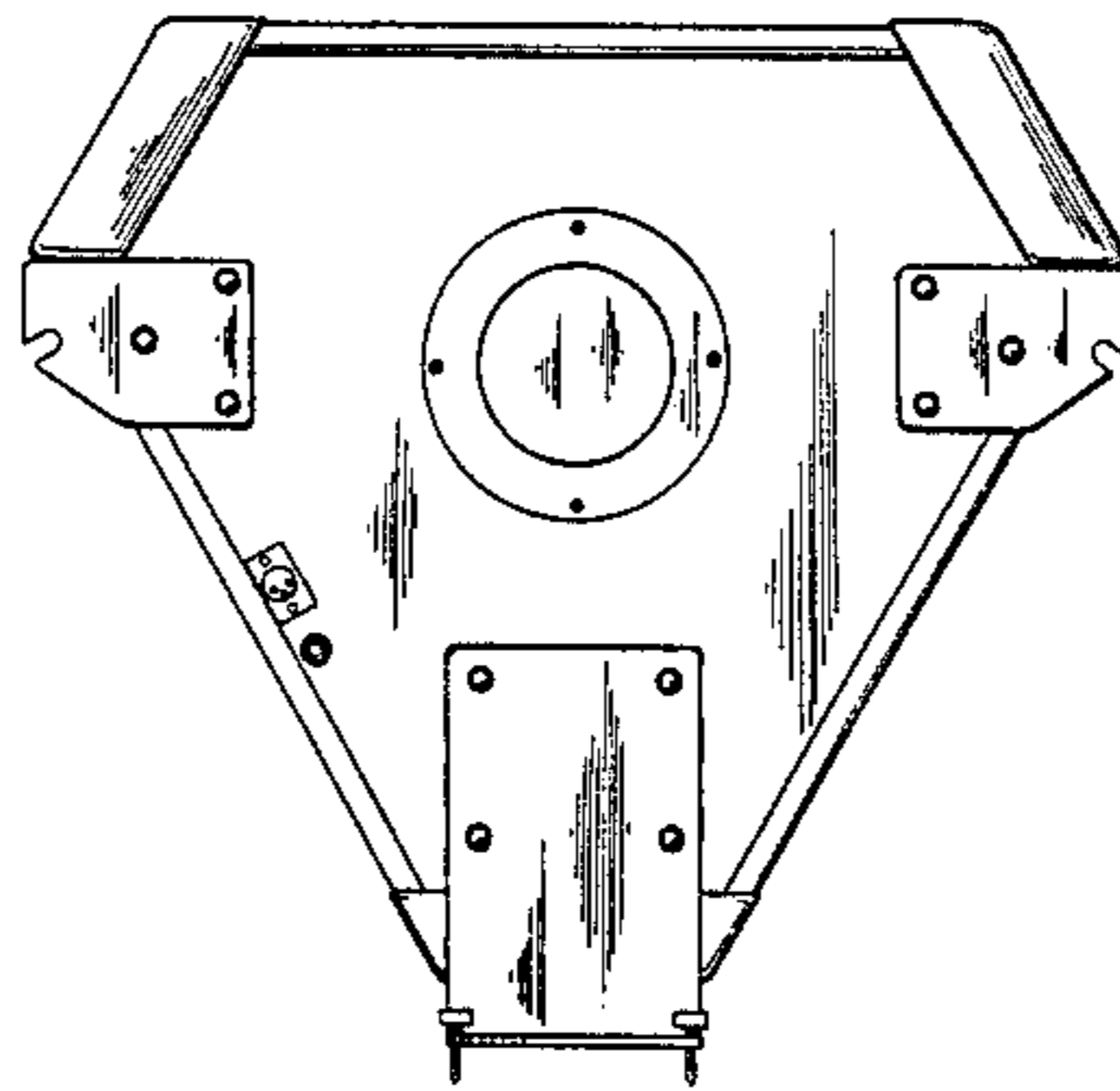
FIG. 2 is a rear elevational view thereof;

FIG. 3 is a top plan view thereof;

FIG. 4 is a bottom plan view thereof;

FIG. 5 is a left side elevational view thereof; and

FIG. 6 is a right side elevational view thereof.



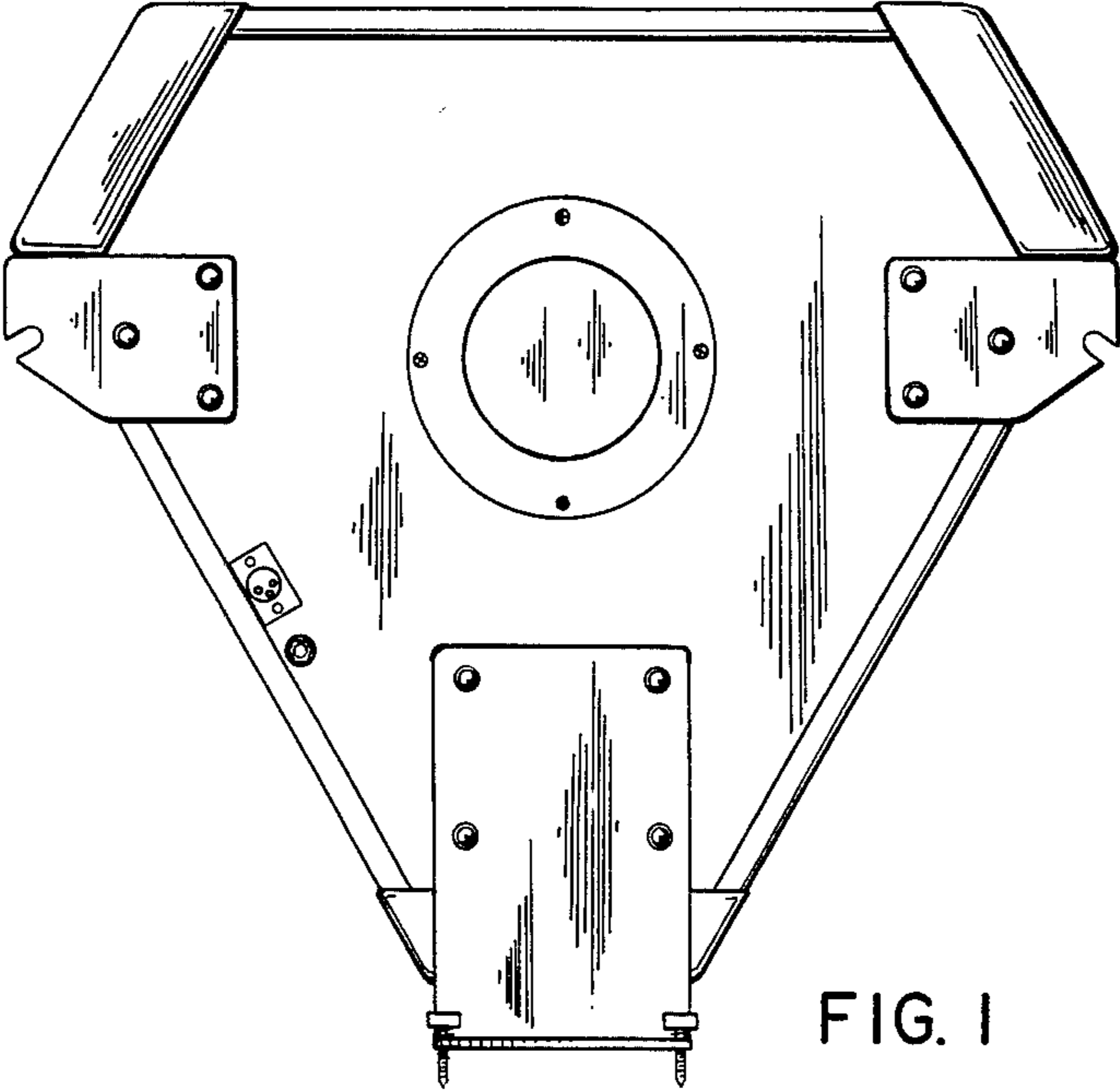


FIG. 1

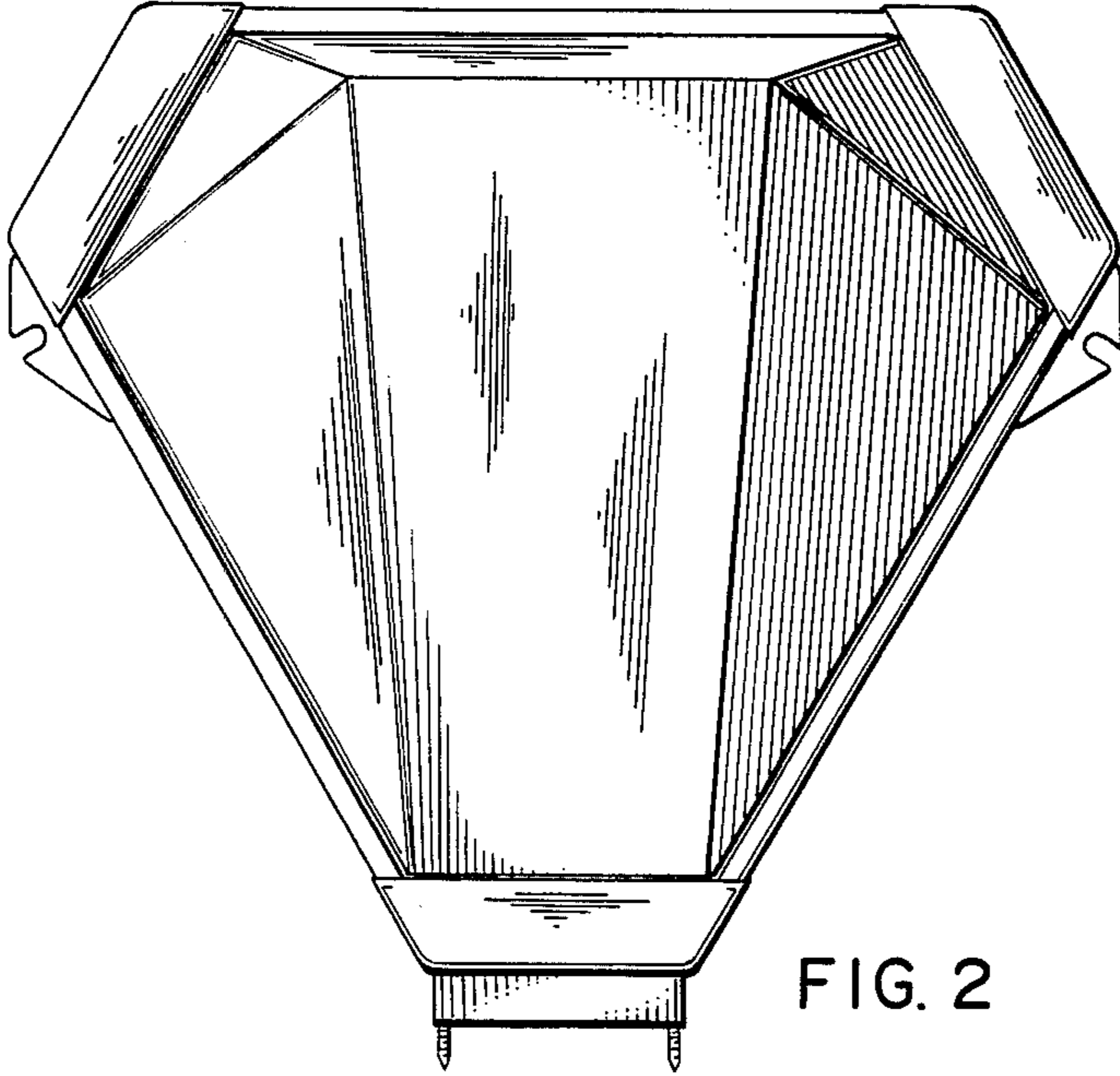


FIG. 2

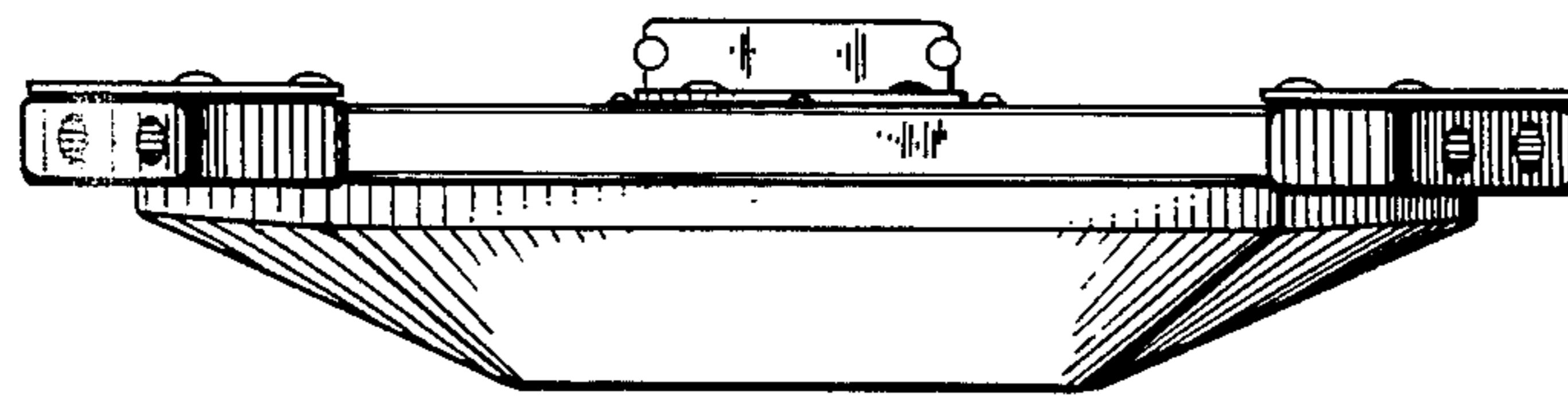


FIG. 3

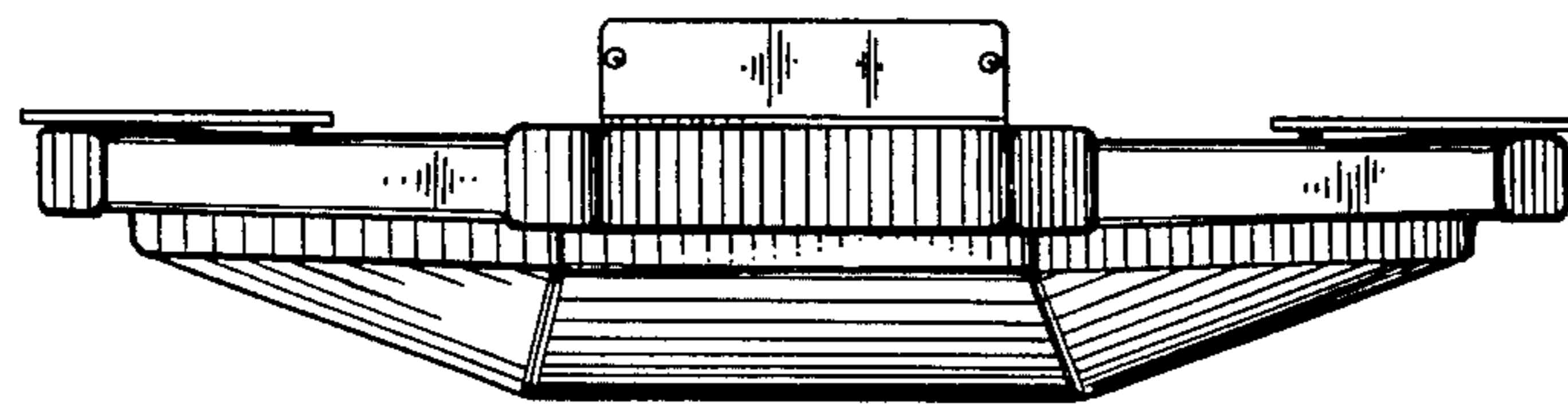


FIG. 4

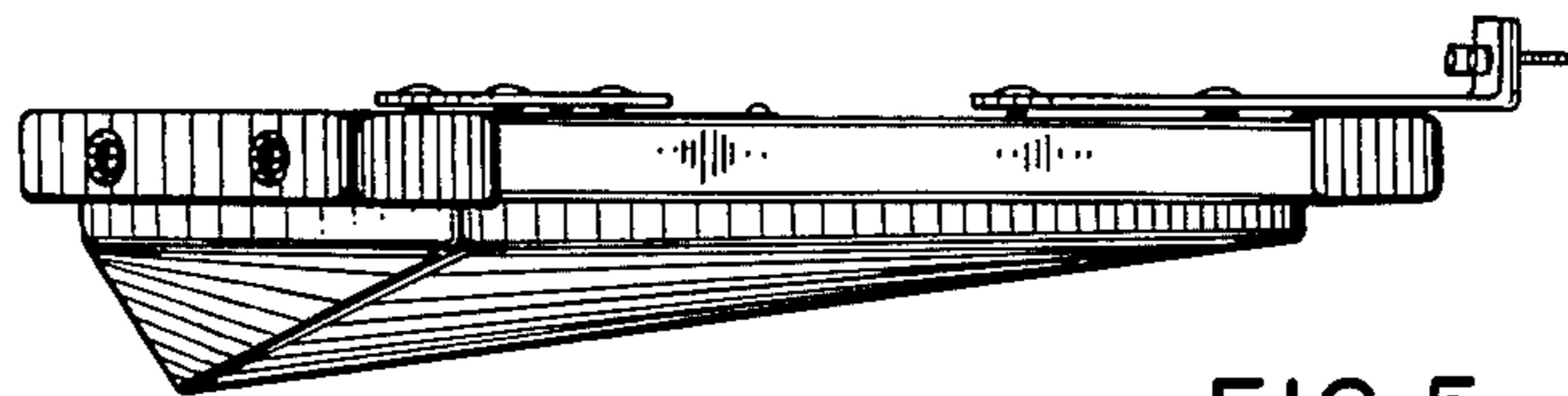


FIG. 5

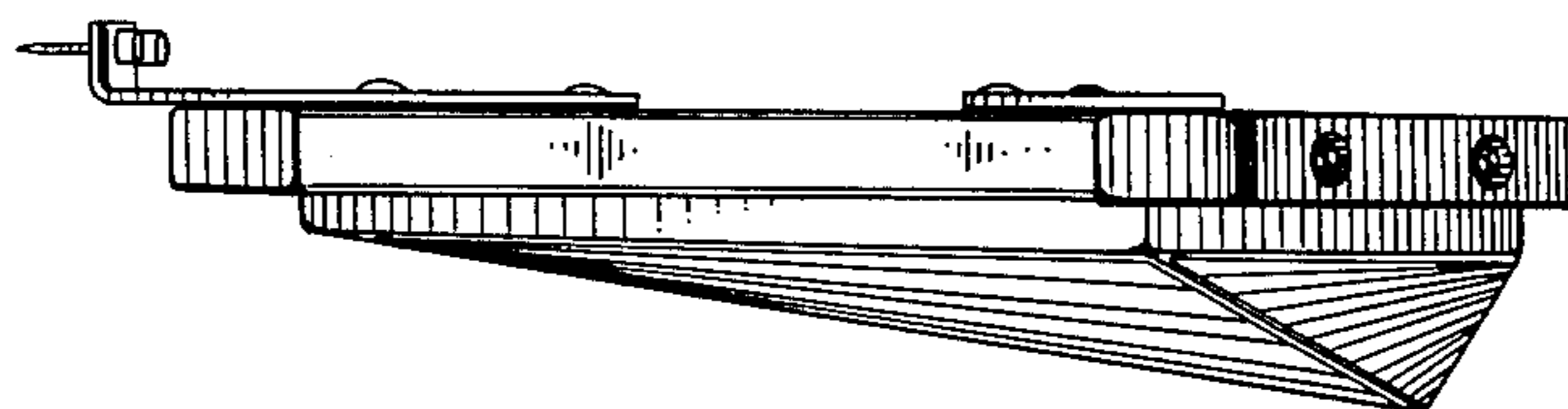


FIG. 6