

[54] PAVEMENT CRACK SEALER MACHINE

3,873,227 3/1975 Goethe et al. .... 404/107

[75] Inventors: Floyd D. Schave; Roger S. Allshouse, both of Mesa, Ariz.

Primary Examiner—Wallace R. Burke  
Assistant Examiner—Ruth Takemoto  
Attorney, Agent, or Firm—Cahill, Sutton & Thomas

[73] Assignee: CrafcO, Inc., Chandler, Ariz.

[57] CLAIM

[\*\*] Term: 14 Years

The ornamental design for a pavement crack sealer machine, as shown and described.

[21] Appl. No.: 909,496

DESCRIPTION

[22] Filed: Sep. 19, 1986

[52] U.S. Cl. .... D15/13

[58] Field of Search ..... D15/10, 13, 27; 366/22, 366/23, 24, 25, 13; 404/107, 111

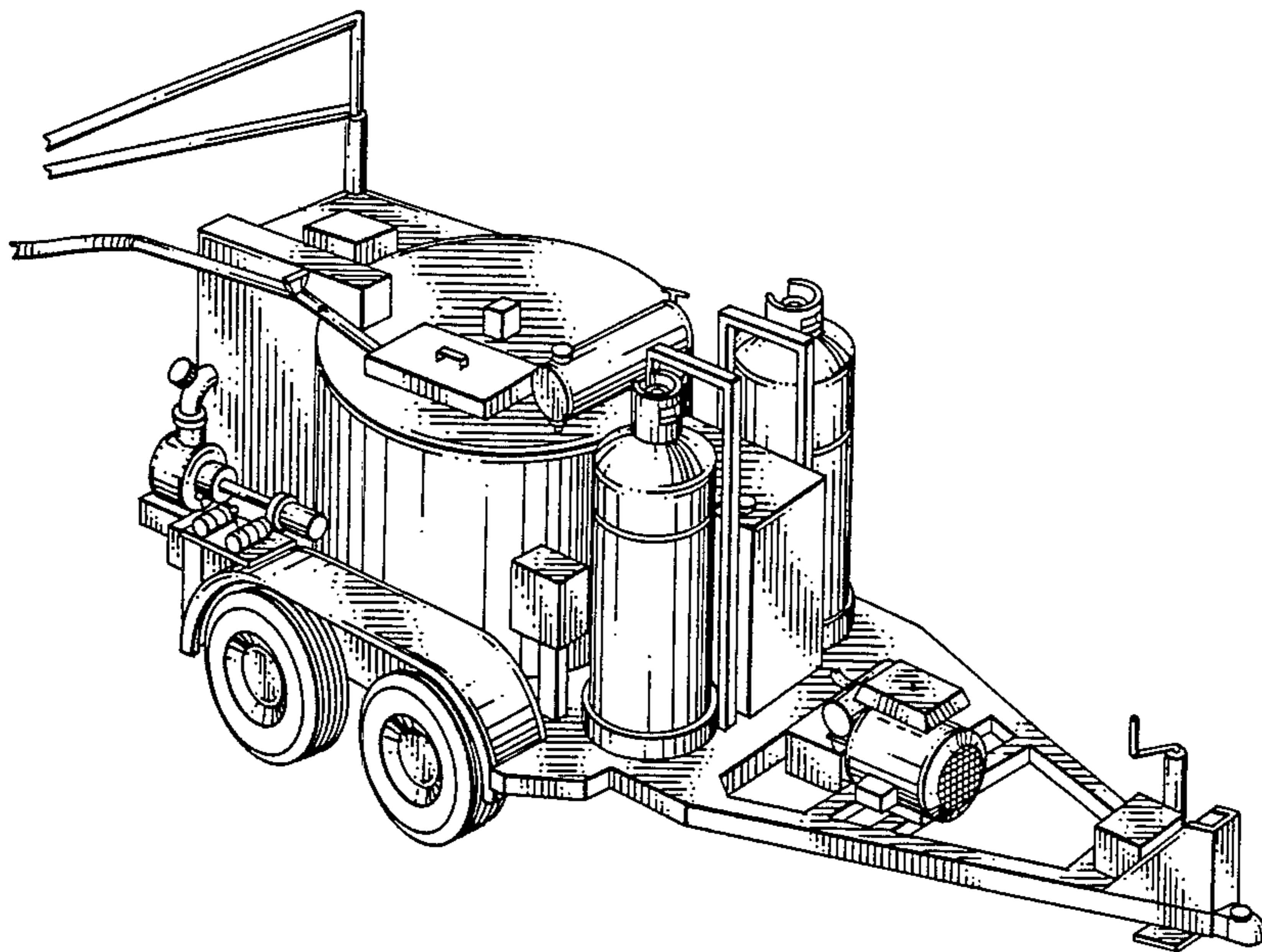
FIG. 1 is a top perspective view of a pavement crack sealer machine showing our new design;  
FIG. 2 is a right side elevational view thereof, the left side being a mirror image;  
FIG. 3 is a top plan view thereof;  
FIG. 4 is a bottom plan view thereof;  
FIG. 5 is a front elevational view thereof; and  
FIG. 6 is a rear elevational view thereof.

[56] References Cited

U.S. PATENT DOCUMENTS

D. 257,149	9/1980	Jacobson	.....	D15/27
D. 267,800	2/1983	Tate	.....	D15/27
D. 277,676	2/1985	Neal	.....	D15/13
3,807,706	4/1974	Kugle et al.	.....	366/51

The hose and support bracket in FIGS. 1-6 are broken away for ease of illustration and are understood to represent indeterminate length.



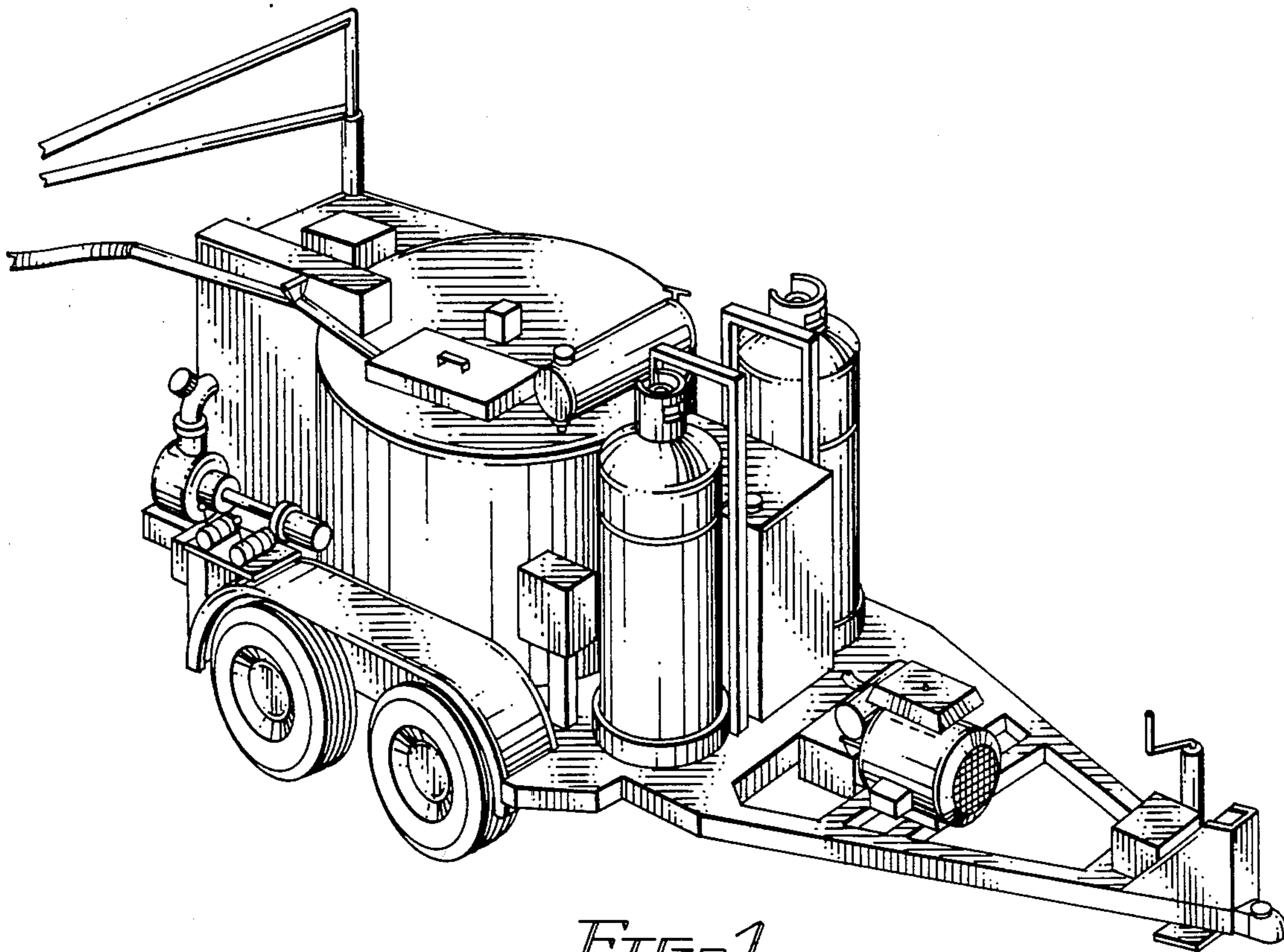


FIG. 1

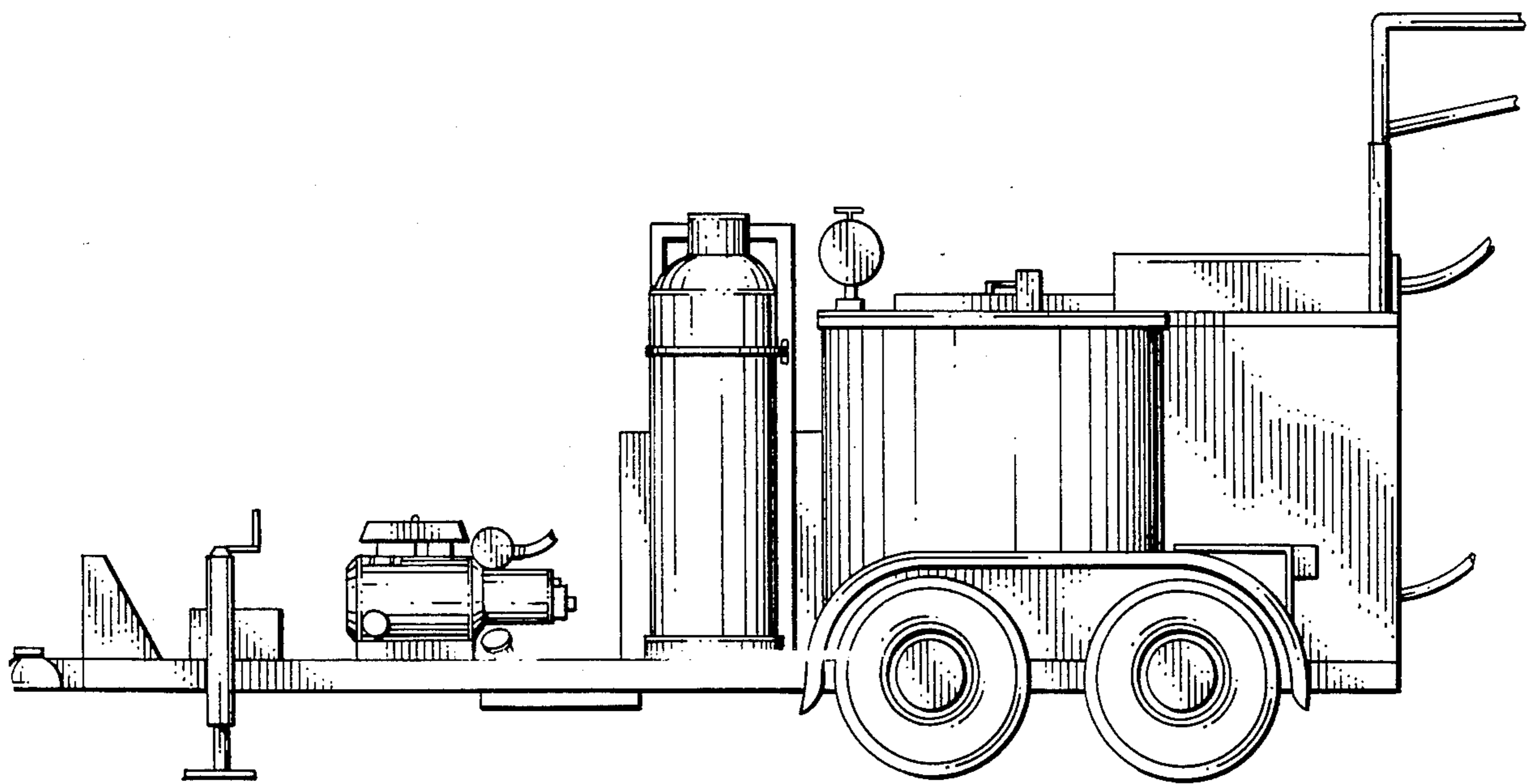


FIG. 2



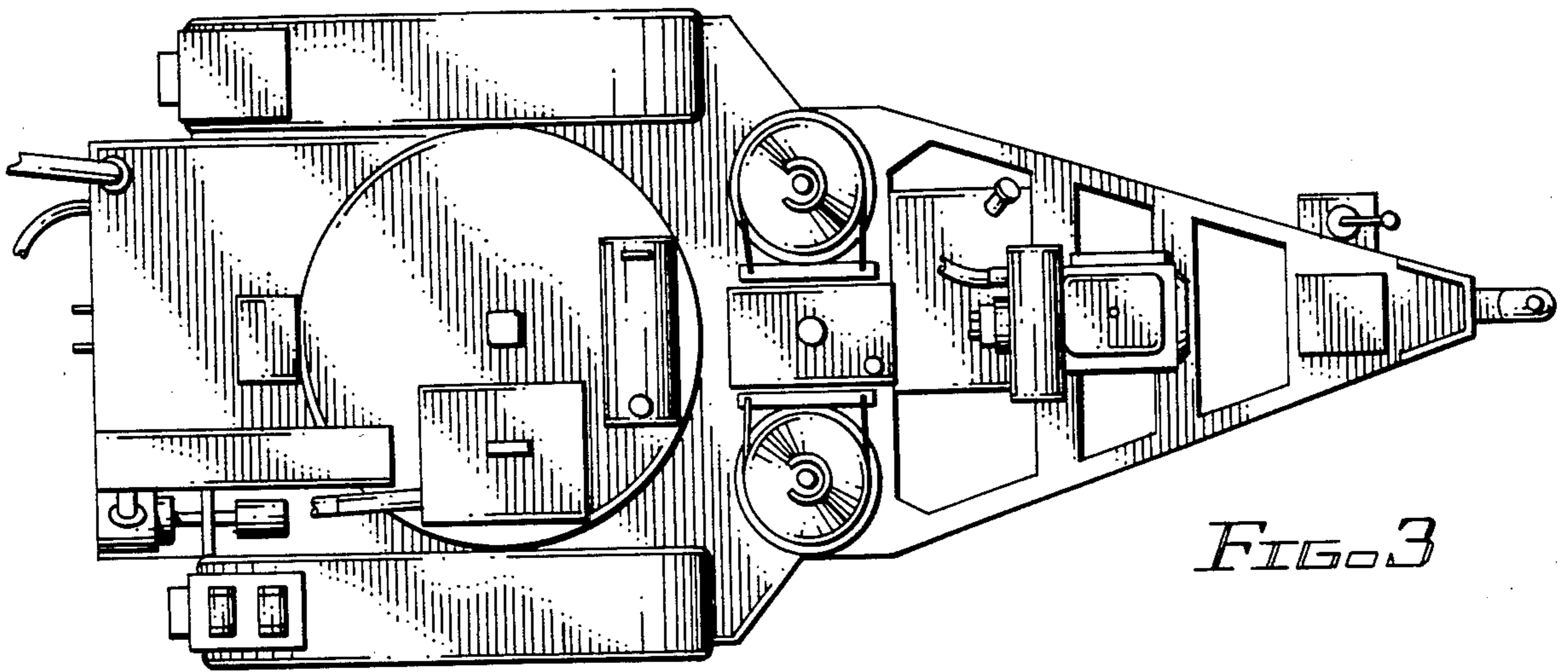


FIG. 3

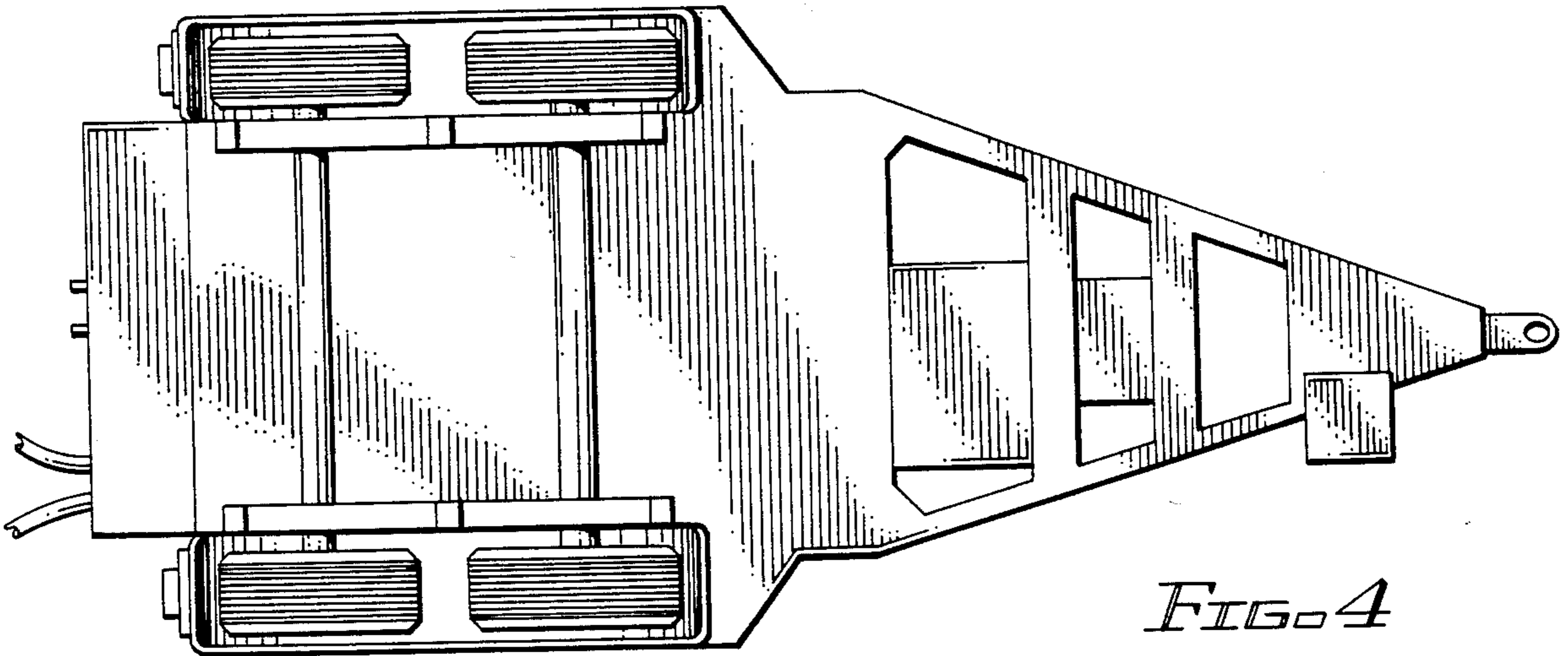


FIG. 4

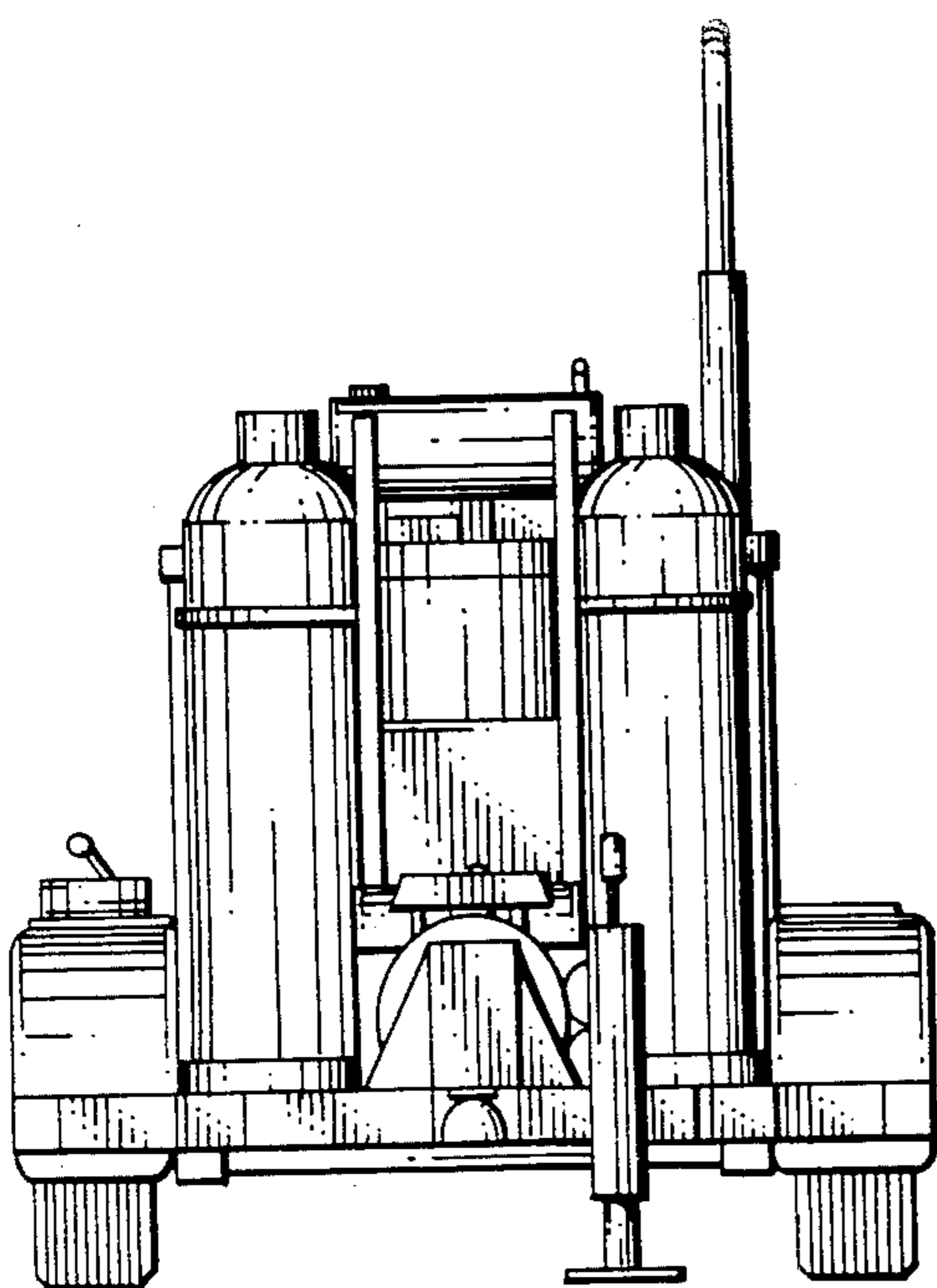


FIG. 5

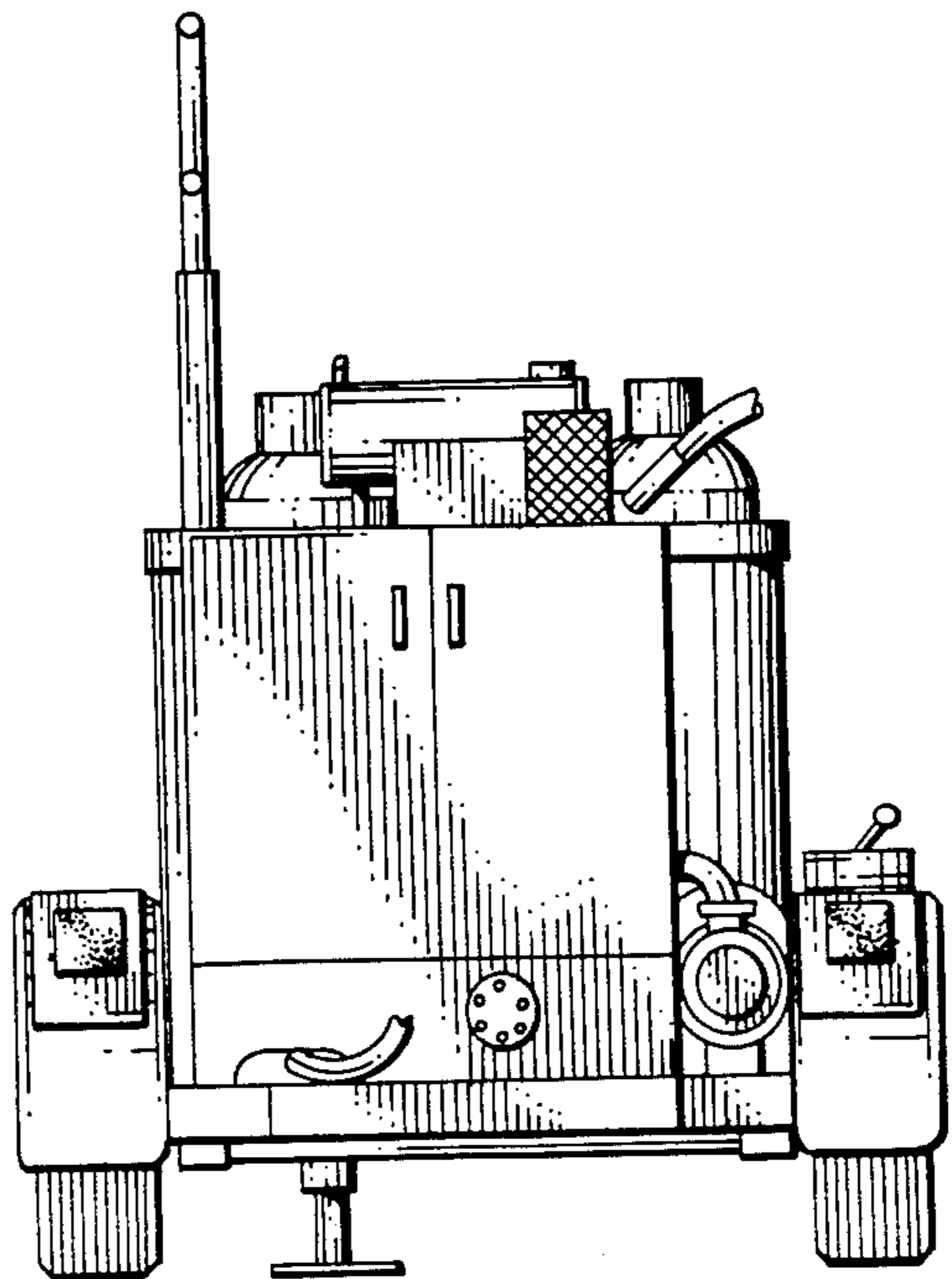


FIG. 6