

[54] CREDIT CARD AUTHORIZATION/DATA CAPTURE TERMINAL

[75] Inventors: David A. Stark, Apple Valley, Minn.; Laurance F. Plaskan, West Bend, Wis.

[73] Assignee: DataCard Corporation, Minnetonka, Minn.

[\*\*] Term: 14 Years

[21] Appl. No.: 832,162

[22] Filed: Feb. 26, 1986

[52] U.S. Cl. .... D14/105

[58] Field of Search ..... D14/100, 105, 106, 107; D18/14, 15; 235/379, 380, 381, 382, 449, 454, 462, 470, 482

[56] References Cited

U.S. PATENT DOCUMENTS

D. 257,146	9/1980	Valestin .....	D14/106
D. 264,467	5/1982	Fischer .....	D14/105
D. 290,124	6/1987	Wilson et al. ....	D14/105
4,659,914	4/1987	Kondo et al. ....	235/379 X

OTHER PUBLICATIONS

MAX Brochure, Combined Authorization Terminal and Imprinter.

Primary Examiner—Susan J. Lucas  
Attorney, Agent, or Firm—Merchant, Gould, Smith, Edell, Welter & Schmidt

[57] CLAIM

The ornamental design for a credit card authorization data capture terminal, as shown and described.

DESCRIPTION

FIG. 1 is a top front and left side perspective view of a credit card authorization/data capture terminal showing our new design;

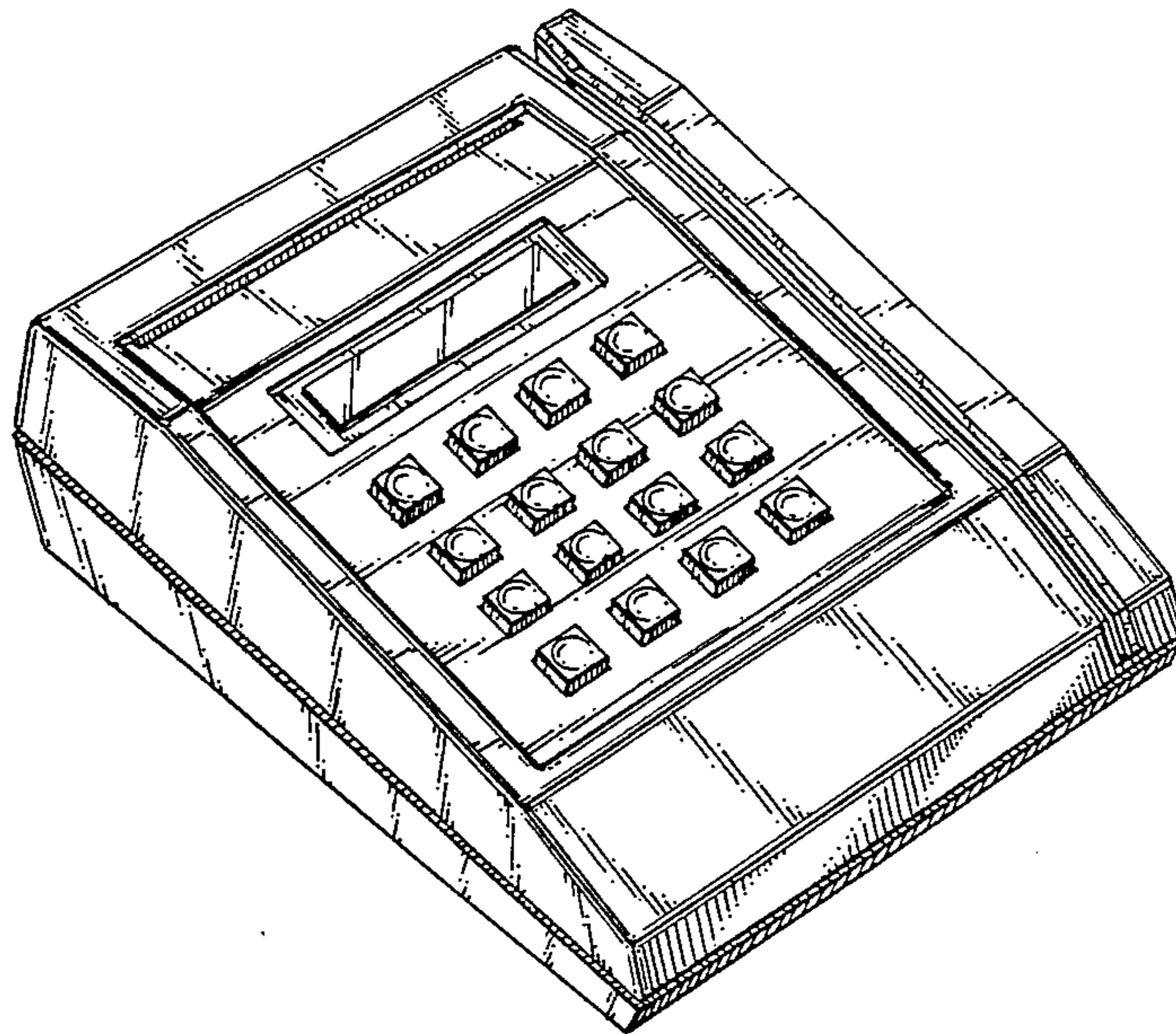
FIG. 2 is a front elevational view thereof on an enlarged scale;

FIG. 3 is a rear elevational view thereof on an enlarged scale;

FIG. 4 is a top plan view thereof on an enlarged scale;

FIG. 5 is a right side elevational view thereof on an enlarged scale, the left side being a mirror image;

FIG. 6 is a bottom plan view thereof on an enlarged scale.



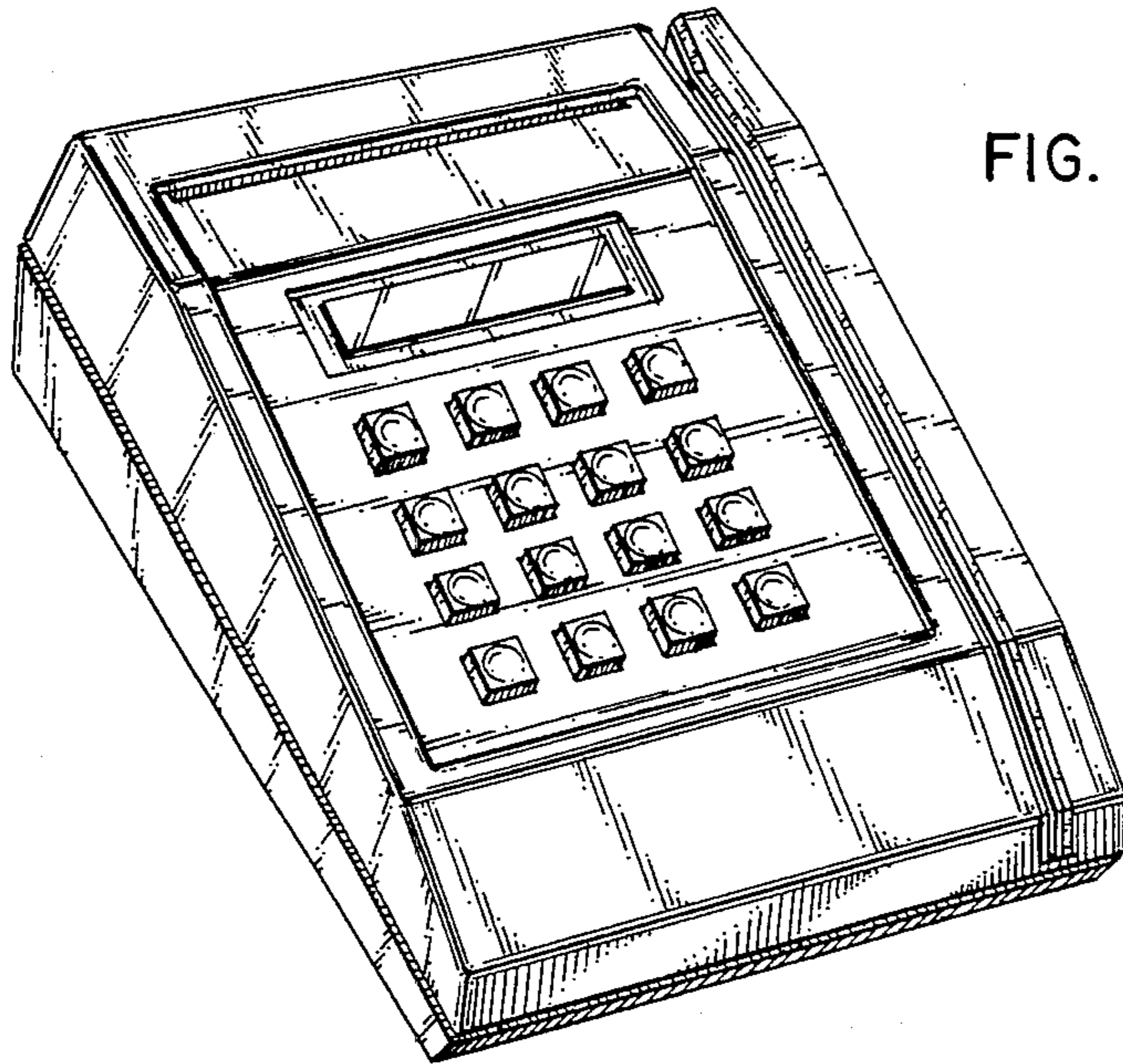


FIG. 1

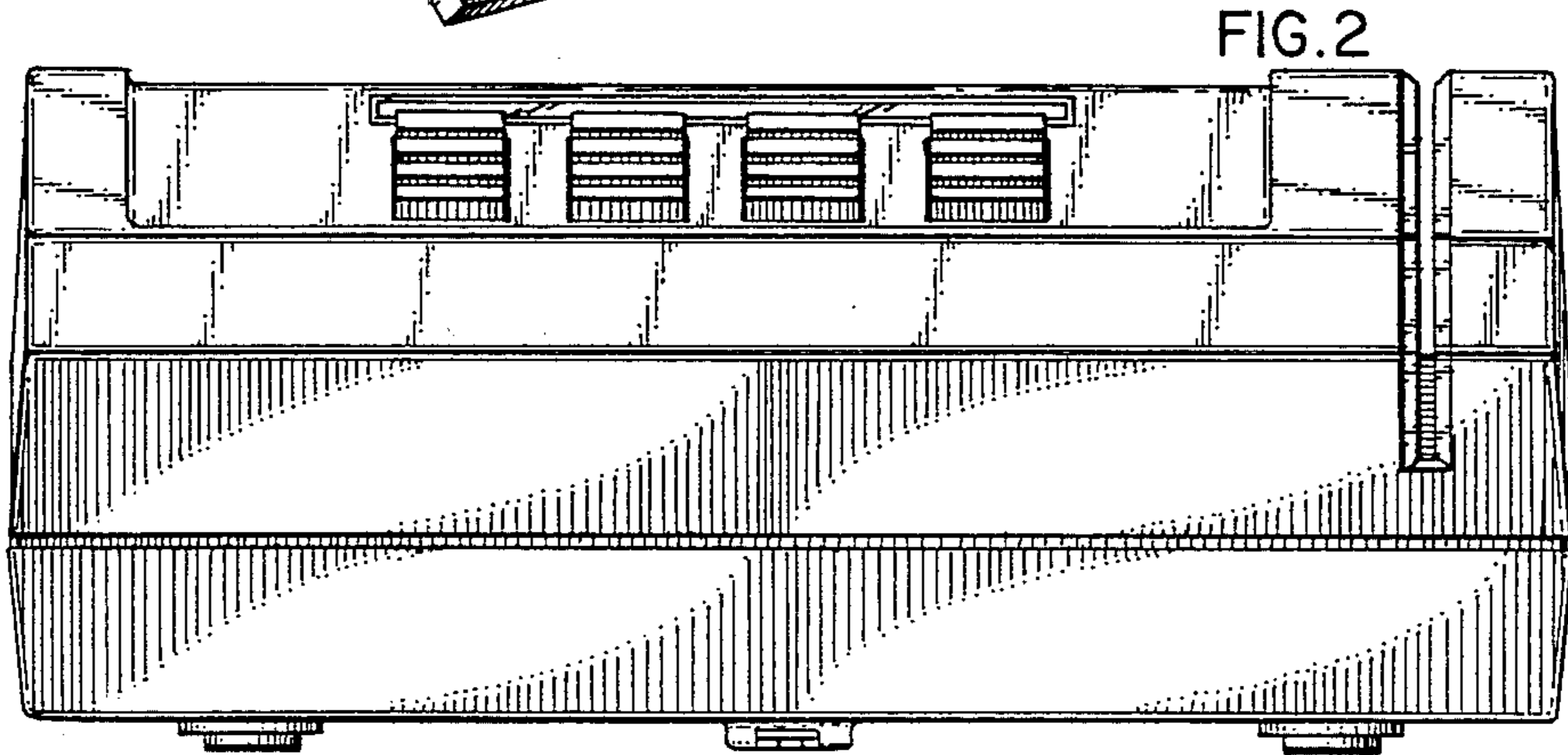


FIG. 2

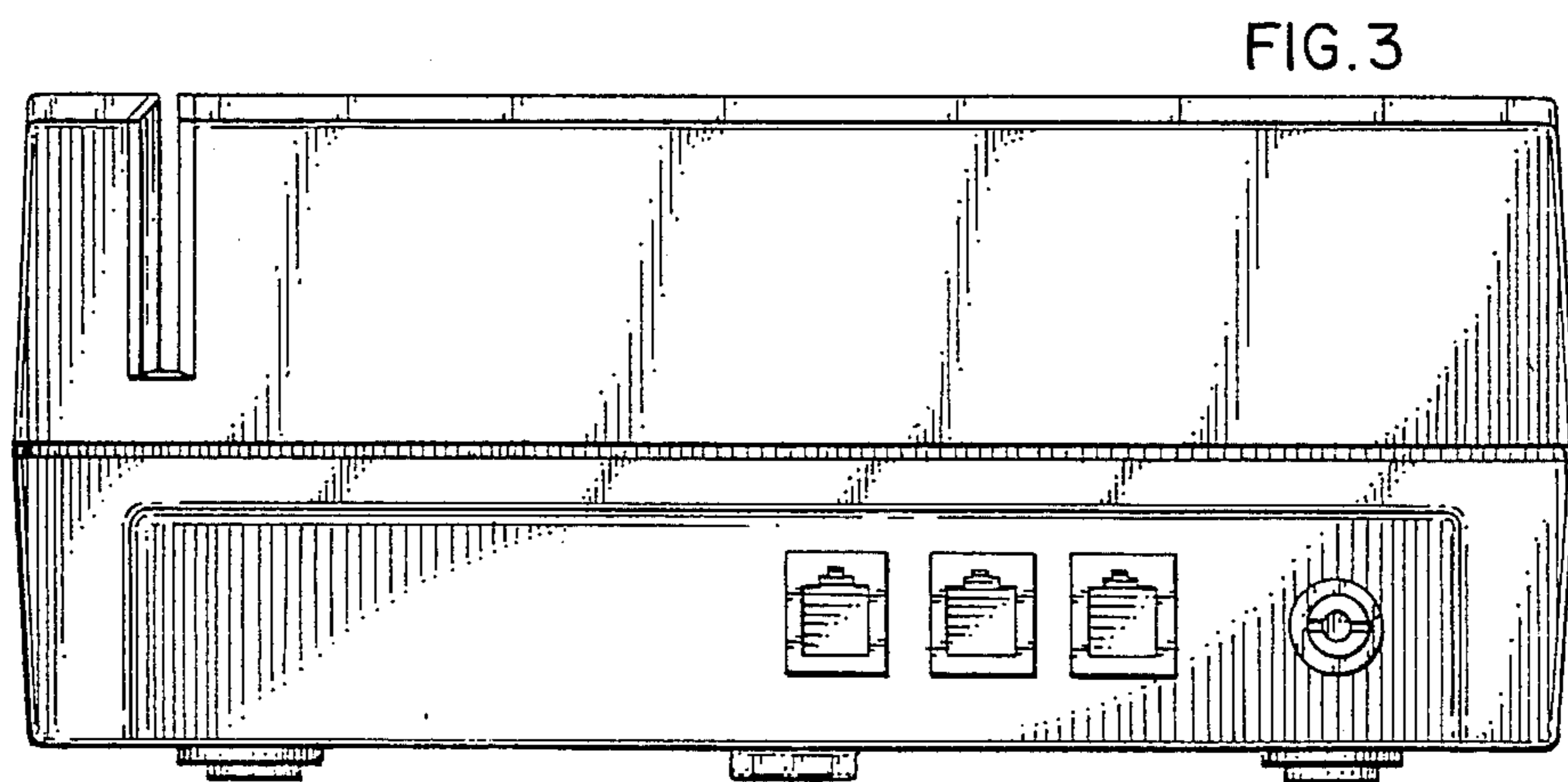


FIG. 3

FIG. 4

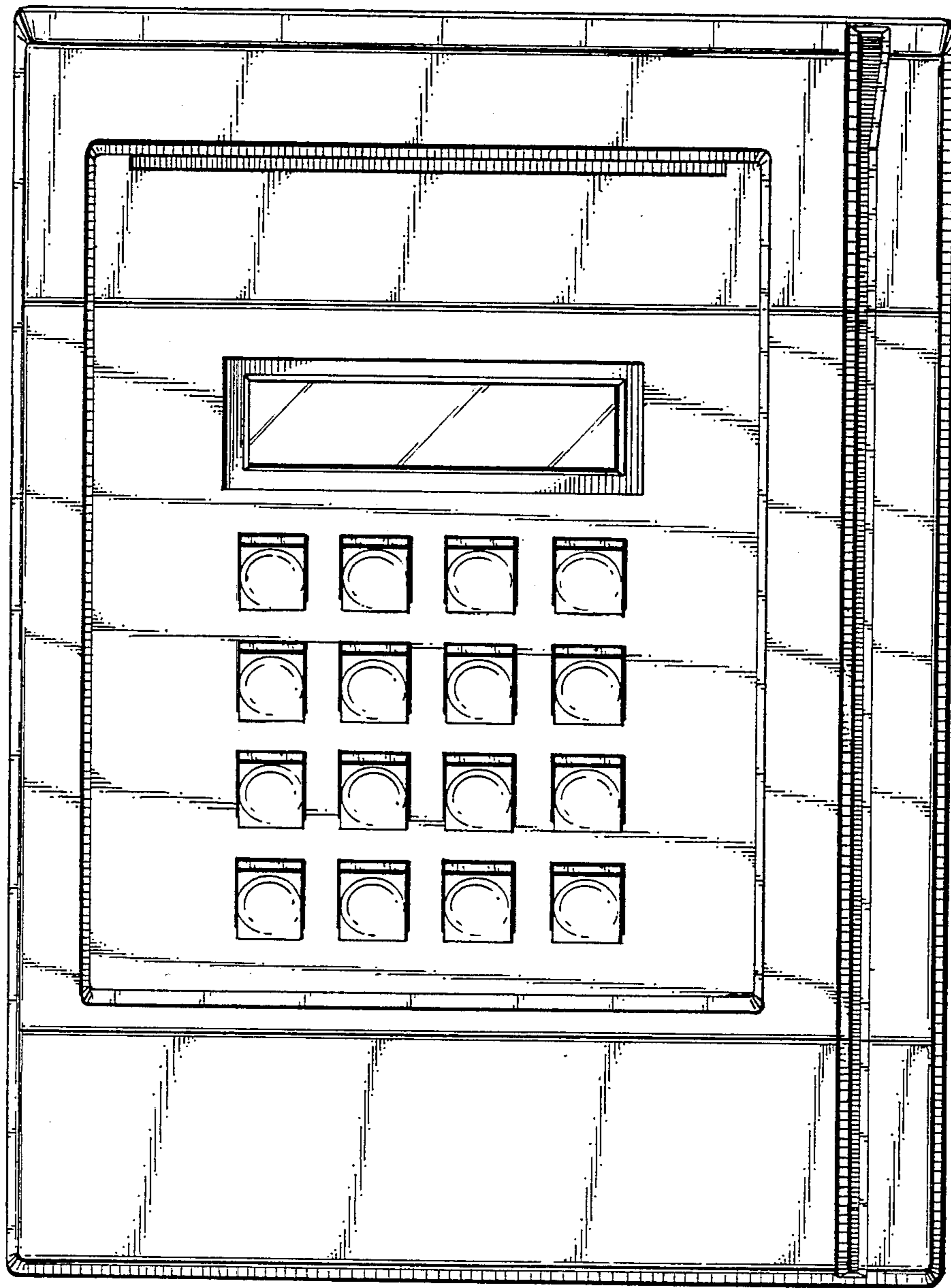


FIG. 5

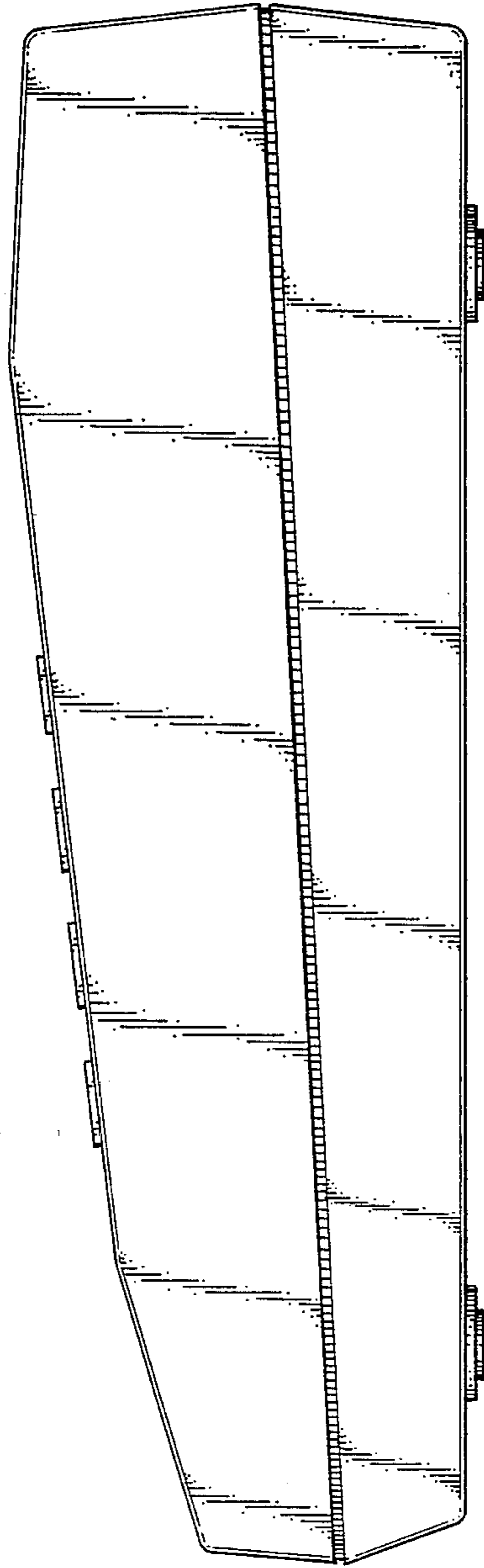


FIG. 6

