

[54] KEY TELEPHONE SET WITH SPEAKER PHONE

[75] Inventors: Kenichi Morikawa; Masafuku Akatsu; Tatsuya Kato; Seizo Ohta; Takeshi Nakatani, all of Tokyo, Japan

[73] Assignee: NEC Corporation, Tokyo, Japan

[**] Term: 14 Years

[21] Appl. No.: 26,343

[22] Filed: Mar. 12, 1987

[30] Foreign Application Priority Data

Sep. 12, 1986 [JP] Japan 61-36343

[52] U.S. Cl. D14/58; D14/62; D14/57; D14/65

[58] Field of Search D14/52, 53, 62, 60, D14/58, 63, 59, 65; 379/419, 421, 428, 432, 433, 434, 435, 436, 440, 454

[56] References Cited

U.S. PATENT DOCUMENTS

- D. 276,338 11/1984 Pardo D14/59
- D. 279,289 6/1985 Bhat et al. D14/63 X
- D. 282,841 3/1986 Inaka D14/53 X
- D. 283,508 4/1986 Miyaka D14/62 X
- D. 284,078 6/1986 Yamagami et al. D14/53
- D. 286,875 11/1986 Cameron D14/53
- D. 290,700 7/1987 Lindahl D14/53

- D. 291,565 8/1987 Okuda D14/58
- D. 294,351 2/1988 Richter et al. D14/58 X
- 4,445,008 4/1984 Rocca et al. D14/63 UX
- 4,568,801 2/1986 Gates et al. D14/65 UX

FOREIGN PATENT DOCUMENTS

2326283 12/1974 Fed. Rep. of Germany 379/435

OTHER PUBLICATIONS

Tele-Product News; Ultra Dial by Buscom. B. A. Pargh Co. Inc. 1983 Catalog, Panasonic at page 37; Nos. KXT 2010; KXT 2220; KXT 2130.

Primary Examiner—Horace B. Fay
Attorney, Agent, or Firm—Sughrue, Mion, Zinn, Macpeak & Seas

[57] CLAIM

The ornamental design for key telephone set with speakerphone, as shown and described.

DESCRIPTION

FIG. 1 is a front elevational view of a key telephone set with speakerphone showing our new design in cradled relationship;
FIG. 2 is a top plan view thereof;
FIG. 3 is a rear elevational view thereof;
FIGS. 4 and 5 are respectively right and left side elevational views thereof;
FIG. 6 is a bottom plan view thereof; and
FIG. 7 is a front, top and right side perspective view thereof.

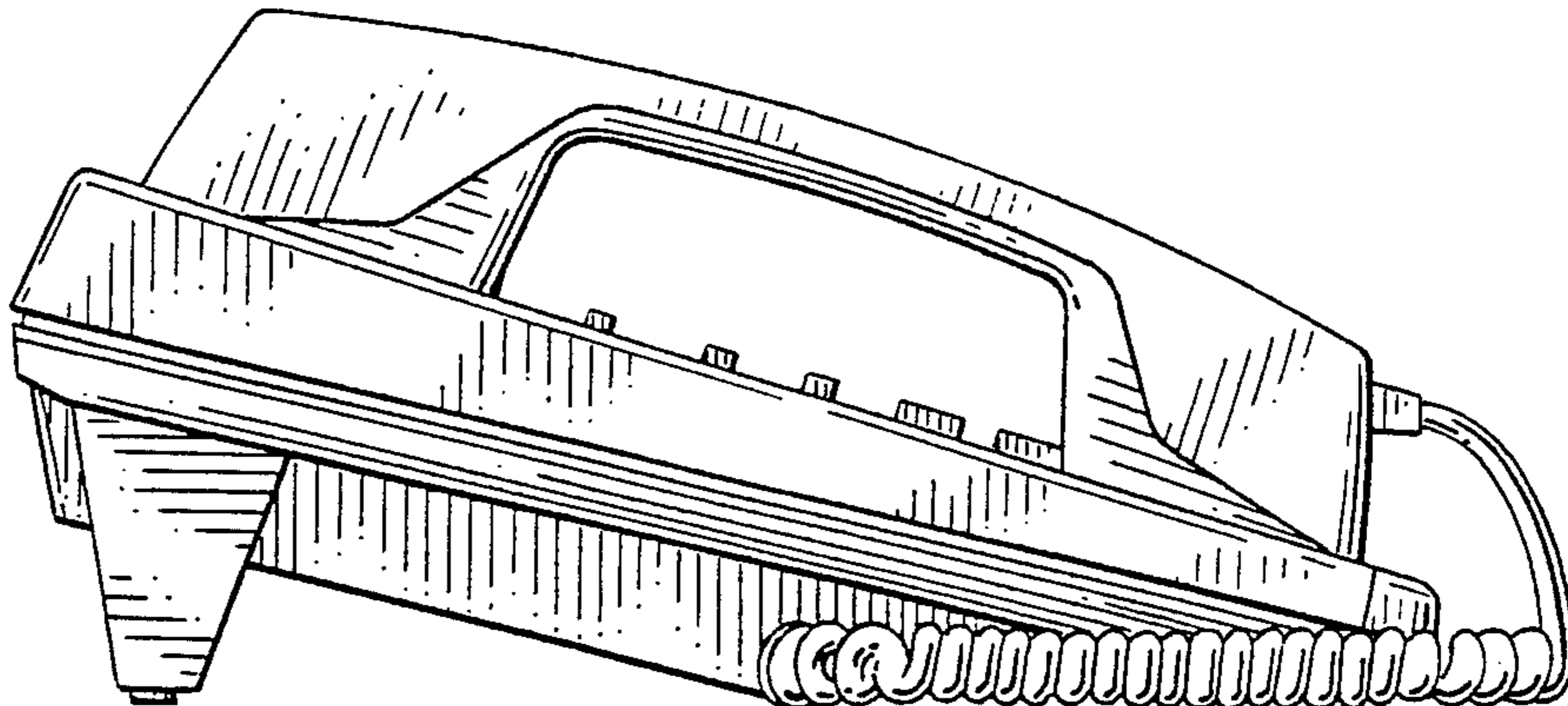
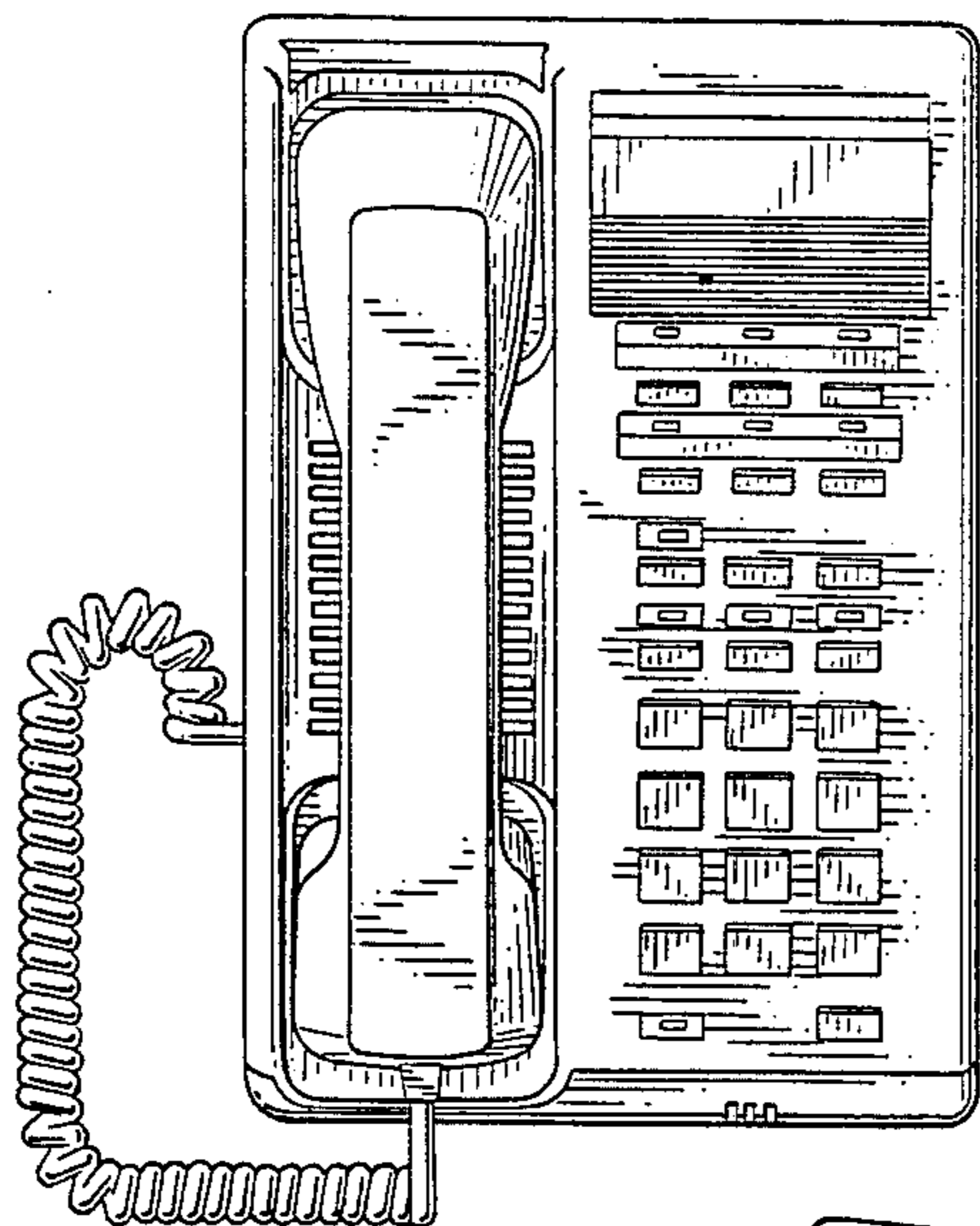


FIG. 1

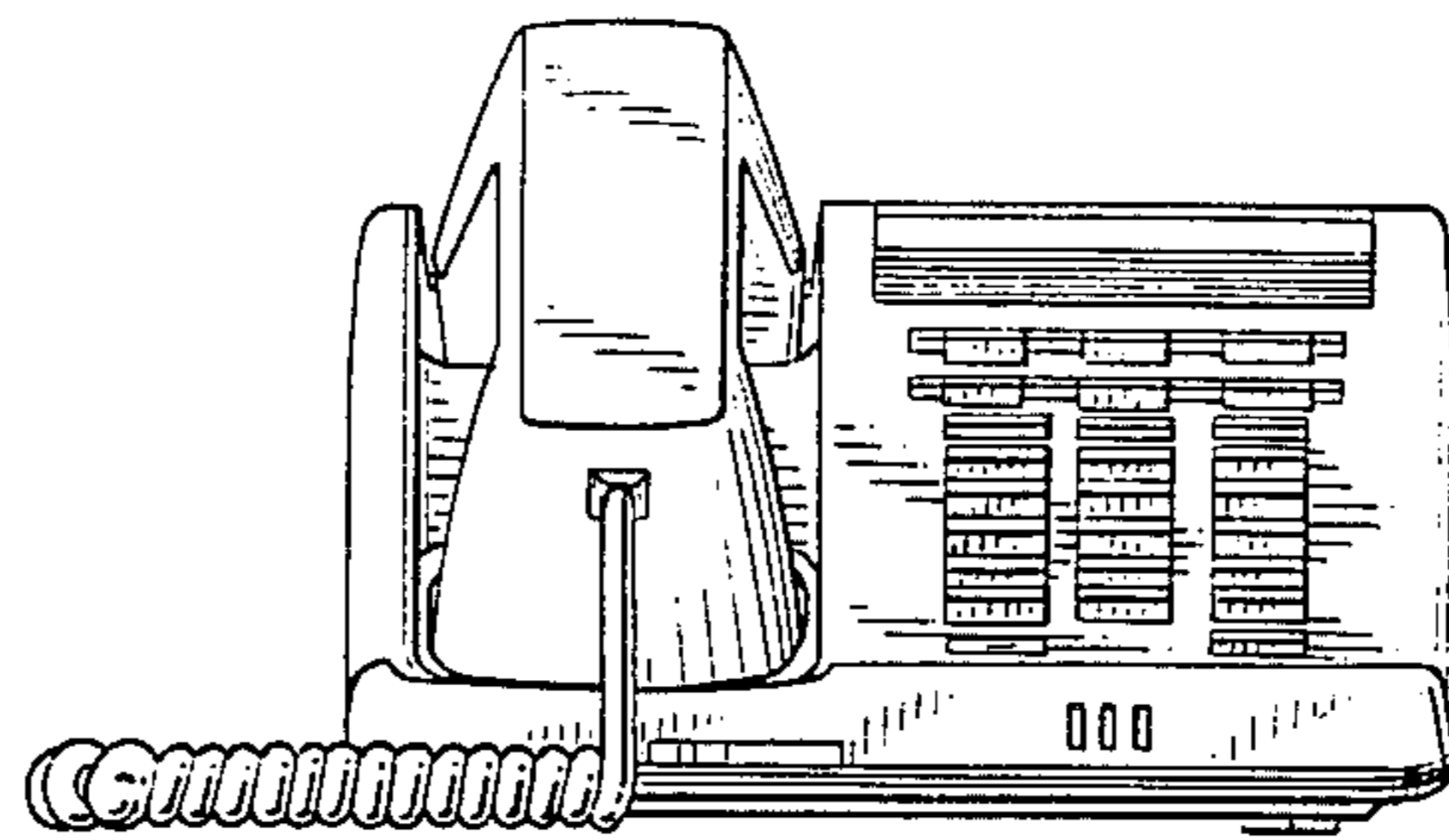


FIG. 2

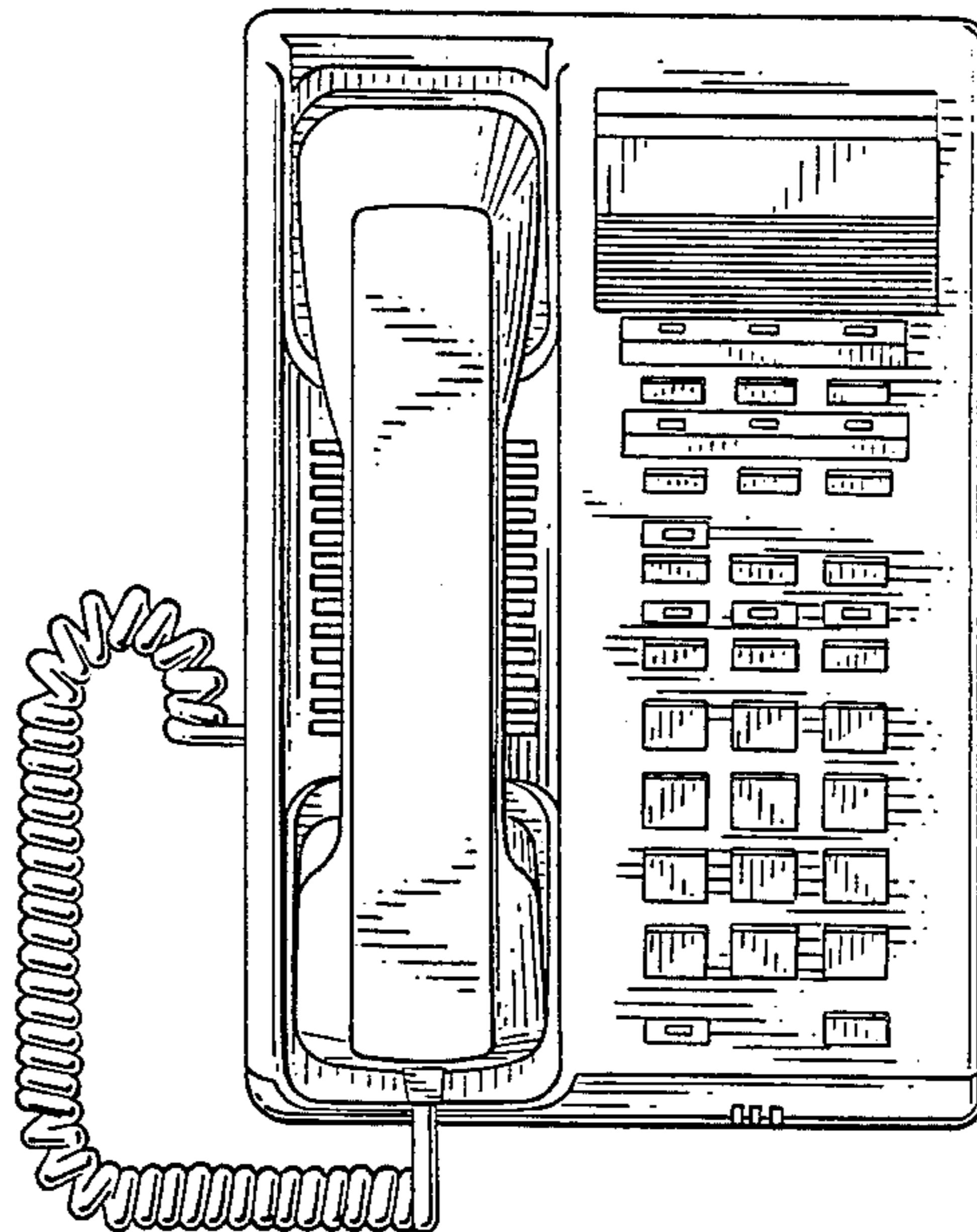


FIG. 3

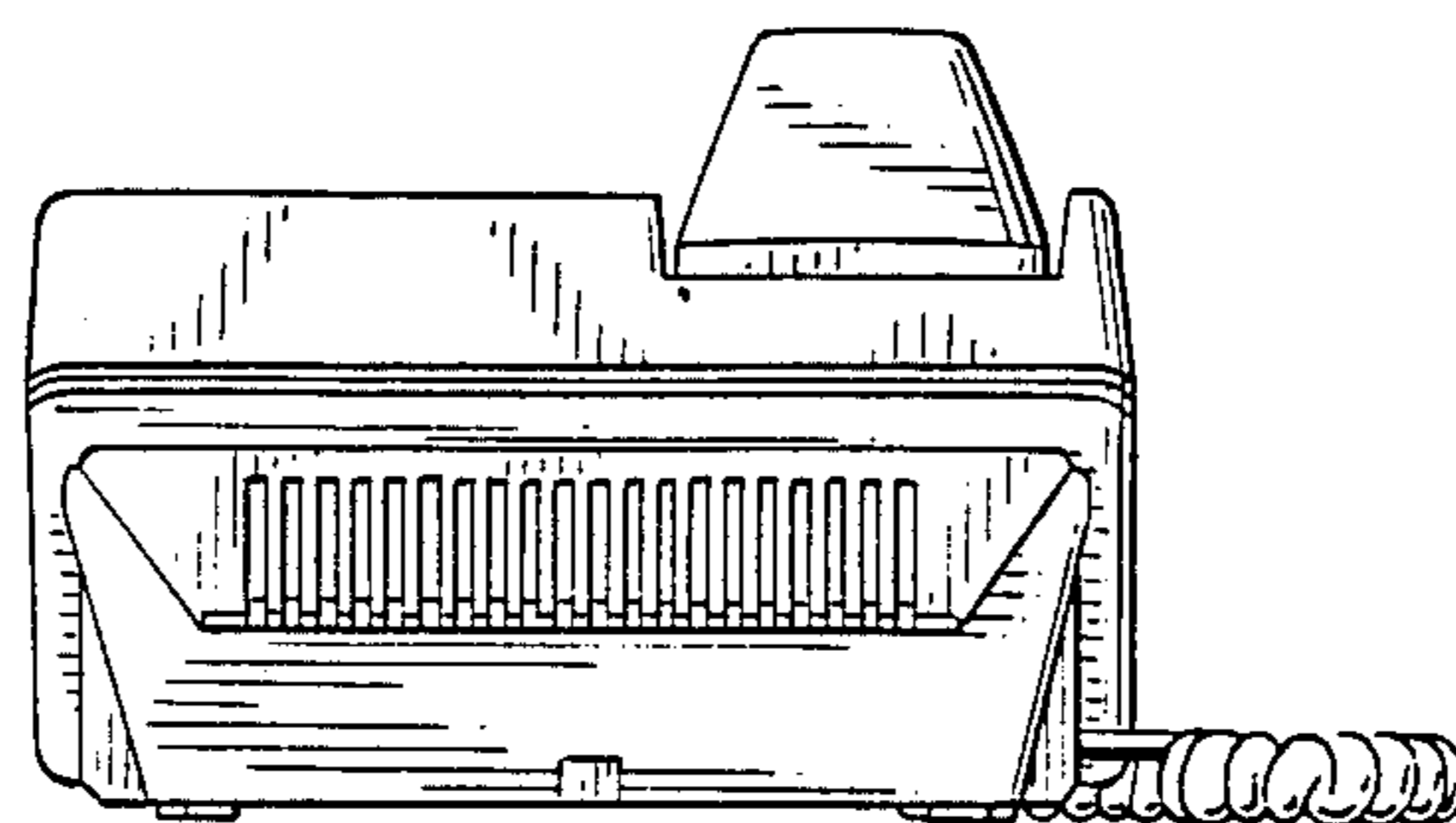


FIG. 4

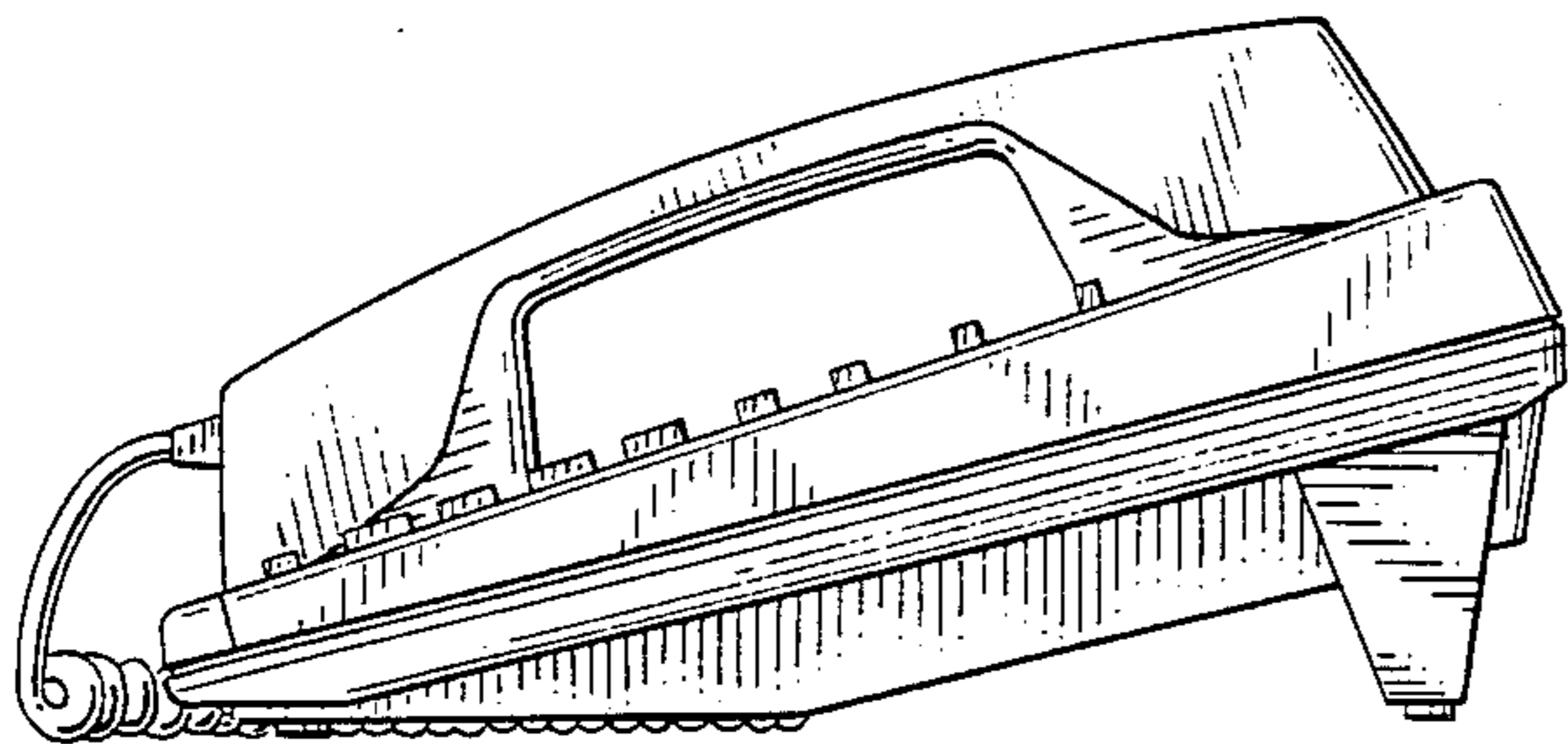


FIG. 5

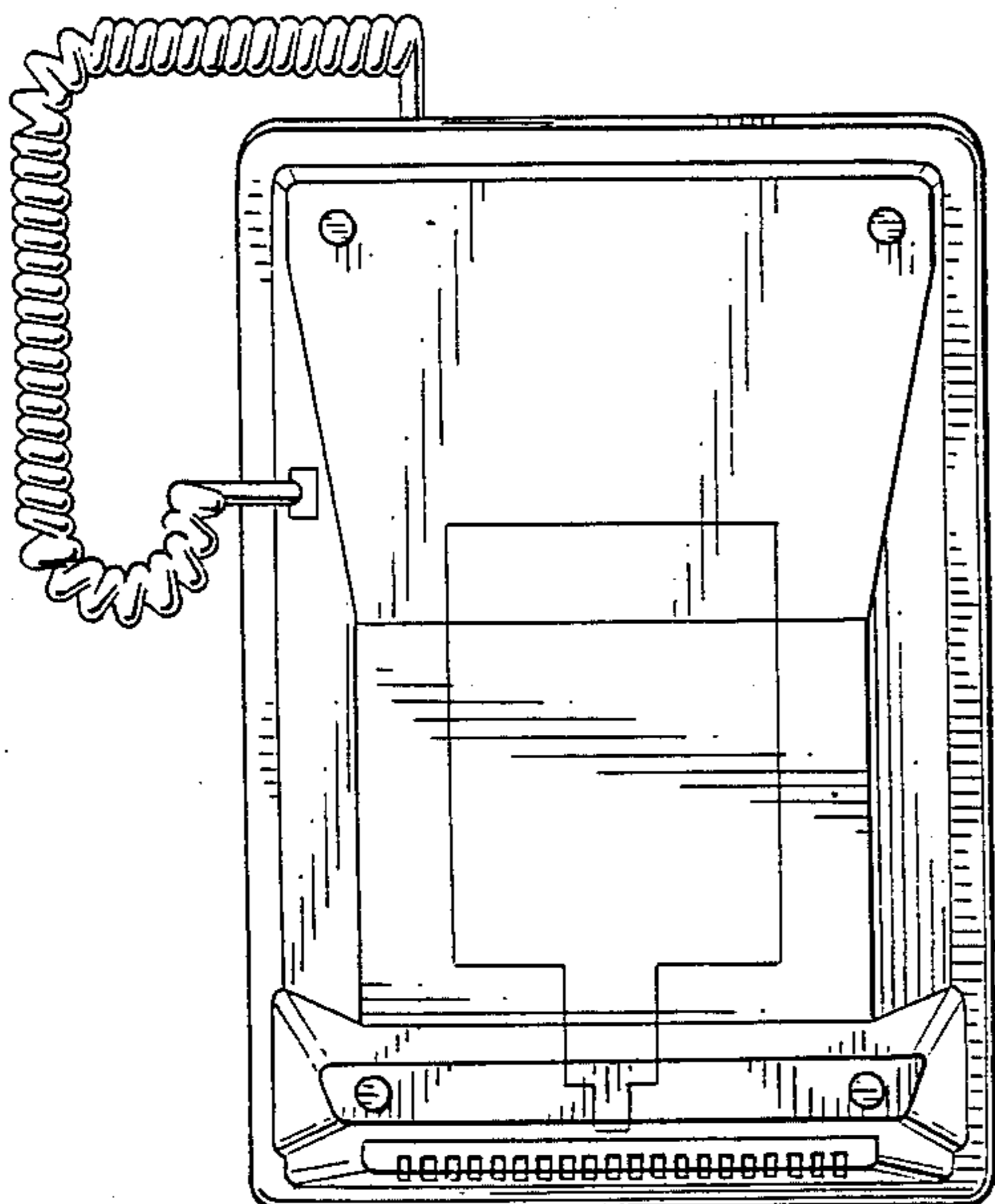
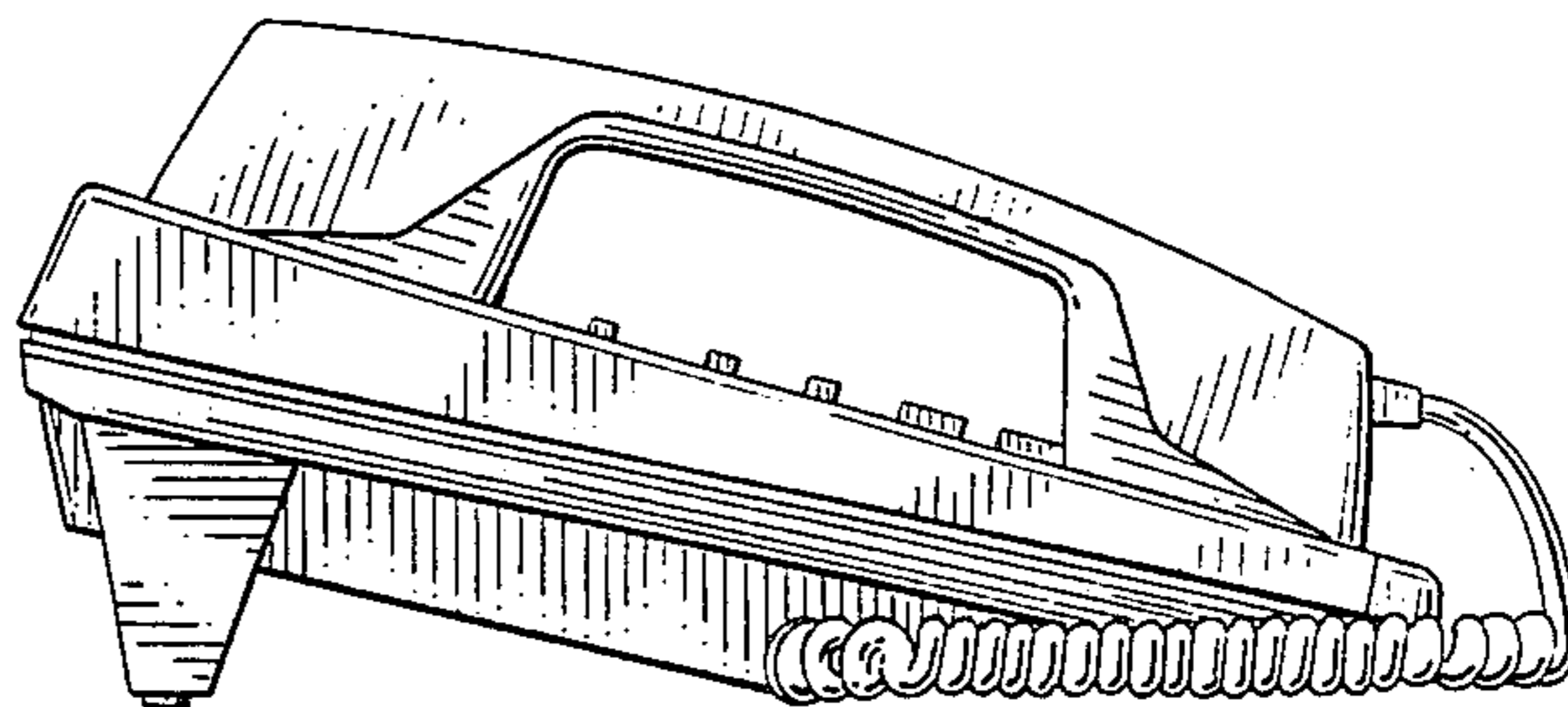


FIG. 6

FIG. 7

