

[54] COMBINED RADIO AND CASSETTE RECORDER

D. 276,804 12/1984 Taniguchi et al. D14/5
3,475,066 10/1969 Billingsley et al. 455/350 X

[75] Inventors: Murray I. C. Camens,
's-Hertogenbosch; Graham J. Hinde,
Nuenen, both of Netherlands

[73] Assignee: U.S. Philips Corp., New York, N.Y.

[**] Term: 14 Years

[21] Appl. No.: 825,850

[22] Filed: Feb. 4, 1986

[30] Foreign Application Priority Data

Aug. 16, 1985 [XB] Benelux 60293-00

[52] U.S. Cl. D14/5; D14/70;
D14/72

[58] Field of Search D14/1, 2, 3, 5, 6, 68,
D14/70, 71, 72, 75, 99; 455/344, 350, 351

[56] References Cited

U.S. PATENT DOCUMENTS

D. 268,755 4/1983 Culbertson D14/5

OTHER PUBLICATIONS

Best Products Sale Catalog, p. 38, Item 4.

Primary Examiner—Bernard Ansher
Assistant Examiner—Theodore M. Shooman
Attorney, Agent, or Firm—Robert T. Mayer

[57] CLAIM

The ornamental design for a combined radio and cassette recorder, as shown.

DESCRIPTION

FIG. 1 is a front, top and right side perspective view of a combined radio and cassette recorder showing our new design;

FIG. 2 is a front elevational view thereof;

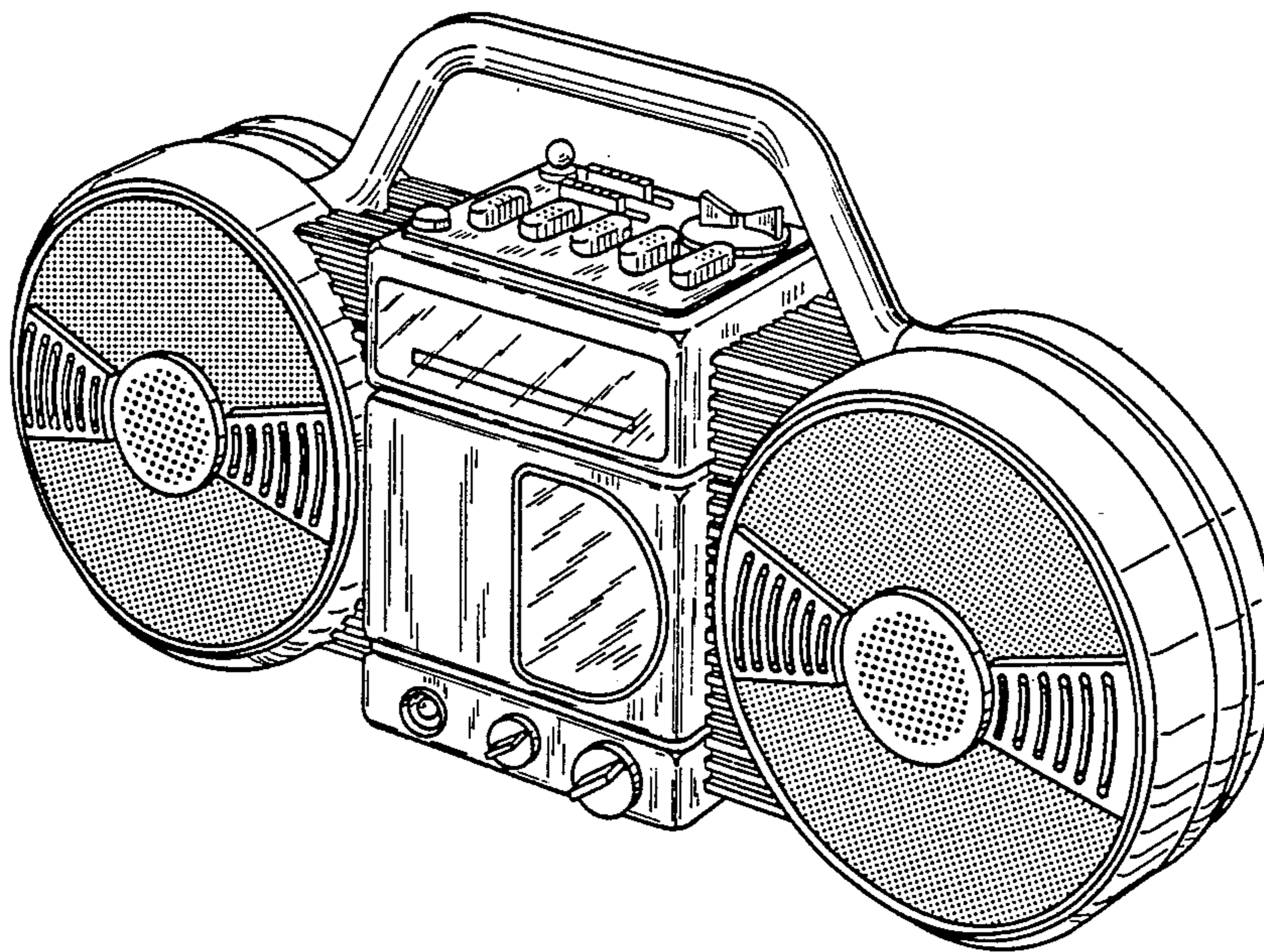
FIG. 3 is a rear elevational view thereof;

FIG. 4 is a top plan view thereof;

FIG. 5 is a bottom plan view thereof;

FIG. 6 is a right side elevational view thereof;

FIG. 7 is a left side elevational view thereof.



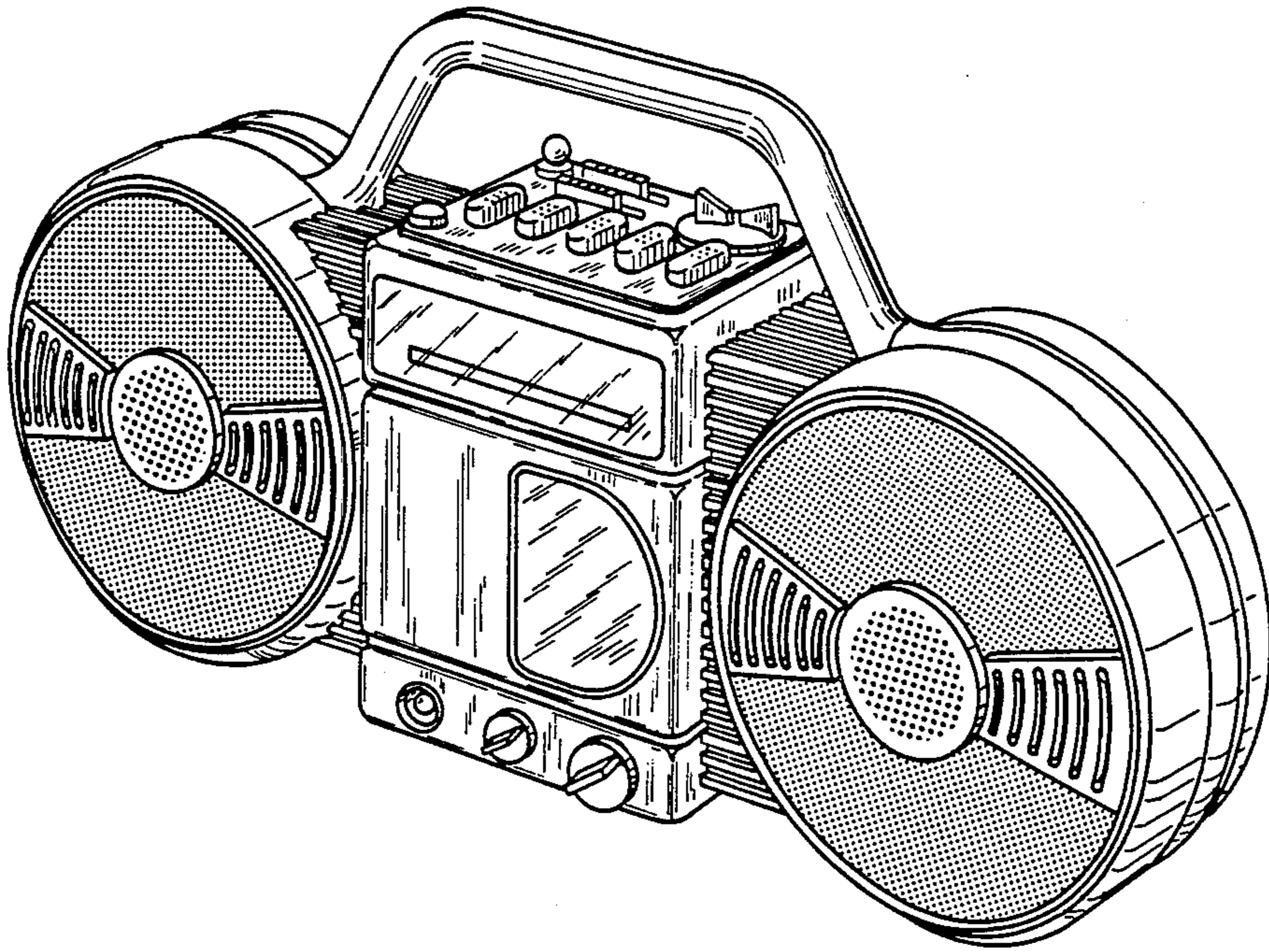


FIG.1

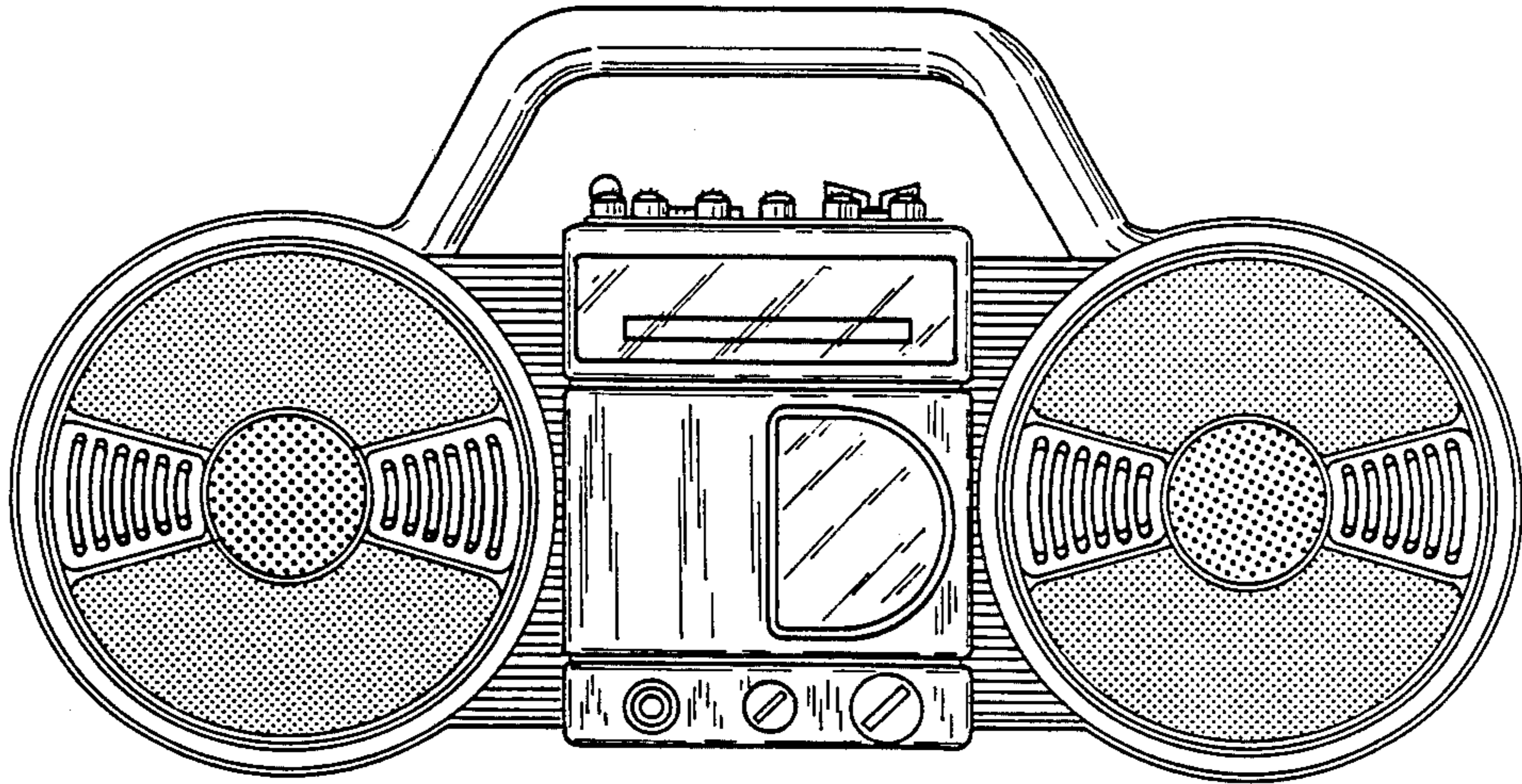


FIG. 2

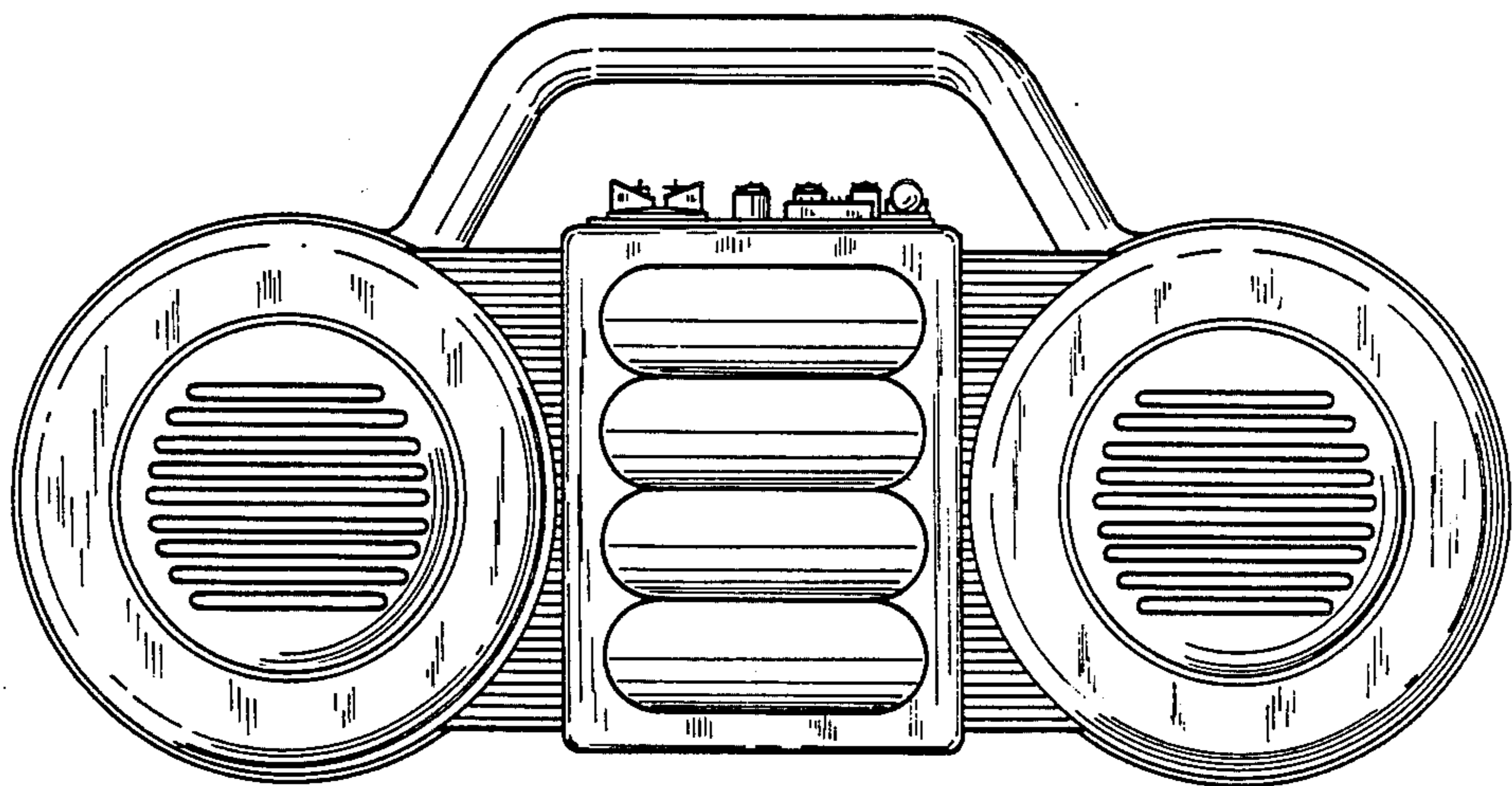


FIG. 3

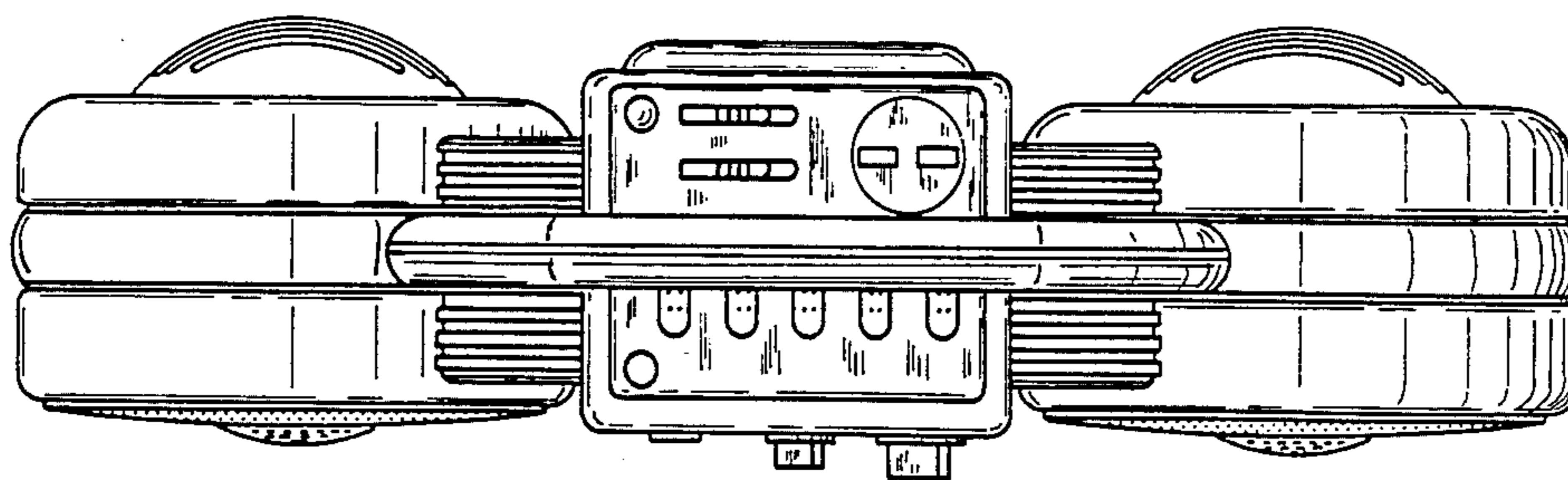


FIG. 4

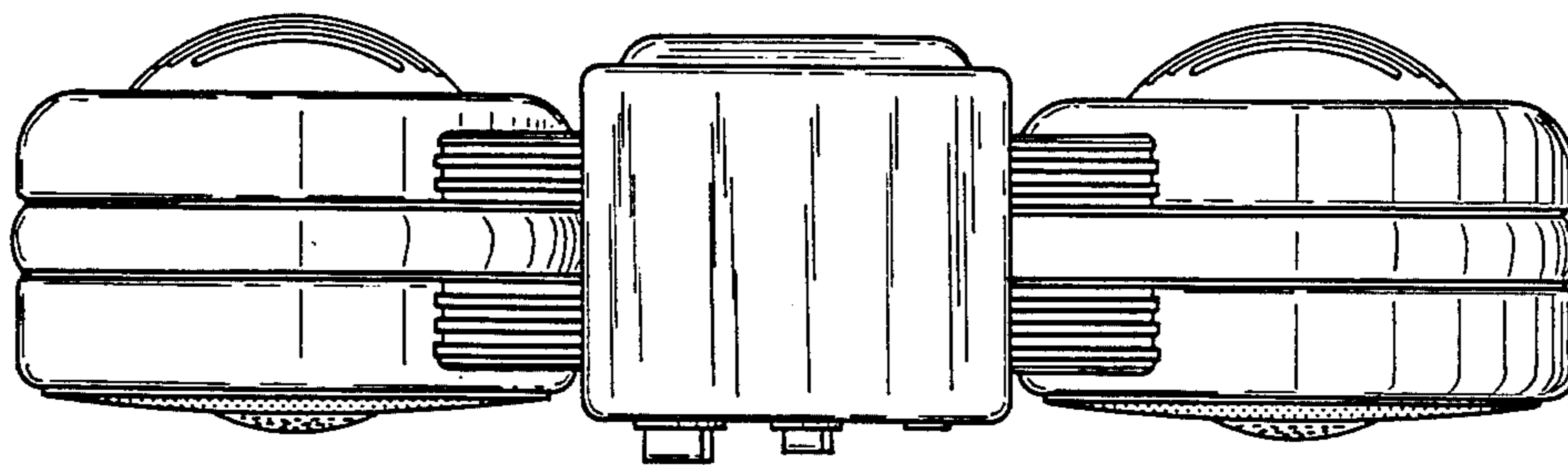


FIG. 5

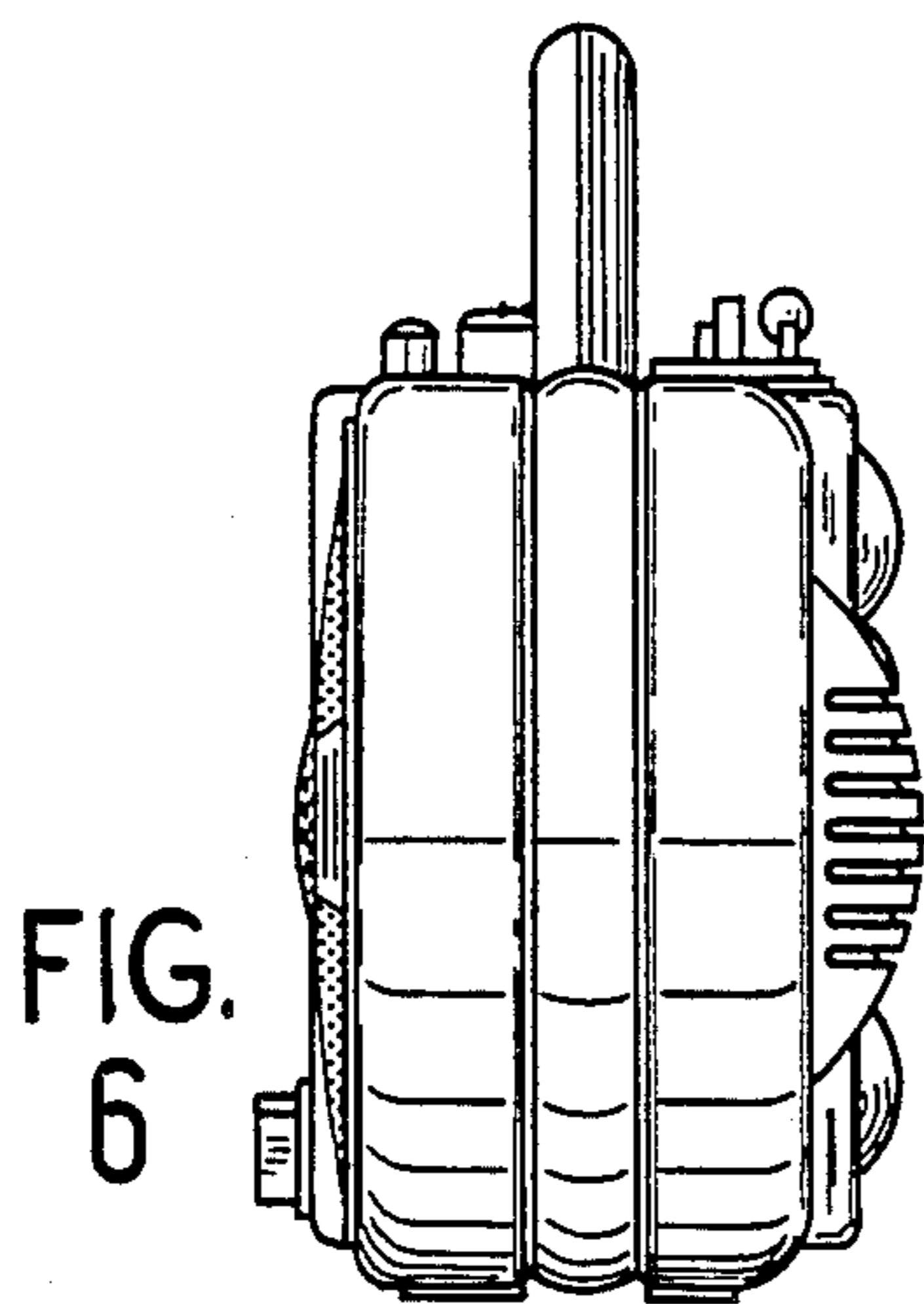


FIG. 6

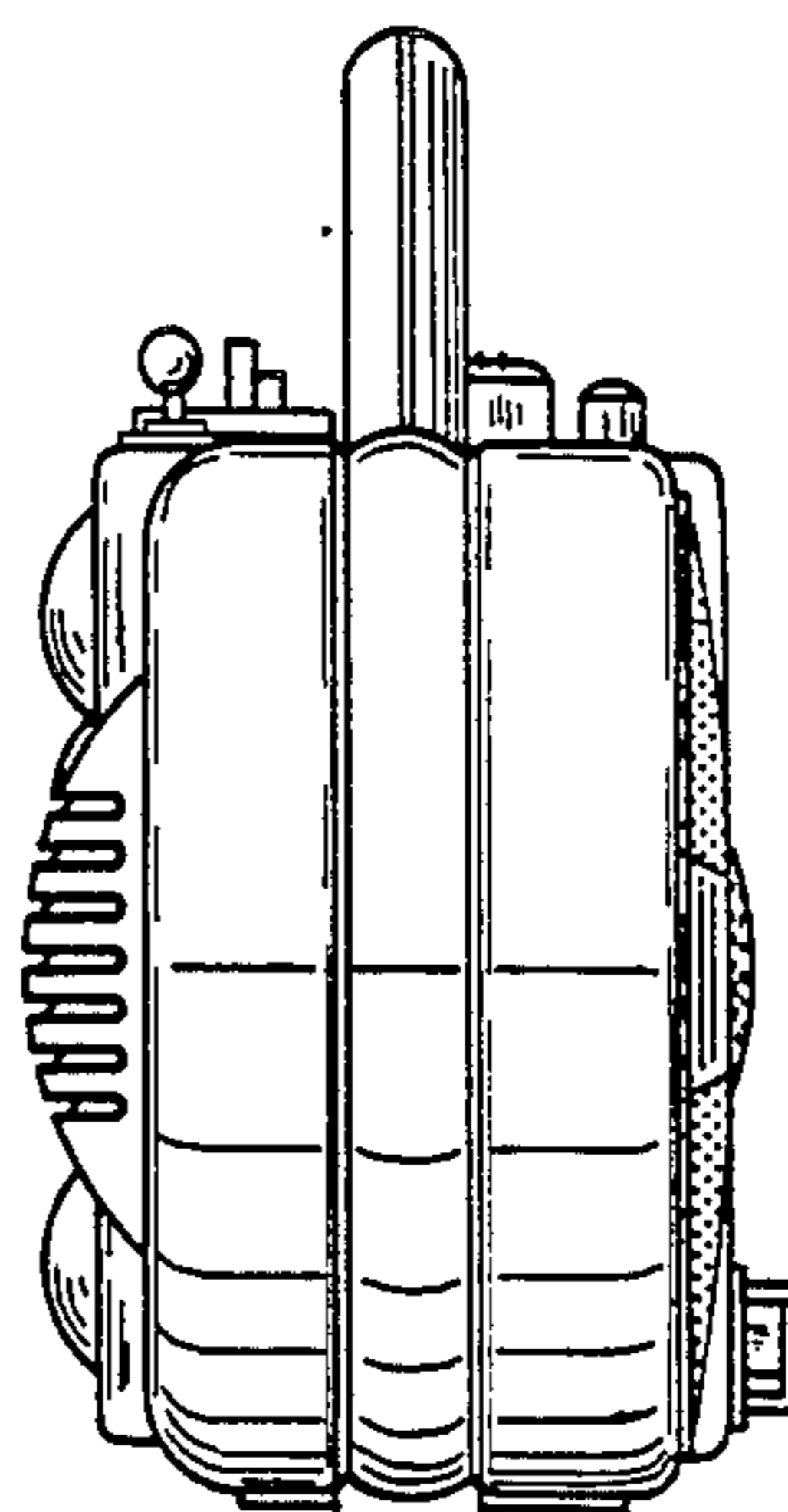


FIG. 7