

[54] ELECTRICAL PLUG

1232887 10/1960 France 439/445

[75] Inventor: Shigemi Sekiguchi, Gunma, Japan

OTHER PUBLICATIONS

[73] Assignee: Hosiden Electronics Co., Ltd., Osaka, Japan

AMP Connector Catalog #73-204 ©1983, p. 46, Flexible Cable Boots.

[**] Term: 14 Years

Primary Examiner—Wallace R. Burke
Assistant Examiner—Clare E. Heflin
Attorney, Agent, or Firm—Pollock, Vande Sande and Priddy

[21] Appl. No.: 789,550

[22] Filed: Oct. 21, 1985

[30] Foreign Application Priority Data

May 31, 1985 [JP] Japan 60-22879
[52] U.S. Cl. D13/28
[58] Field of Search D13/24-31;
439/445, 578, 460, 488

[57] CLAIM

The ornamental design for an electrical plug, substantially as shown and described.

[56] References Cited

U.S. PATENT DOCUMENTS

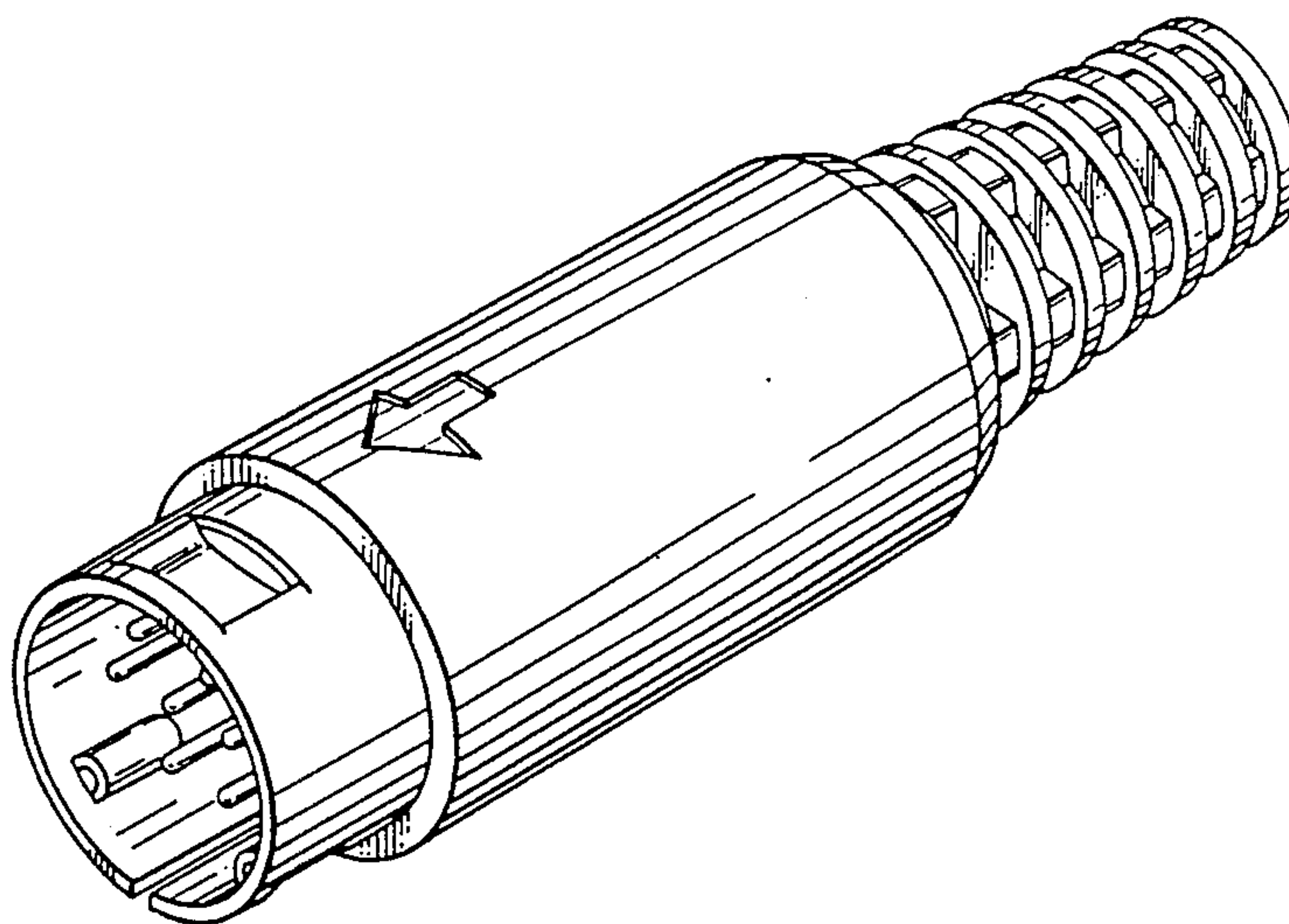
D. 210,021 1/1968 Prifogle et al. D13/24
4,270,832 6/1981 Tanabe 439/578
4,637,669 1/1987 Tajima 439/95

DESCRIPTION

FIG. 1 is a perspective view of the electrical plug showing my new design;
FIG. 2 is a top plan view thereof;
FIG. 3 is a side elevational view thereof, the opposite side being a mirror image;
FIG. 4 is a bottom plan view thereof;
FIG. 5 is a front elevational view thereof;
FIG. 6 is a rear elevational view thereof.
FIG. 7 is a cross-sectional view thereof, taken along the line 7-7 of FIG. 2.

FOREIGN PATENT DOCUMENTS

2843403 4/1980 Fed. Rep. of Germany 439/460



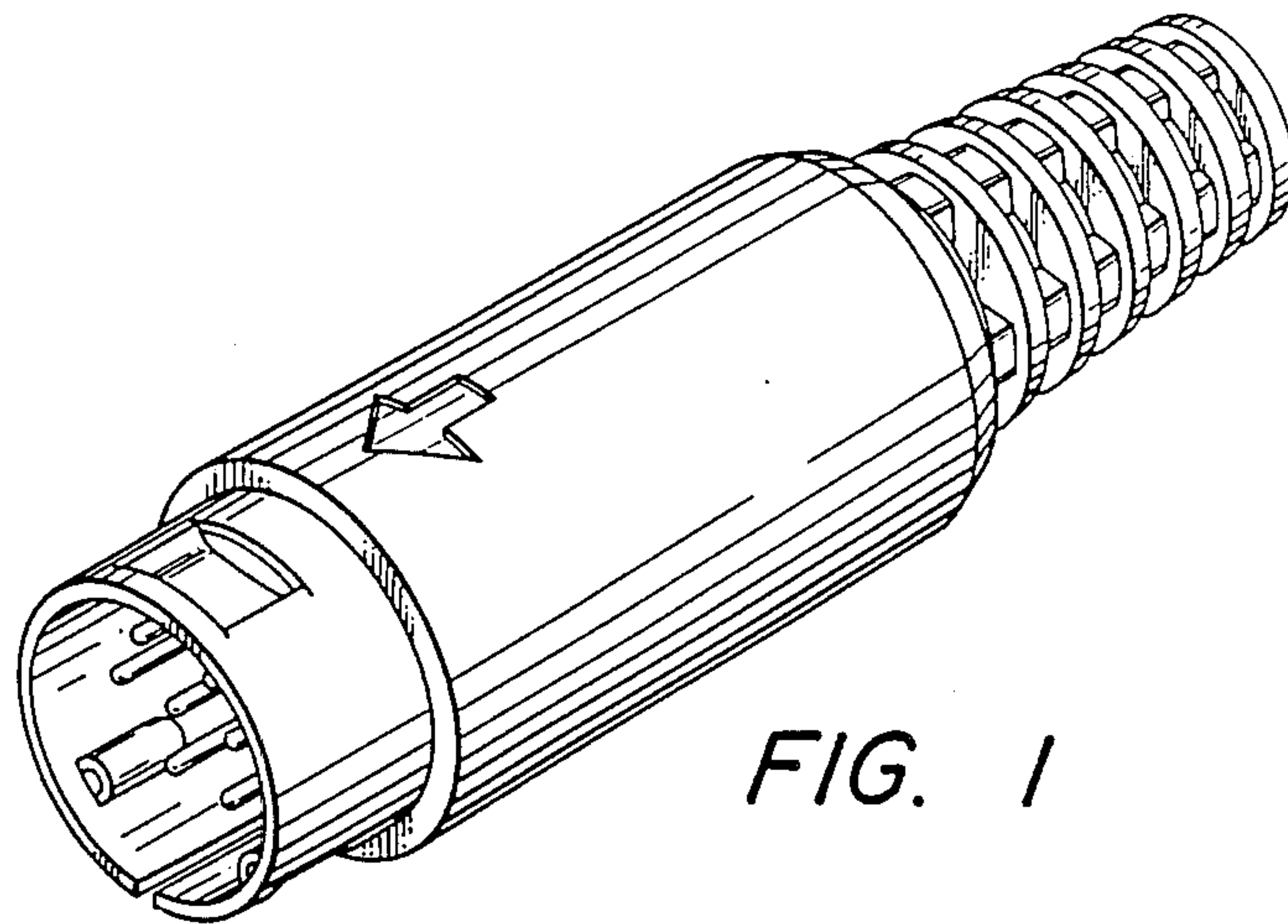


FIG. 1

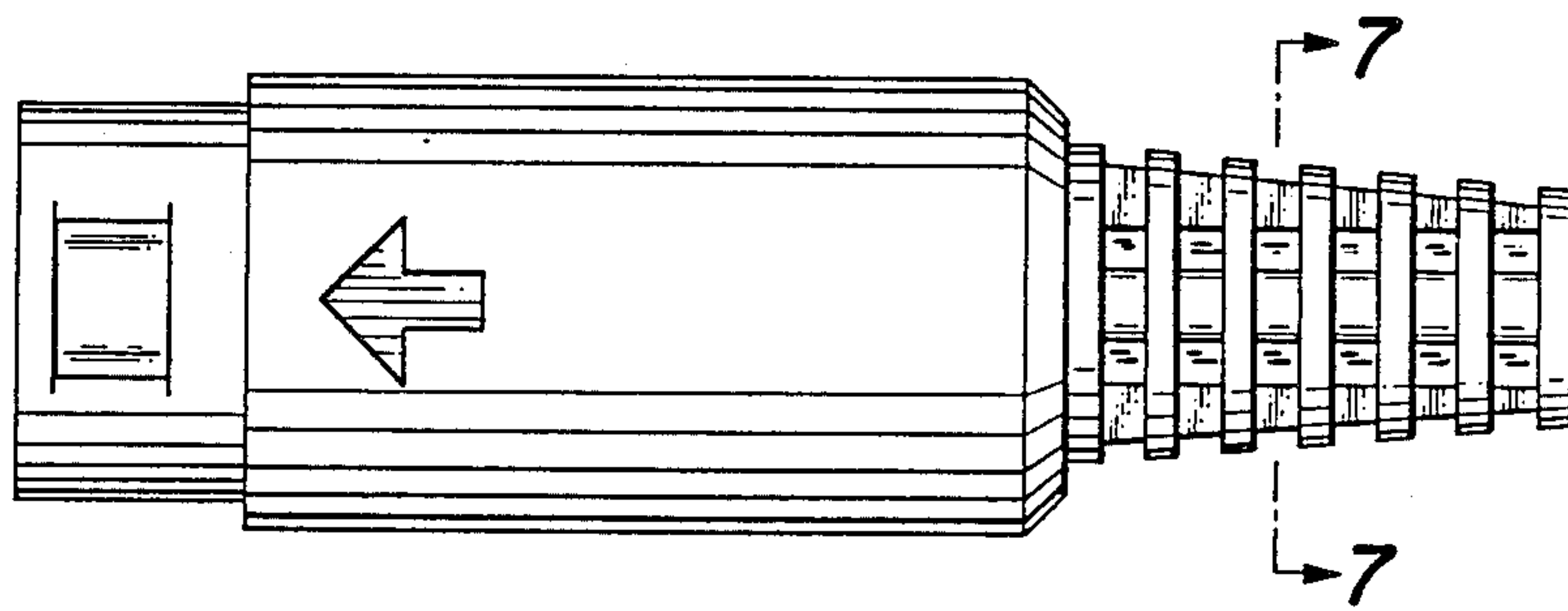


FIG. 2

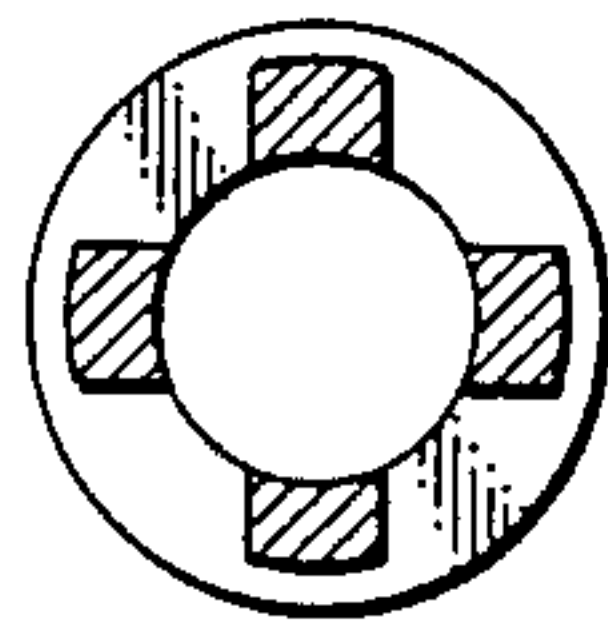


FIG. 7

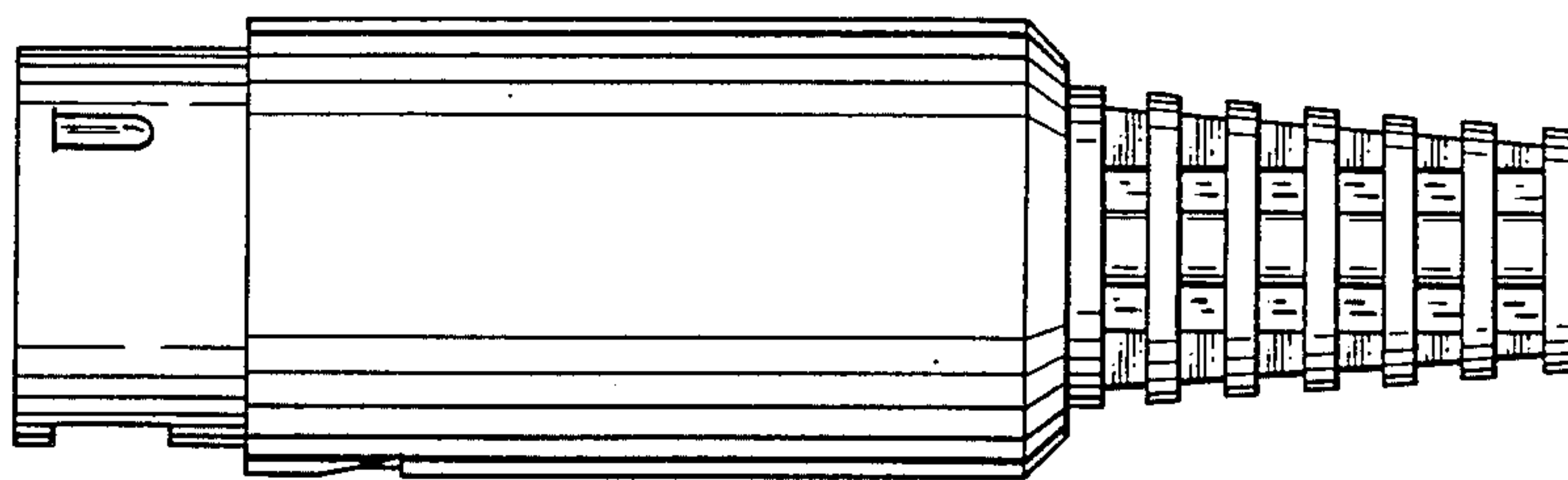


FIG. 3

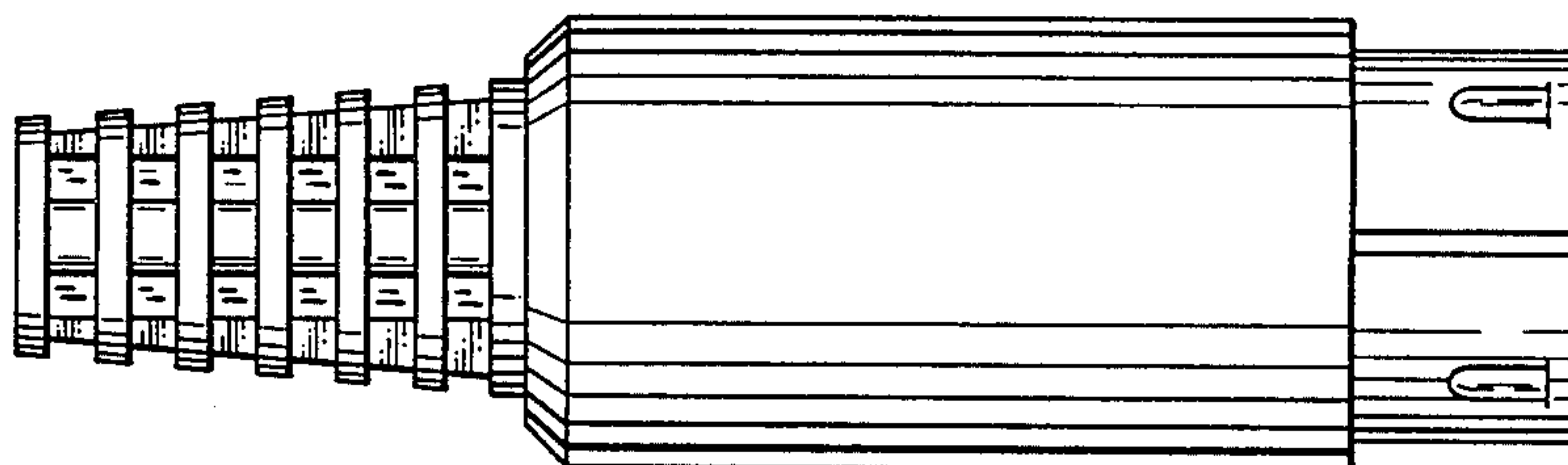


FIG. 4

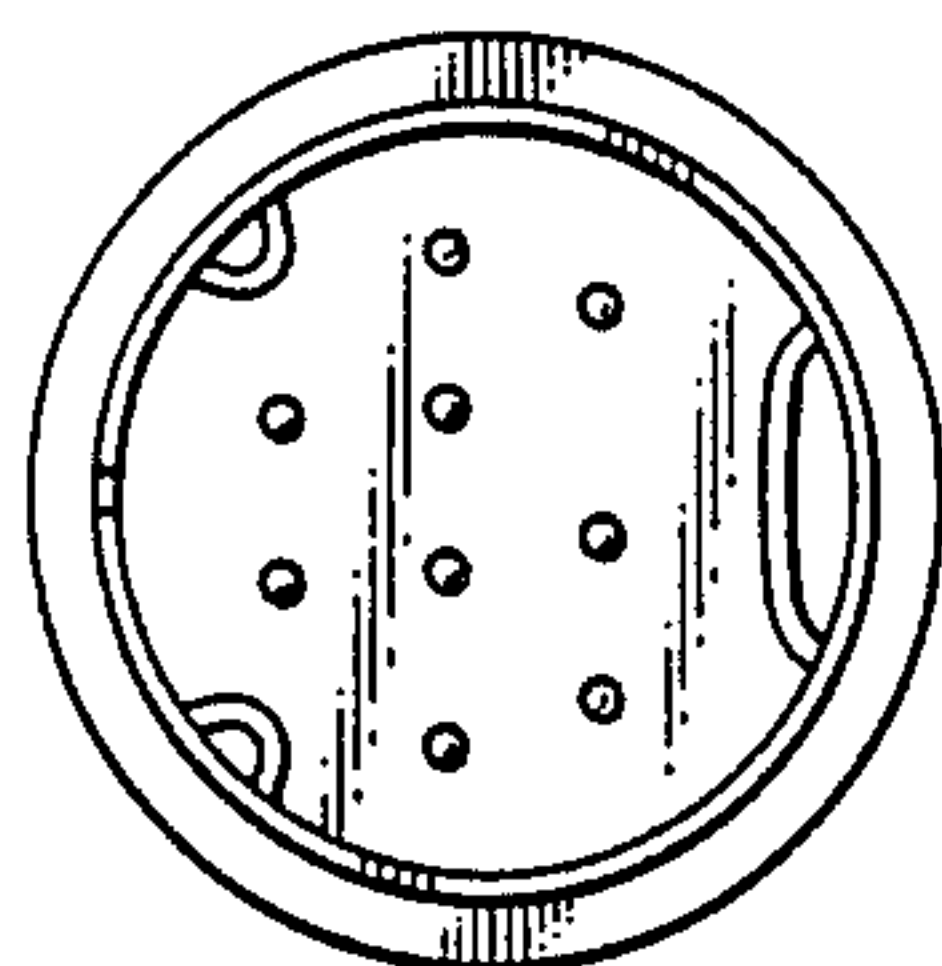


FIG. 5

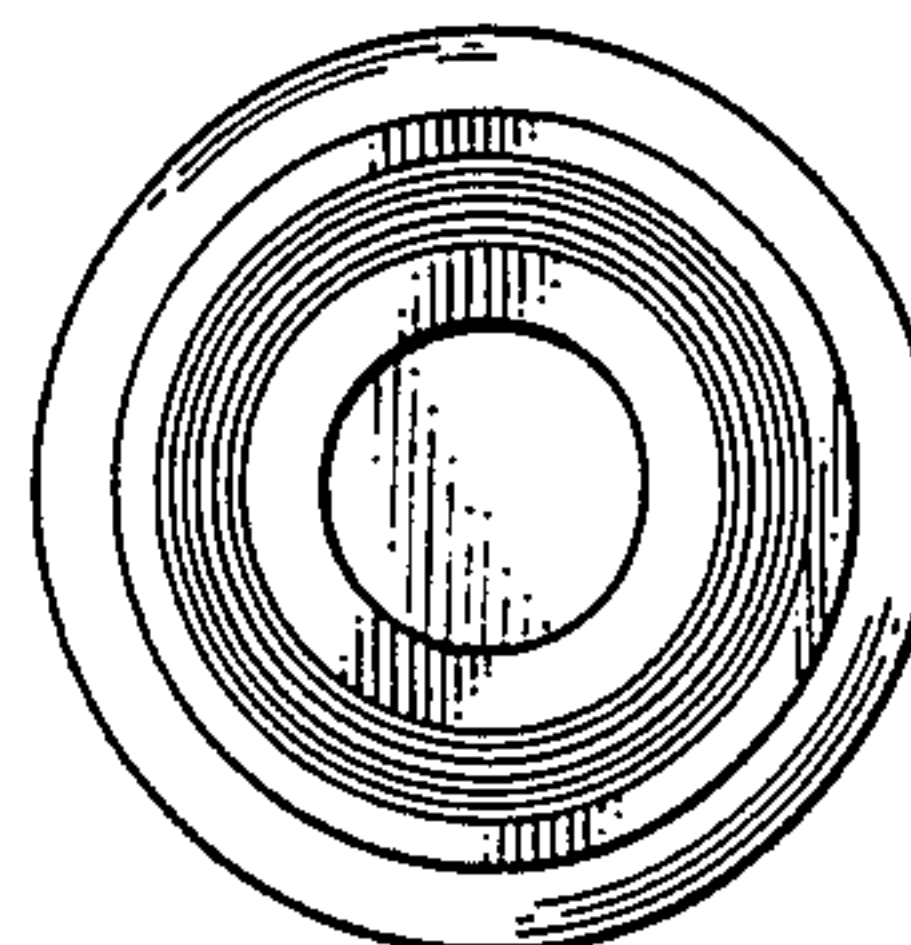


FIG. 6