

United States Patent [19]

Johnson et al.

[11] Patent Number: **Des. 298,929**

[45] Date of Patent: **** Dec. 13, 1988**

[54] VAN TOP

[75] Inventors: **William P. Johnson**, Syracuse;
Charles B. Bonifield, Warsaw, both
of Ind.

[73] Assignee: **Coachmen Industries, Inc.**,
Middlebury, Ind.

[**] Term: **14 Years**

[21] Appl. No.: **859,748**

[22] Filed: **May 5, 1986**

[52] U.S. Cl. **D12/156**

[58] Field of Search **D12/156; 296/26, 99 R,**
296/100, 156, 210

[56] **References Cited**

U.S. PATENT DOCUMENTS

D. 244,016 4/1977 Waldman D12/156
D. 251,375 3/1979 Knobel D12/156
D. 286,394 10/1986 Johnson et al. D12/156

Primary Examiner—James M. Gandy
Attorney, Agent, or Firm—Thomas J. Dodd

[57] **CLAIM**

The ornamental design for a van top, as shown and described.

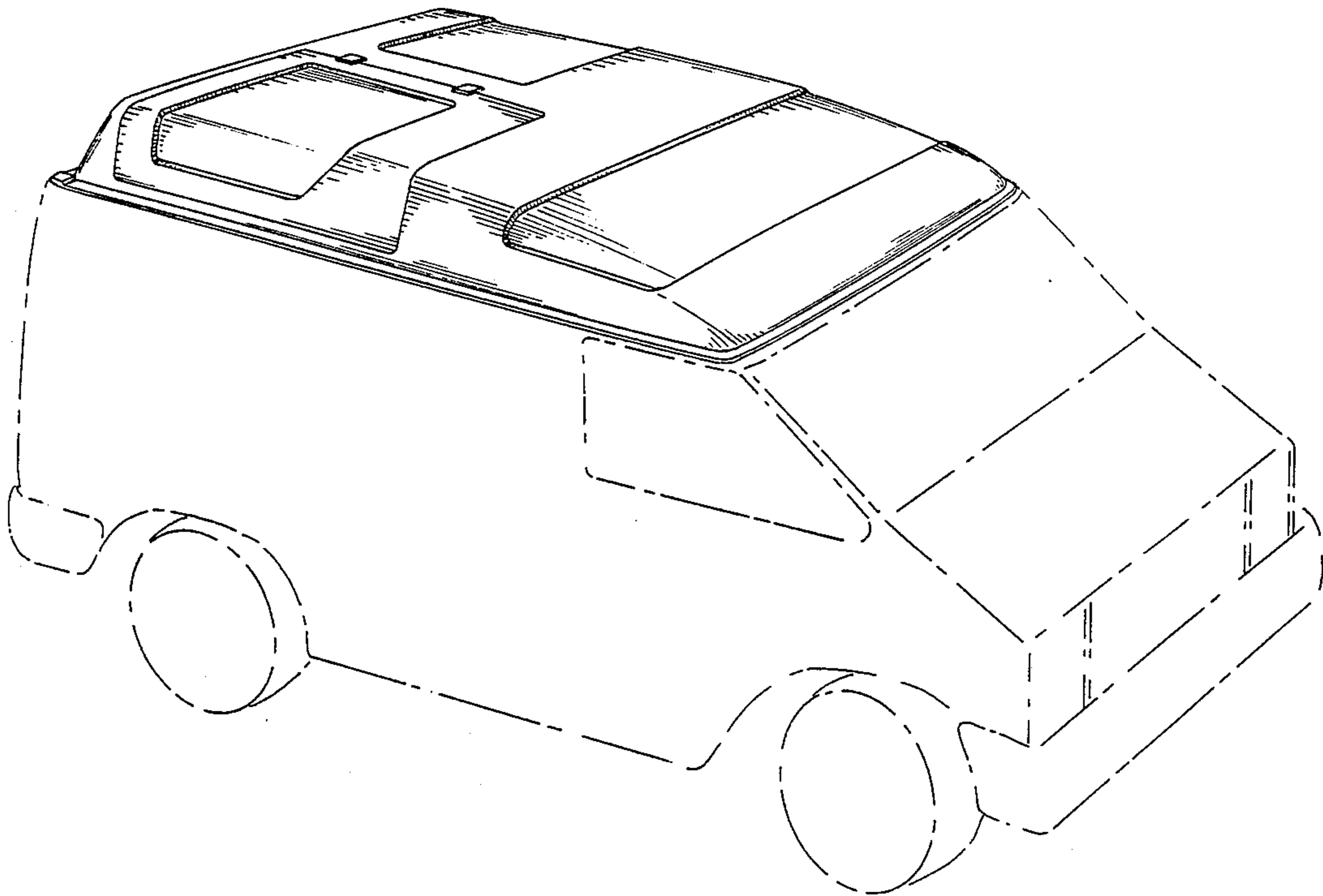
DESCRIPTION

FIG. 1 is a perspective view of the van top showing our new design, shown attached to a van which is shown in dotted lines for illustrative purposes only and forms no part of the claimed design;

FIG. 2 is a top plan view thereof;

FIG. 3 is a left side elevational view thereof, with the right side being substantially a mirror image; and

FIG. 4 is a rear elevational view thereof.



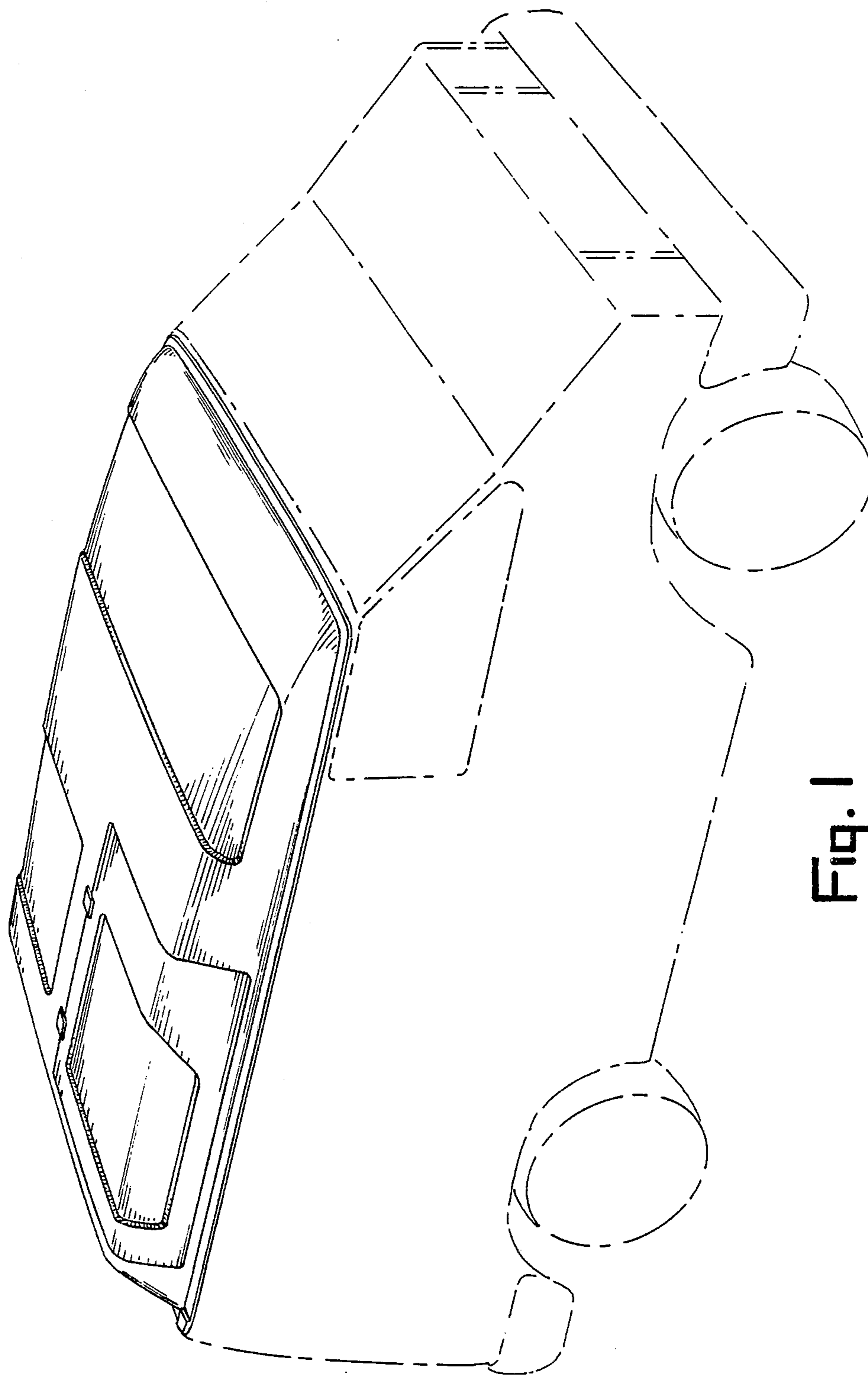


Fig. 1

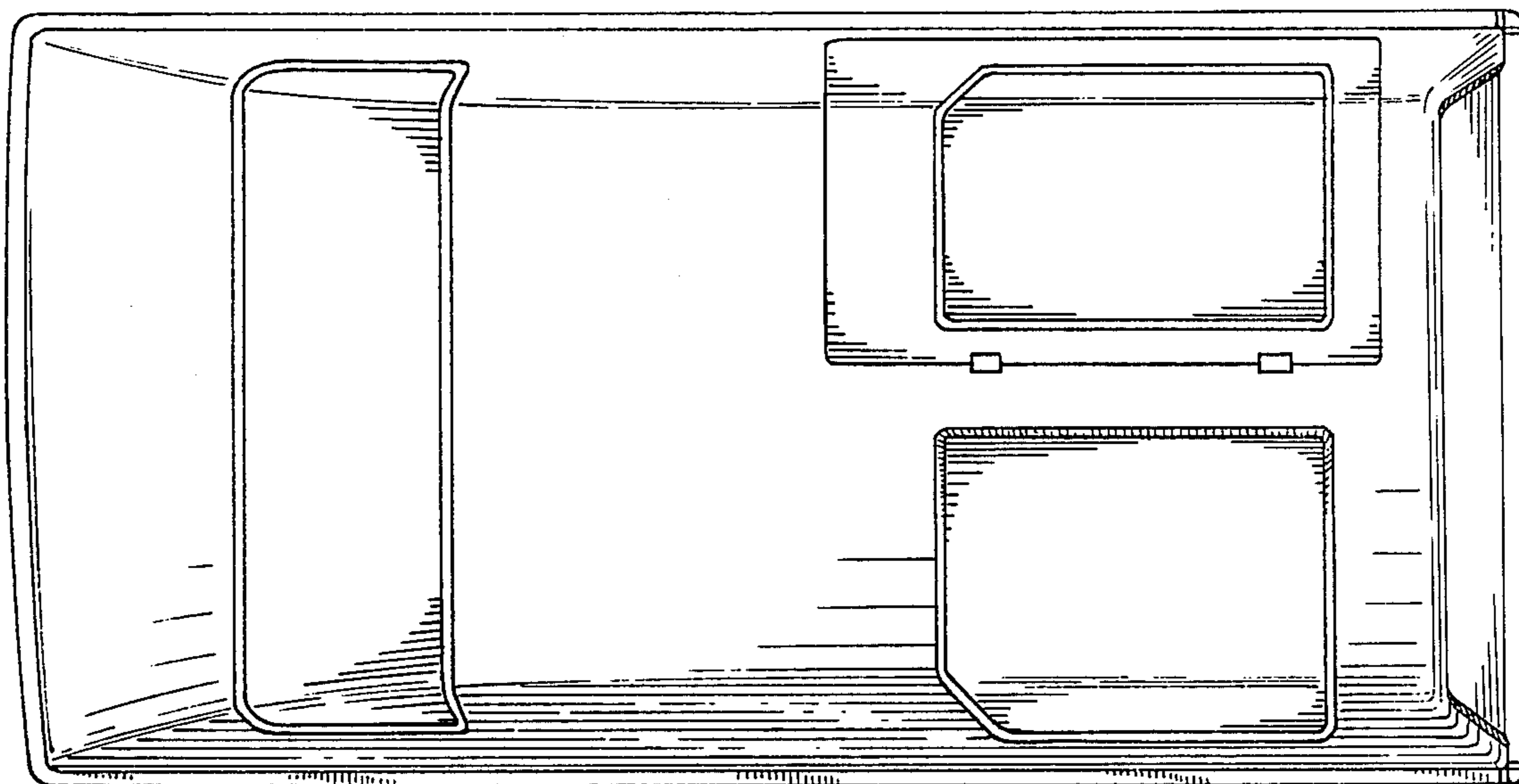


Fig. 2

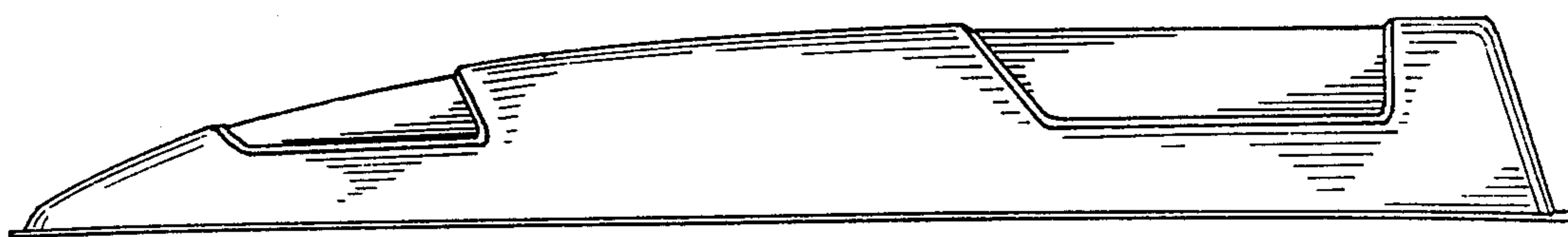


Fig. 3

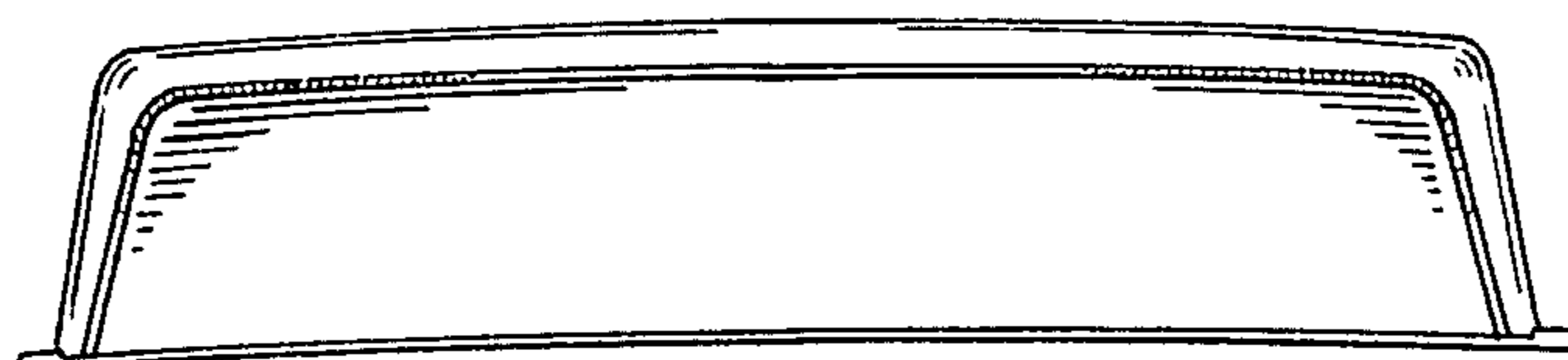


Fig. 4