

United States Patent [19]

Johnson et al.

[11] Patent Number: Des. 298,927

[45] Date of Patent: ** Dec. 13, 1988

[54] VAN TOP

[75] Inventors: William P. Johnson, Syracuse;
Charles B. Bonifield, Warsaw, both
of Ind.

[73] Assignee: Coachmen Industries, Inc.,
Middlebury, Ind.

[**] Term: 14 Years

[21] Appl. No.: 827,903

[22] Filed: Feb. 7, 1986

[52] U.S. Cl. D12/156

[58] Field of Search D12/156; 296/26, 156,
296/99 R, 100, 210

[56]

References Cited

U.S. PATENT DOCUMENTS

D. 251,375 3/1979 Knobel D12/156
D. 286,394 10/1986 Johnson et al. D12/156

Primary Examiner—James M. Gandy
Attorney, Agent, or Firm—Thomas J. Dodd

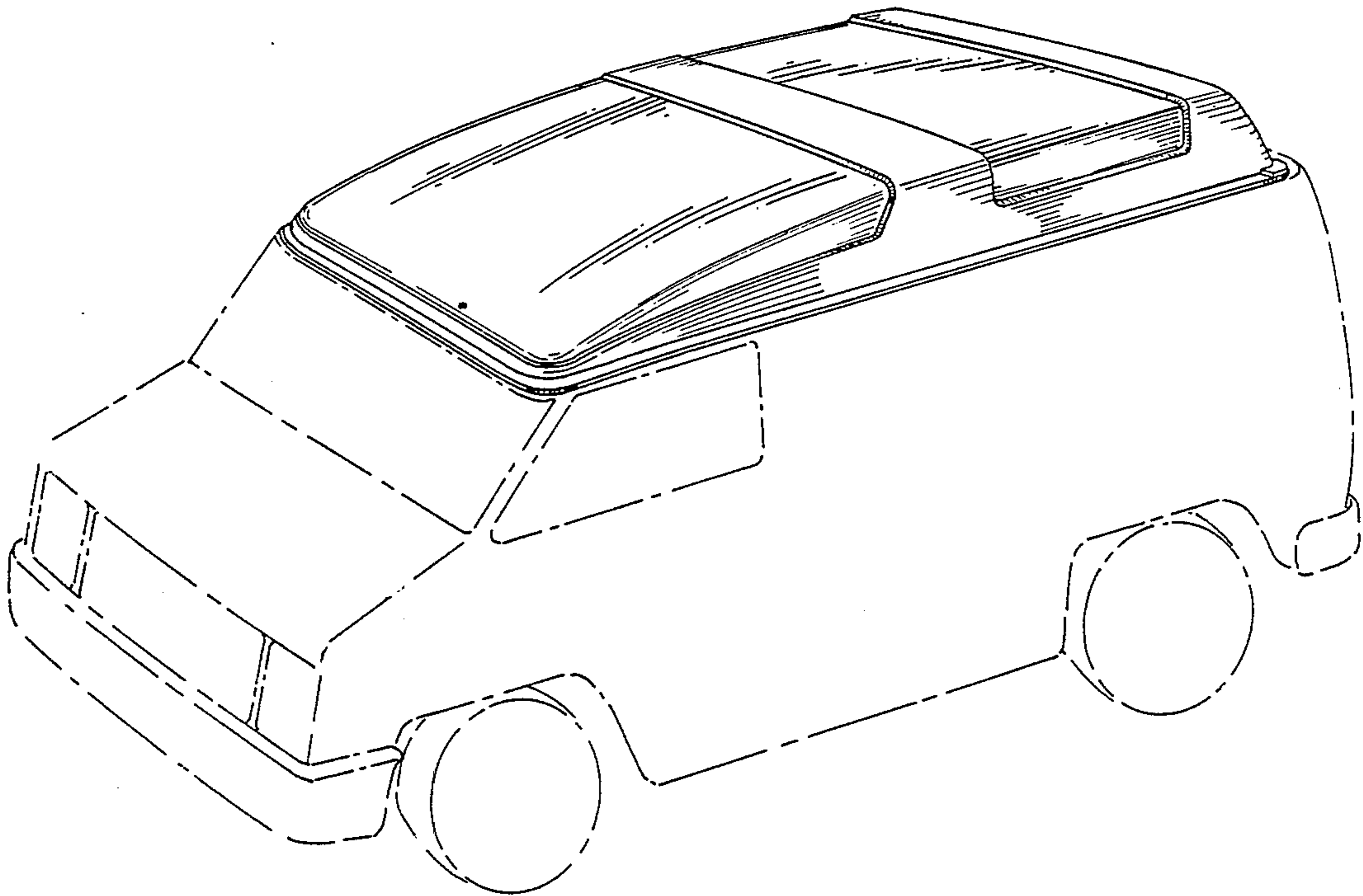
[57]

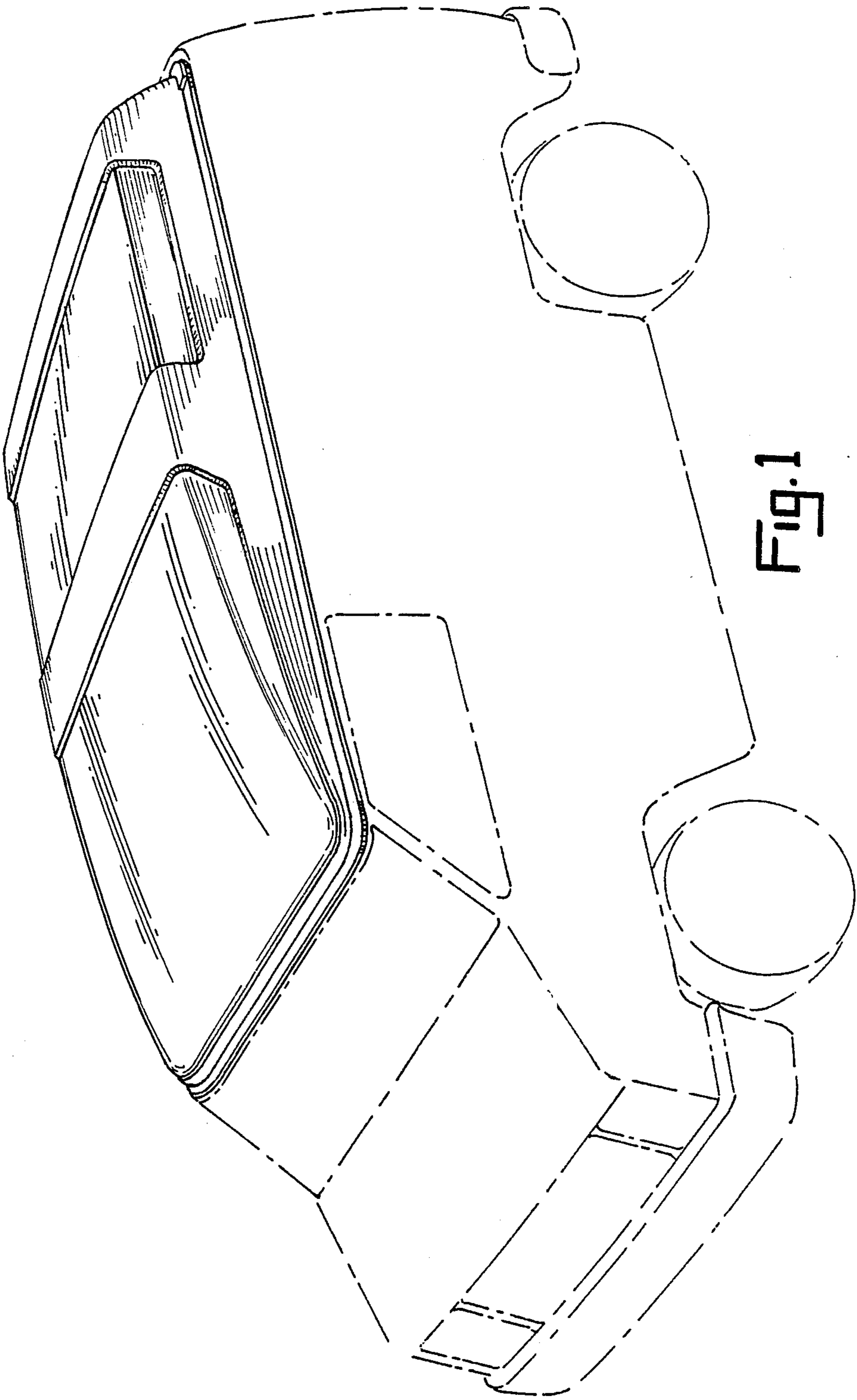
CLAIM

The ornamental design for a van top, as shown and described.

DESCRIPTION

FIG. 1 is a perspective view of the van top showing my new design it being understood that the portion shown in broken lines is for illustrative purposes only and forms no part of the claimed design;
FIG. 2 is a top plan view thereof;
FIG. 3 is a left side elevational view thereof, with the right side being substantially a mirror image;
FIG. 4 is a rear elevational view thereof.





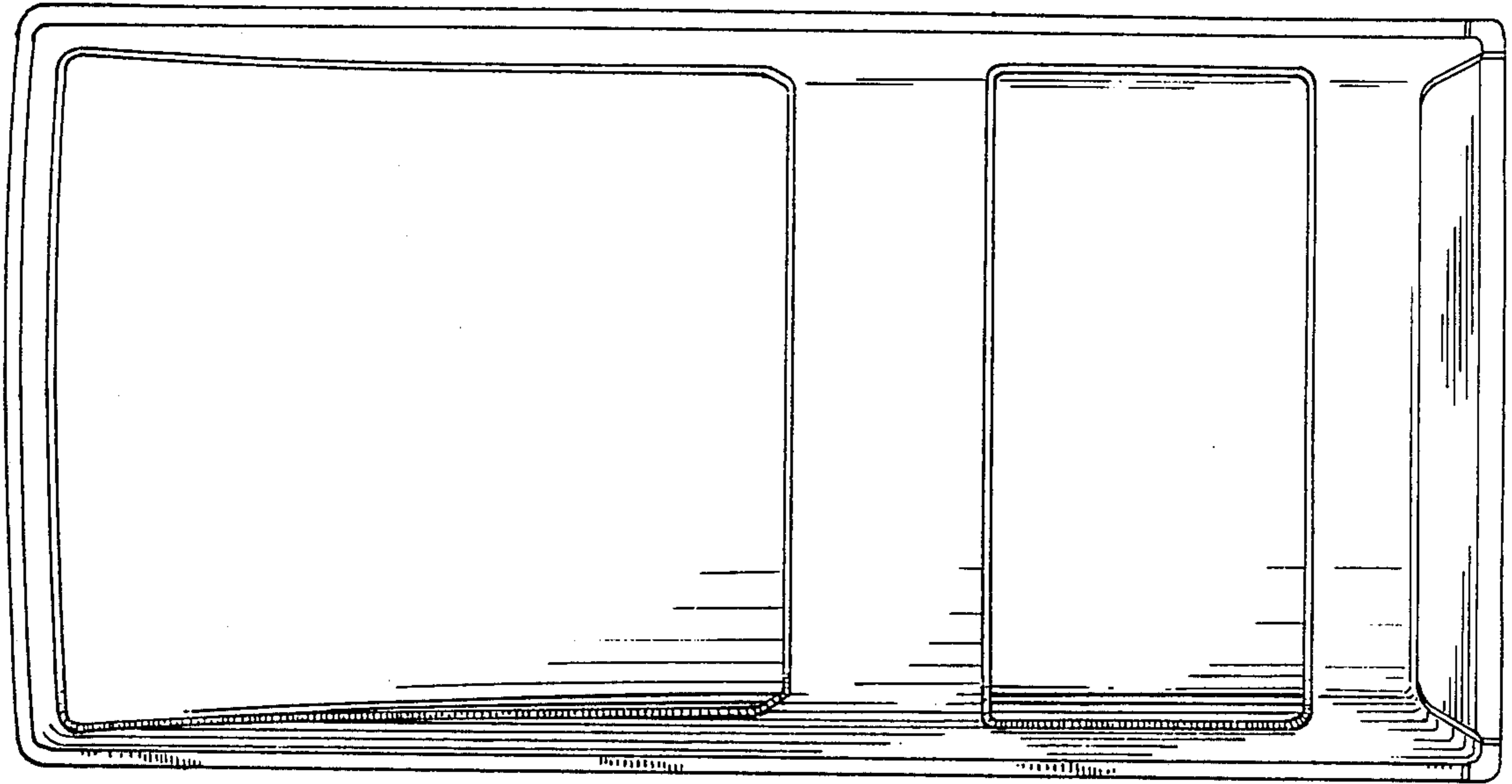


Fig. 2

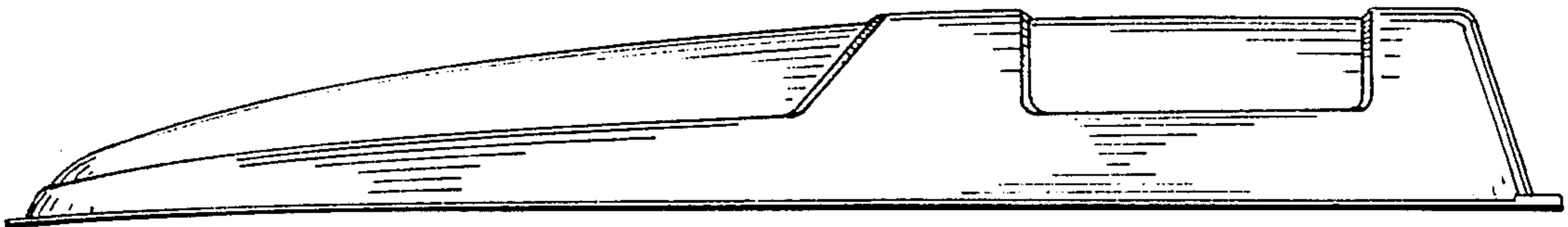


Fig. 3

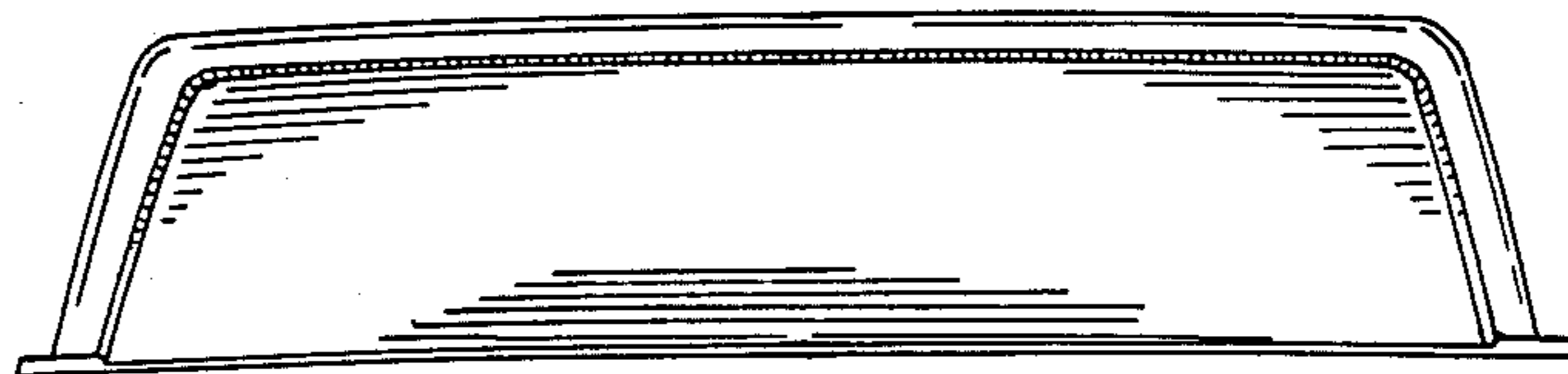


Fig. 4