

[54] WIPER BLADE AND FRAME THEREFOR

[57] CLAIM

[76] Inventor: Mark A. Rusnak, 3869 Buchanan Dr., Virginia Beach, Va. 23456

The ornamental design for wiper blade and frame therefor, as shown and described.

[**] Term: 14 Years

DESCRIPTION

[21] Appl. No.: 820,359

FIG. 1 is a perspective view of a wiper blade and frame therefor, showing my new design;

[22] Filed: Jan. 21, 1986

FIG. 2 is an end elevational view, the opposite end being identical thereto;

[52] U.S. Cl. D12/155; D32/41

FIG. 3 is a side elevational view, the opposite side being identical thereto;

[58] Field of Search D12/155; D32/41; 15/250.12-250.42

FIG. 4 is a top plan view thereof;

FIG. 5 is a bottom plan view thereof;

FIG. 6 is an end elevational view of a second embodiment of a wherein the configuration of the blade;

[56] References Cited

U.S. PATENT DOCUMENTS

- 1,699,634 10/1929 Smulski .
- 2,289,545 7/1942 Horton et al. .
- 3,056,991 10/1962 Smithers .
- 3,414,930 12/1968 Kodama .
- 4,192,038 3/1980 Klein et al. .
- 4,327,457 5/1982 Lunsford .
- 4,438,543 3/1984 Noguchi et al. 15/250.42

FIG. 7 is an end elevational view of a third embodiment of a wiper blade and frame therefor, wherein the only difference resides in the configuration of the blade;

FIG. 8 is an end elevational view of a fourth embodiment of a wiper blade and frame therefor, wherein the only difference resides in the configuration of the blade.

FIG. 9 is a view like that of FIG. 1 illustrating a wiper blade and frame of somewhat modified form;

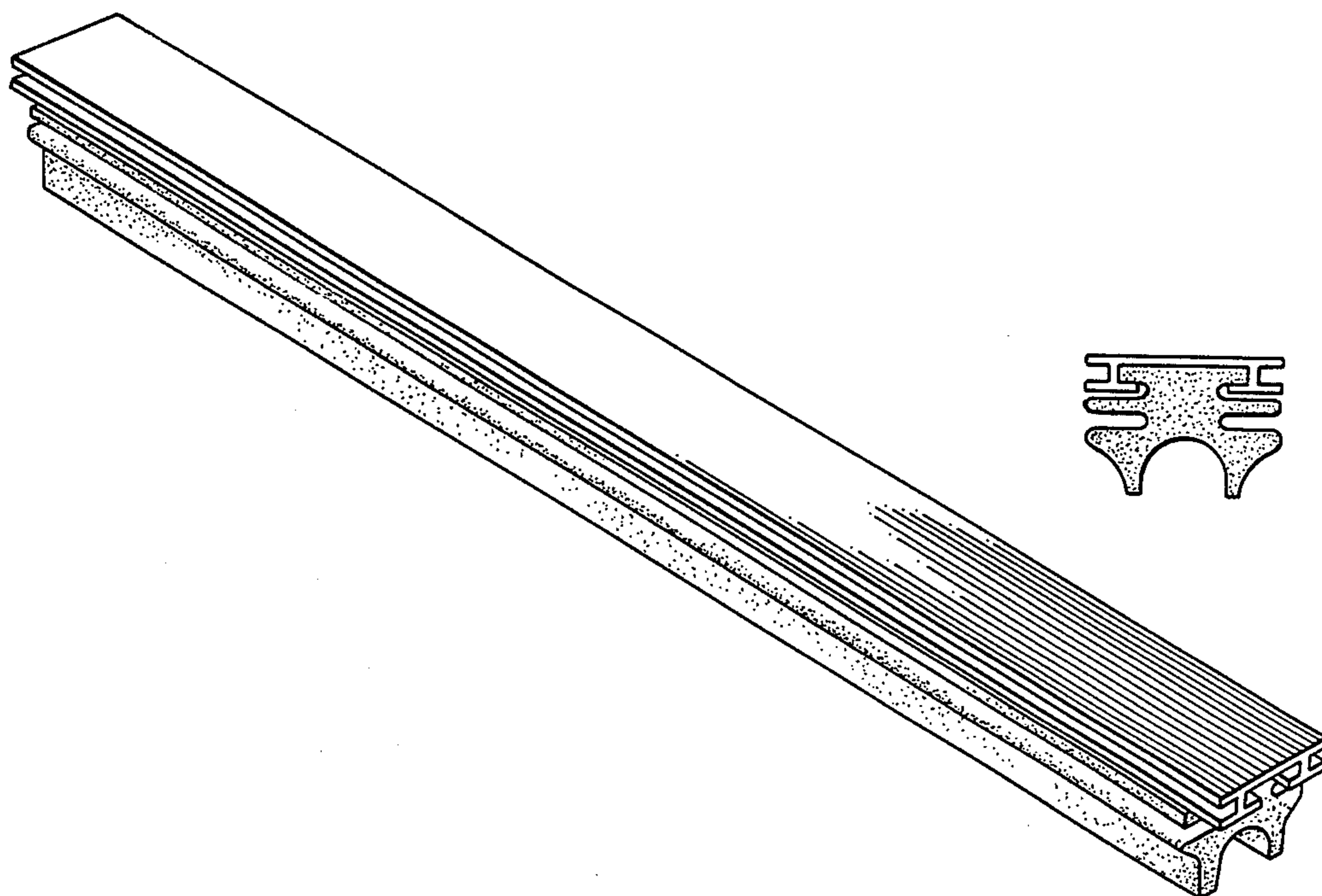
FIG. 10 is an end elevational view thereof (both end elevations are substantially identical);

FIG. 11 is a side elevational view thereof (both side elevations are substantially identical);

FIG. 12 is a top plan view thereof; and

FIG. 13 is a bottom plan view thereof.

Primary Examiner—Catherine E. Kemper
Attorney, Agent, or Firm—Pennie & Edmonds



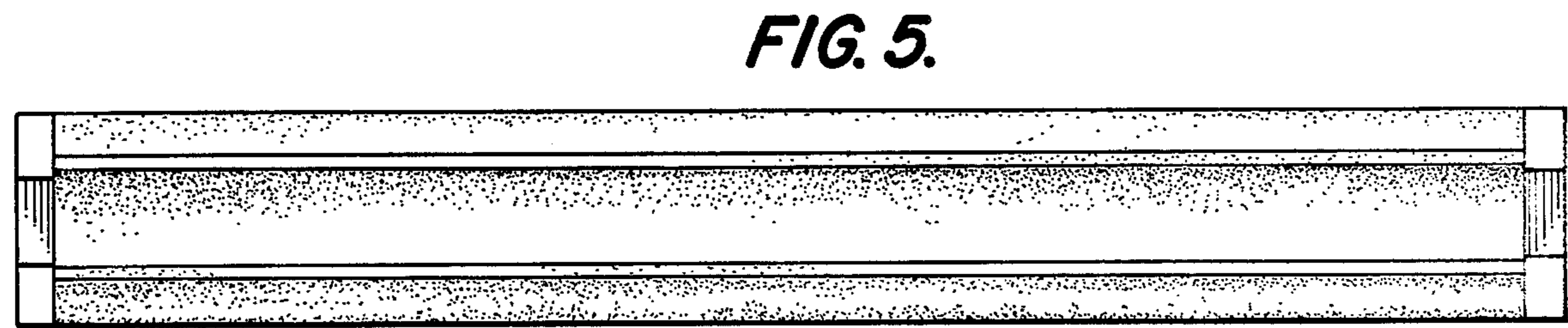
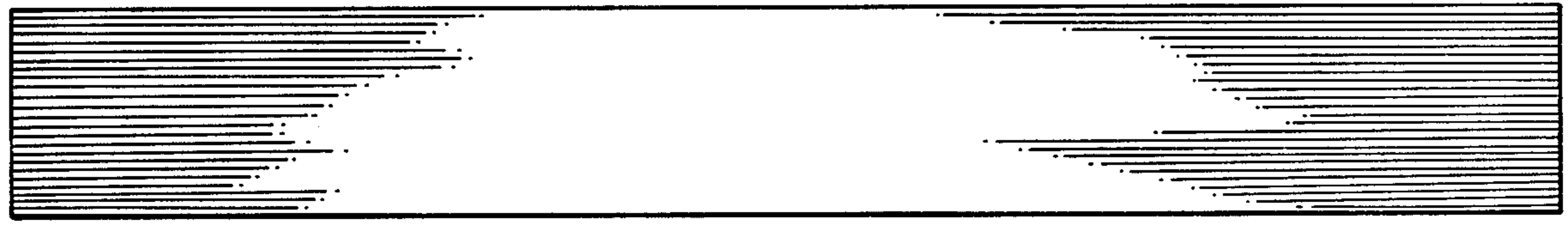
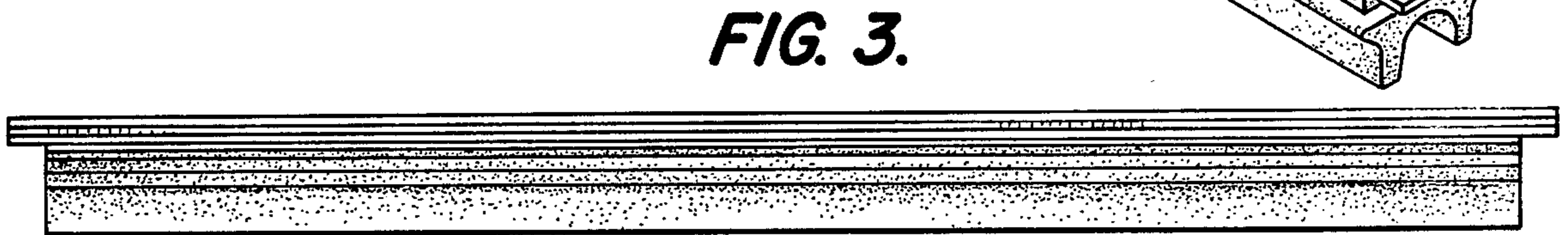
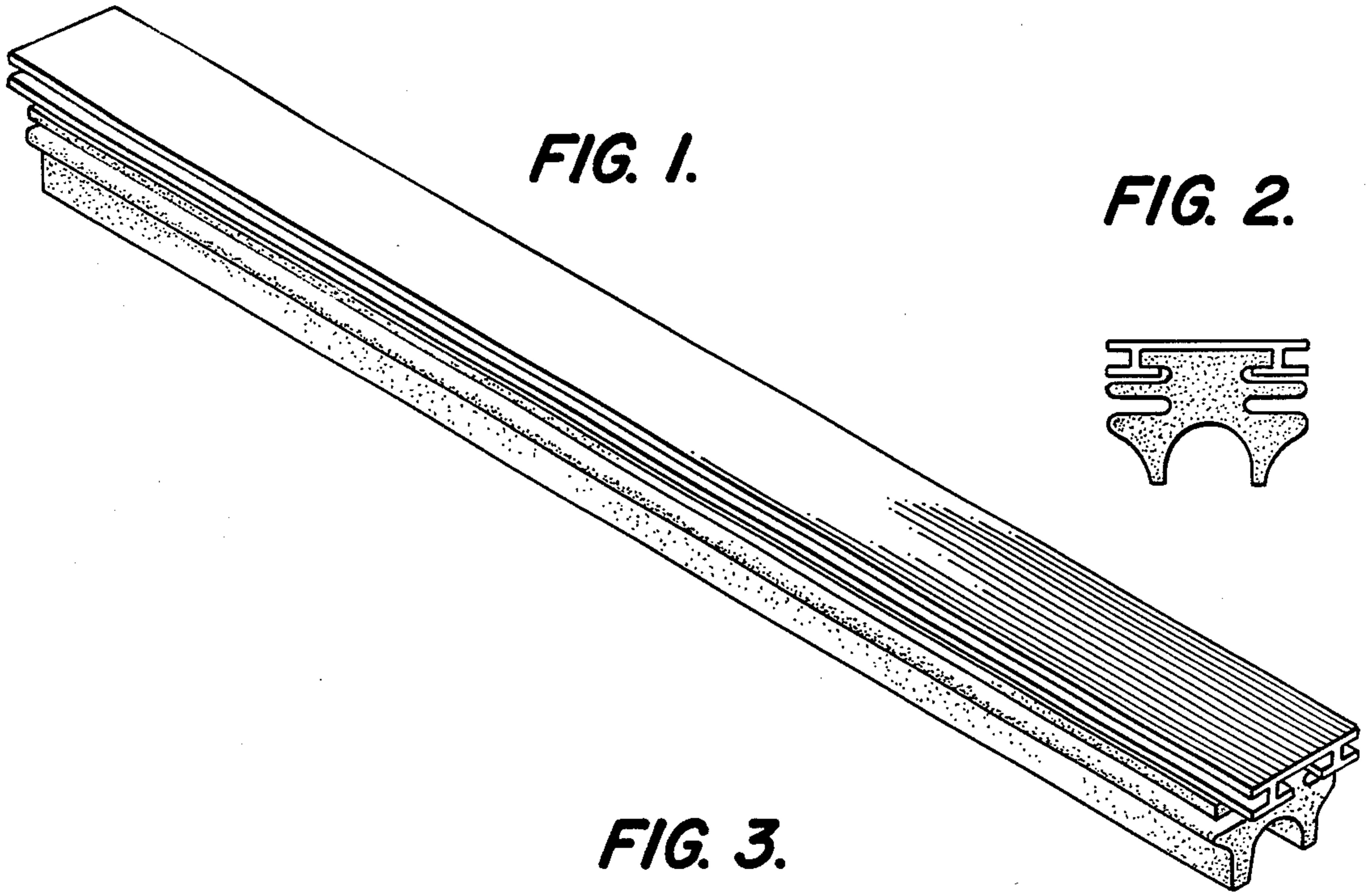


FIG. 6.

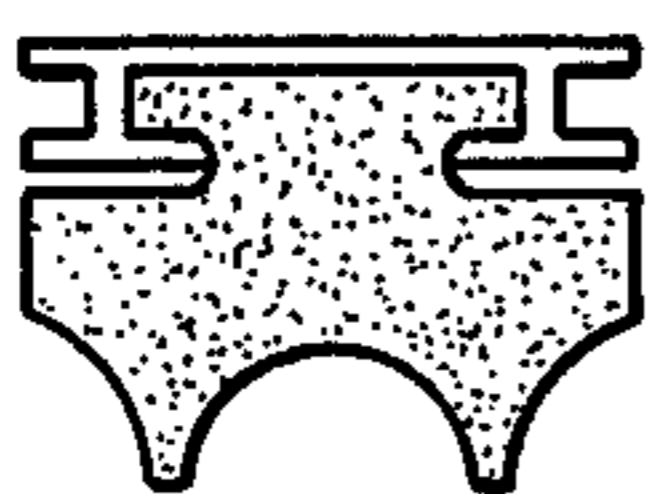


FIG. 7.

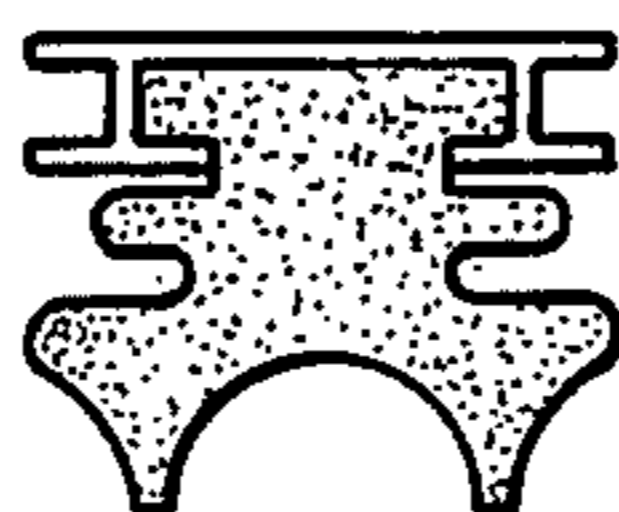


FIG. 8.

