

[54] BABY STROLLER

[75] Inventors: Shinroku Nakao, Kanagawa; Yoshiyuki Suzuki; Hitoshi Kato, both of Tokyo, all of Japan

[73] Assignee: Combi Co., Ltd., Tokyo, Japan

[**] Term: 14 Years

[21] Appl. No.: 939,936

[22] Filed: Dec. 9, 1986

[30] Foreign Application Priority Data

Aug. 18, 1986 [JP] Japan 61-32034
[52] U.S. Cl. D12/129
[58] Field of Search D12/129, 130, 132; 280/642, 643, 644, 42, 647, 648, 649, 650; 297/DIG. 4, 45, 39

[56] References Cited

U.S. PATENT DOCUMENTS

D. 267,863 2/1983 Nakao et al. D12/129
D. 269,421 6/1983 Kassai D12/129
D. 288,544 3/1987 Nakao et al. D12/129
D. 293,662 1/1988 Nakao D12/129

D. 296,313 6/1988 Kujawski D12/129
4,660,850 4/1987 Nakao et al. 280/650

Primary Examiner—Wallace R. Burke
Assistant Examiner—Kay H. Chin
Attorney, Agent, or Firm—Sughrue, Mion, Zinn, Macpeak & Seas

[57] CLAIM

The ornamental design for a baby stroller, as shown and described.

DESCRIPTION

FIG. 1 is a front and right side perspective view of a baby stroller showing our new design;
FIG. 2 is a front elevational view thereof;
FIG. 3 is a rear elevational view thereof;
FIG. 4 is a top plan view thereof;
FIG. 5 is a bottom plan view thereof;
FIG. 6 is a left side elevational view thereof;
FIG. 7 is a right side elevational view thereof;
FIG. 8 is a front perspective view thereof with the hood collapsed;
FIG. 9 is a front perspective view thereof with handle pivoted from rear to front position;
FIG. 10 is a perspective view thereof in folded condition.

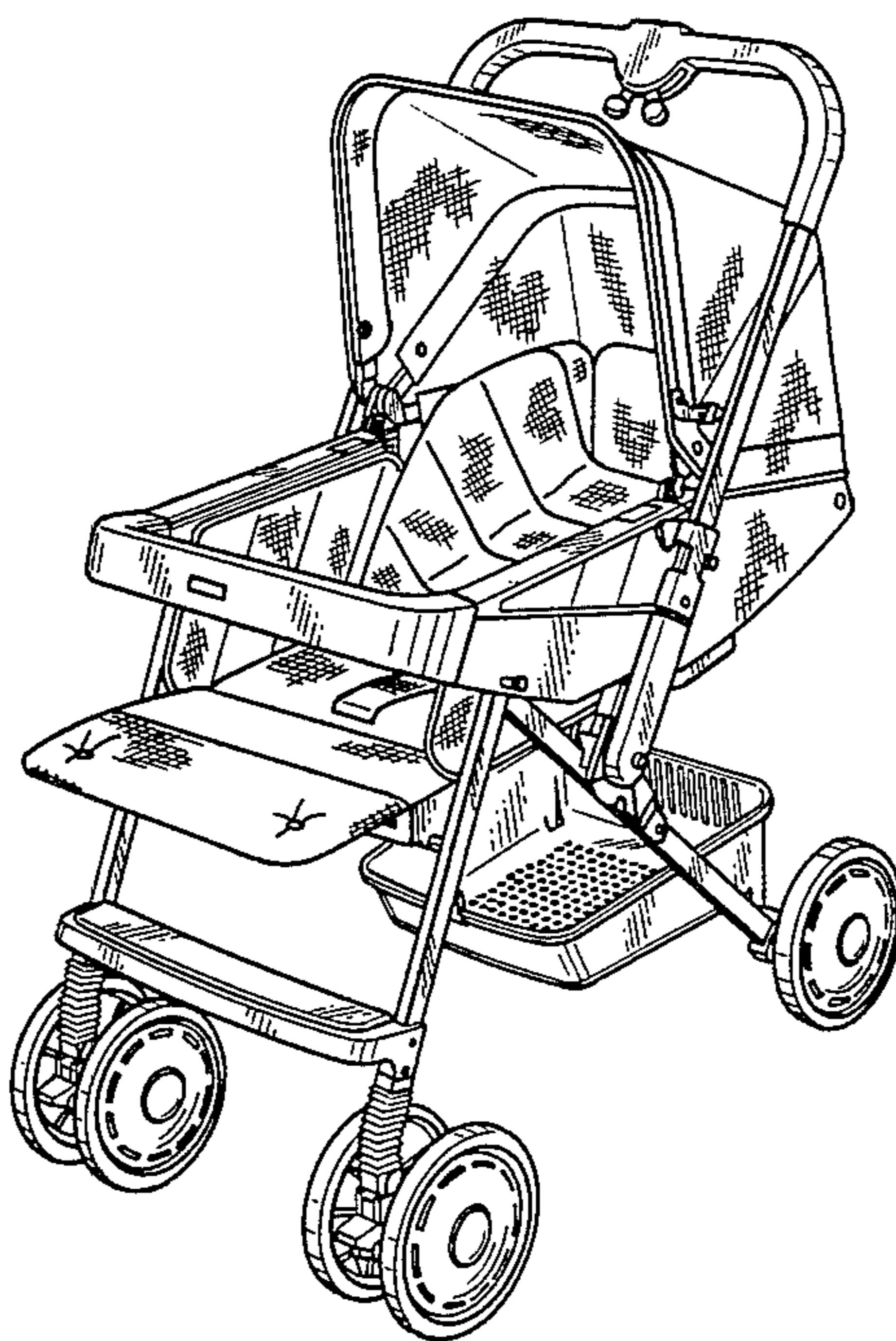


Fig. 1

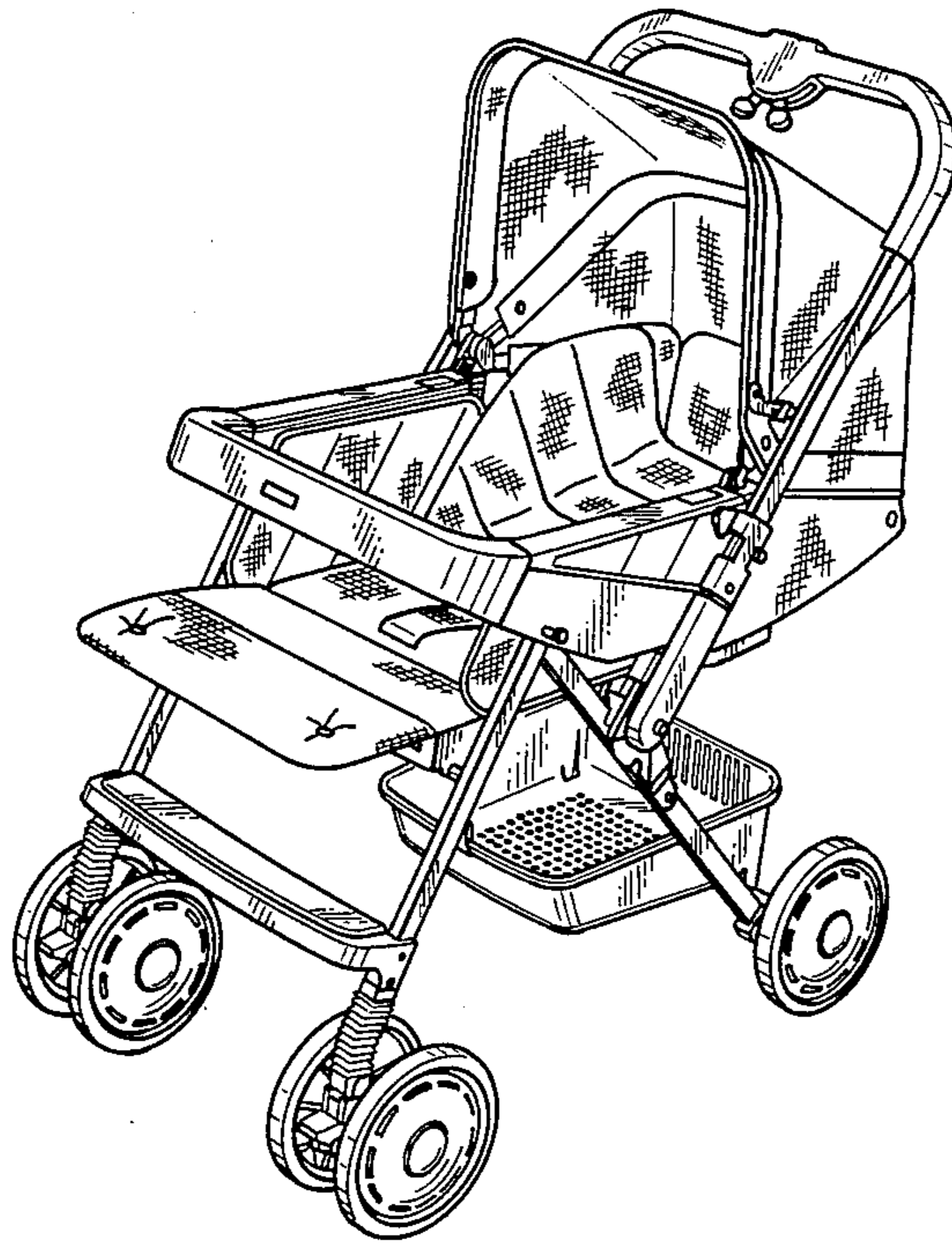


Fig. 3

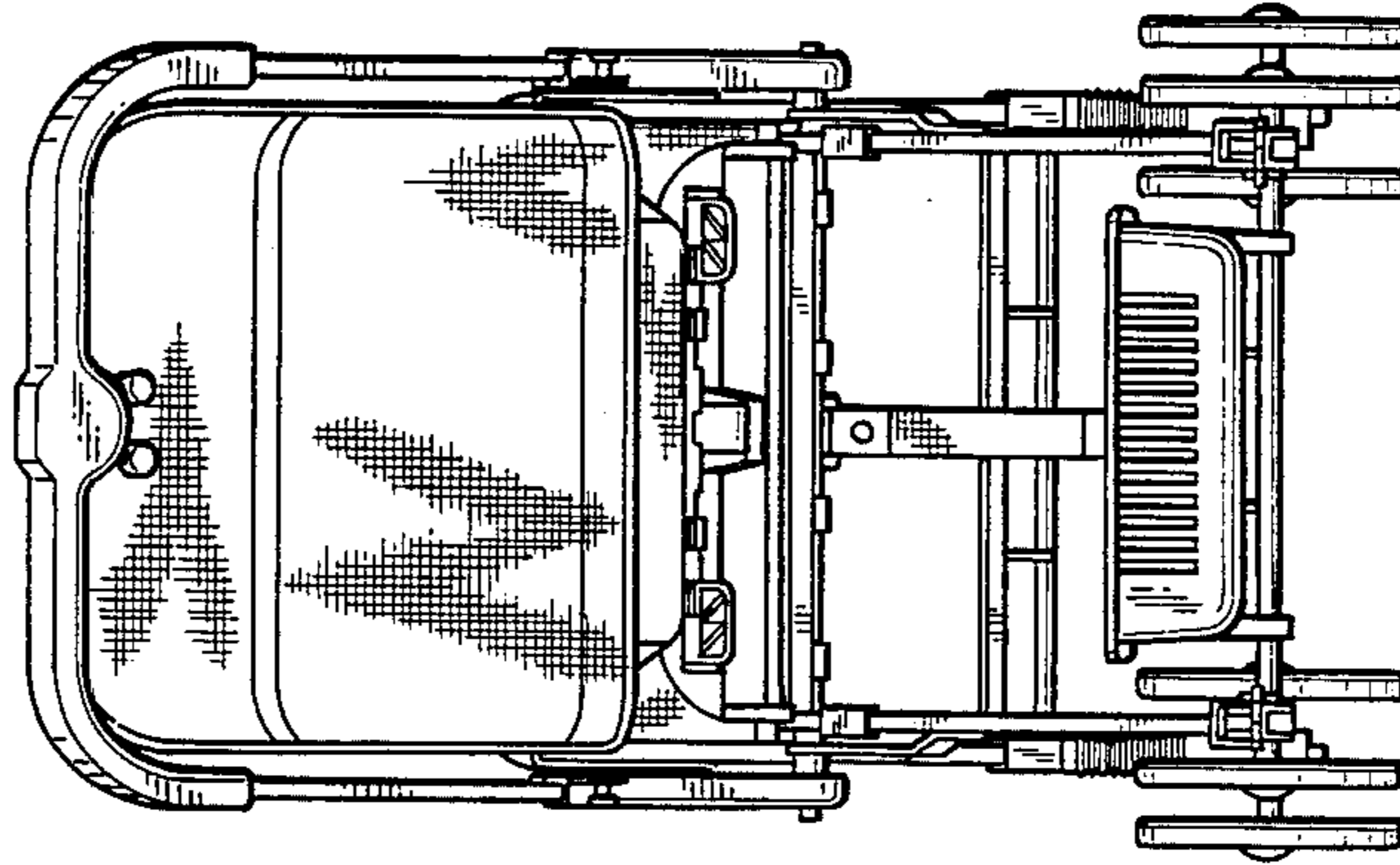


Fig. 2

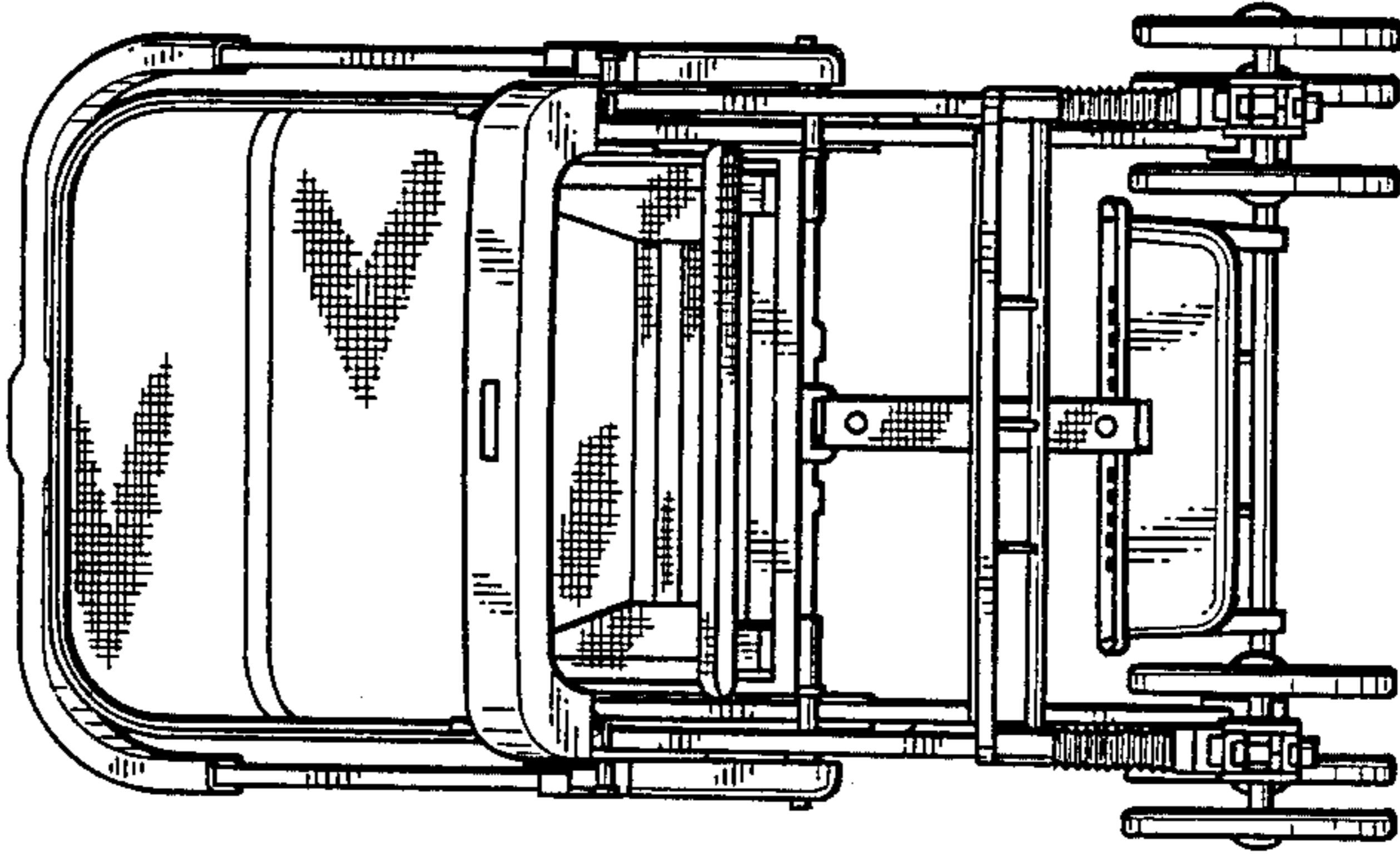


Fig. 5

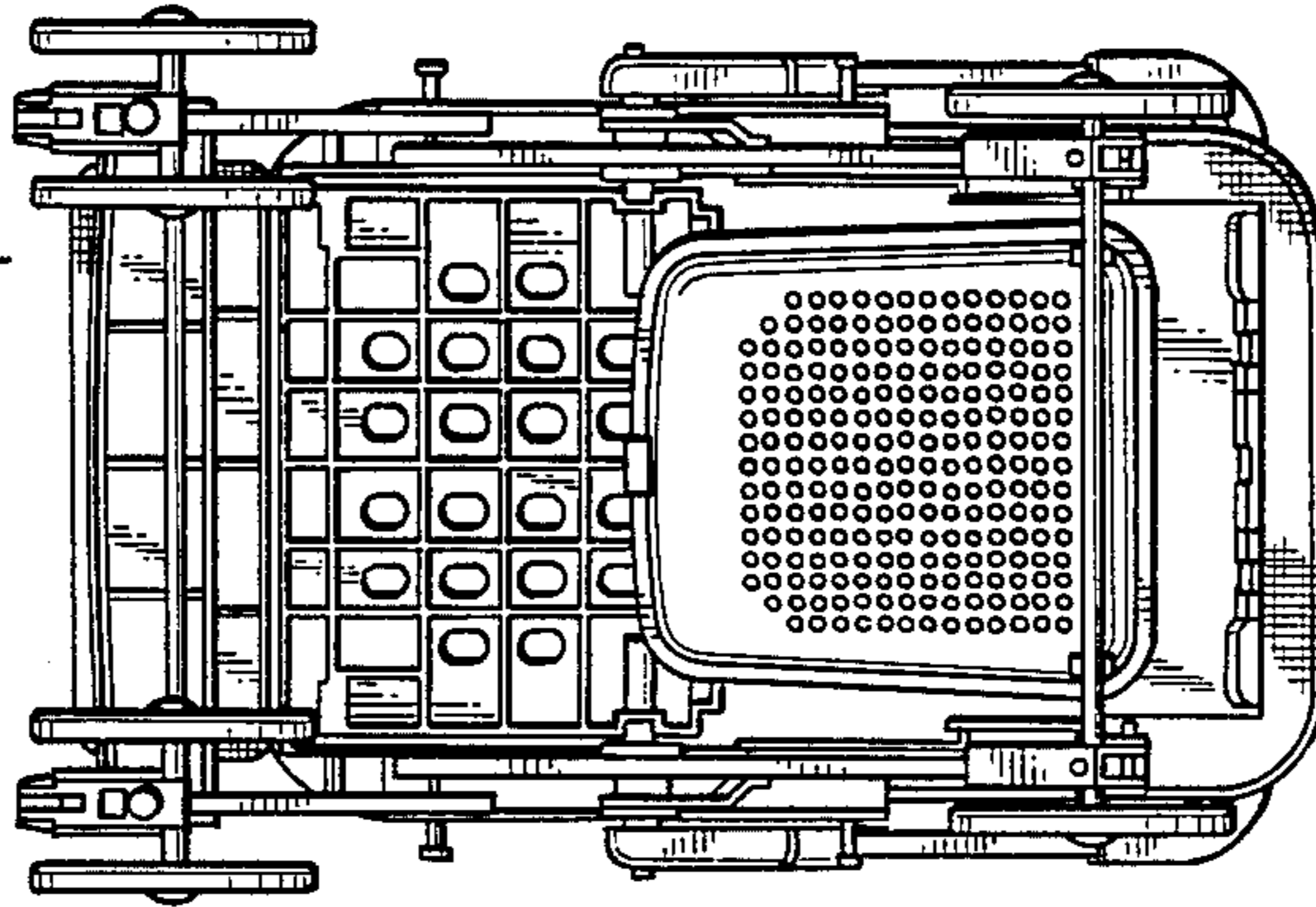


Fig. 4

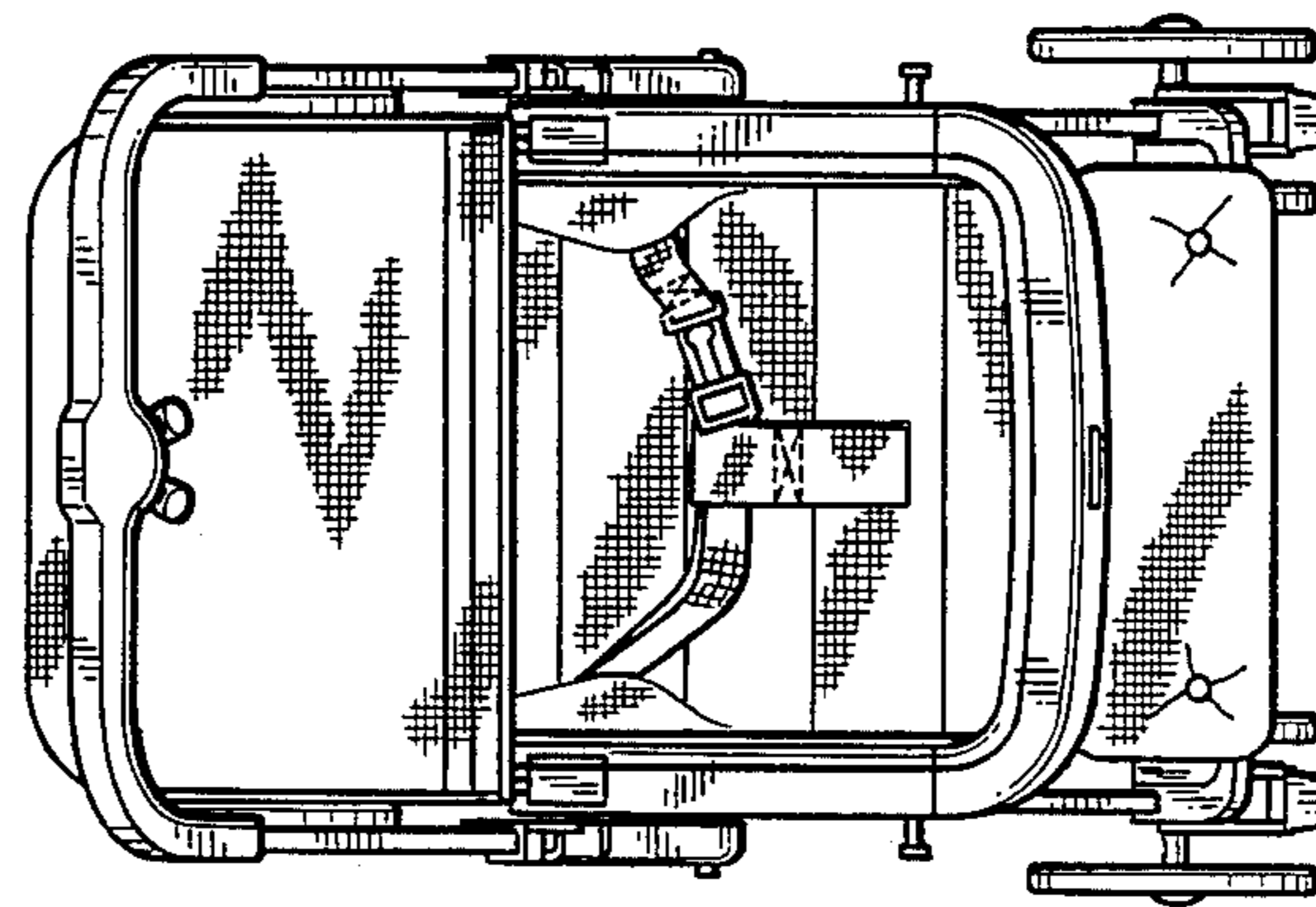


Fig. 6

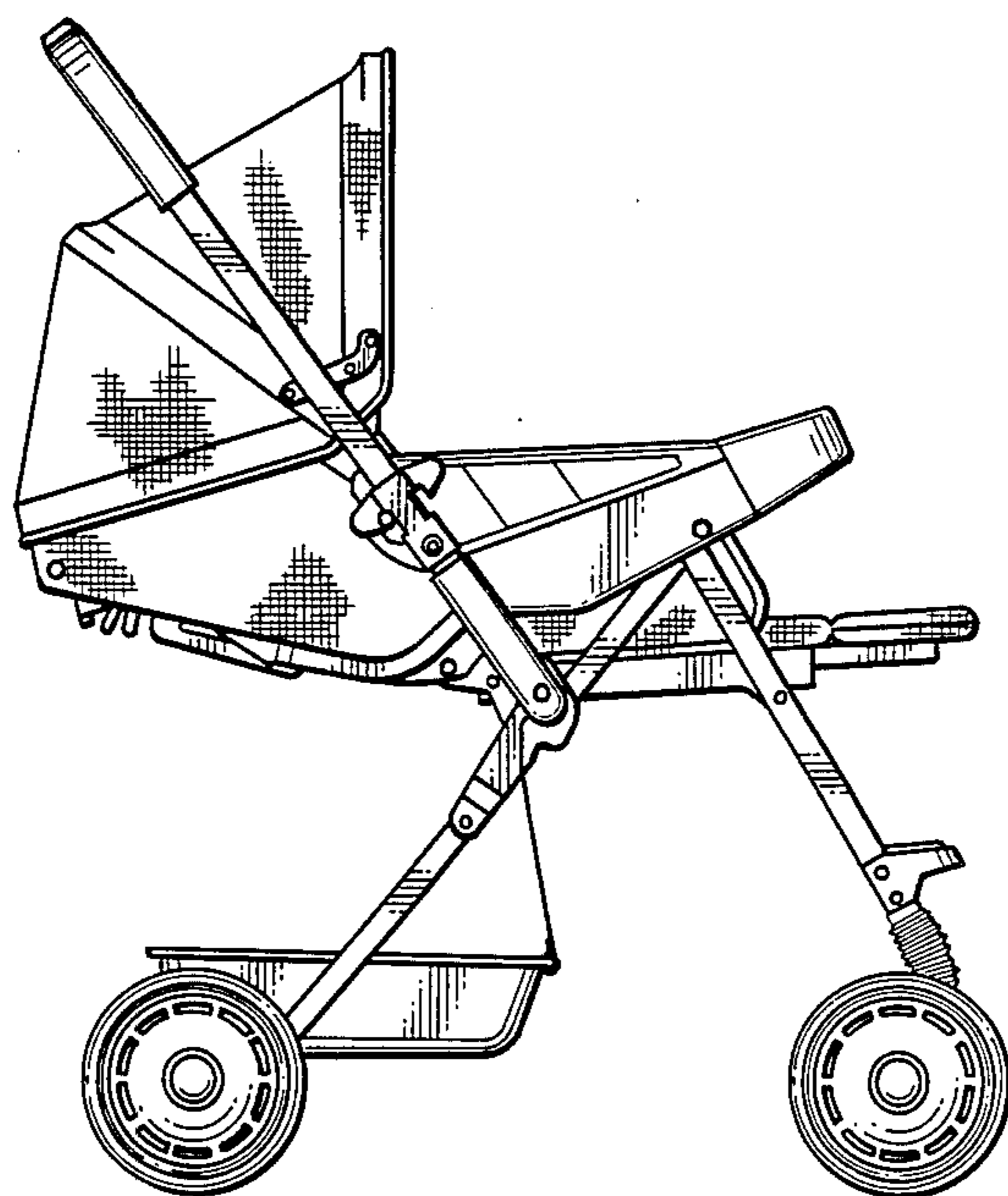


Fig. 7

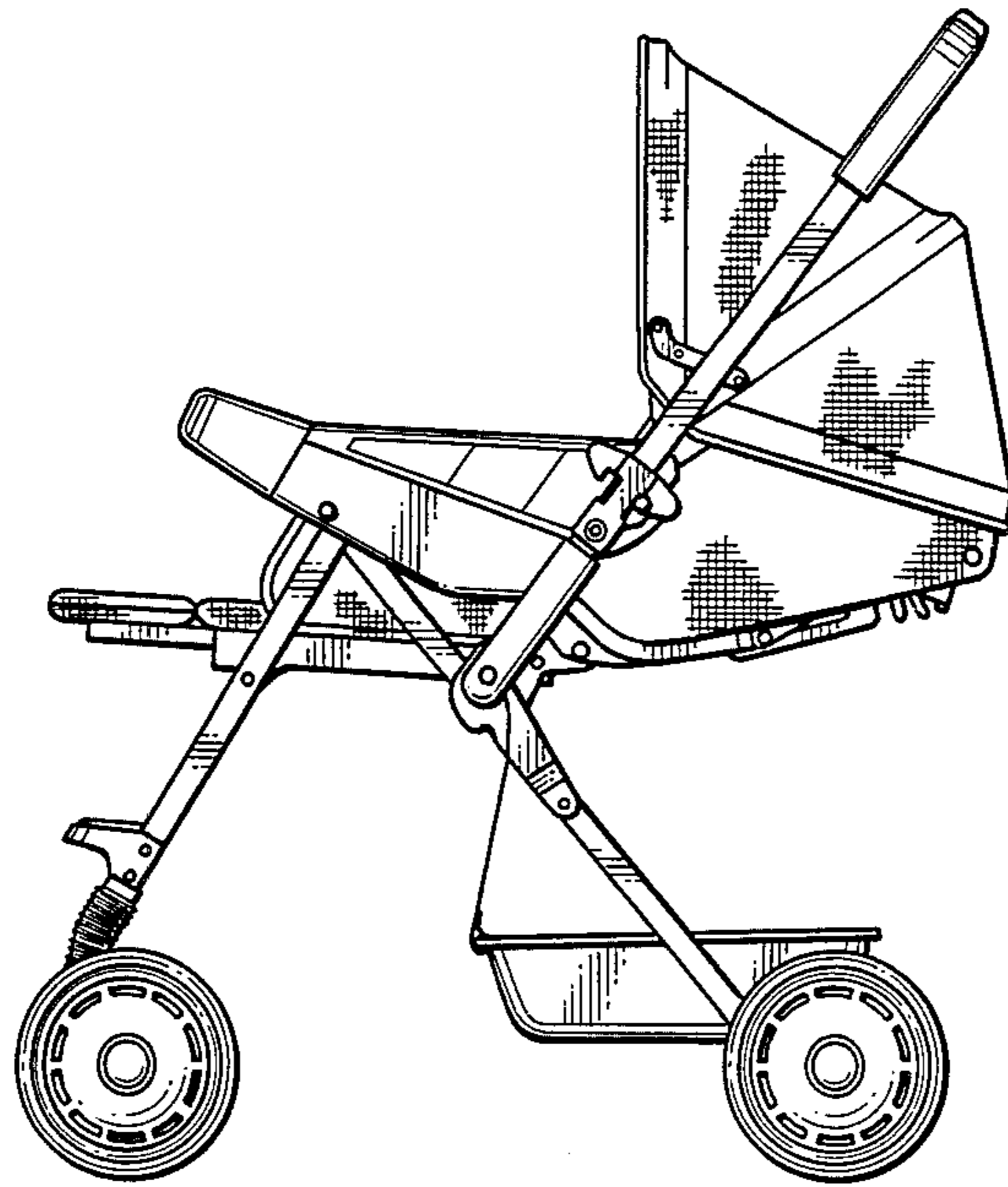


Fig. 8

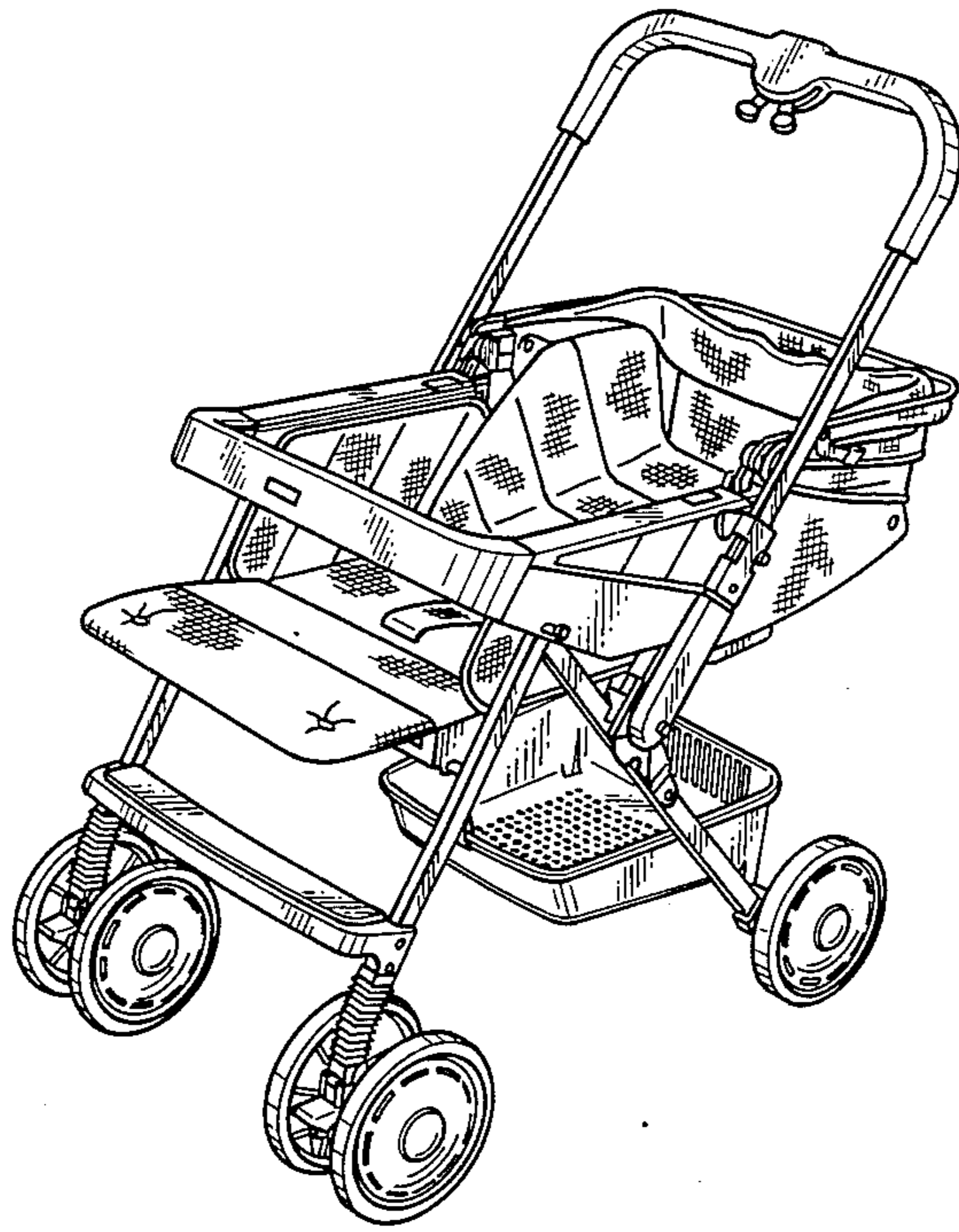


Fig. 9

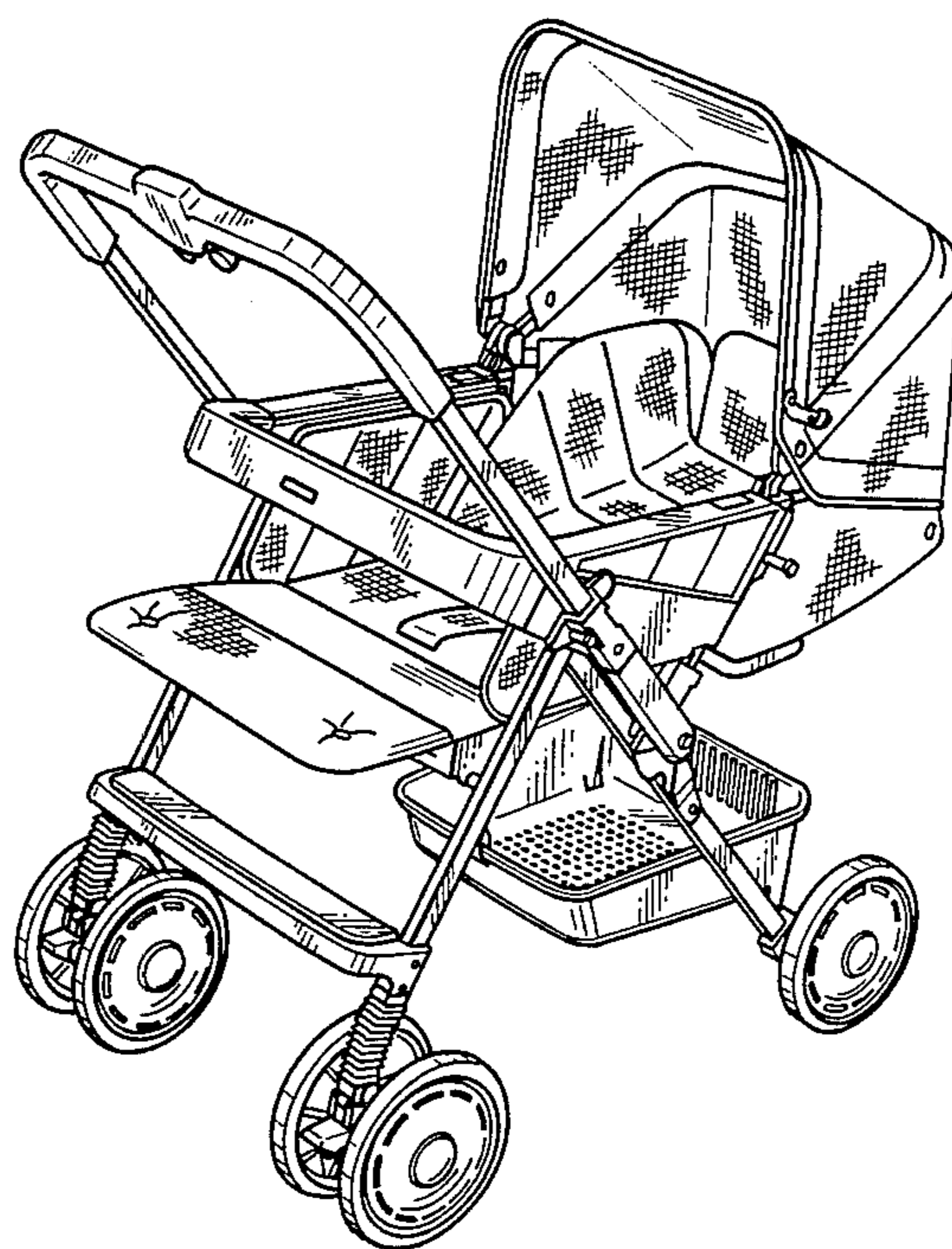


Fig. 10

