

[54] REUSABLE TRAY FOR THE GROWING OF SEEDLINGS

[75] Inventor: Kari Saarinen, Iso-Vimma, Finland

[73] Assignee: Lännen Tehtaat Oy, Iso-Vimma, Finland

[\*\*] Term: 14 Years

[21] Appl. No.: 862,445

[22] Filed: May 8, 1986

[30] Foreign Application Priority Data

Nov. 11, 1985 [IT] Italy ..... 875/85

[52] U.S. Cl. .... D11/155; D34/46

[58] Field of Search ..... D11/143, 155, 156; D34/45, 46; 206/423; 47/66, 73, 77, 85

[56] References Cited

U.S. PATENT DOCUMENTS

D. 235,031 4/1975 Jansen ..... D11/155  
D. 275,467 9/1984 Massonnet ..... D34/46

D. 277,837 3/1985 Turunen ..... D11/155  
3,386,608 6/1968 Diller ..... 47/86  
3,949,523 4/1976 Lehtipuu ..... 47/77  
4,242,834 1/1981 Olsen ..... 47/73

FOREIGN PATENT DOCUMENTS

1437556 3/1966 France ..... 47/86

Primary Examiner—B. J. Bullock

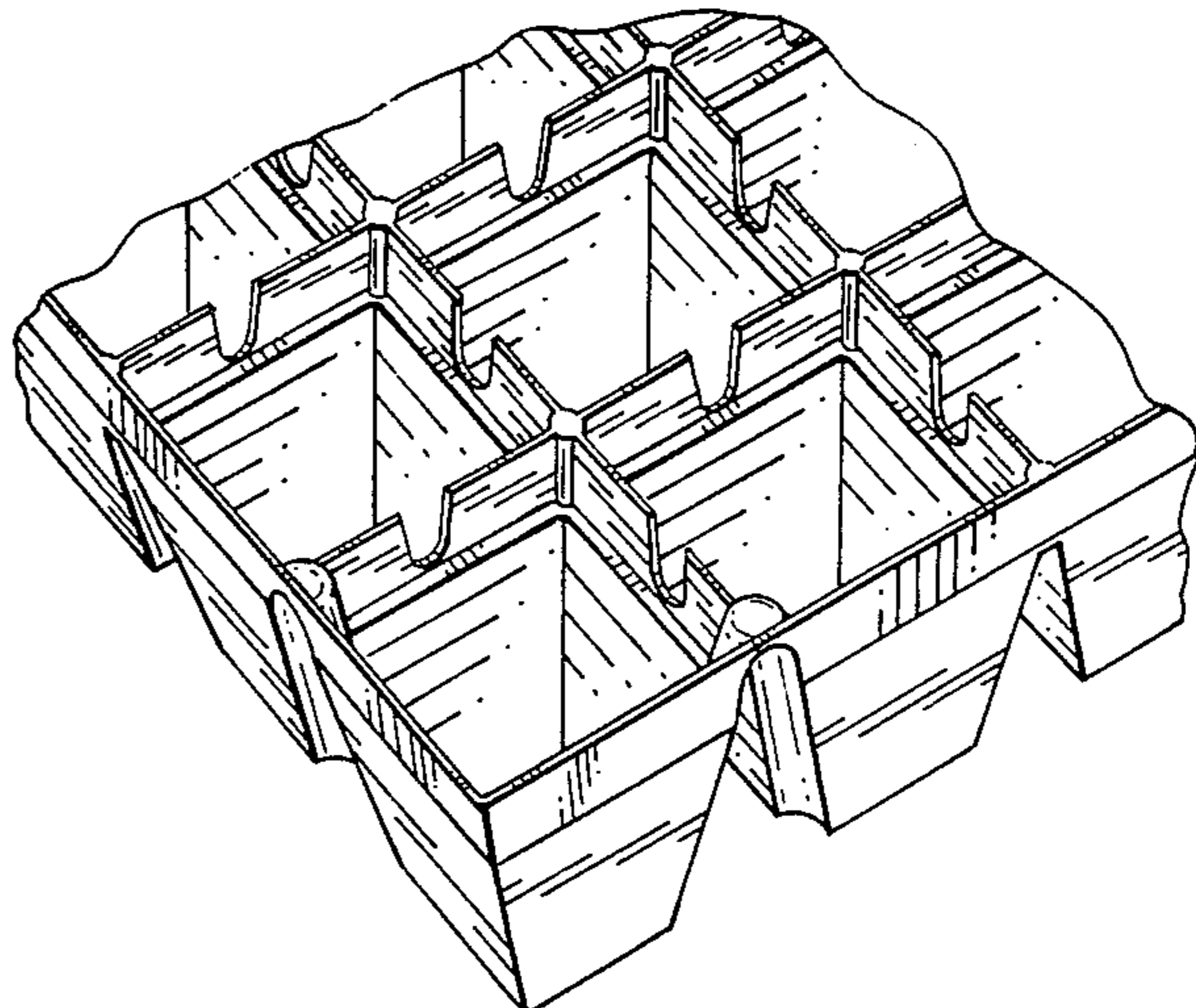
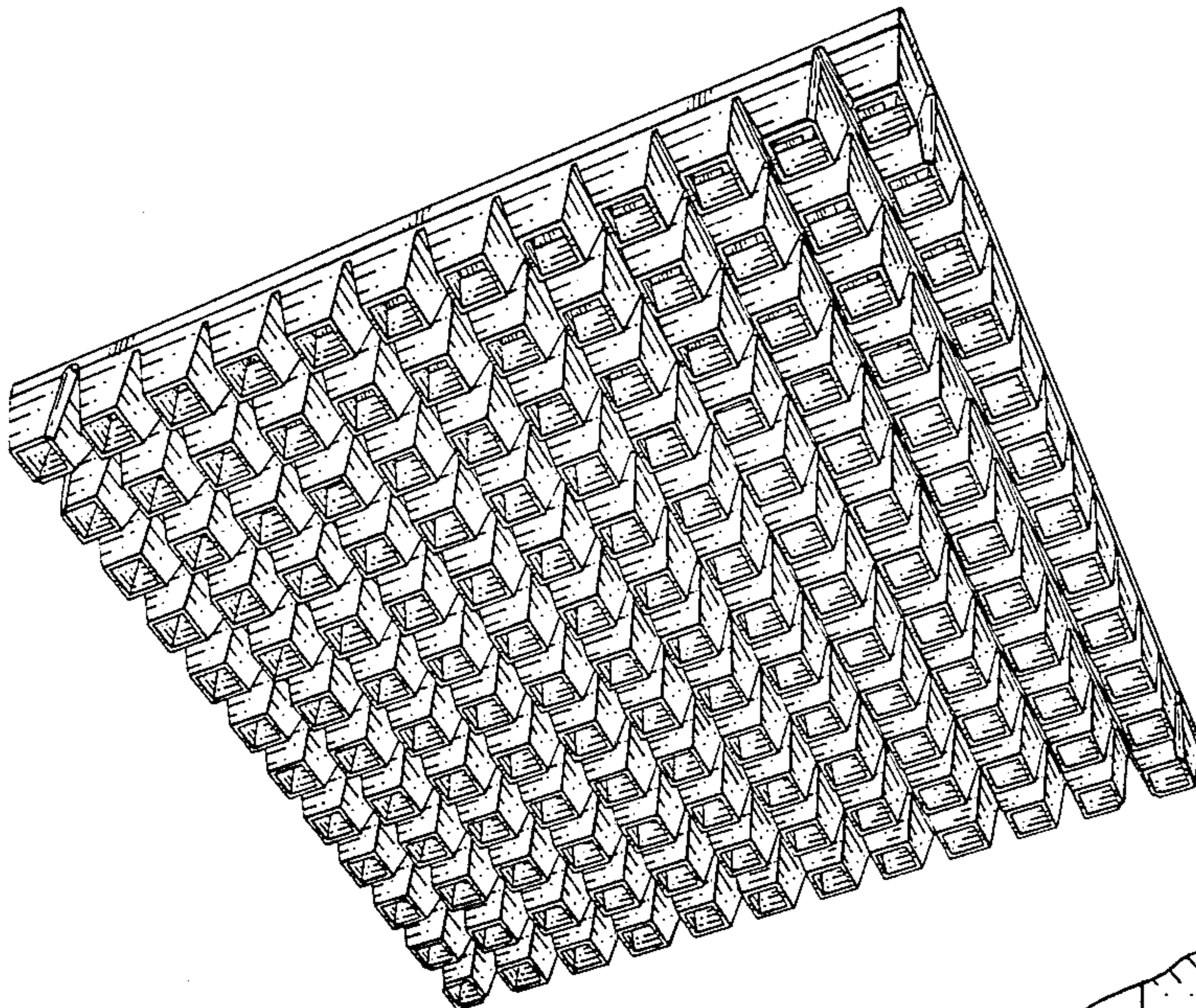
Attorney, Agent, or Firm—Burns, Doane, Swecker & Mathis

[57] CLAIM

The ornamental design of a reusable tray for the growing of seedlings, as shown and described.

DESCRIPTION

FIG. 1 is a top perspective view of a reusable tray for growing of seedlings showing my new design; FIG. 2 is a bottom perspective view thereof; FIG. 3 is an enlarged fragmentary bottom perspective view thereof; FIG. 4 is an enlarged fragmentary top perspective view thereof.





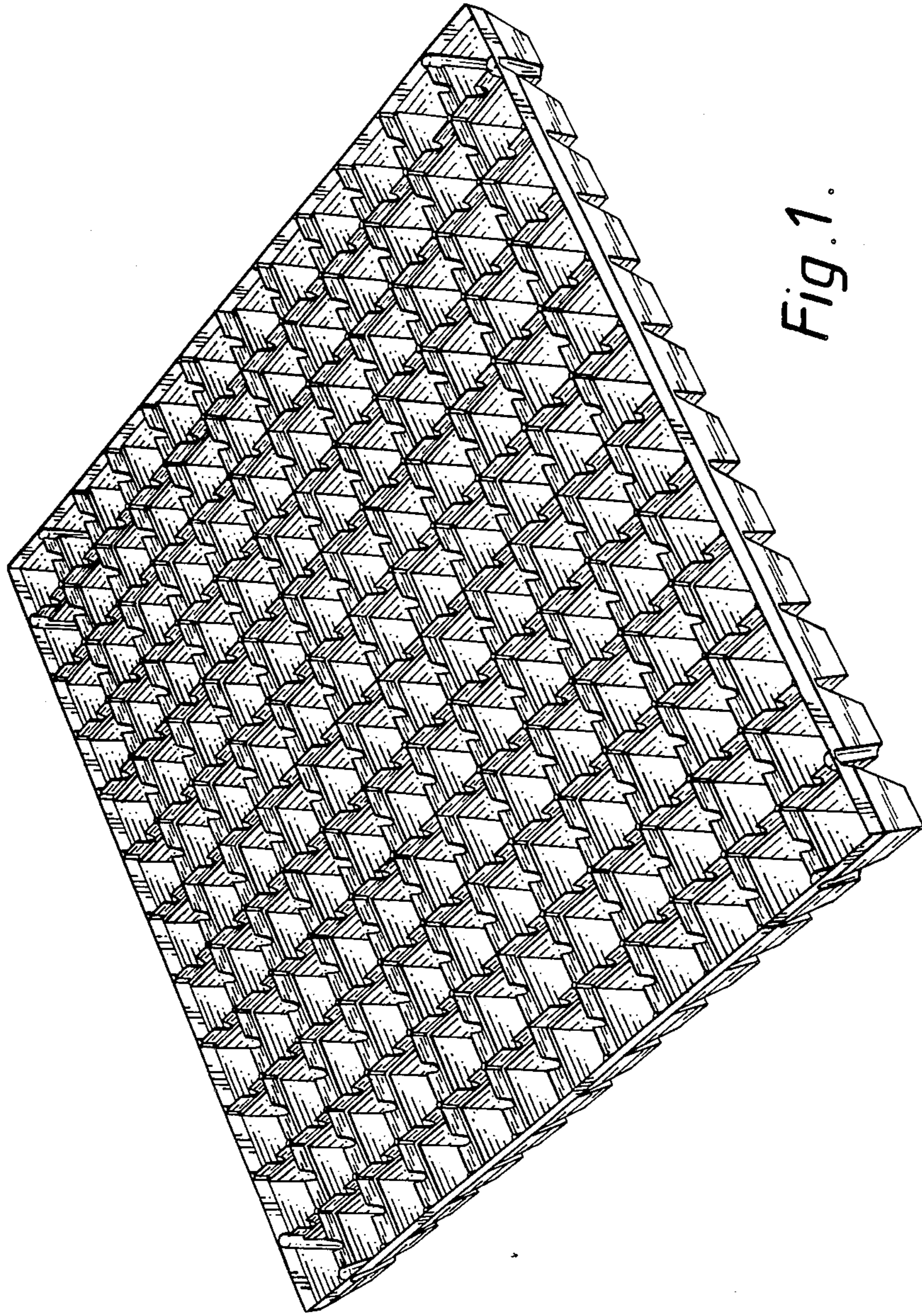


Fig. 1.



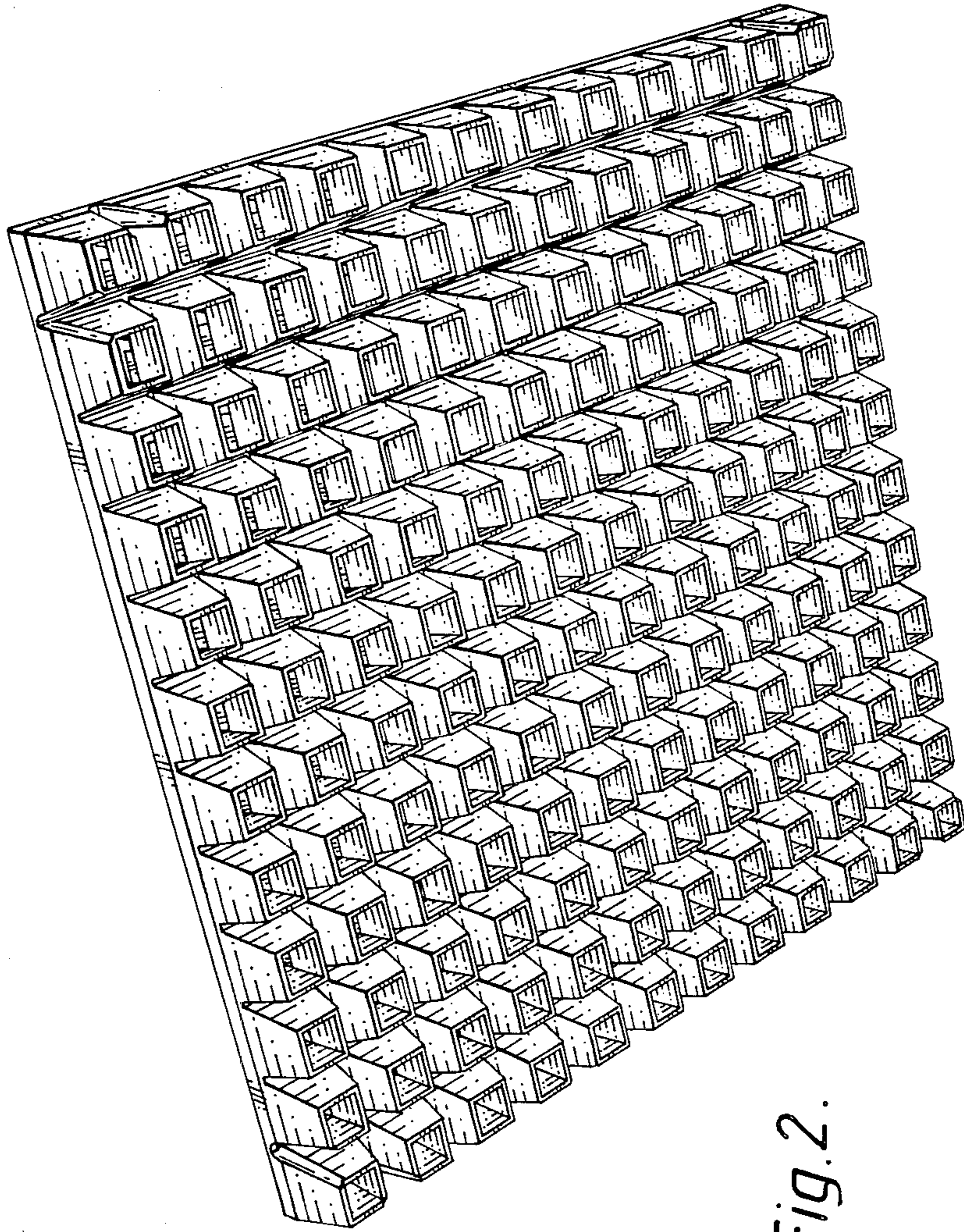
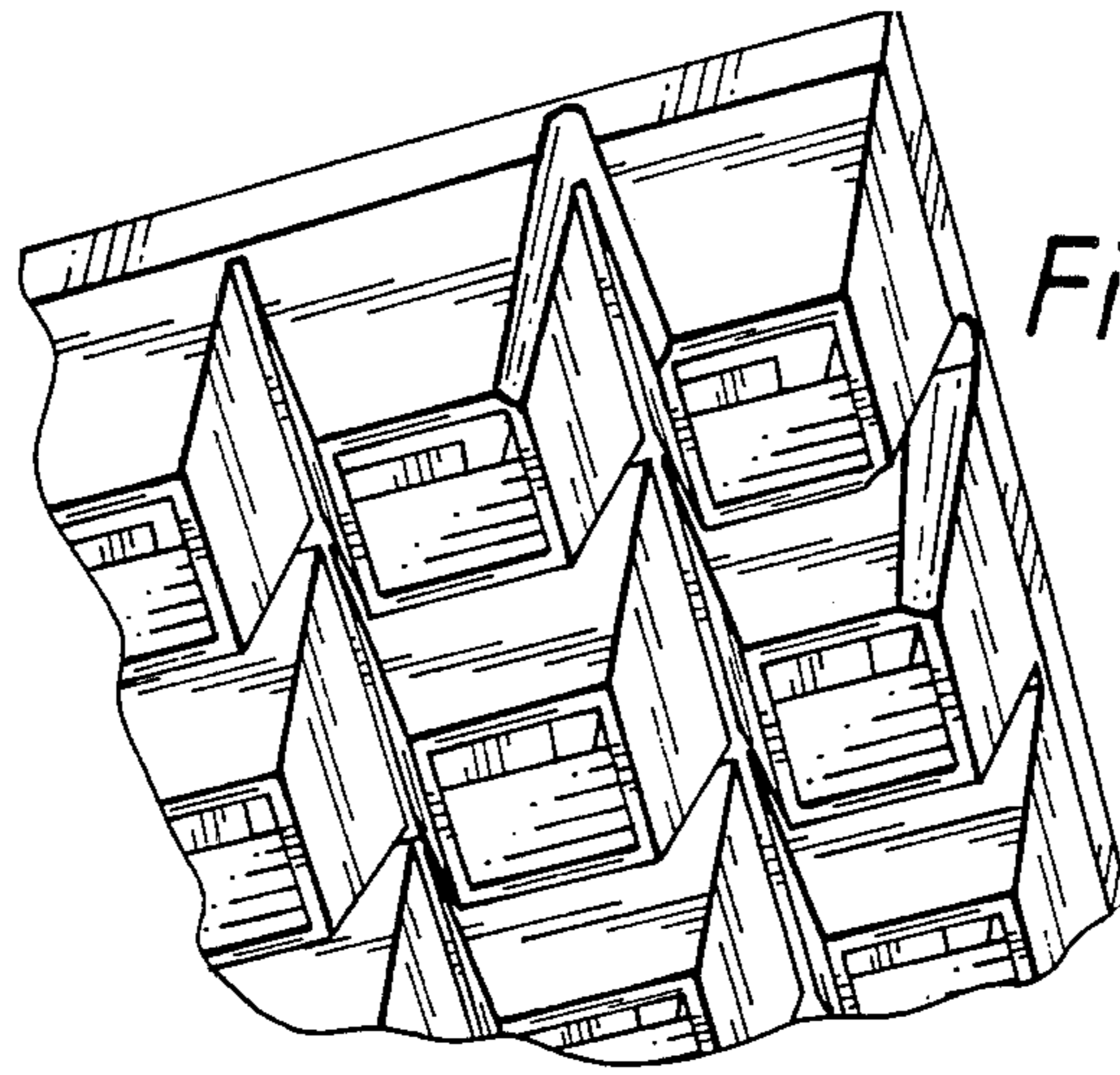
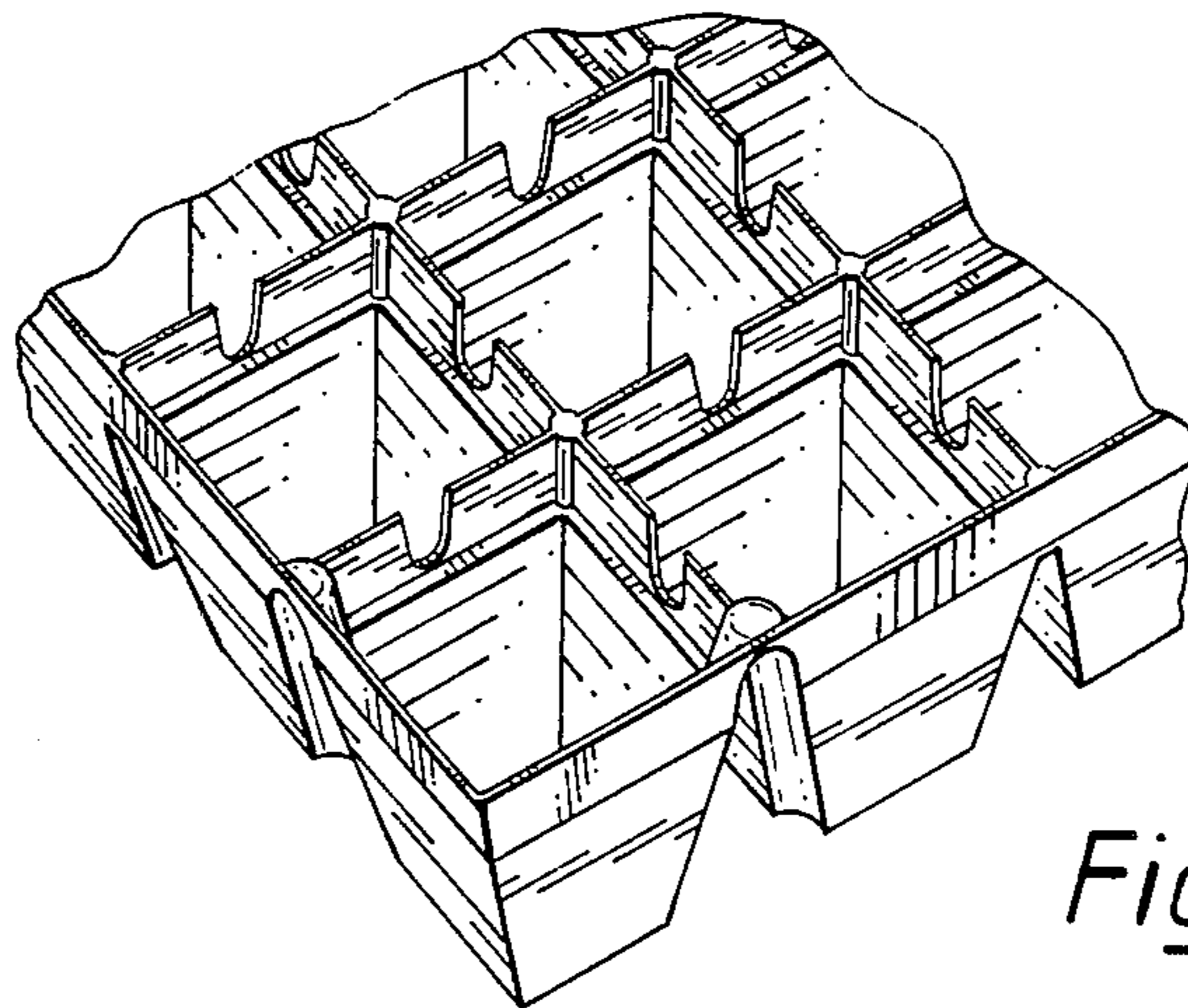


Fig. 2.



*Fig. 3.*



*Fig. 4.*