

[54] SCOREBOARD FOR THE GAME OF DARTS

Attorney, Agent, or Firm—Morland C. Fischer

[75] Inventor: Joseph D. Hinkle, 18906 Conard Ave., Elsinore, Calif. 92330

[57] CLAIM

The ornamental designs for a scoreboard for the game of darts, as shown and described.

[73] Assignees: Joseph D. Hinkle; Joseph J. Lombardi; Ralph E. Benham, all of Elsinore, Calif.

DESCRIPTION

[**] Term: 14 Years

FIG. 1 is a front perspective view of a scoreboard for the game of darts which shows a first embodiment of my new design;

[21] Appl. No.: 773,872

FIG. 2 is a front view of the first embodiment;

[22] Filed: Sep. 9, 1985

FIG. 3 is a backview of the first embodiment;

[52] U.S. Cl. D10/46.1; D14/100

FIG. 4 is a side view of the first embodiment, this side and the opposite side view being of identical design;

[58] Field of Search D10/46.1; D21/13; D14/100; 273/1 ES; 235/1 B

FIG. 5 is a top view of the first embodiment;

FIG. 6 is a bottom view of the first embodiment;

[56] References Cited

U.S. PATENT DOCUMENTS

FIG. 7 is a front perspective view of a scoreboard for the game of darts which shows a second embodiment of my design;

D. 262,951 2/1982 Martin, Jr. D10/46.1

FIG. 8 is a front view of the second embodiment;

D. 265,064 6/1982 Martin, Jr. D10/46.1

FIG. 9 is a back view of the second embodiment;

D. 283,711 5/1986 Deura et al. D14/100

FIG. 10 is a side view of the second embodiment, this side and the opposite side view being of identical design;

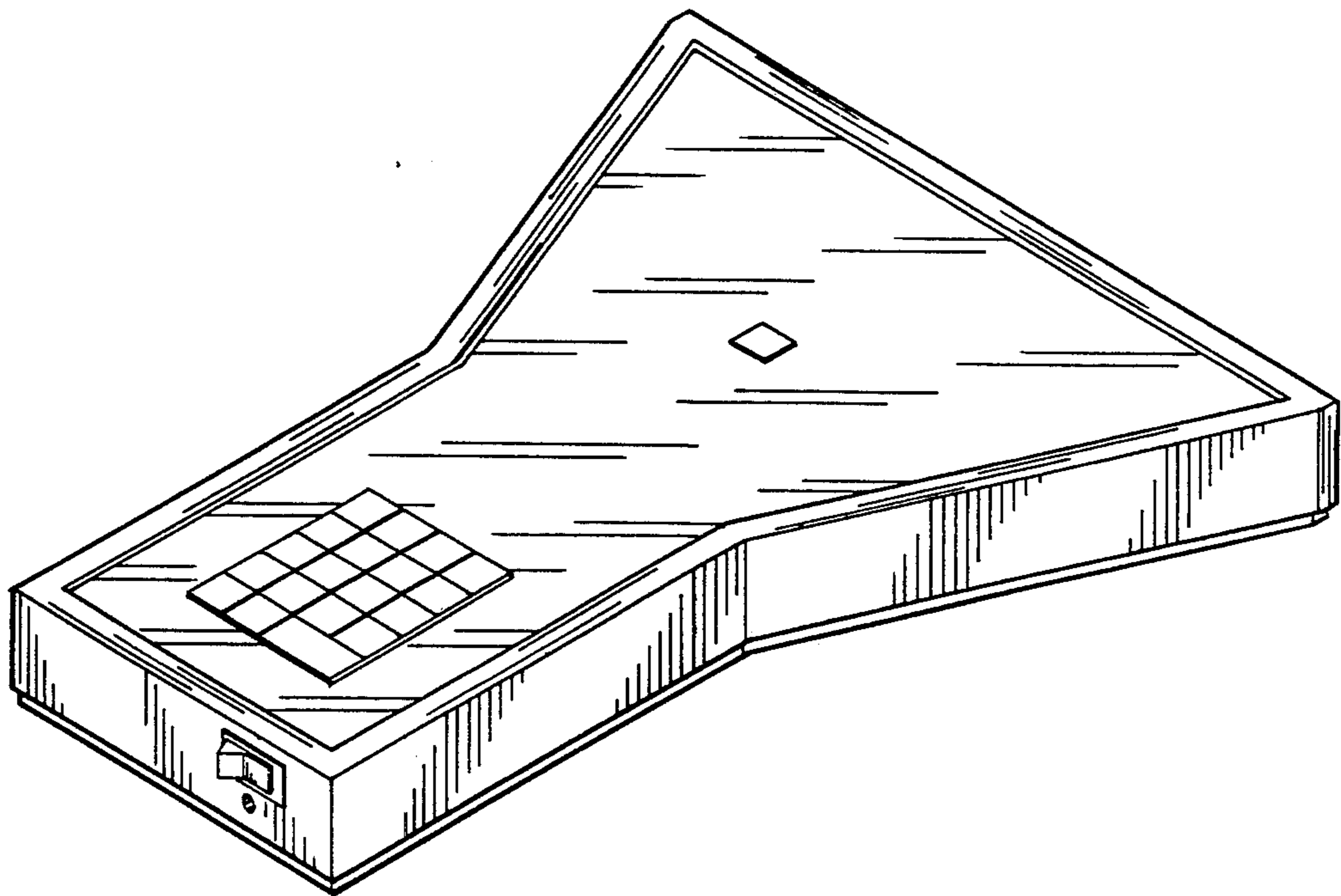
FOREIGN PATENT DOCUMENTS

1563601 3/1980 United Kingdom 273/1 ES

FIG. 11 is a top view of the second embodiment;

FIG. 12 is a bottom view of the second embodiment;

Primary Examiner—Melvin B. Feifer



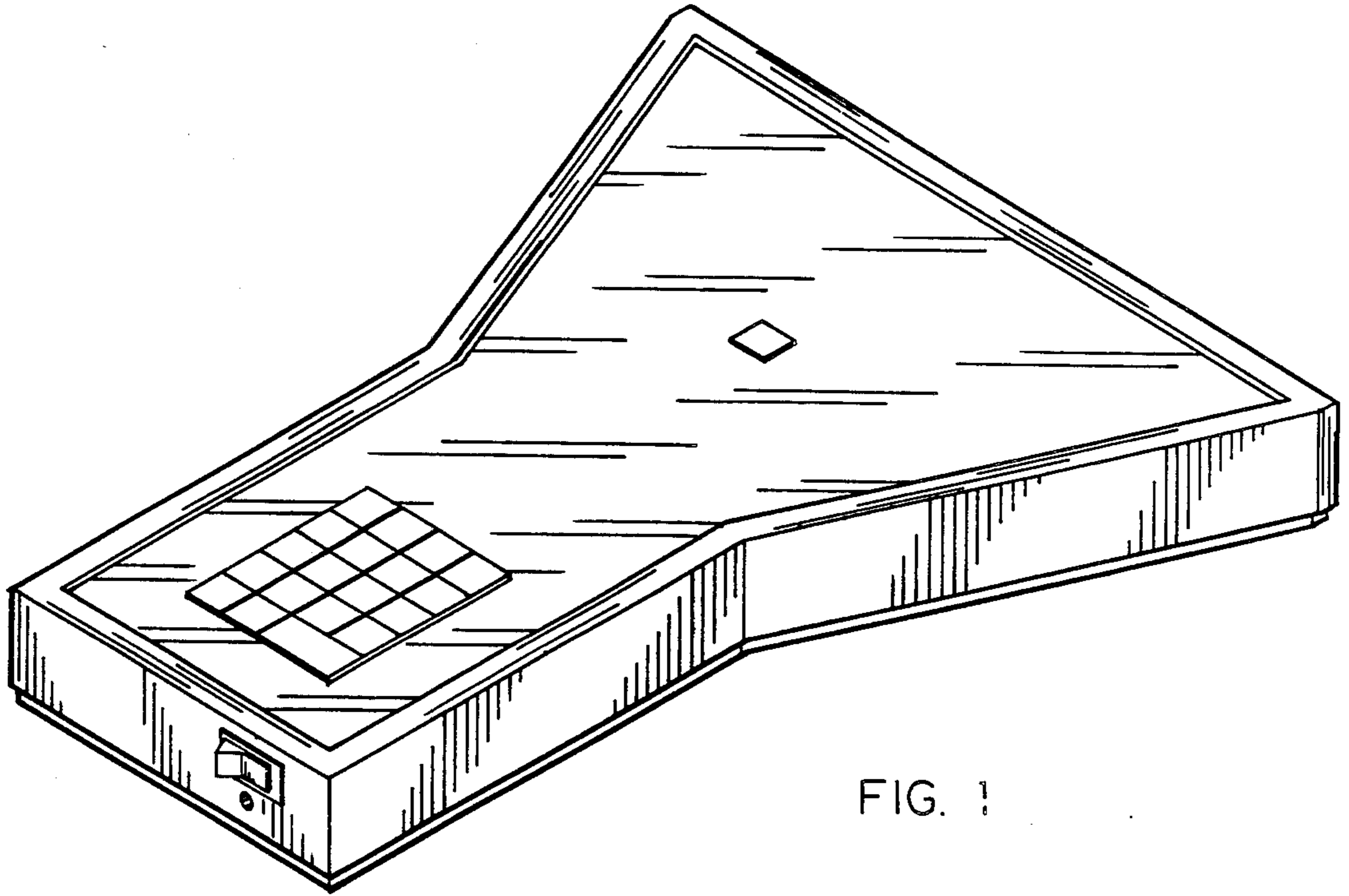


FIG. 1

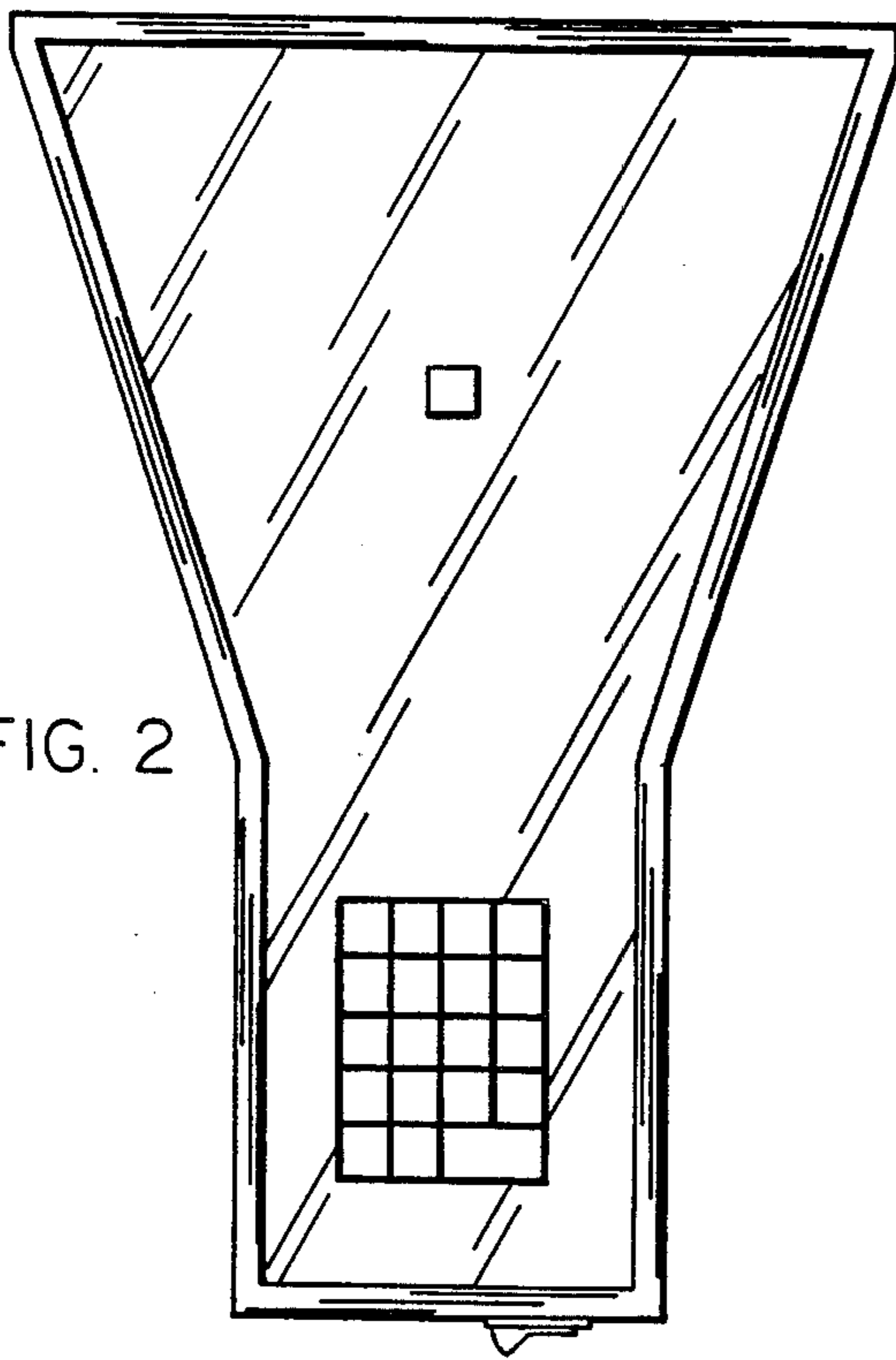


FIG. 2

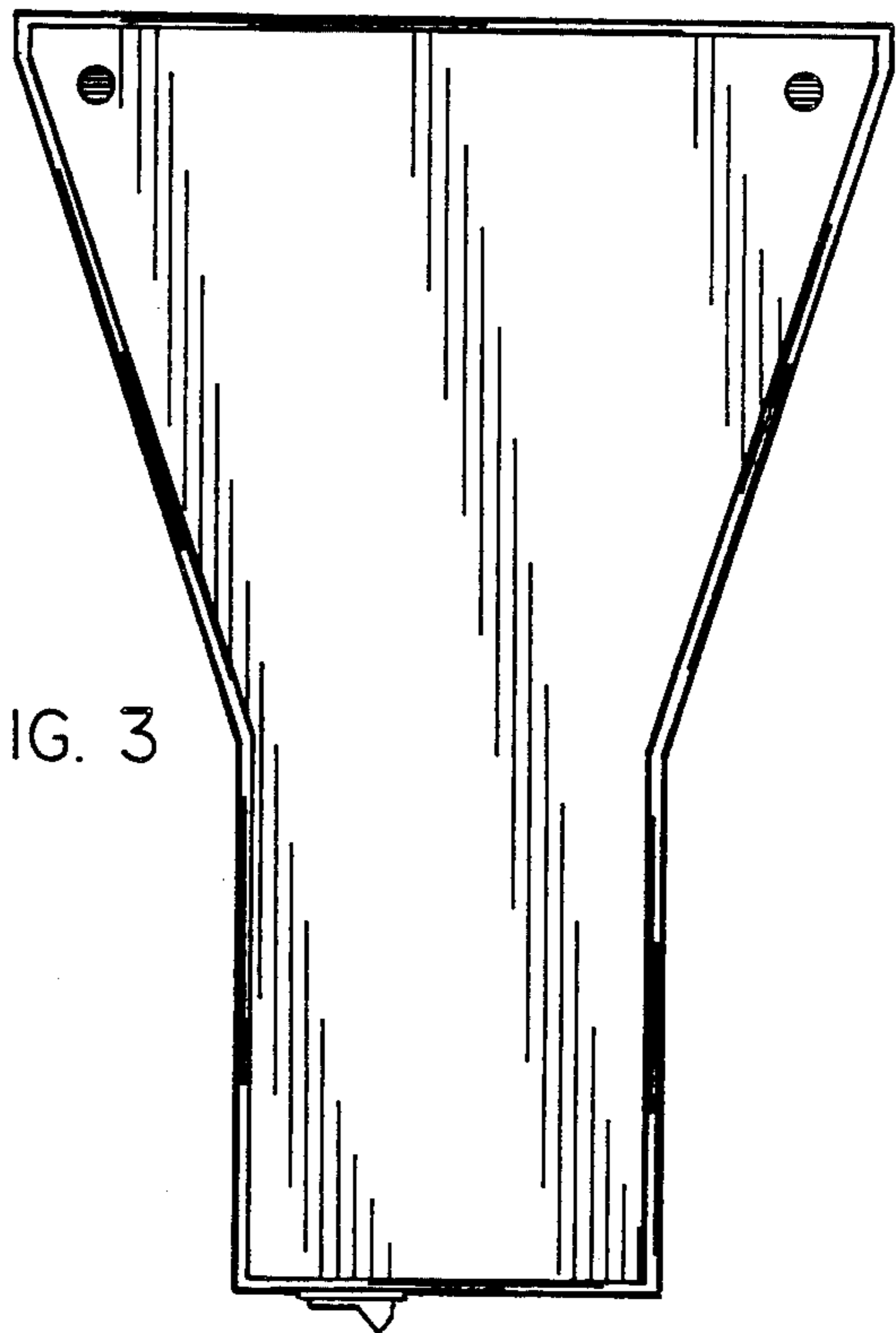


FIG. 3

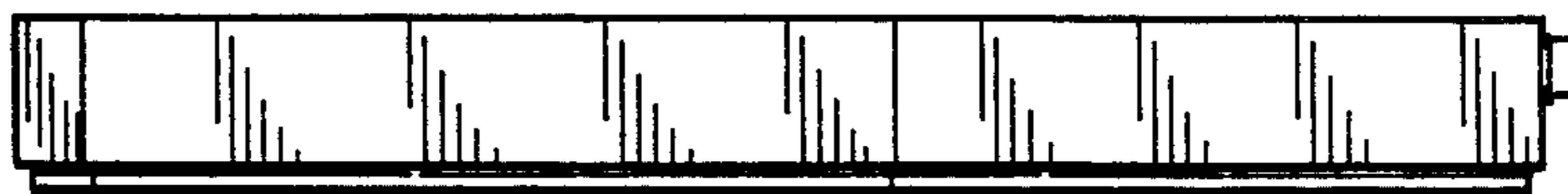


FIG. 4

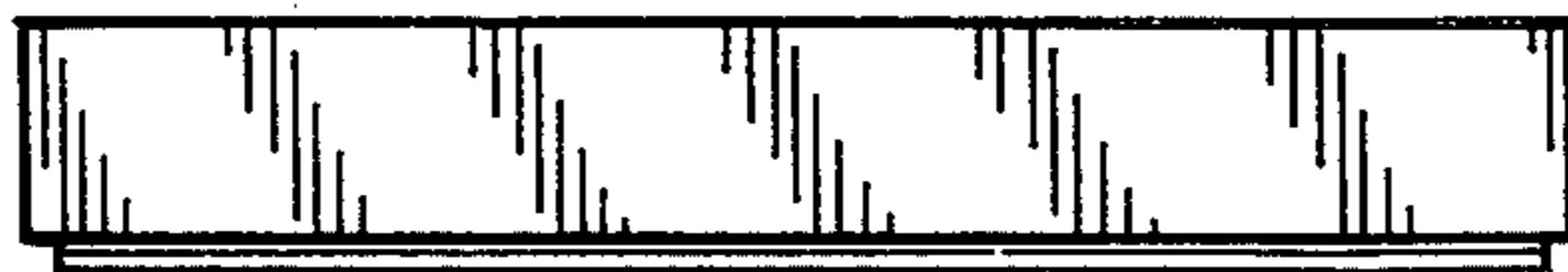


FIG. 5



FIG. 6

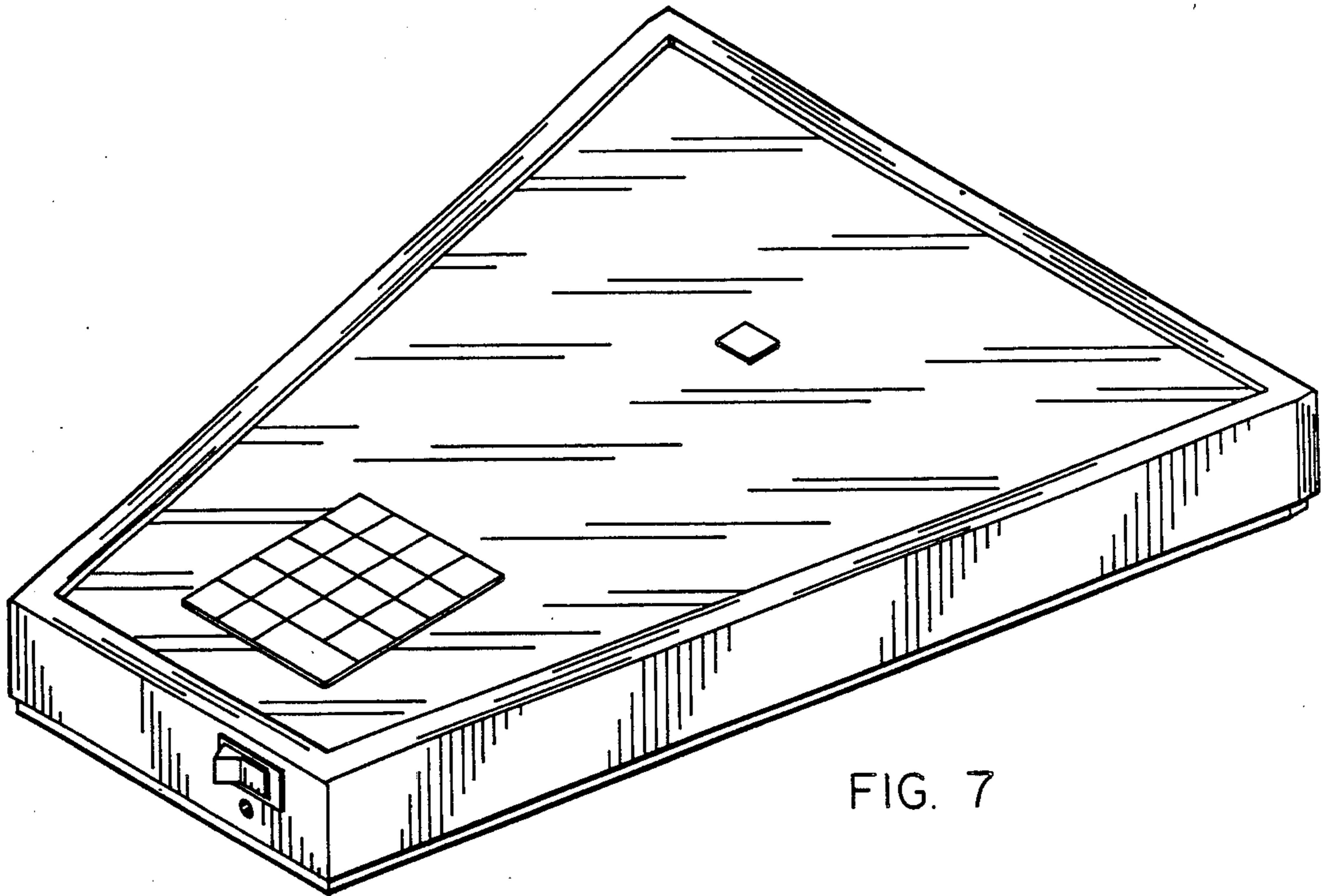


FIG. 7

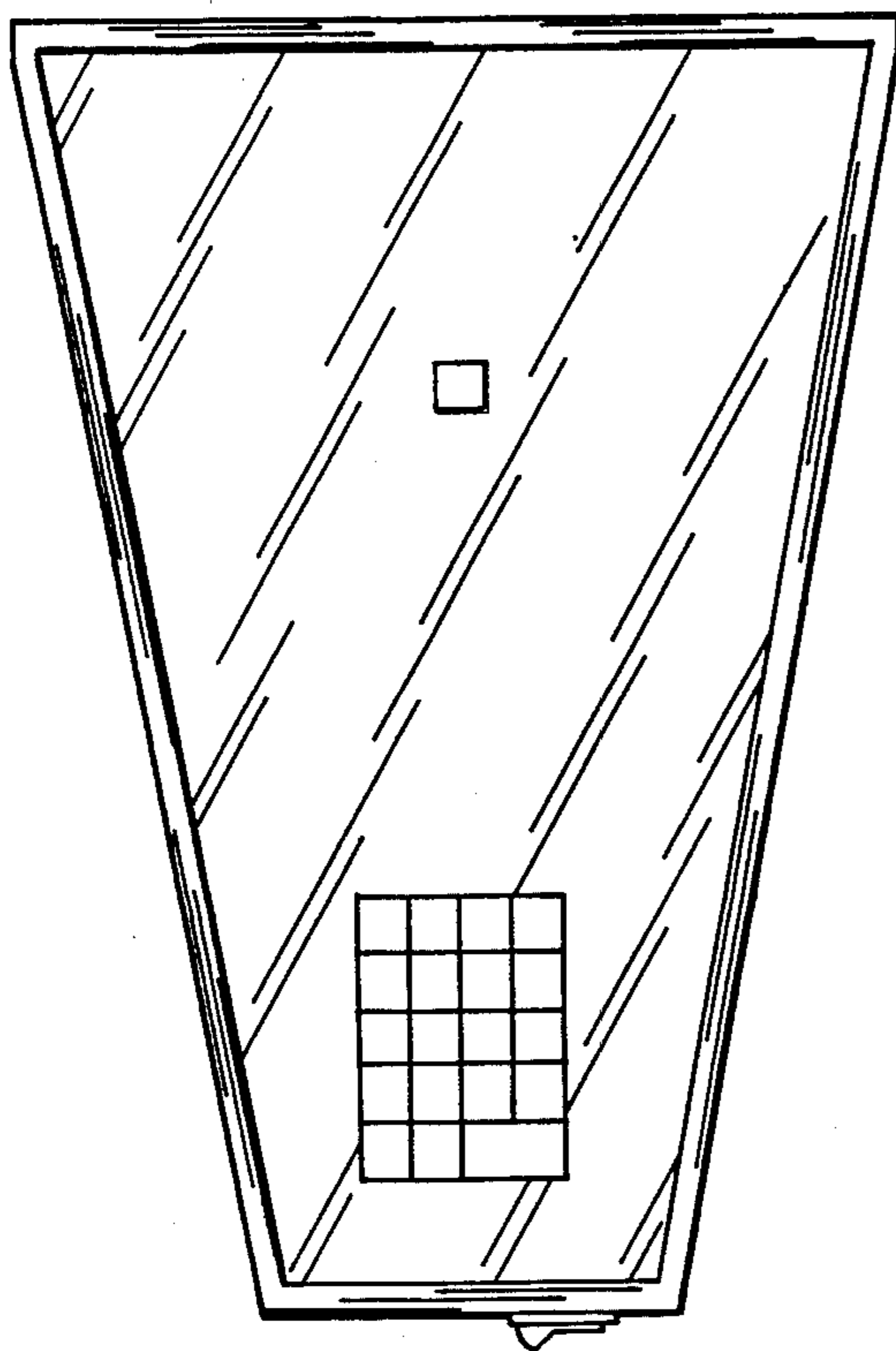


FIG. 8

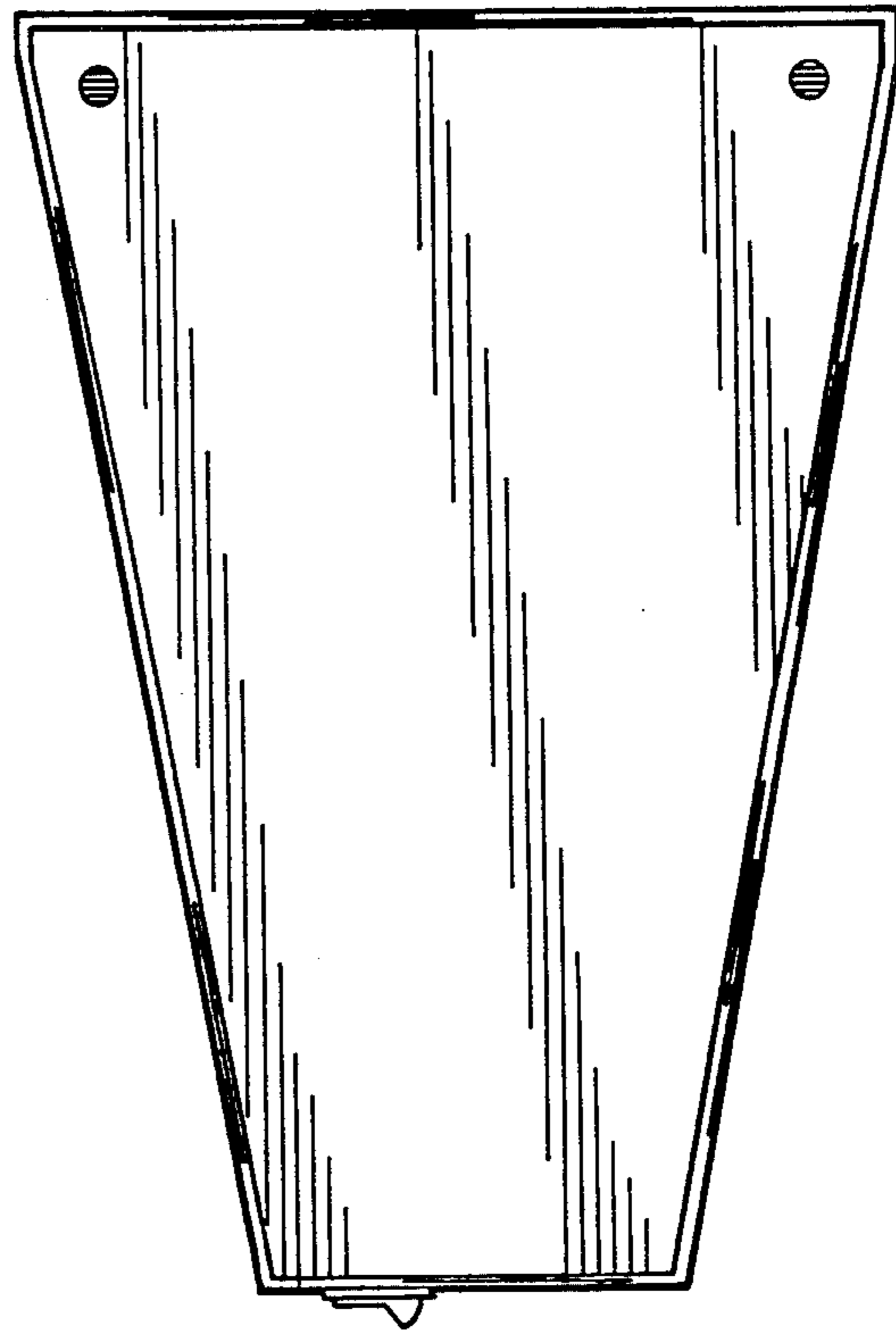


FIG. 9

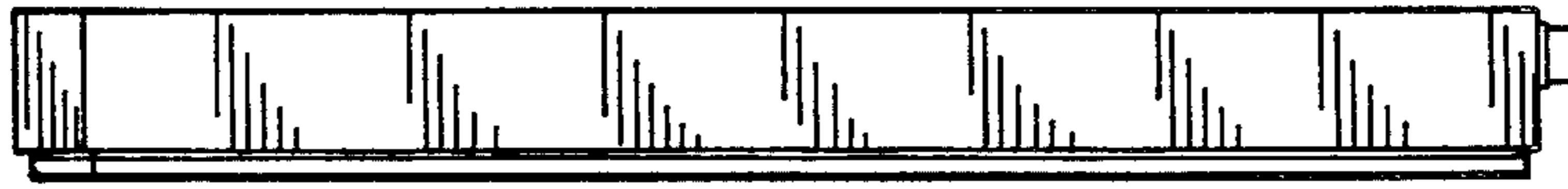


FIG. 10

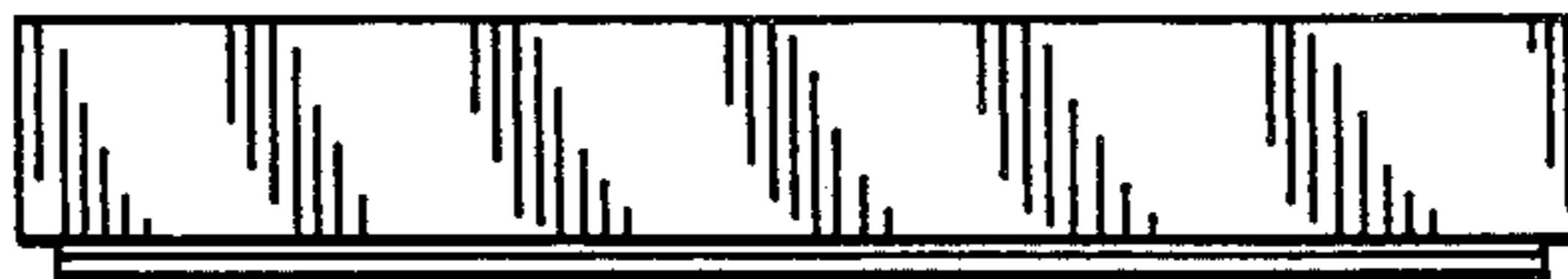


FIG. 11

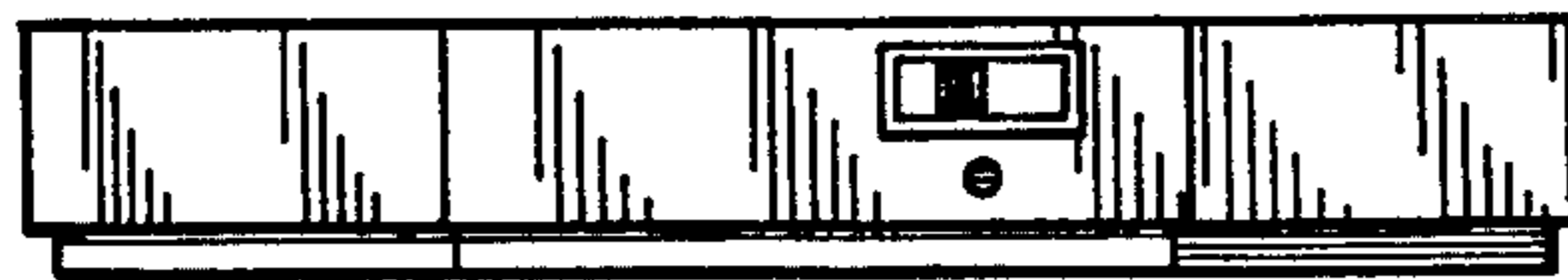


FIG. 12