

United States Patent [19]

Beatty

[11] Patent Number: **Des. 298,916**

[45] Date of Patent: **** Dec. 13, 1988**

[54] STAPLE

[76] Inventor: **Marguerite R. Beatty, 5582 Club View Dr., Yorba Linda, Calif. 92686**

[**] Term: **14 Years**

[21] Appl. No.: **834,445**

[22] Filed: **Feb. 20, 1986**

[52] U.S. Cl. **D8/390**

[58] Field of Search **D8/388, 389, 390; 411/451, 475, 483, 487, 456, 920; 174/159**

[56] **References Cited**

U.S. PATENT DOCUMENTS

D. 205,375 7/1966 Marotz D8/389
662,587 11/1900 Blake 411/439
843,916 2/1907 Taylor et al. 174/159

1,217,968 3/1917 Lotz et al. 411/475
2,528,685 11/1950 Brown 411/456
3,236,142 2/1966 Bradway 411/920
3,605,402 9/1971 Larson 411/451
3,787,608 1/1974 Colby 174/159

Primary Examiner—B. J. Bullock
Attorney, Agent, or Firm—Roger A. Marrs

[57] **CLAIM**

The ornamental design for a staple, as shown.

DESCRIPTION

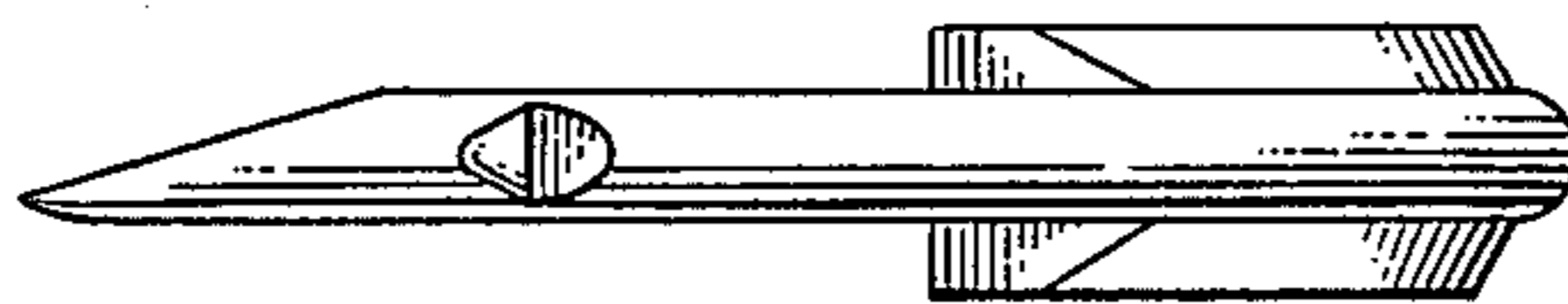
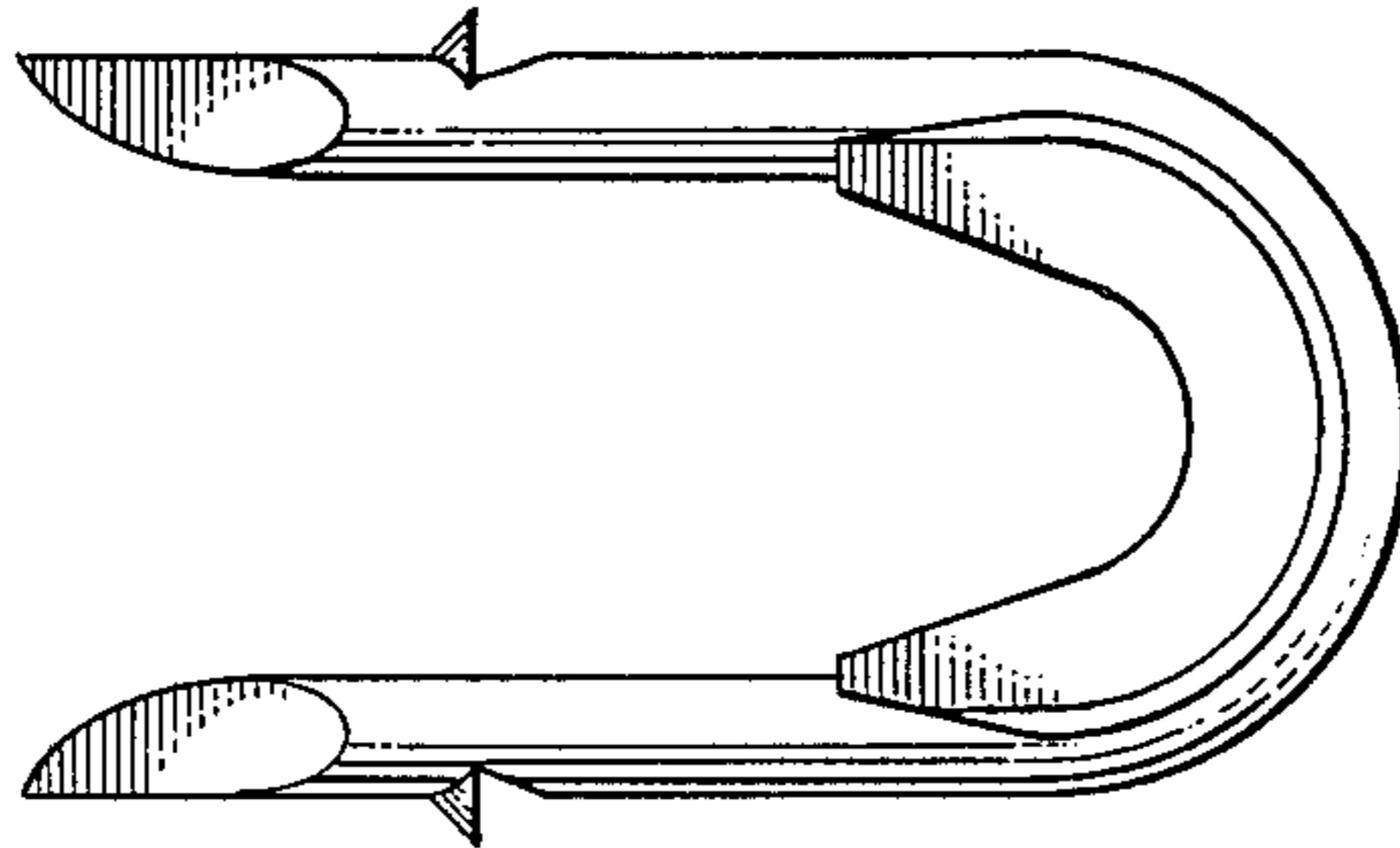
FIG. 1 is a front elevational view of a staple showing my new design;

FIG. 2 is a side elevational view thereof;

FIG. 3 is a bottom plan view thereof;

FIG. 4 is a top plan view thereof; and

FIG. 5 is a rear elevational view thereof.



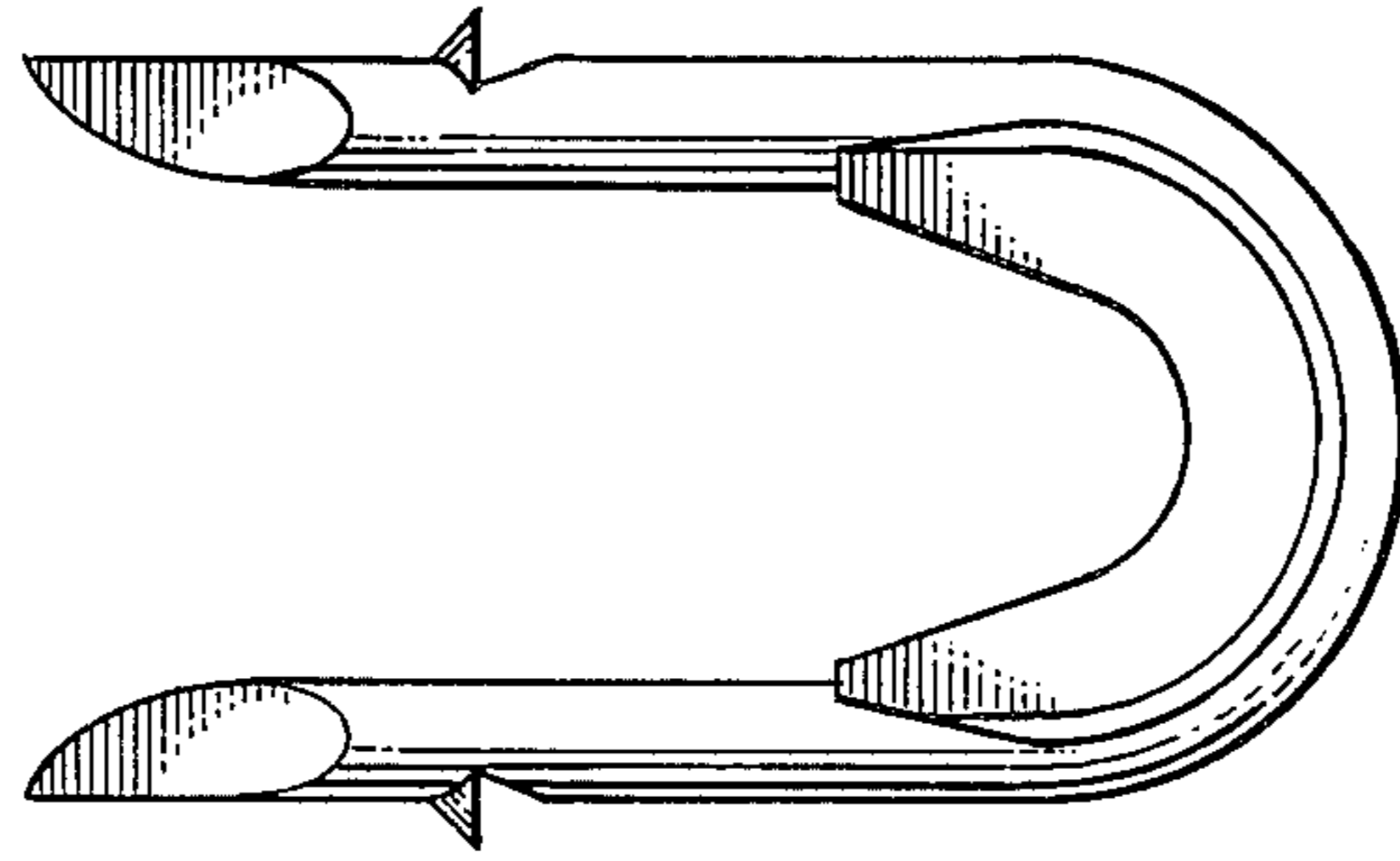


FIG. 1.

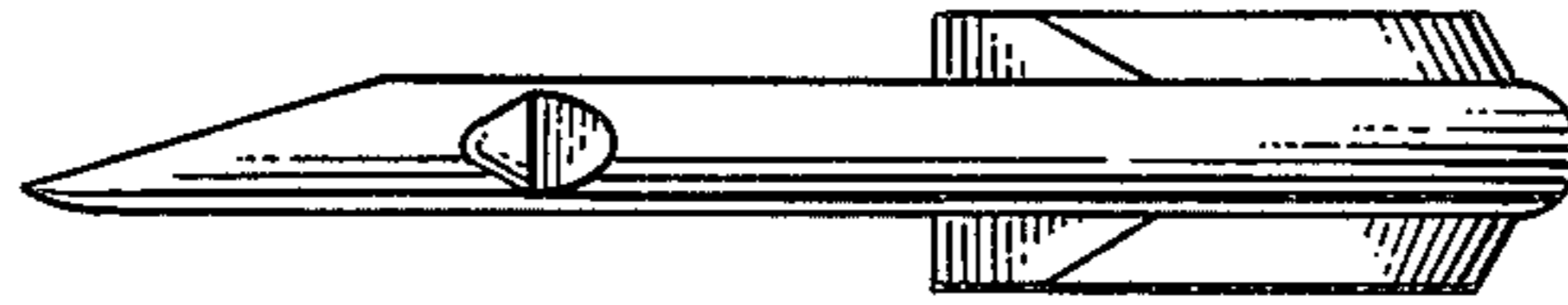


FIG. 2.

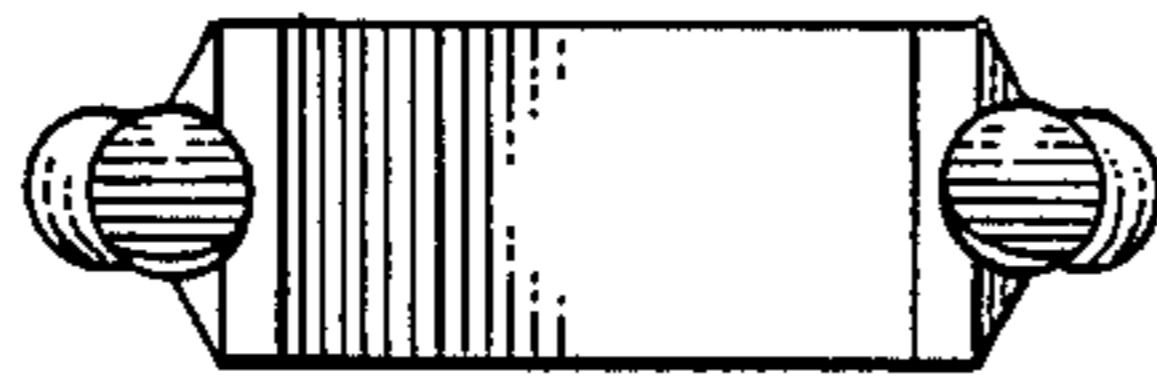


FIG. 3.

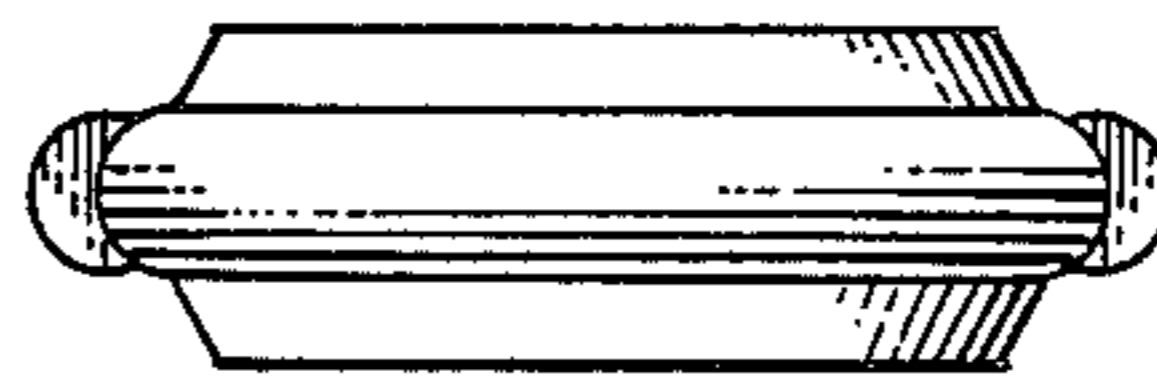


FIG. 4.

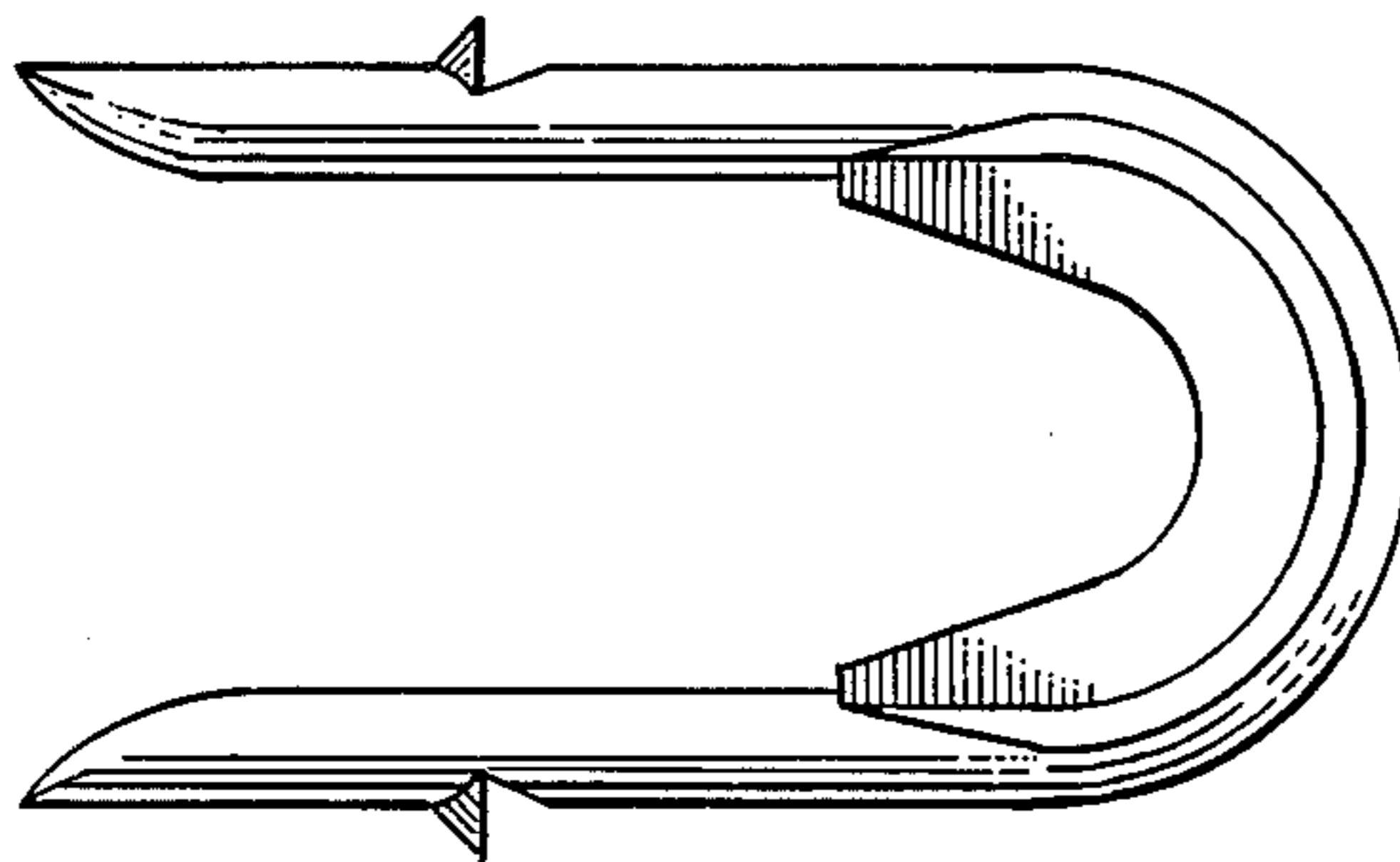


FIG. 5.