

[54] **AIR ROLLER SANDER**  
 [76] **Inventor: William J. Hartle, 460 Nantucket Dr., Apt. U, Vermillion, Ohio 44089**  
 [\*\*] **Term: 14 Years**  
 [21] **Appl. No.: 737,881**  
 [22] **Filed: May 28, 1985**  
 [52] **U.S. Cl. .... D8/62**  
 [58] **Field of Search ..... D8/62, 70; 51/170 R, 51/170 PT, 364**

3,907,257 9/1975 Drzewiecki ..... 51/170 PT

**FOREIGN PATENT DOCUMENTS**

277203 12/1926 United Kingdom ..... 51/170 PT

*Primary Examiner—James M. Gandy*  
*Attorney, Agent, or Firm—Antonelli, Terry Wands*

[57] **CLAIM**

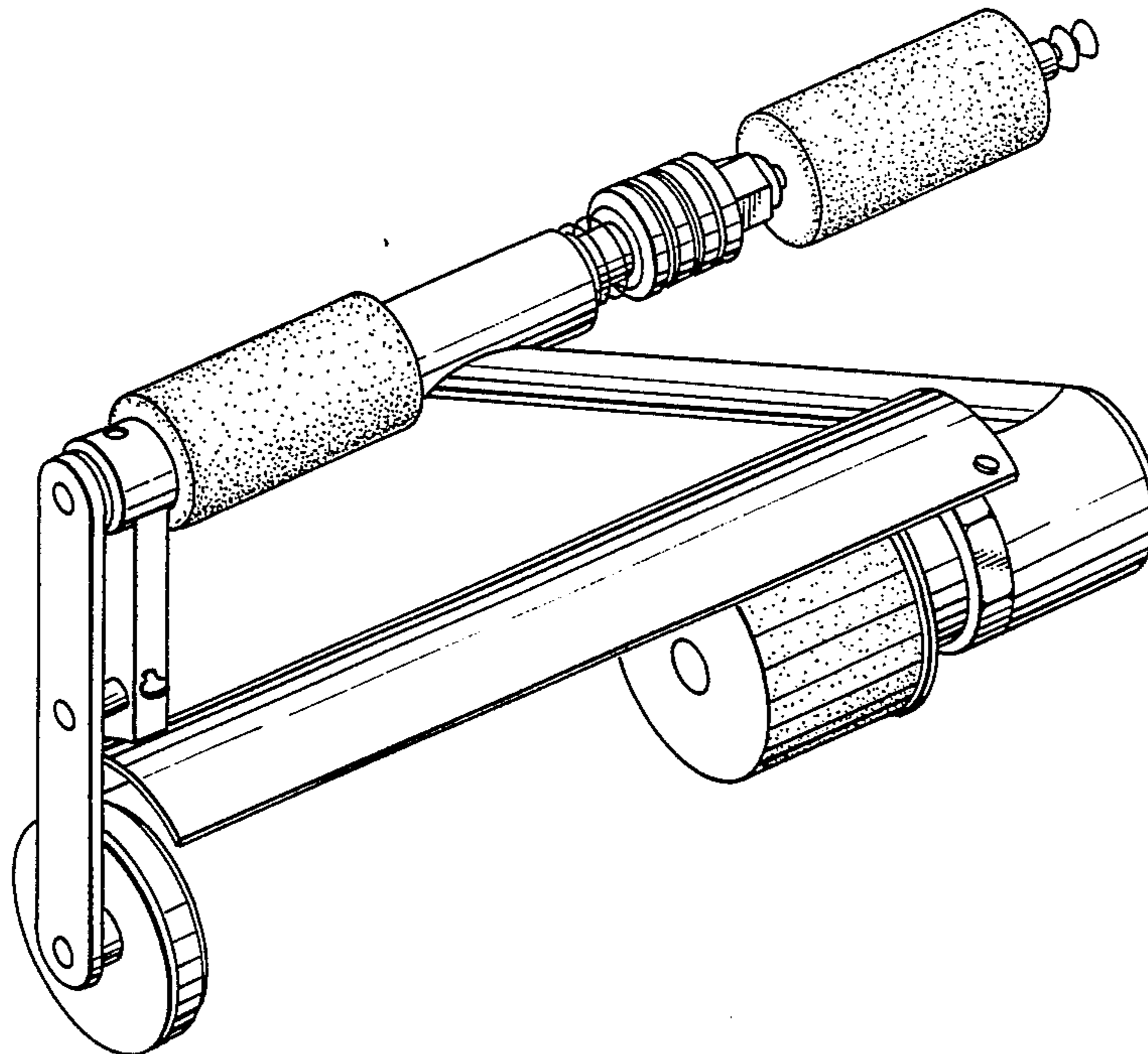
The ornamental design for an air roller sander, as shown and described.

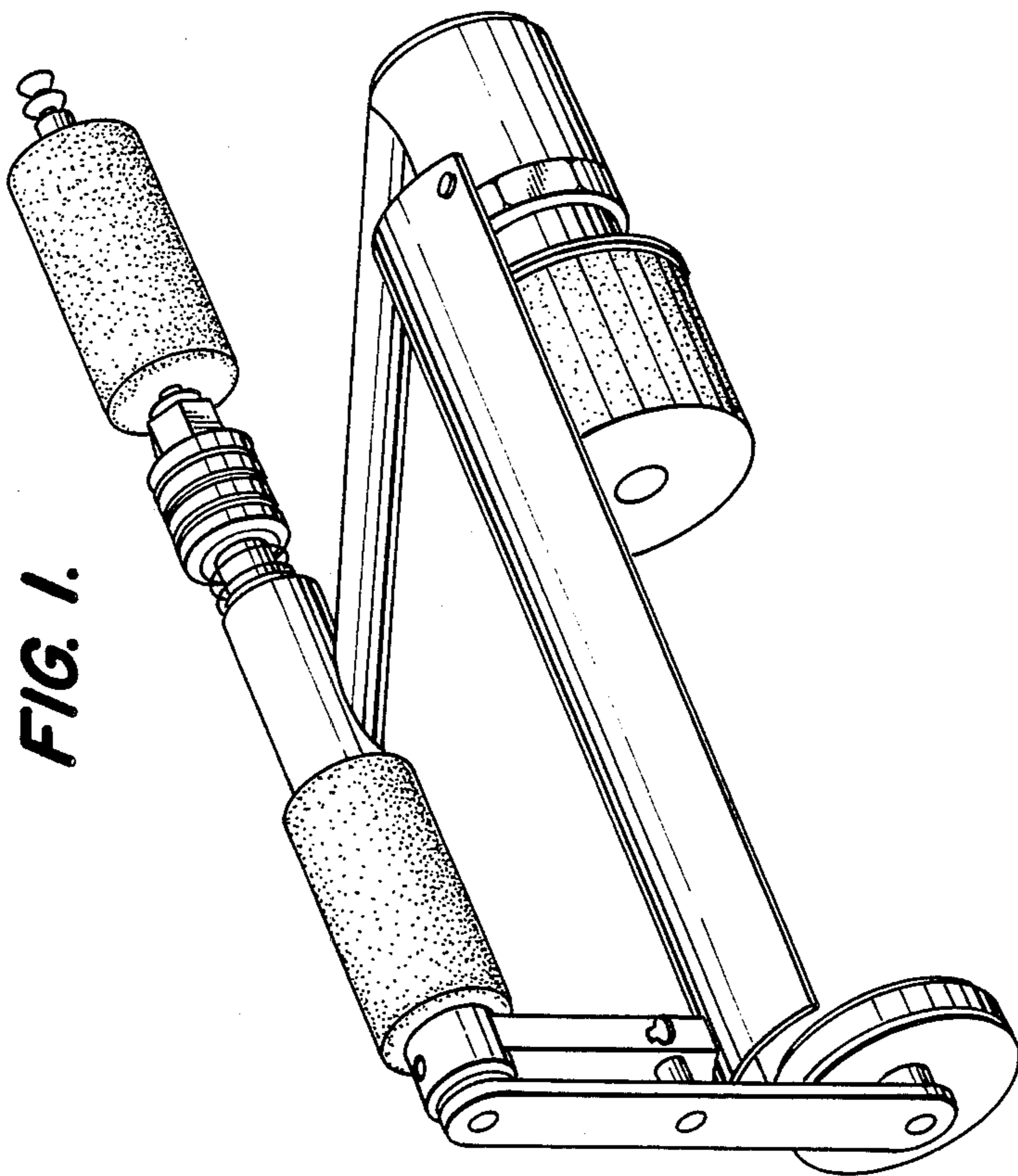
**DESCRIPTION**

FIG. 1 is a perspective view of an air roller sander showing my new design;  
 FIG. 2 is an end elevation view thereof;  
 FIG. 3 is an opposite end elevation view thereof;  
 FIG. 4 is a side elevation view thereof, the opposite side being substantially a mirror image of that shown;  
 FIG. 5 is a top plan view thereof;  
 FIG. 6 is a bottom plan view thereof; and  
 FIG. 7 is a side elevation view thereof it being understood that the broken line showing of a sand paper sleeve is for illustrative purposes only and forms no part of the claimed design.

[56] **References Cited**  
**U.S. PATENT DOCUMENTS**

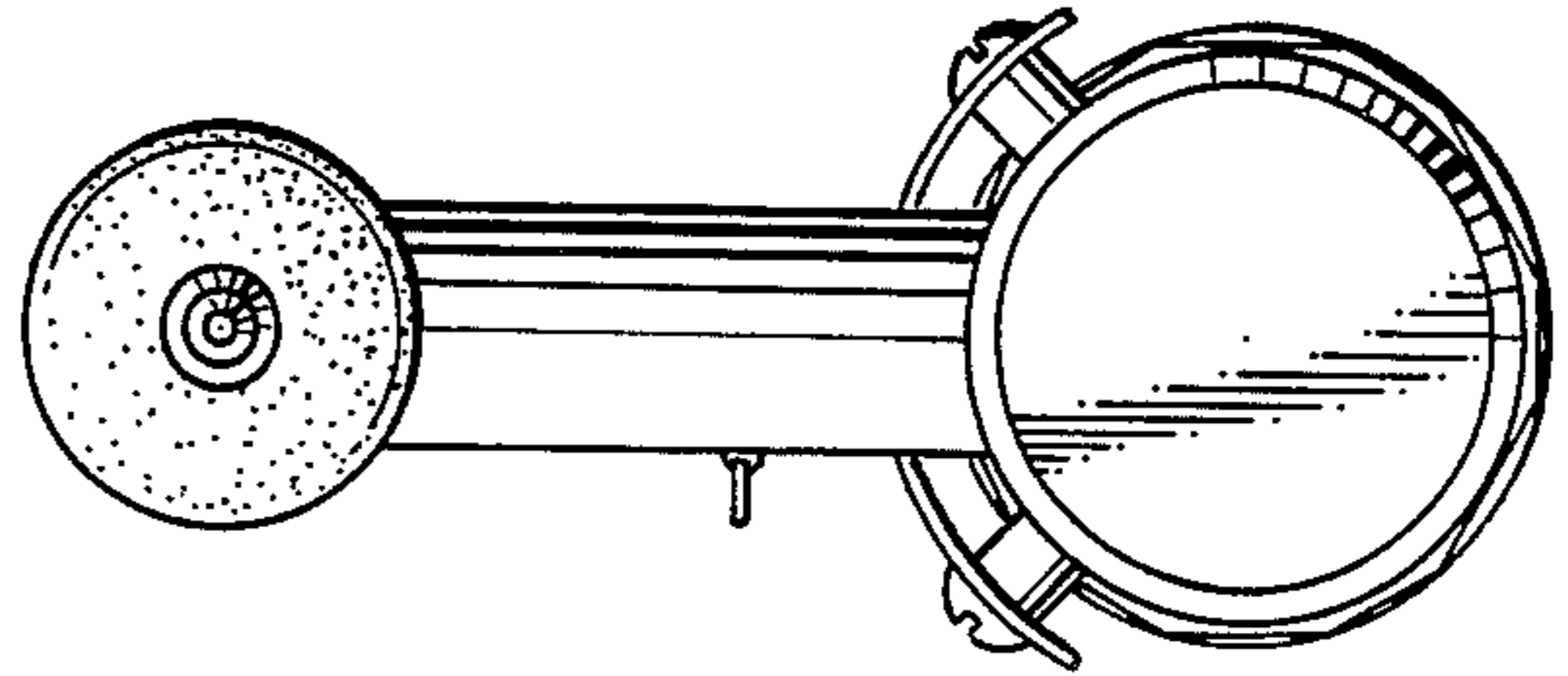
D. 269,847	7/1983	Izumisawa .....	D8/62
819,578	9/1905	McCoy .....	51/170
2,545,453	9/1945	Forss .....	121/34
2,554,763	7/1950	Wickman .....	51/190
2,570,009	6/1948	Schmid .....	121/34
3,395,495	10/1965	Powanda .....	51/170
3,596,411	3/1970	Hutchins .....	51/170
3,648,413	3/1972	Godwin et al. ....	51/170 PT
3,656,920	4/1972	Helms .....	51/170 PT
3,869,832	3/1975	Atwater .....	51/170 PT



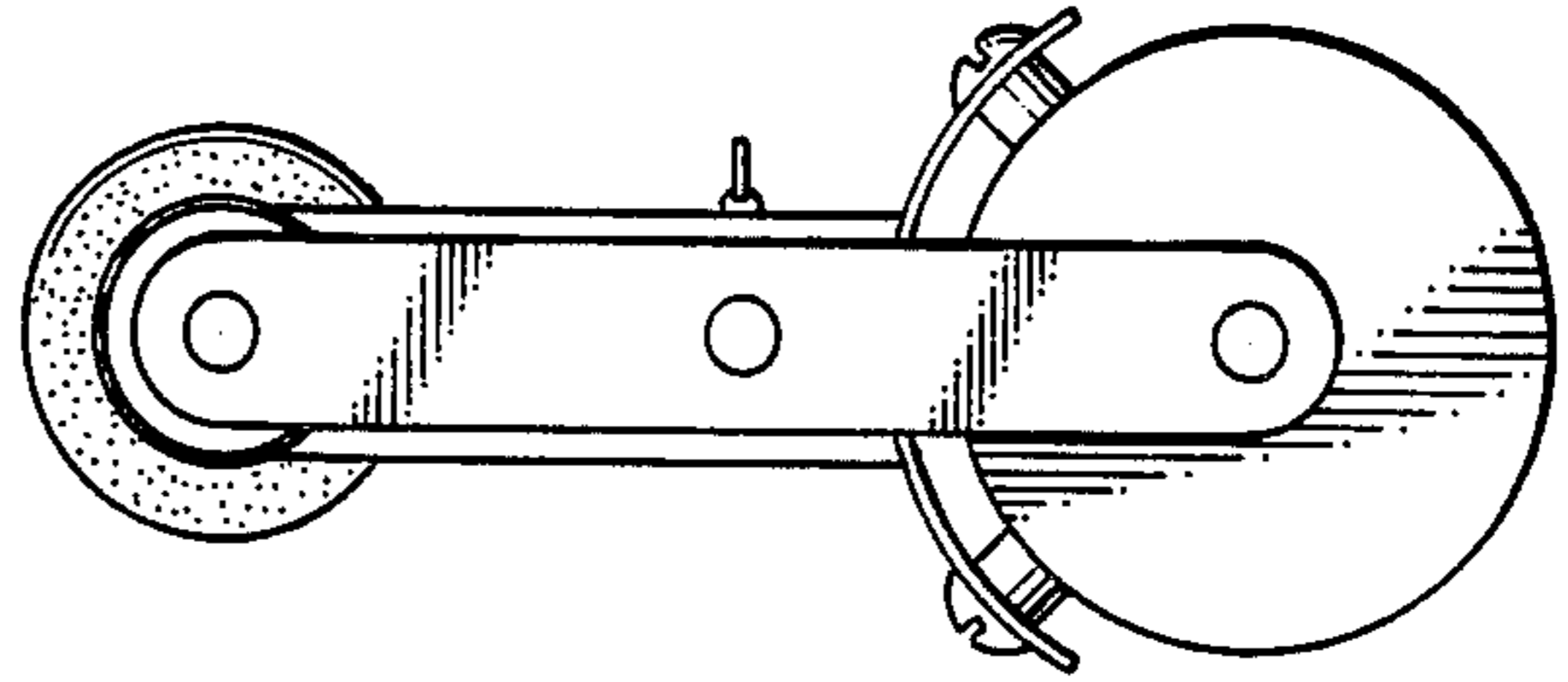


**FIG. 1.**

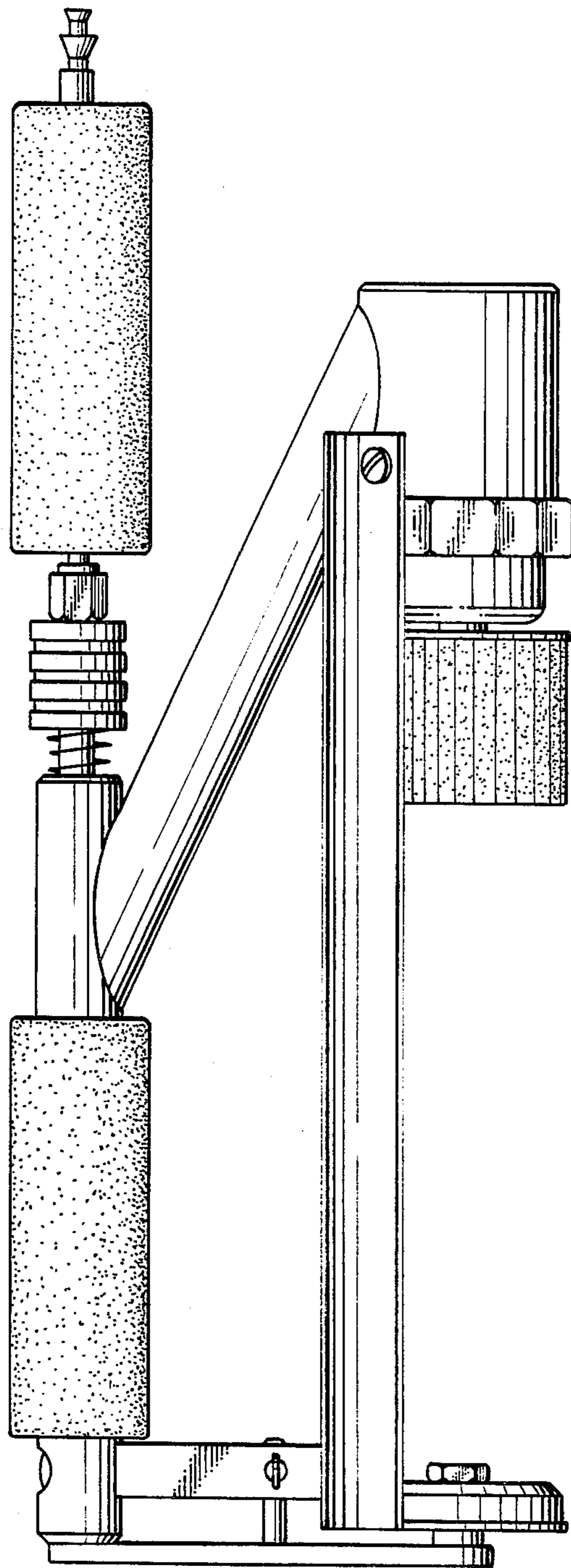
**FIG. 2.**



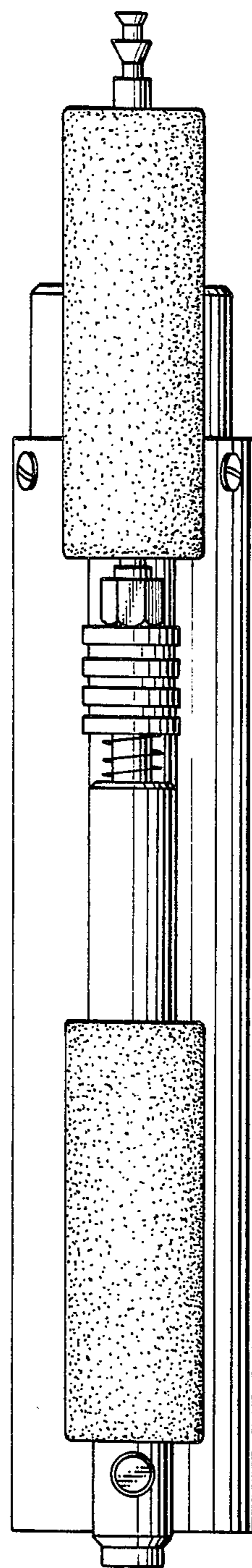
**FIG. 3.**



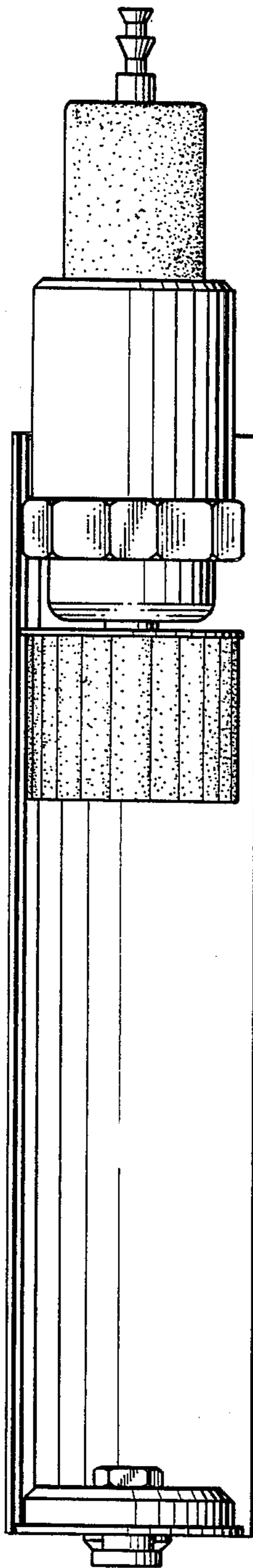
**FIG. 4.**



**FIG. 5.**



*FIG. 6.*



*FIG. 7.*

