

[54] ROTARY CUTTING HEAD FOR A LAWN TRIMMER

[75] Inventors: Thomas G. Petherick, Ganse Voort, N.Y.; Vittorio D'Alessio, Barasso, Italy

[73] Assignee: Kadco, Inc., Saratoga, N.Y.

[**] Term: 14 Years

[21] Appl. No.: 867,275

[22] Filed: May 23, 1986

[52] U.S. Cl. D8/8

[58] Field of Search D8/7-8; 56/12.7, 294-295, 249; 30/276

[56] References Cited

U.S. PATENT DOCUMENTS

| | | | | |
|------------|---------|---------------|-------|--------|
| D. 252,130 | 6/1979 | Hoff | | D8/8 |
| D. 262,512 | 1/1982 | Moore | | D8/8 |
| 273,169 | 3/1984 | Rahe et al. | | 8/8 |
| 4,035,912 | 7/1977 | Ballas et al. | | 30/276 |
| 4,052,789 | 10/1977 | Ballas | | 30/276 |

| | | | | |
|-----------|---------|--------------|-------|--------|
| 4,134,204 | 1/1979 | Perdue | | 30/276 |
| 4,203,212 | 5/1980 | Proulx | | 30/276 |
| 4,229,882 | 10/1980 | Chartier | | 30/276 |
| 4,259,782 | 4/1981 | Proulx | | 30/276 |
| 4,274,201 | 6/1981 | Oberg et al. | | 30/276 |
| 4,524,515 | 6/1985 | Oberg | | 30/276 |
| 4,584,771 | 4/1986 | Tillotson | | 30/276 |

Primary Examiner—Wallace R. Burke

Assistant Examiner—Brian N. Vinson

[57] CLAIM

The ornamental design for a rotary cutting head for a lawn trimmer, as shown and described.

DESCRIPTION

FIG. 1 is a perspective view of a rotary cutting head for lawn trimmer showing our new design;
 FIG. 2 is a top plan view thereof;
 FIG. 3 is a bottom plan view thereof;
 FIG. 4 is a front elevational view thereof, the rear being identical in appearance; and
 FIG. 5 is a side elevational view thereof, the opposite side being identical in appearance.

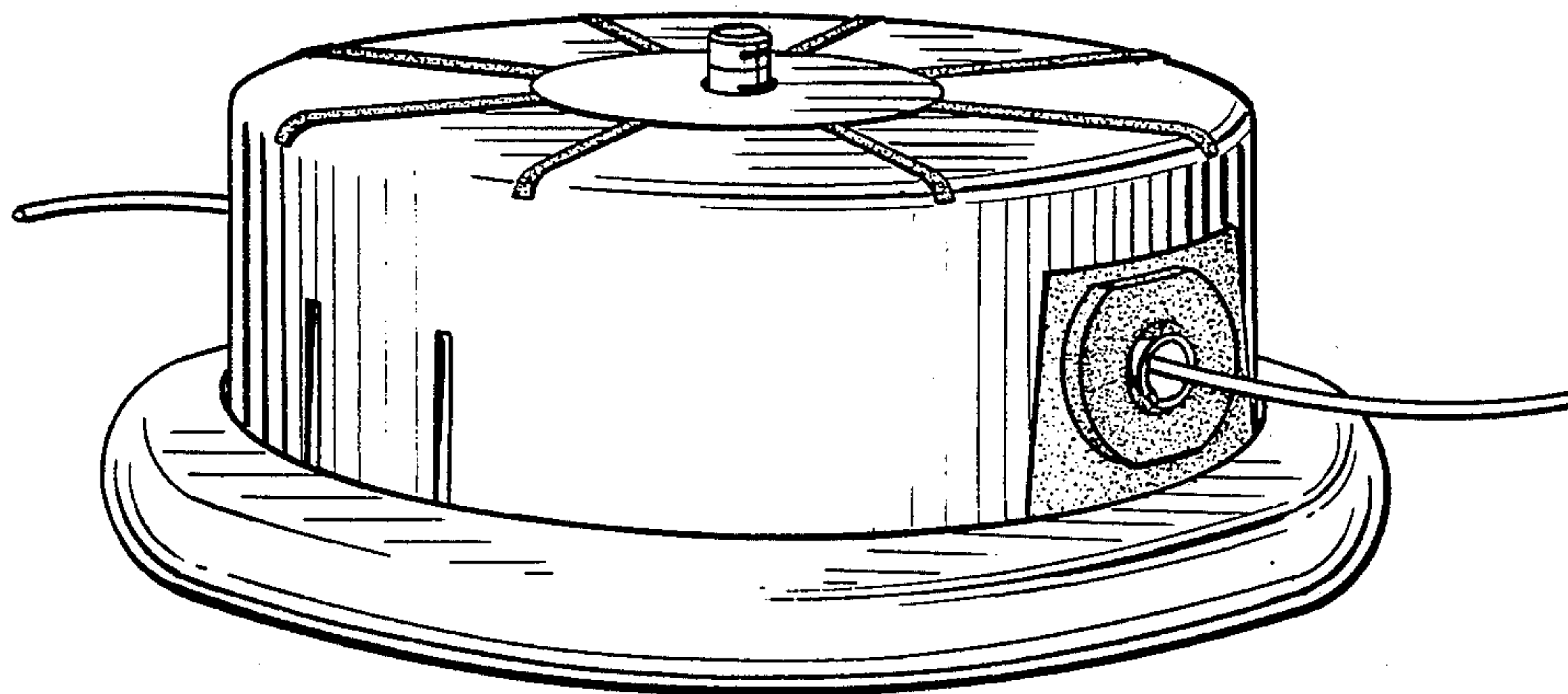


Fig. 1.

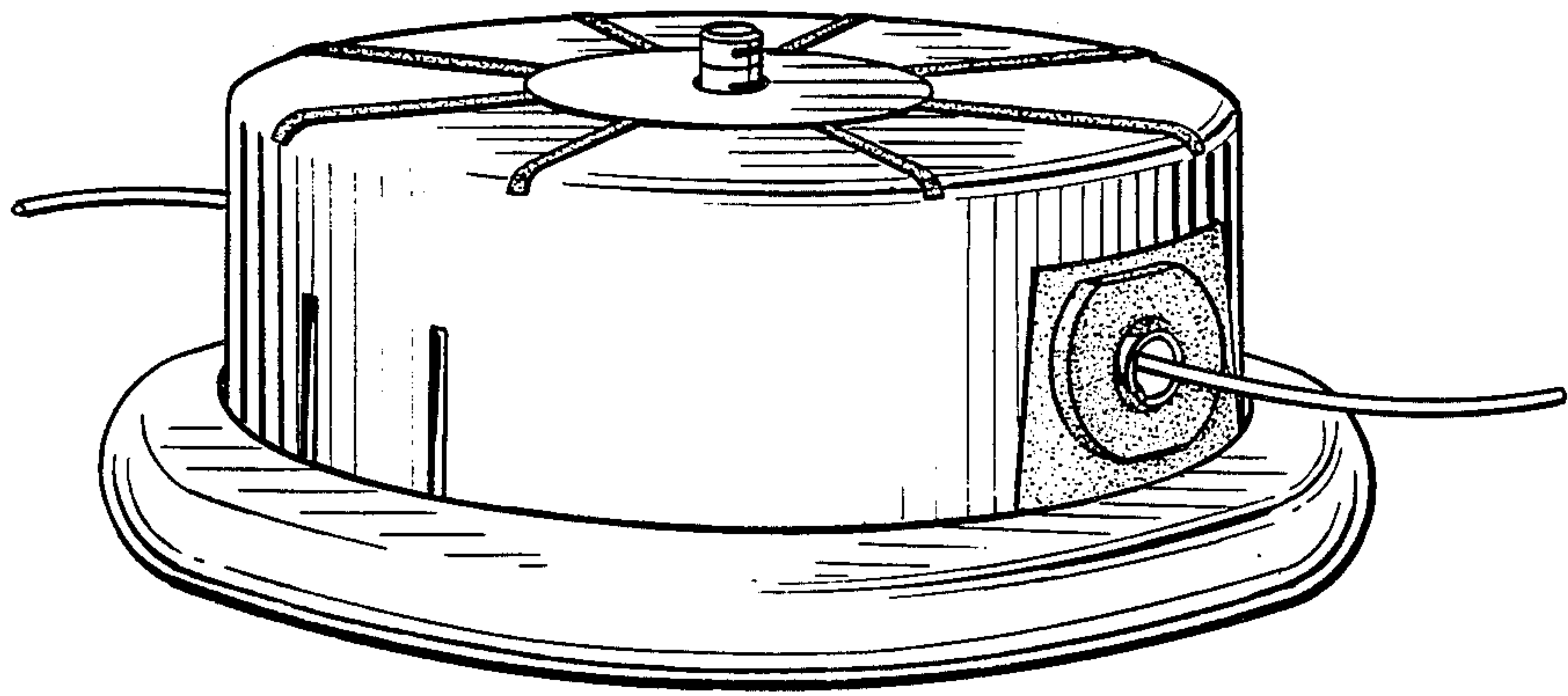
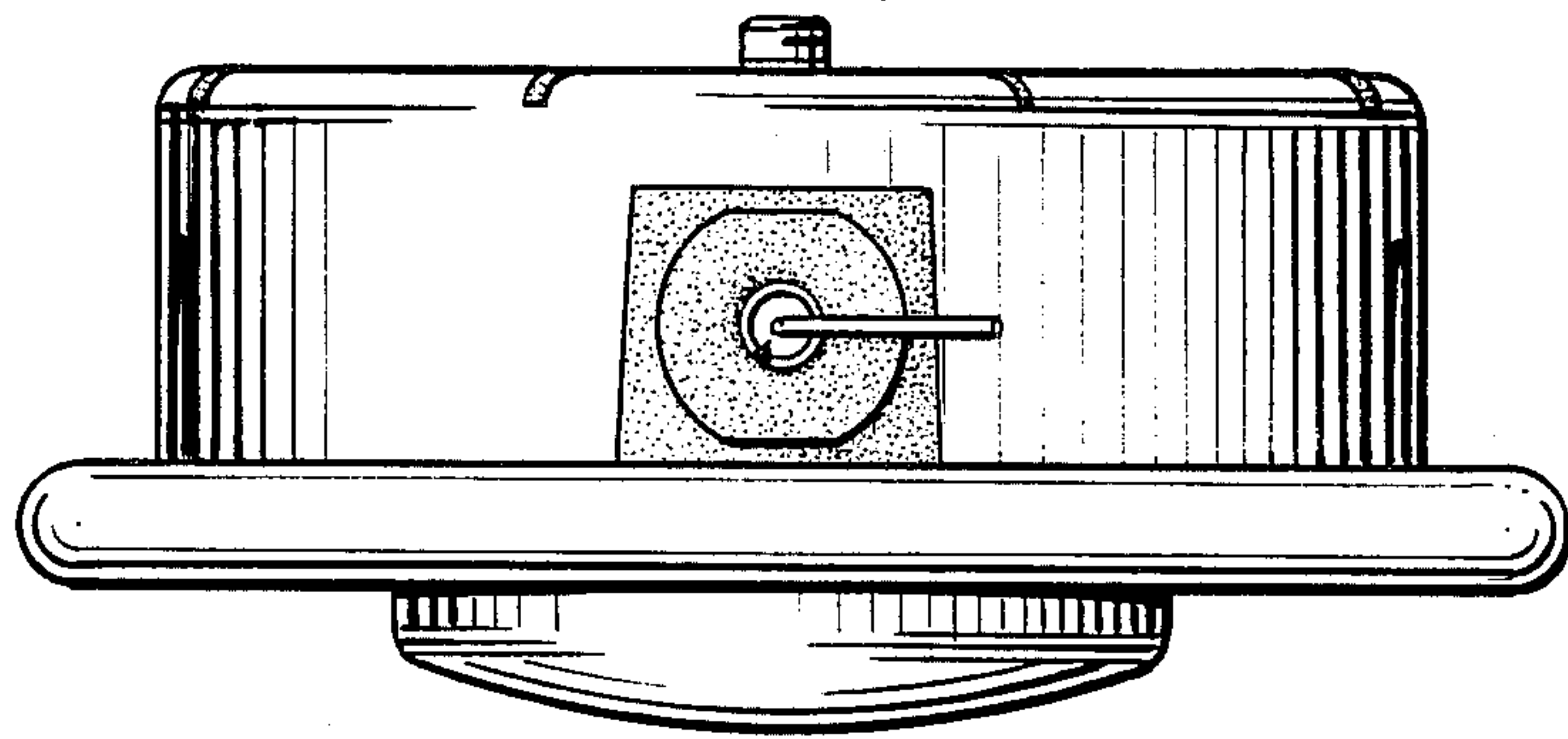


Fig. 4.



Figs. 5.

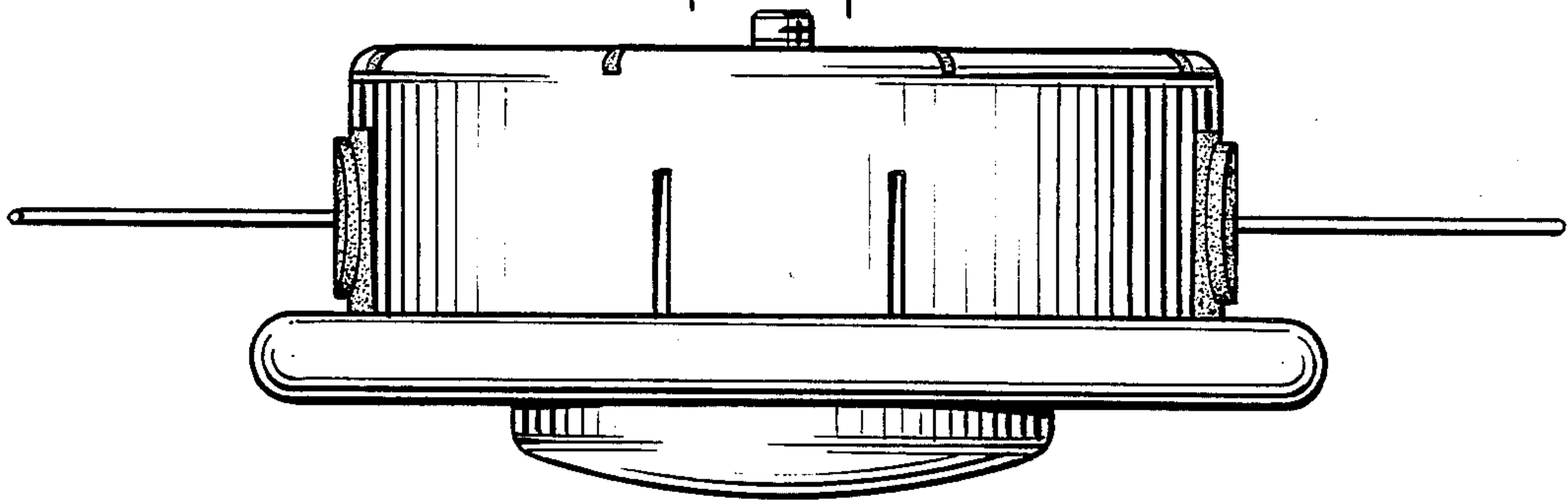


Fig. 2.

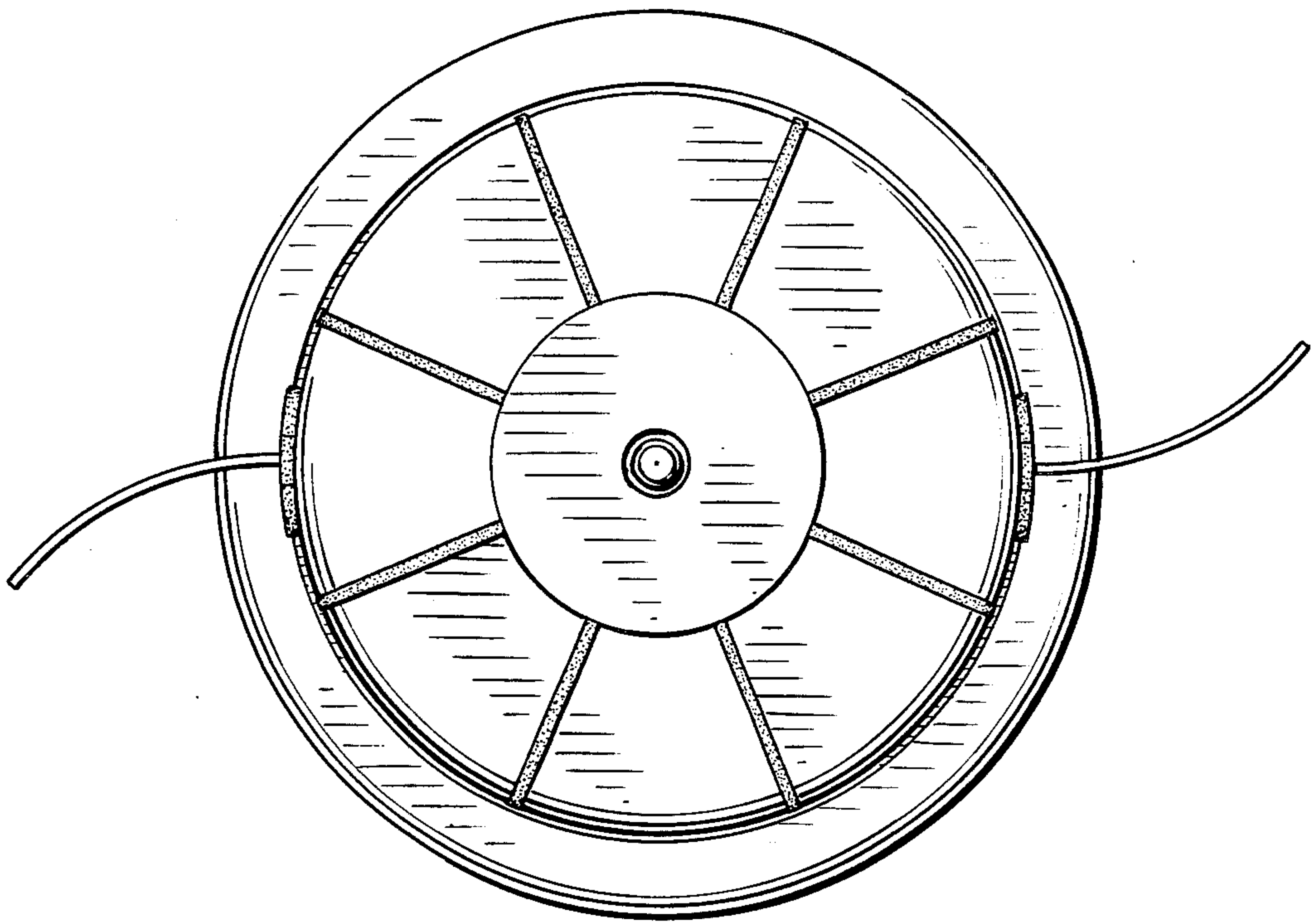


Fig. 3.

