

[54] PLANT PROTECTED COVER

[76] Inventors: Frank Mourich; Linda J. Mourich, both of 402 S. Platt Ave., Red Lodge, Mont. 59068

[**] Term: 14 Years

[21] Appl. No.: 878,566

[22] Filed: Jun. 25, 1986

[52] U.S. Cl. D8/1

[58] Field of Search D8/1; 47/20-21, 47/26, 28 R, 29-31

[56] References Cited

U.S. PATENT DOCUMENTS

D. 194,619	2/1963	Burns et al.	D8/1
D. 199,987	1/1965	Rosenvold et al.	D8/1
1,392,178	9/1921	Kuebler	47/29
2,143,257	1/1939	Bessac	47/29

3,226,881	1/1966	Garrett	D8/1 X
3,384,992	5/1968	Heffron	47/29

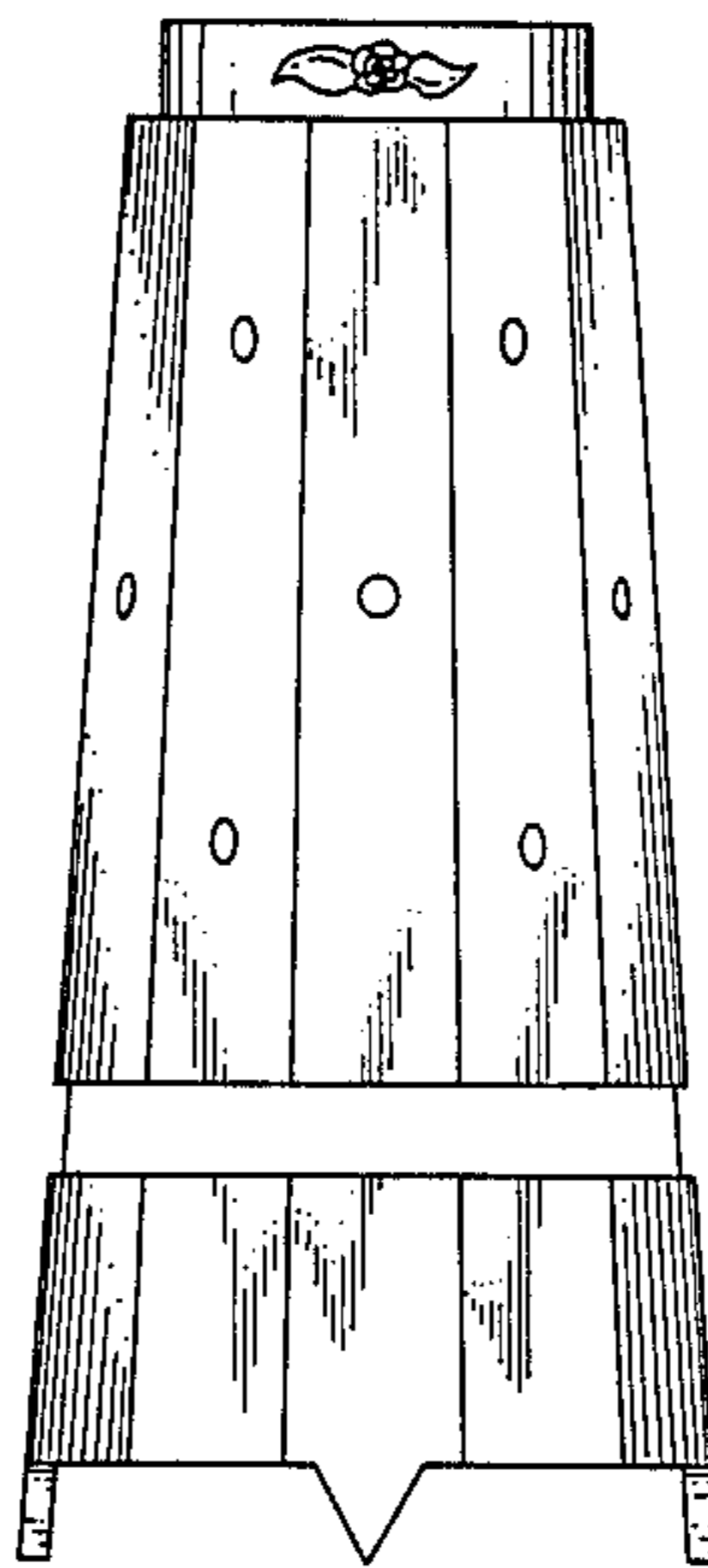
Primary Examiner—Wallace R. Burke
Assistant Examiner—Brian N. Vinson
Attorney, Agent, or Firm—Terry M. Gernstein

[57] CLAIM

The ornamental design for a plant protection cover, as shown and described.

DESCRIPTION

FIG. 1 is a front elevational view of a plant protection cover showing our new design, the rear elevation being identical in appearance;
FIG. 2 is a top plan view thereof;
FIG. 3 is a side elevational view thereof, the side opposite being identical in appearance; and
FIG. 4 is a vertical cross-sectional view thereof, taken along line 4—4 of FIG. 3.



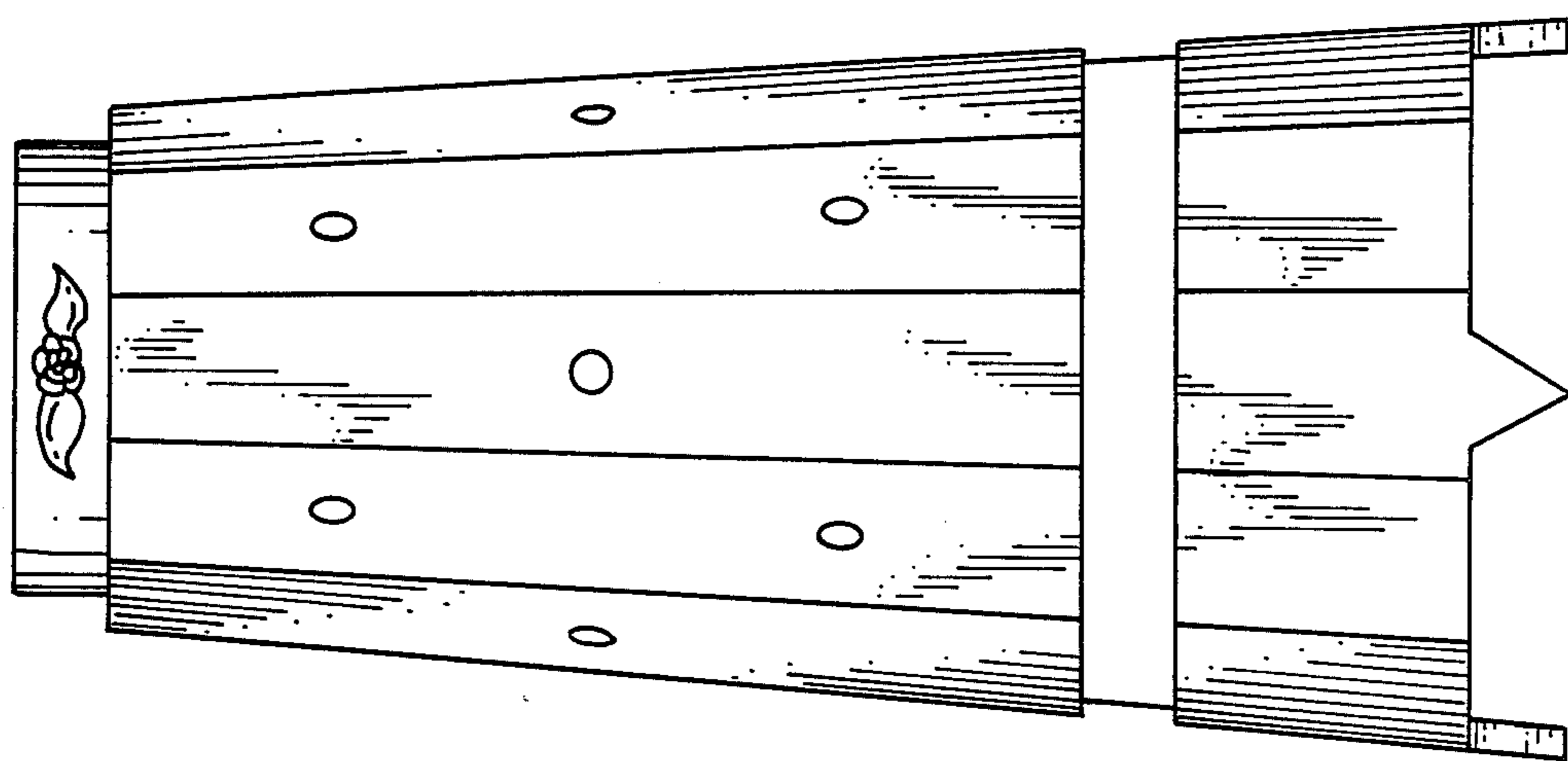


FIG. 1

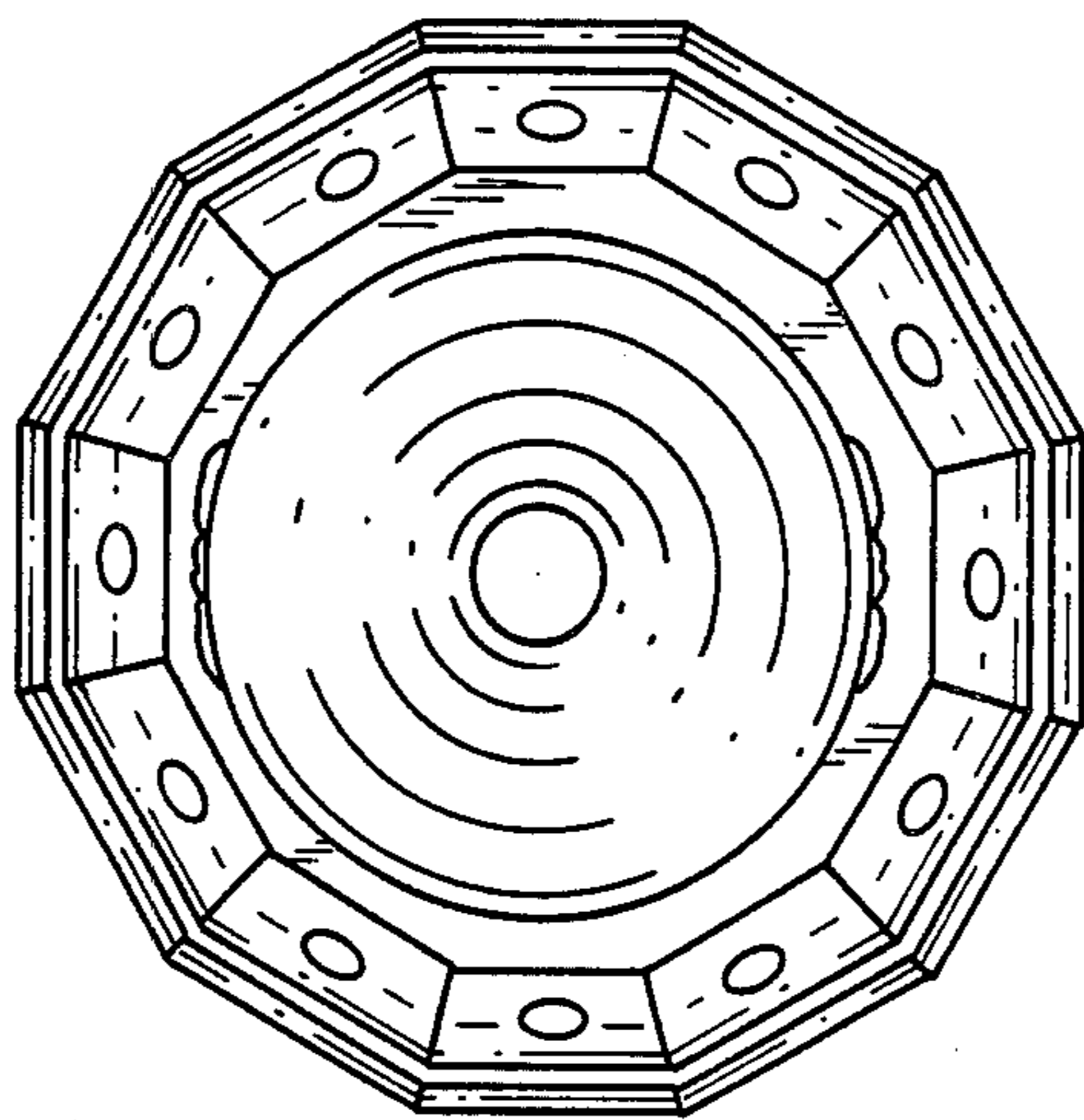


FIG. 2

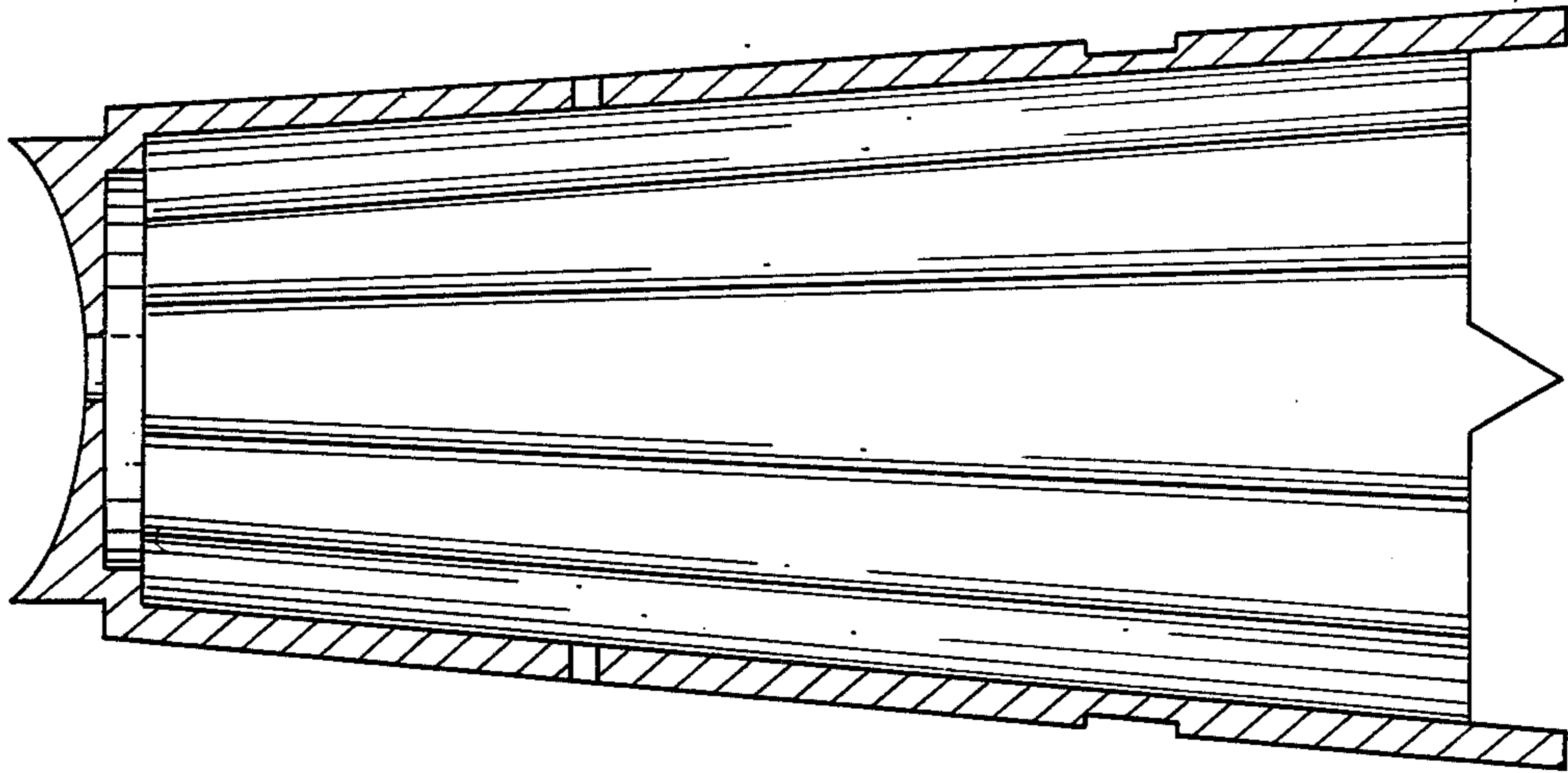


FIG. 4

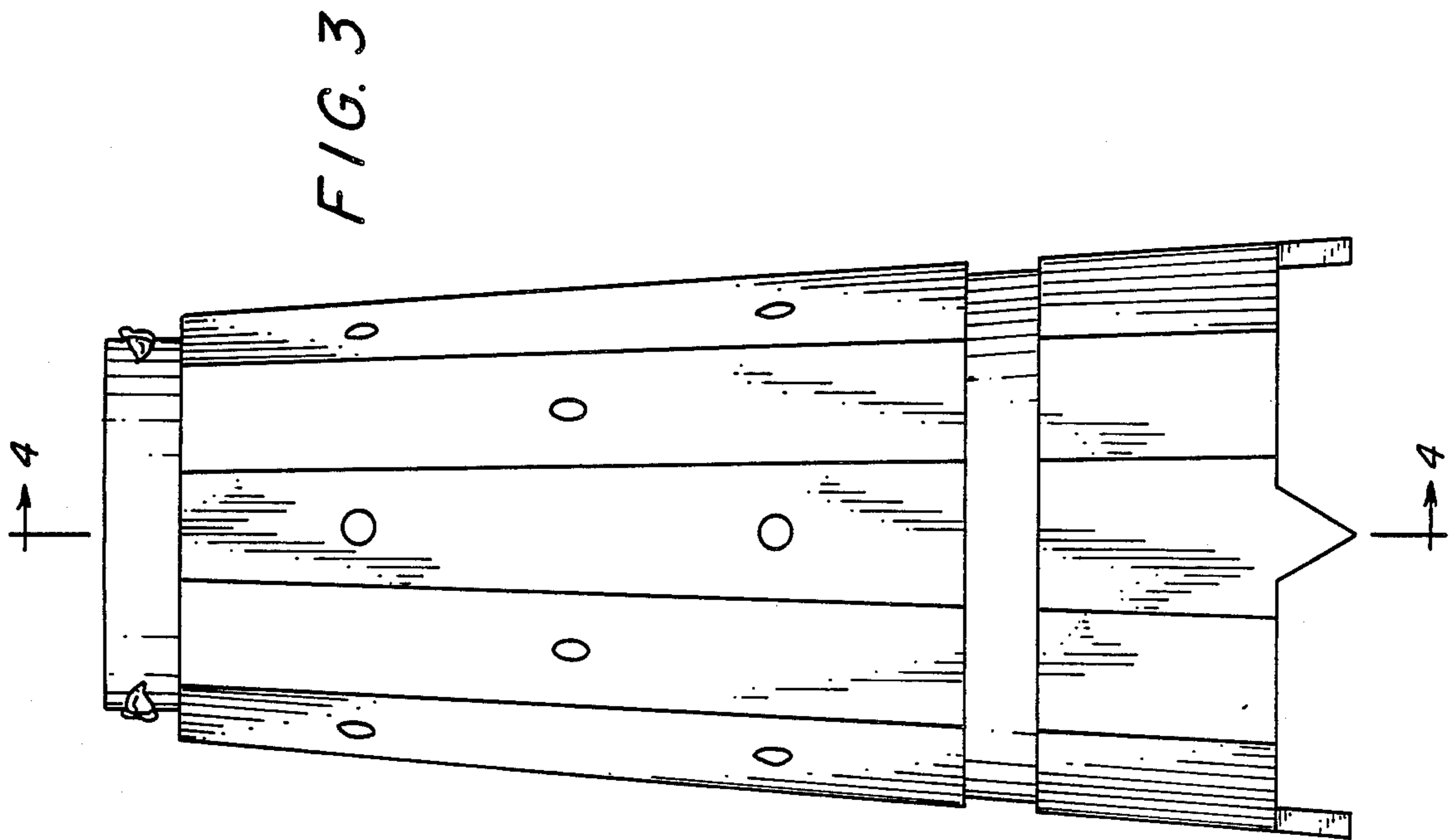


FIG. 3