

[54] COMBINED BATHWARE SUPPORT BRACKET AND ESCUTCHEON THEREFOR

[75] Inventor: Norton Sharpe, Los Angeles, Calif.

[73] Assignee: Franklin Brass Manufacturing Co., Los Angeles, Calif.

[\*\*] Term: 14 Years

[21] Appl. No.: 905,566

[22] Filed: Sep. 10, 1986

[52] U.S. Cl. .... D6/524; D6/550

[58] Field of Search ..... D6/546, 549-550; 211/16, 87-88, 105.1, 123; 108/28-30, 152; 248/251, 309.1, 314-315

[56] References Cited

U.S. PATENT DOCUMENTS

- D. 150,751 8/1948 Bozoti ..... D6/550
- D. 182,150 2/1958 Unetic ..... D6/550
- D. 191,781 11/1961 Latham ..... D6/550

- D. 218,332 8/1970 Uitz ..... D6/548
- D. 256,865 9/1980 Crowe ..... D6/550
- D. 272,591 2/1984 Shames et al. .... D6/550
- 2,893,676 7/1959 Connors et al. .... D6/540 X

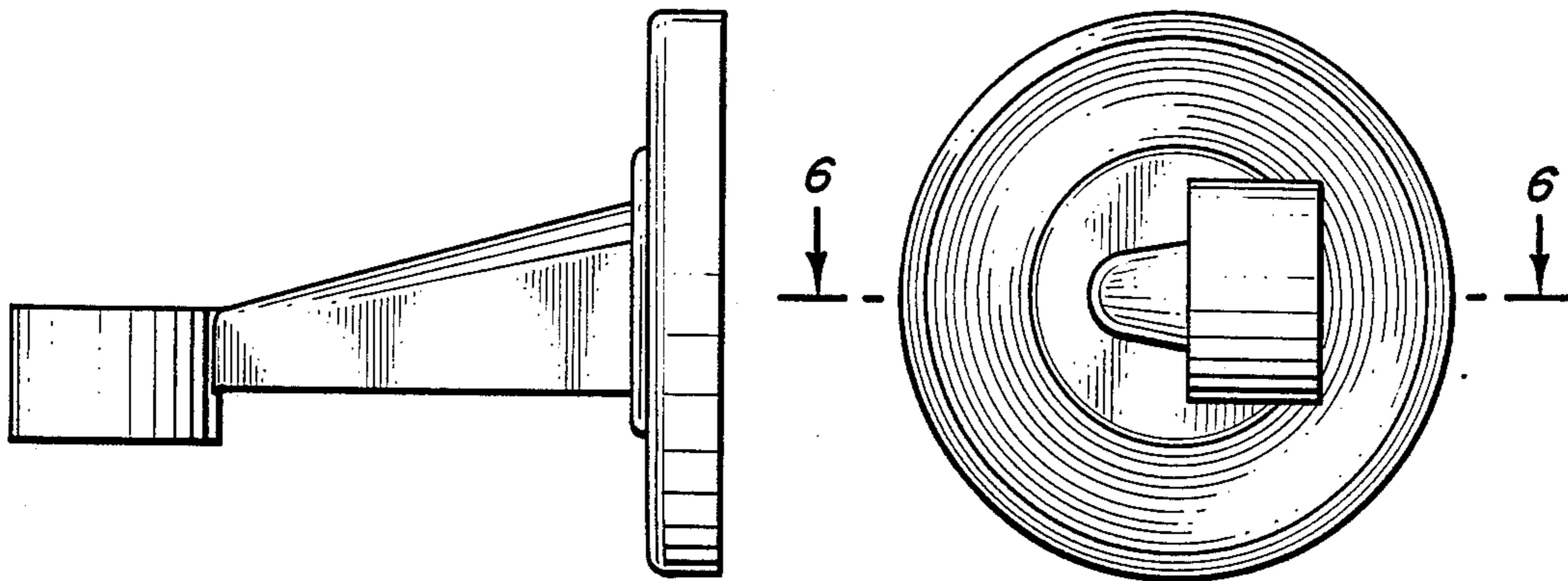
Primary Examiner—B. J. Bullock  
Assistant Examiner—Brian N. Vinson  
Attorney, Agent, or Firm—Thomas P. Mahoney

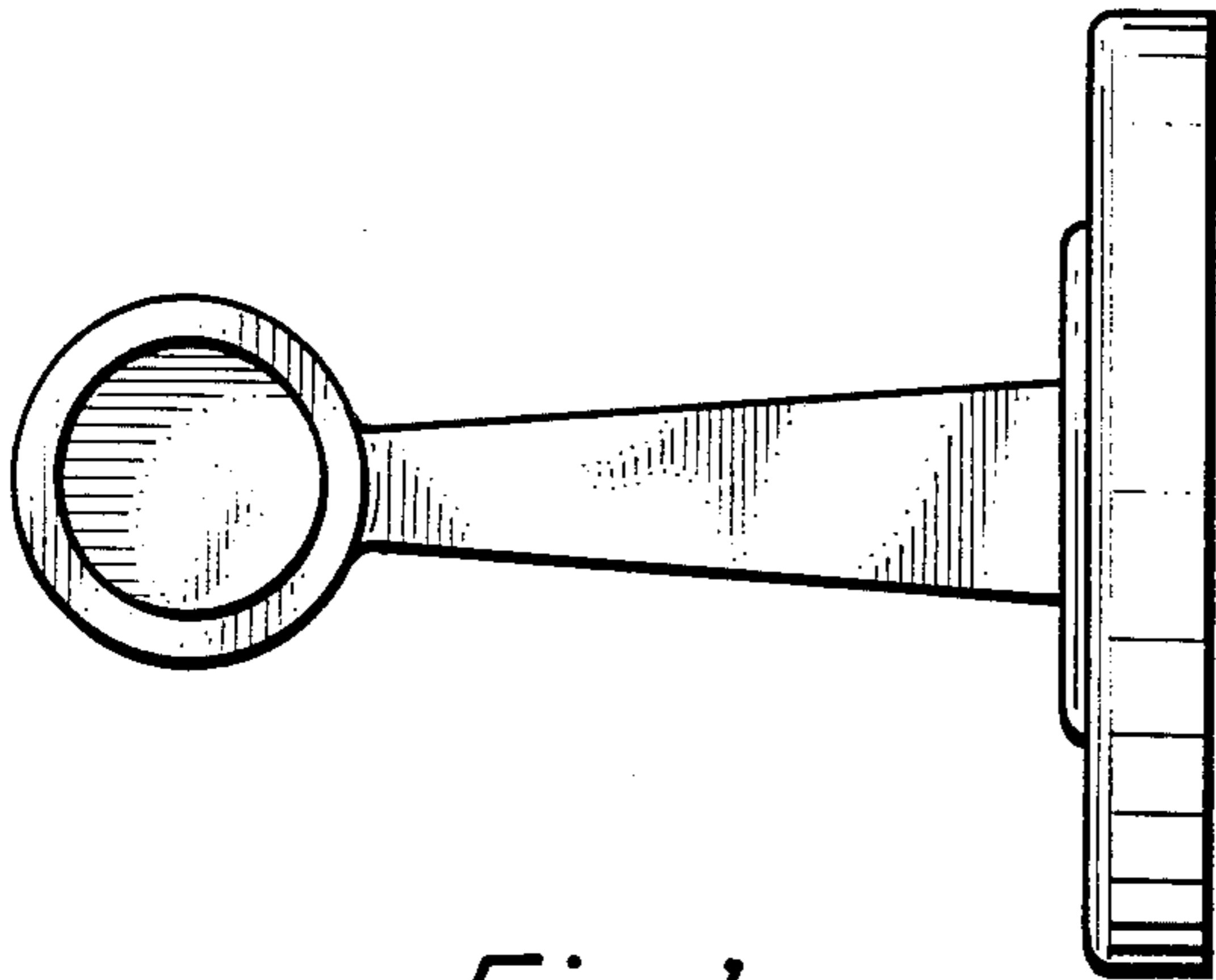
[57] CLAIM

The ornamental design for a combined bathware support bracket and escutcheon therefor, as shown.

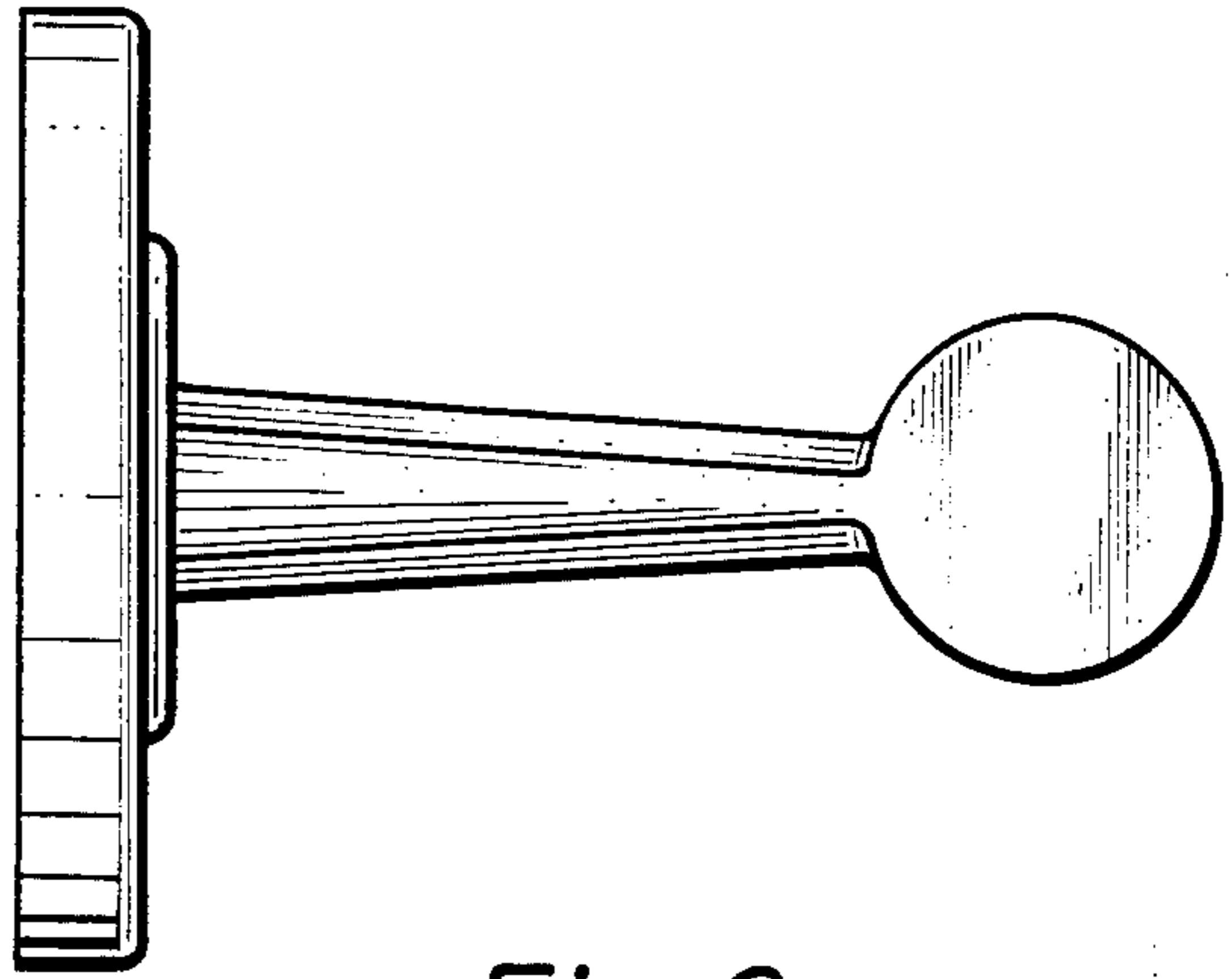
DESCRIPTION

FIG. 1 is a right side elevational view of a combined bathware support bracket and escutcheon therefor showing my new design;  
FIG. 2 is a left side elevational view thereof;  
FIG. 3 is a top plan view thereof;  
FIG. 4 is a front elevational view thereof;  
FIG. 5 is a rear elevational view thereof; and,  
FIG. 6 is a horizontal cross-sectional view thereof, taken along line 6—6 of FIG. 5.

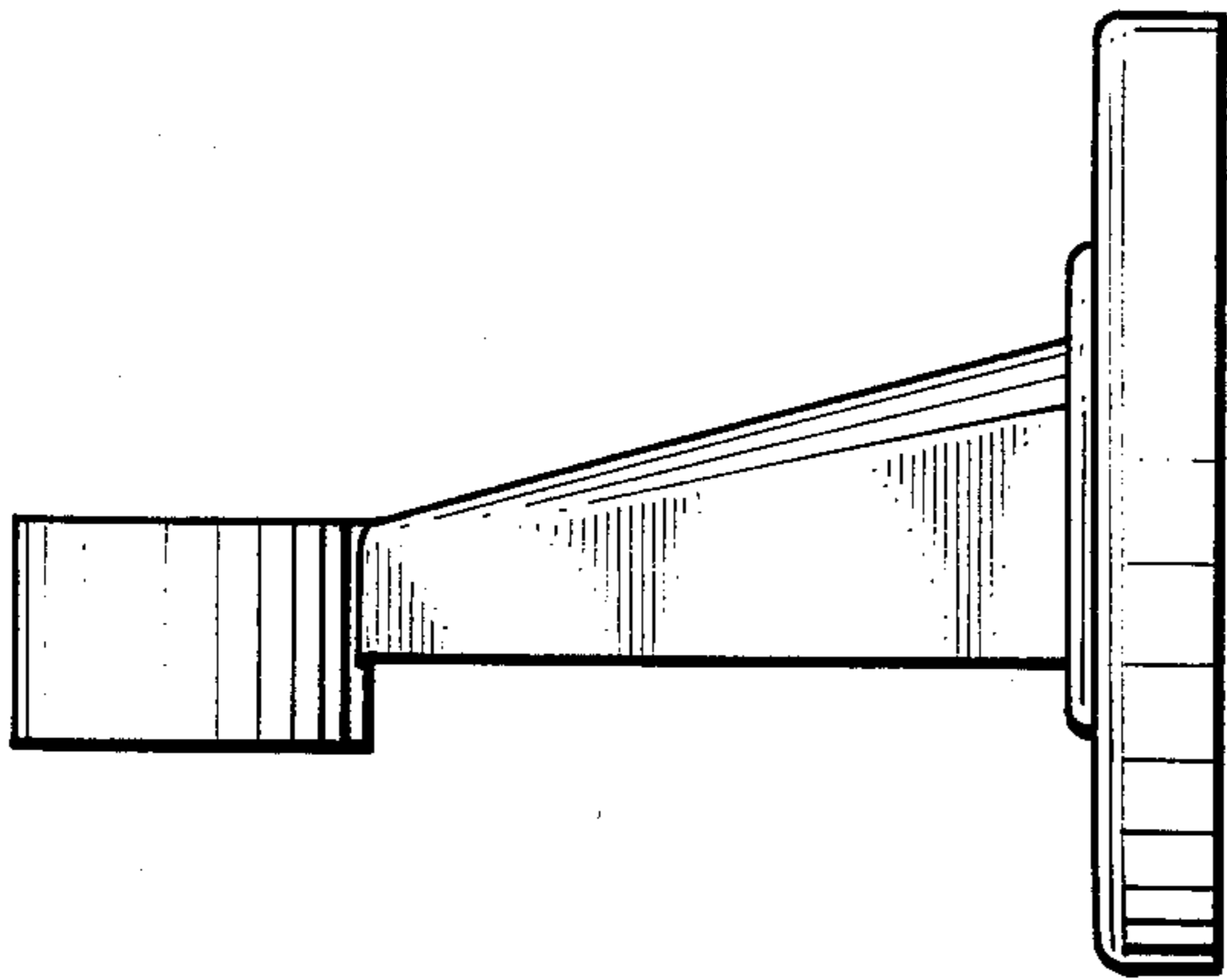




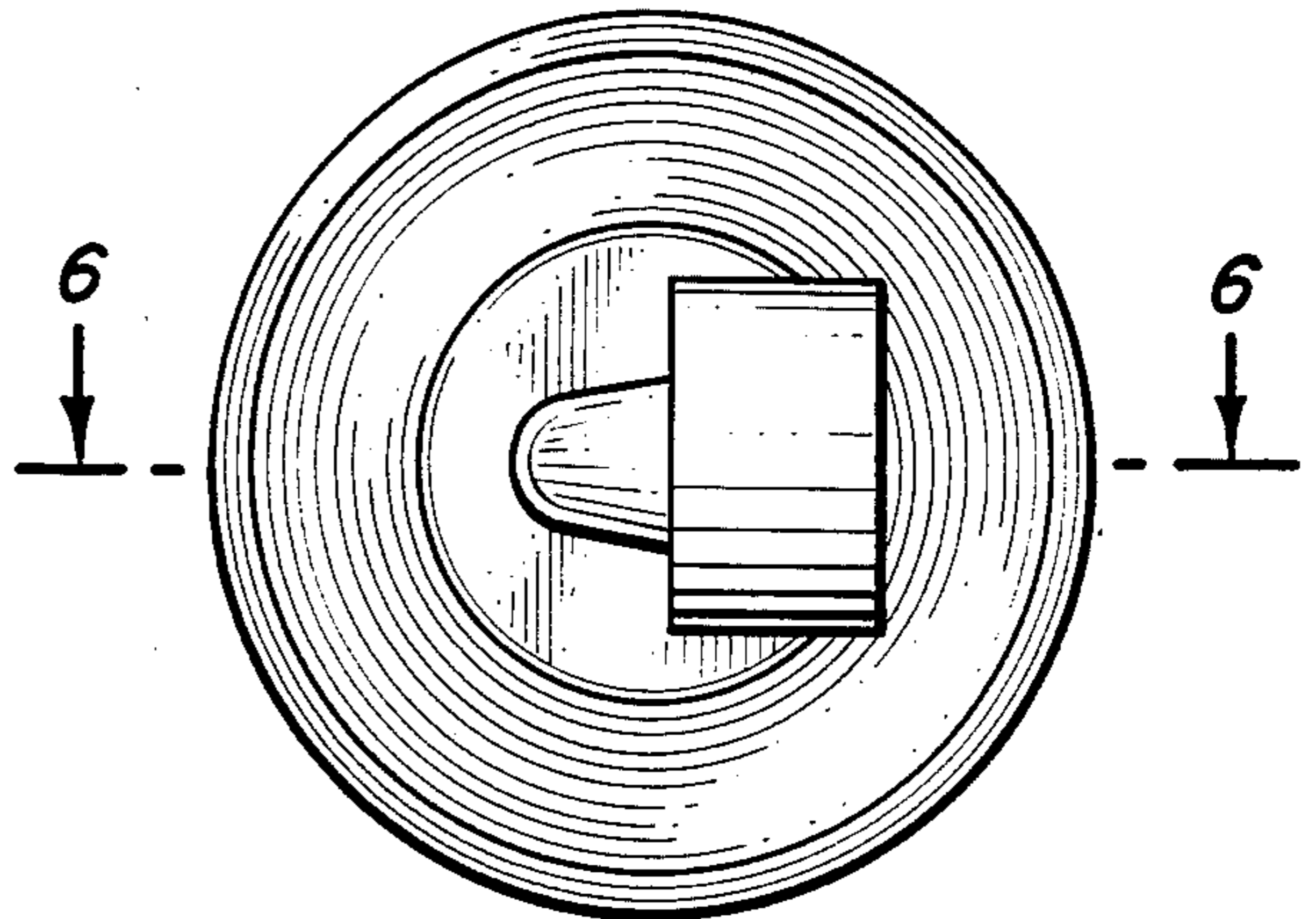
*Fig. 1.*



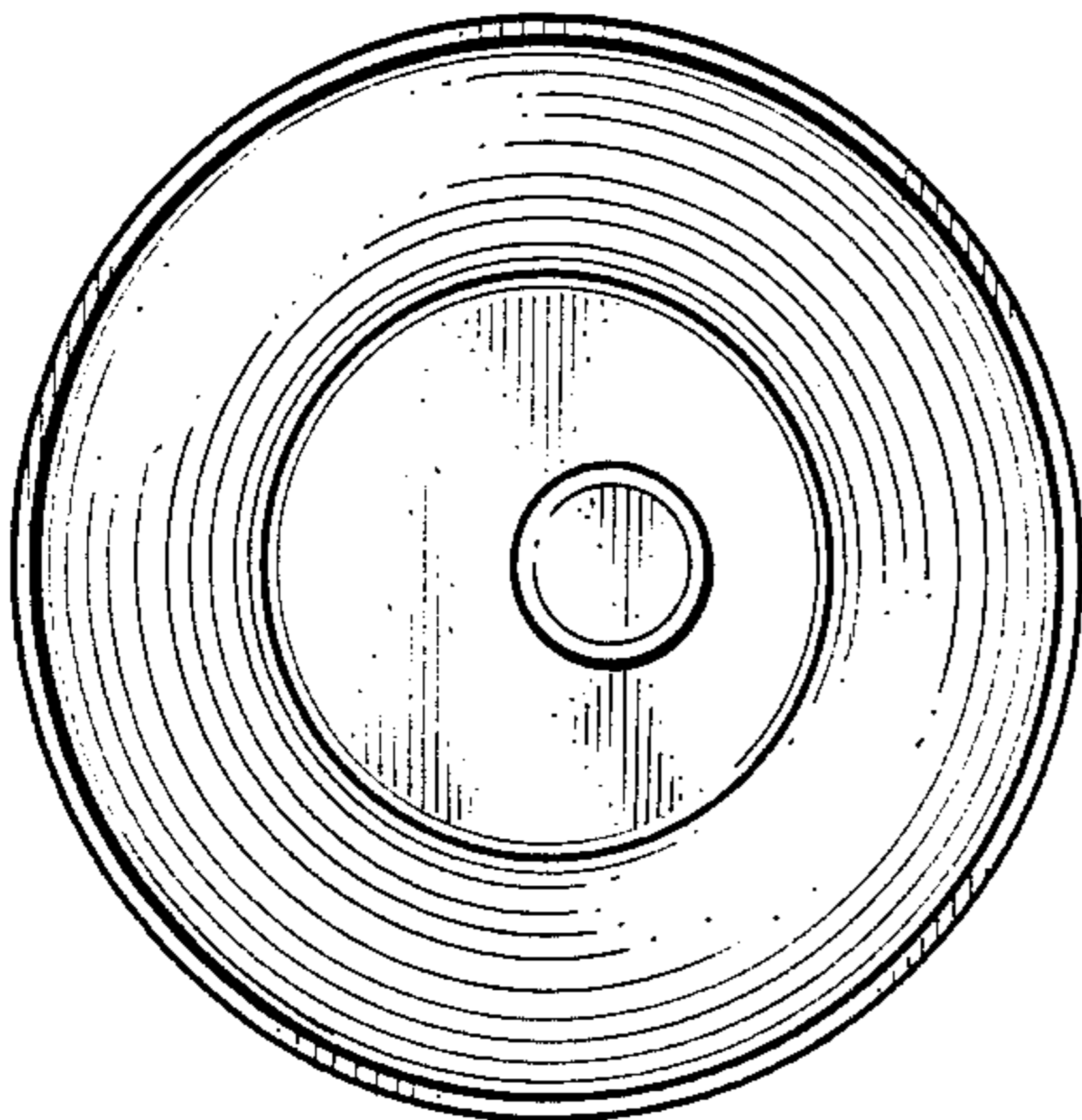
*Fig. 2.*



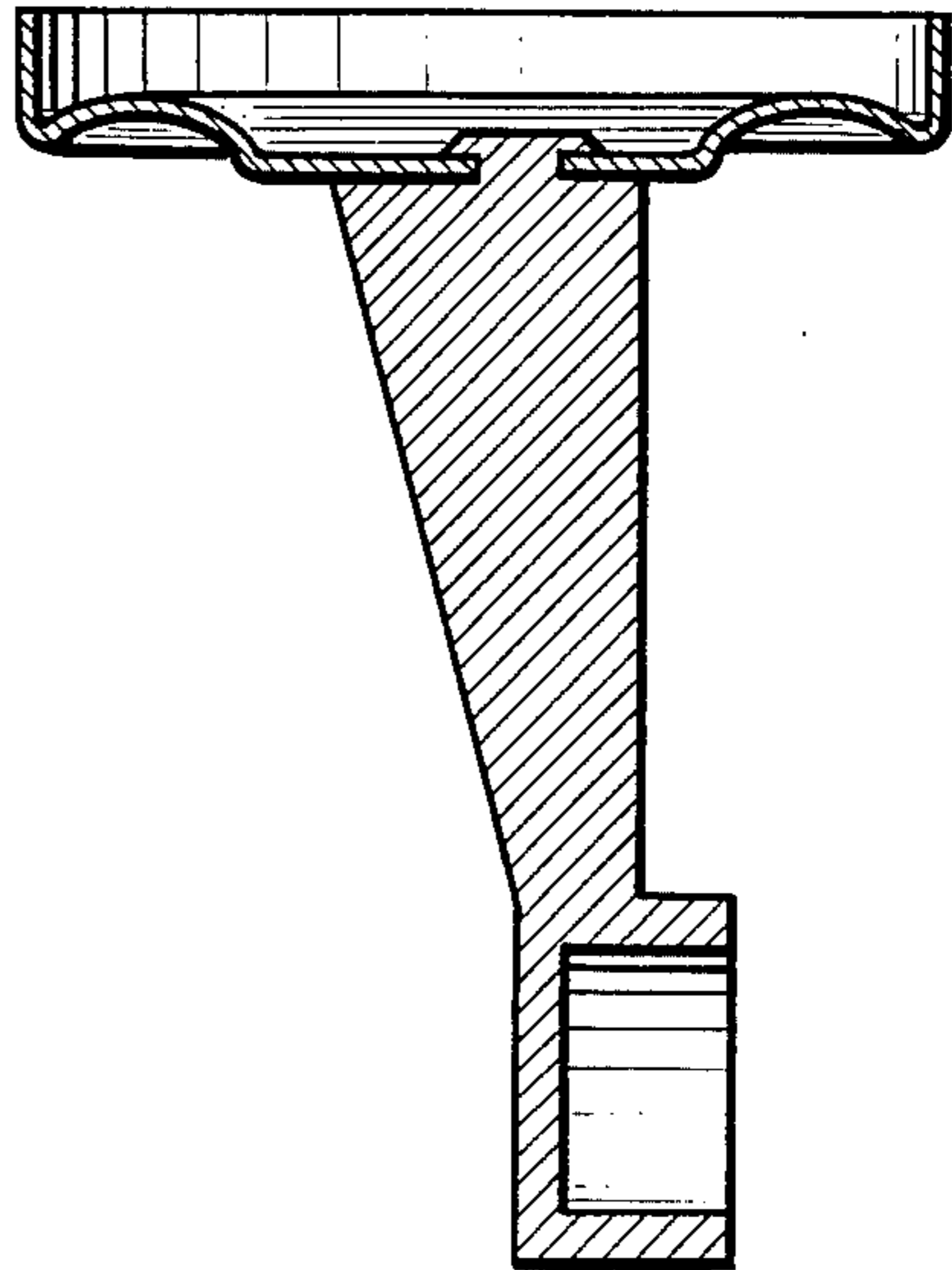
*Fig. 3.*



*Fig. 4.*



*Fig. 5.*



*Fig. 6.*