

[54] **TABLE**

[76] **Inventor: Moses R. Schultz, R.D. Box 52,
Barto, Pa. 19504**

[**] **Term: 14 Years**

[21] **Appl. No.: 836,174**

[22] **Filed: Feb. 26, 1986**

Related U.S. Application Data

[62] **Division of Ser. No. 510,872, Jul. 5, 1983.**

[52] **U.S. Cl. D6/484**

[58] **Field of Search D6/480, 484, 486, 487,
D6/488**

[56] **References Cited**

U.S. PATENT DOCUMENTS

D. 252,431 7/1979 Pfister D6/484

D. 280,162 8/1985 Bromley D6/484
4,039,133 8/1977 Streicher D6/487 X

OTHER PUBLICATIONS

Modern Display by Hugh Lyons, catalog, p. 70, Display table.

Interiors, Jan. 1981, p. 45, table in foreground by ICF.

Primary Examiner—Bruce W. Dunkins

Attorney, Agent, or Firm—Thomas A. O'Rourke

[57] **CLAIM**

The ornamental design for a table, as shown and described.

DESCRIPTION

FIG. 1 is a perspective view of a table showing my design;

FIG. 2 is a top plan view; and,

FIG. 3 is an elevational view showing one of the four identical sides.

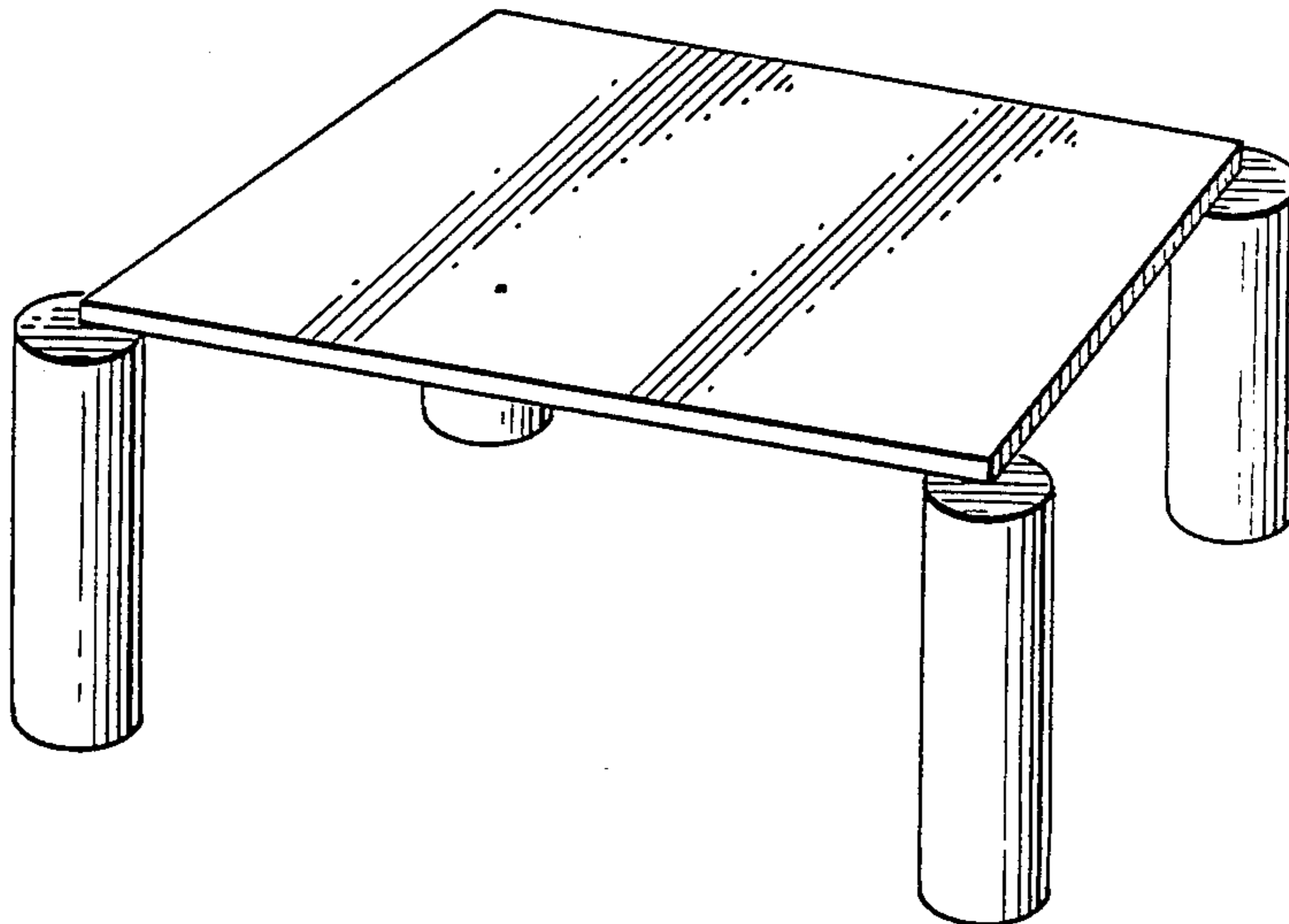


FIG. 1.

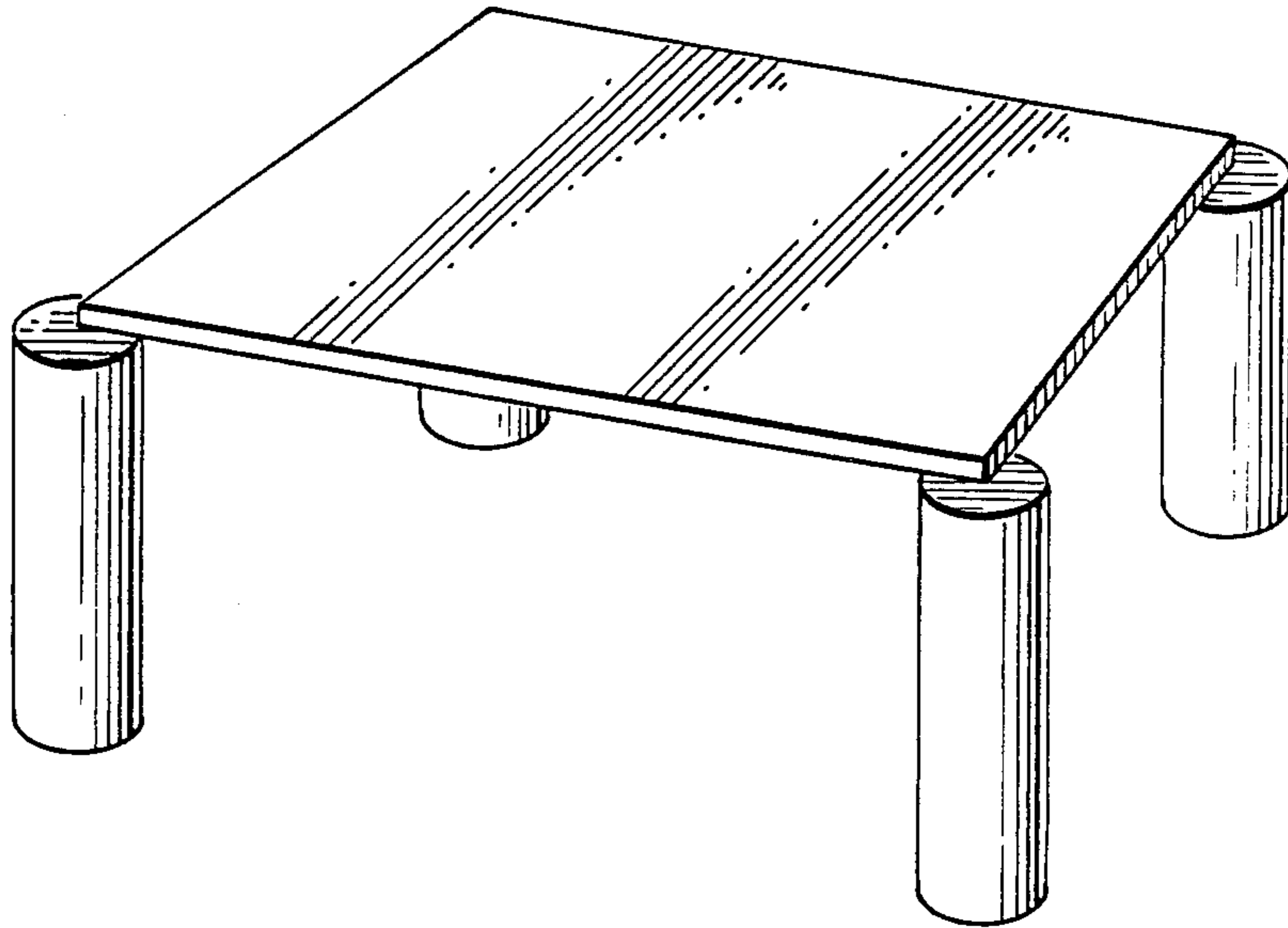


FIG. 2.

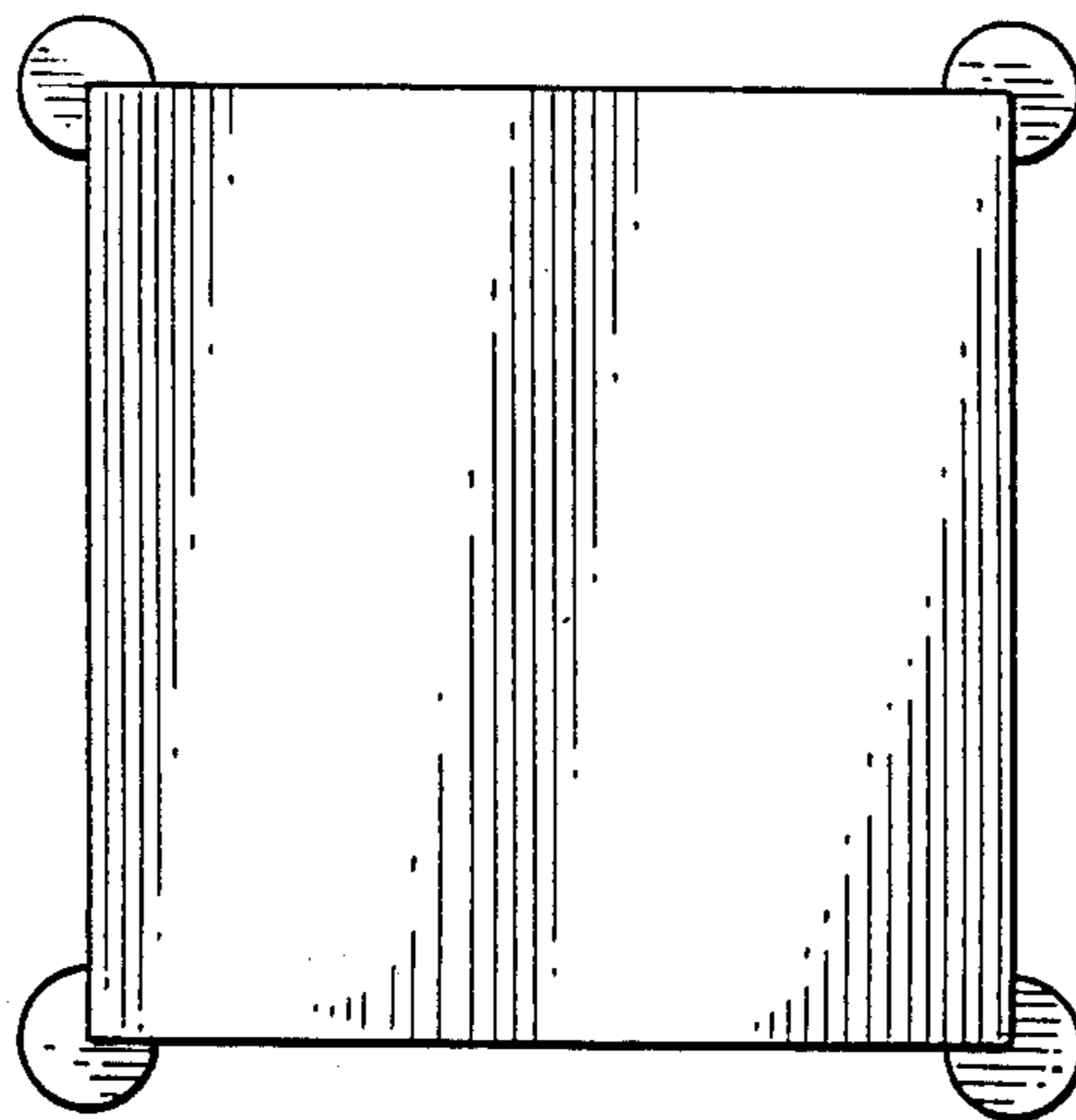


FIG. 3.

