

[54] VIDEOENDOSCOPIC SUPPORT STAND

[76] Inventor: C. Bruce Schwartz, 6594 Mill Creek Rd., The Dalles, Oreg. 97058

[**] Term: 14 Years

[21] Appl. No.: 872,428

[22] Filed: Jun. 9, 1986

[52] U.S. Cl. D6/479; D6/419; D24/1.1

[58] Field of Search D24/1.1, 3, 31; 312/209, 249, 250, 251; 433/108, 109; D6/479, 419, 466

[56] References Cited

U.S. PATENT DOCUMENTS

| | | | | |
|------------|---------|-----------------|-------|-----------|
| D. 246,186 | 10/1977 | Rorabaugh | | D24/1.1 |
| D. 274,964 | 8/1984 | Gioia | | D24/31 X |
| 3,348,799 | 10/1967 | Junkel et al. | . | |
| 3,597,033 | 8/1971 | Slouka | . | |
| 3,636,633 | 1/1972 | Fuller et al. | | 433/108 X |
| 4,138,815 | 2/1979 | Williams et al. | . | |
| 4,518,208 | 5/1985 | Marder | | 312/209 |
| 4,572,594 | 2/1986 | Schwartz | . | |

4,600,175 7/1986 Bell et al. D24/1.1 X
4,607,897 8/1986 Schwartz .

FOREIGN PATENT DOCUMENTS

422256 9/1965 Switzerland .

Primary Examiner—Wallace R. Burke
Assistant Examiner—Stella M. Reid
Attorney, Agent, or Firm—Marger & Johnson

[57] CLAIM

The ornamental design for a videoendoscopic support stand, as shown and described.

DESCRIPTION

FIG. 1 is a front right perspective view of a videoendoscopic support stand, showing my new design with the cabinet front doors open;
FIG. 2 is a top plan view thereof;
FIG. 3 is a front elevational view thereof;
FIG. 4 is a bottom plan view thereof;
FIG. 5 is a left side elevational view thereof;
FIG. 6 is a right side elevational view thereof;
FIG. 7 is a rear elevational view thereof; and
FIG. 8 is a perspective view similar to FIG. 1 showing the cabinet front doors closed.

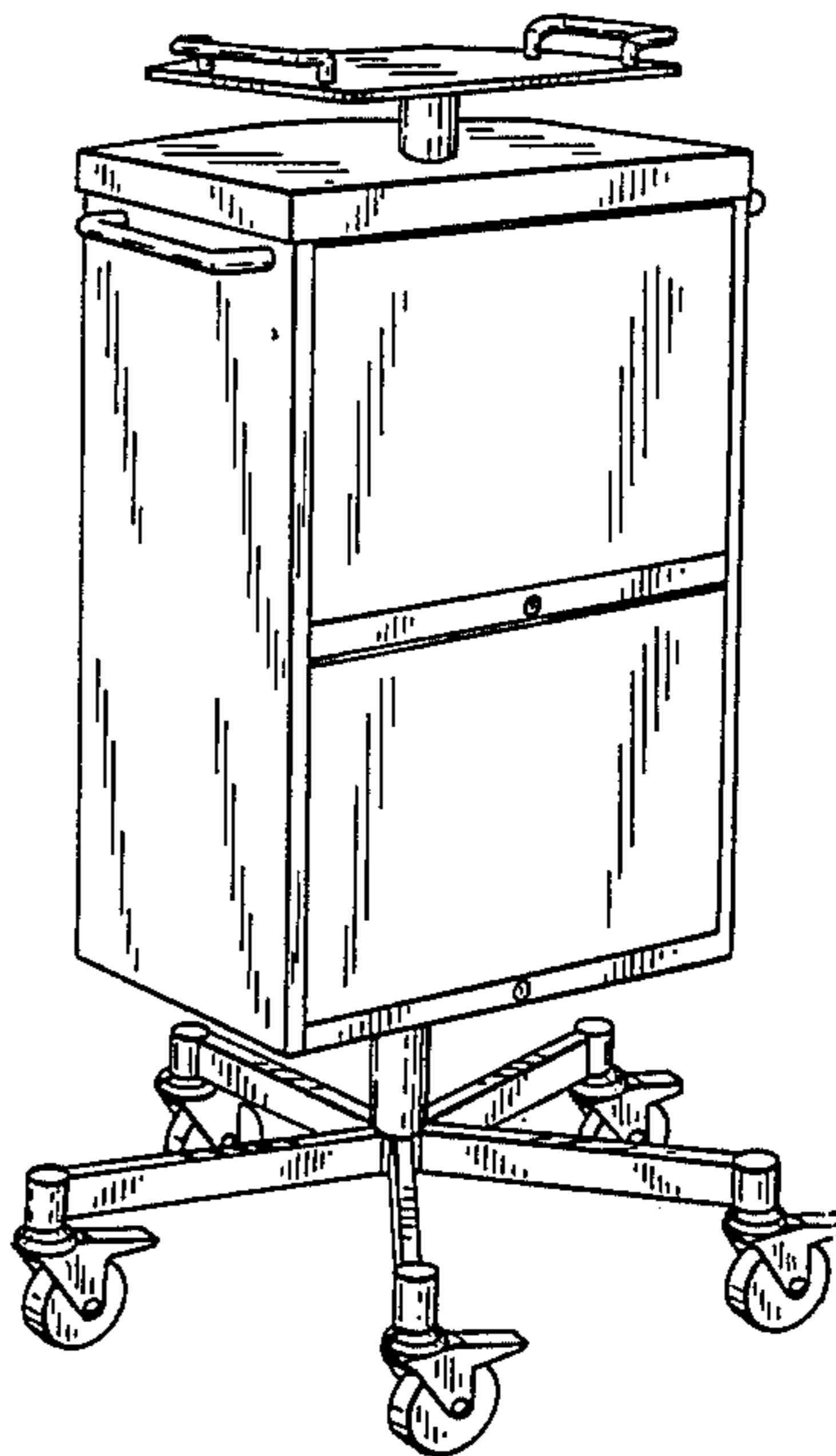
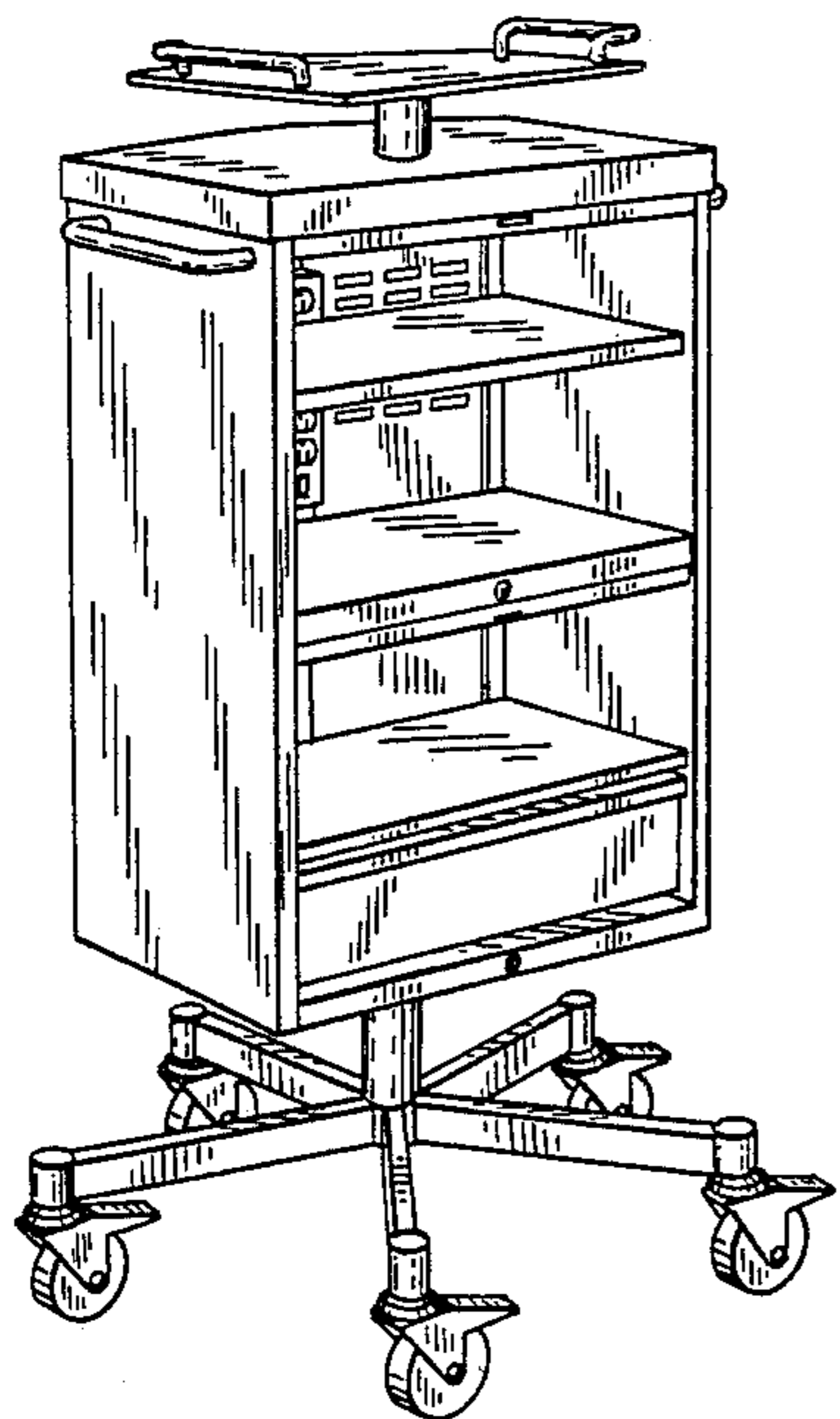


FIG. 1

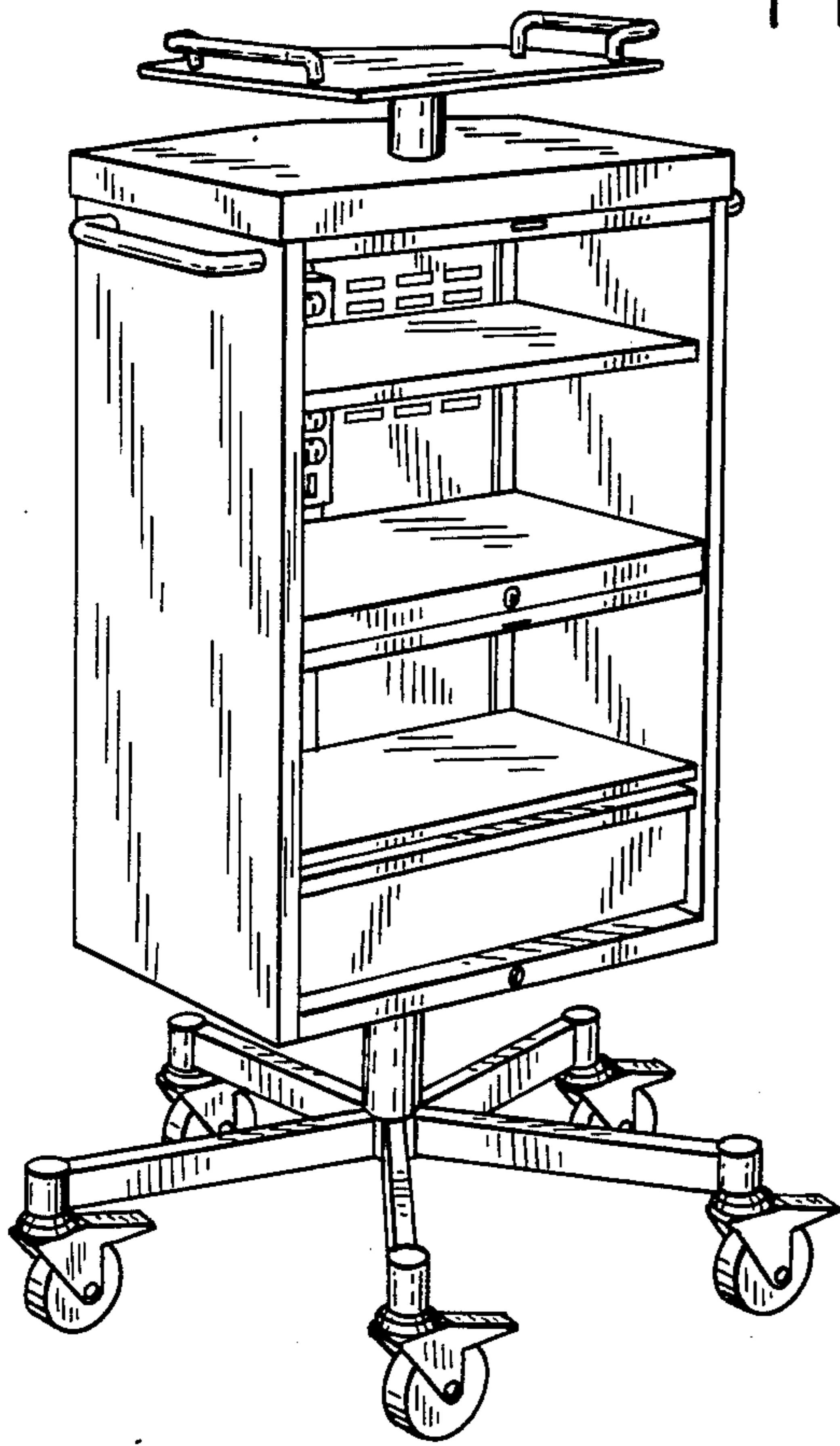


FIG. 2

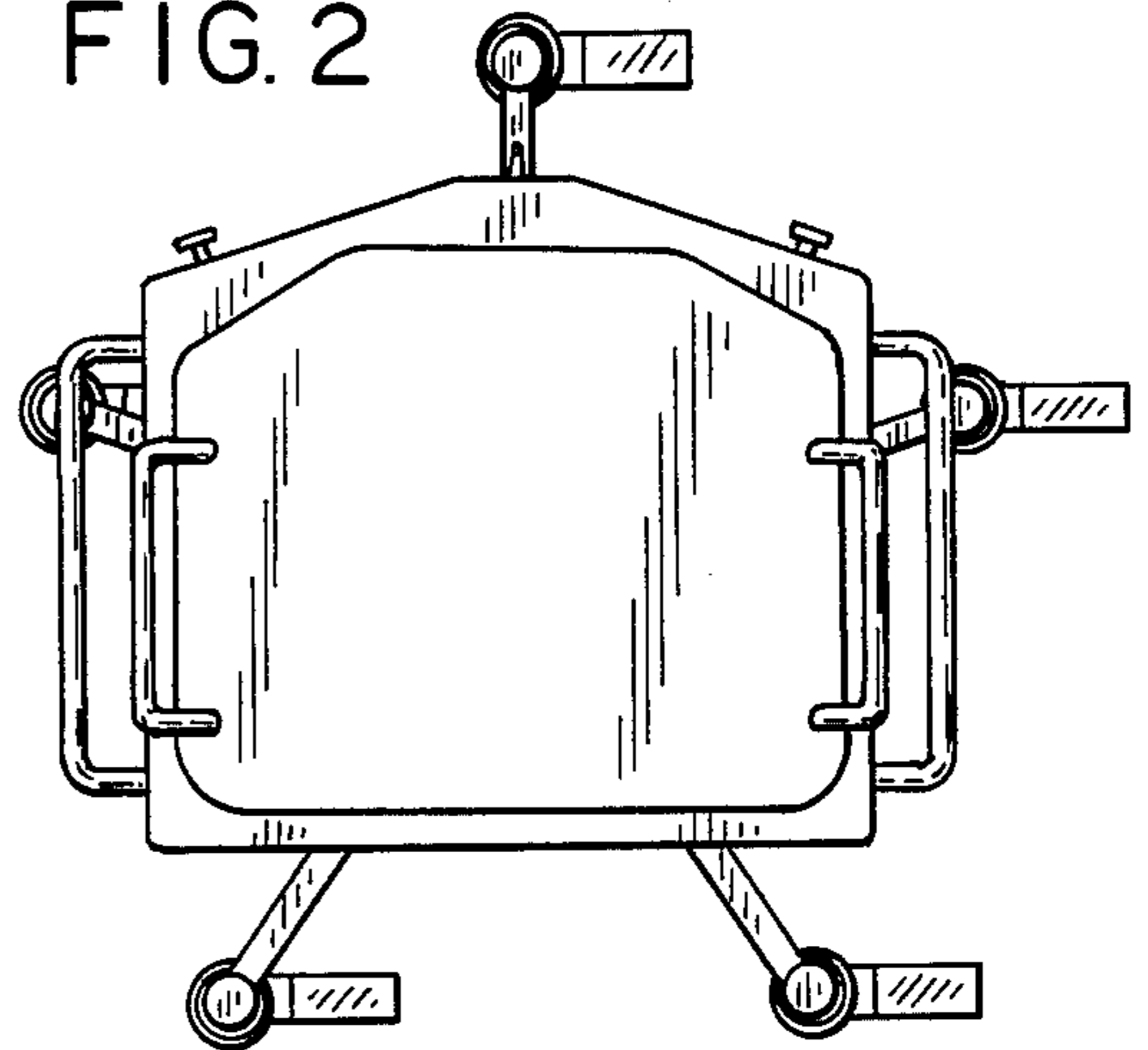


FIG. 3

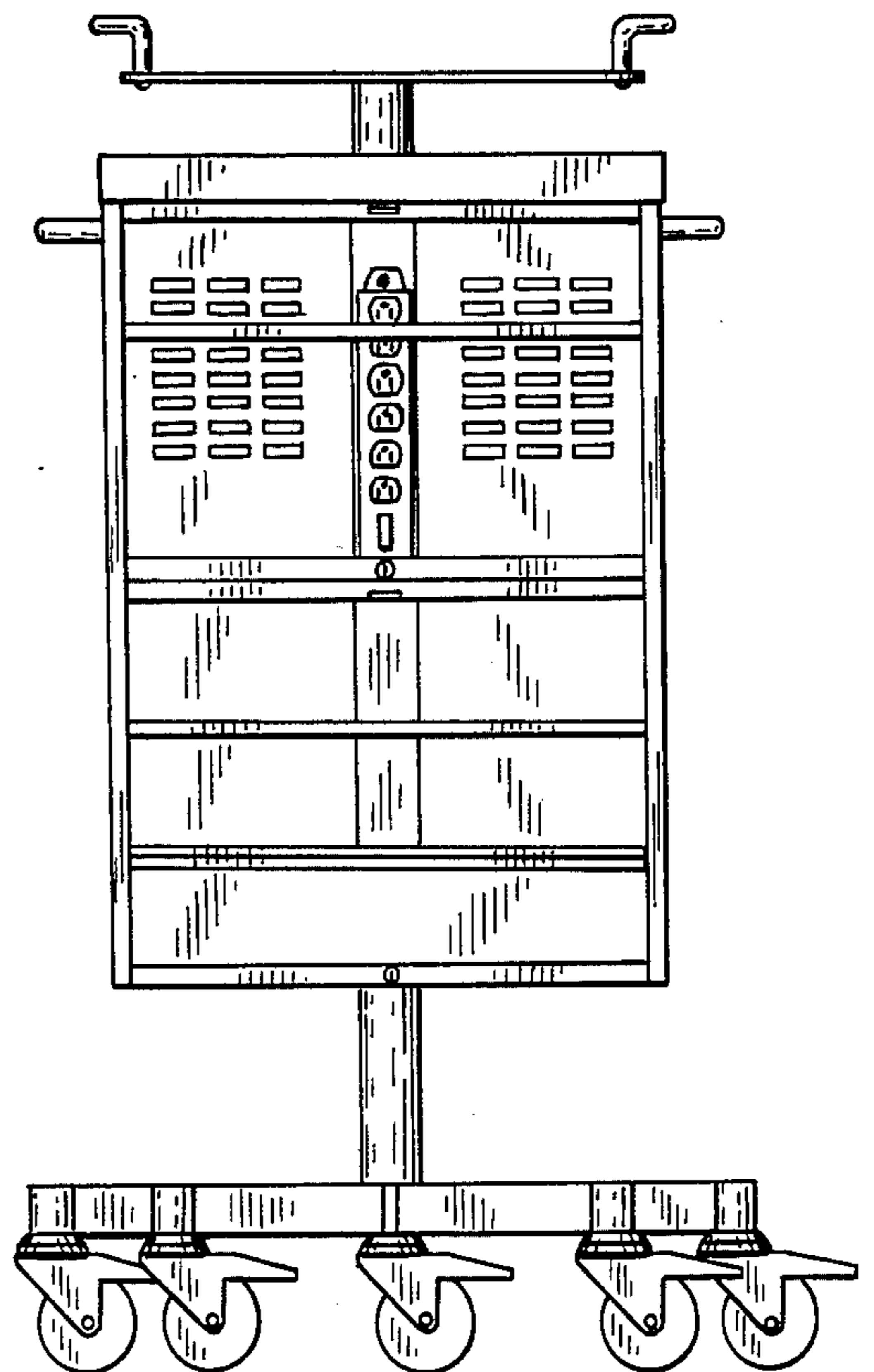


FIG. 4

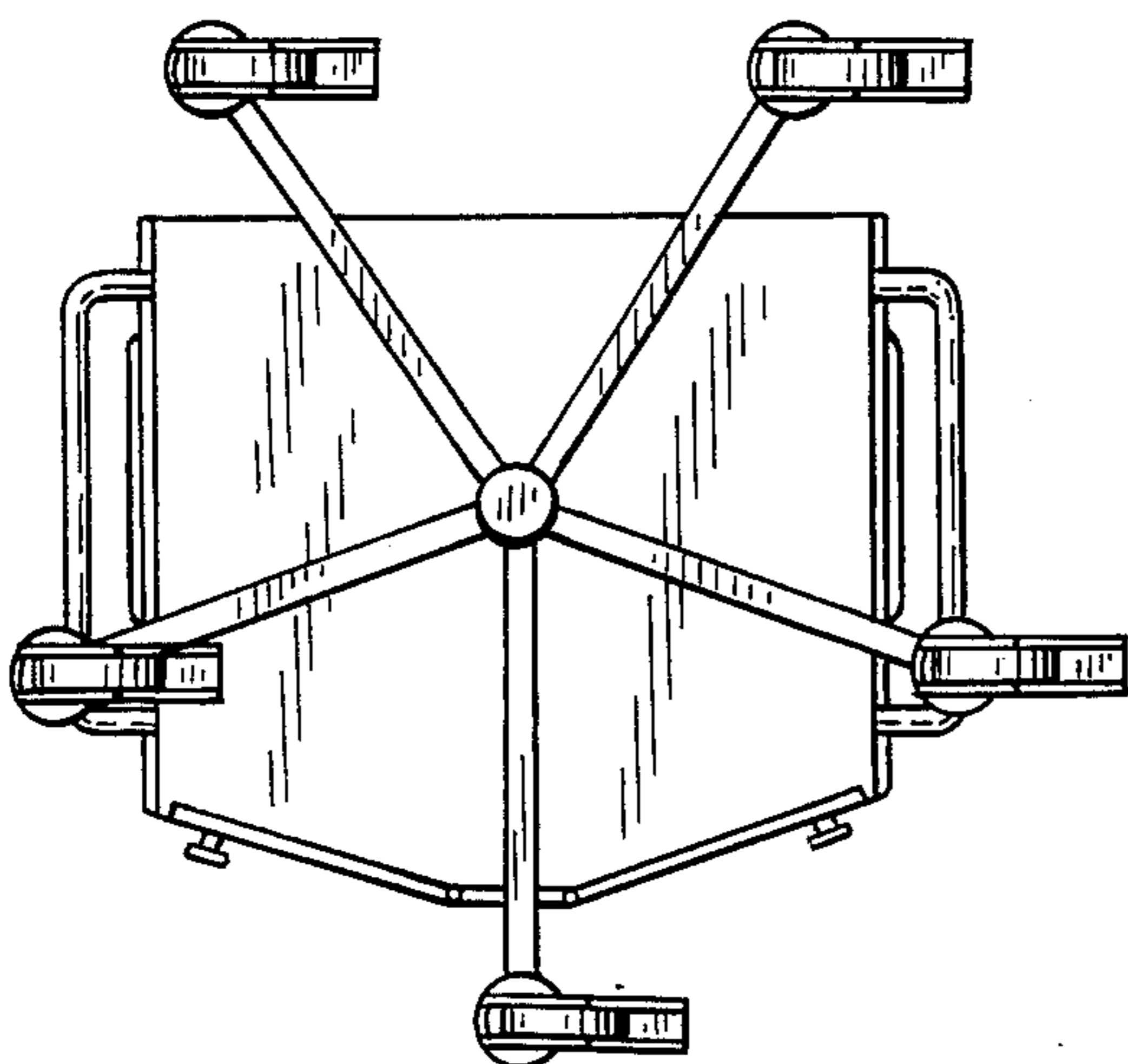


FIG. 5

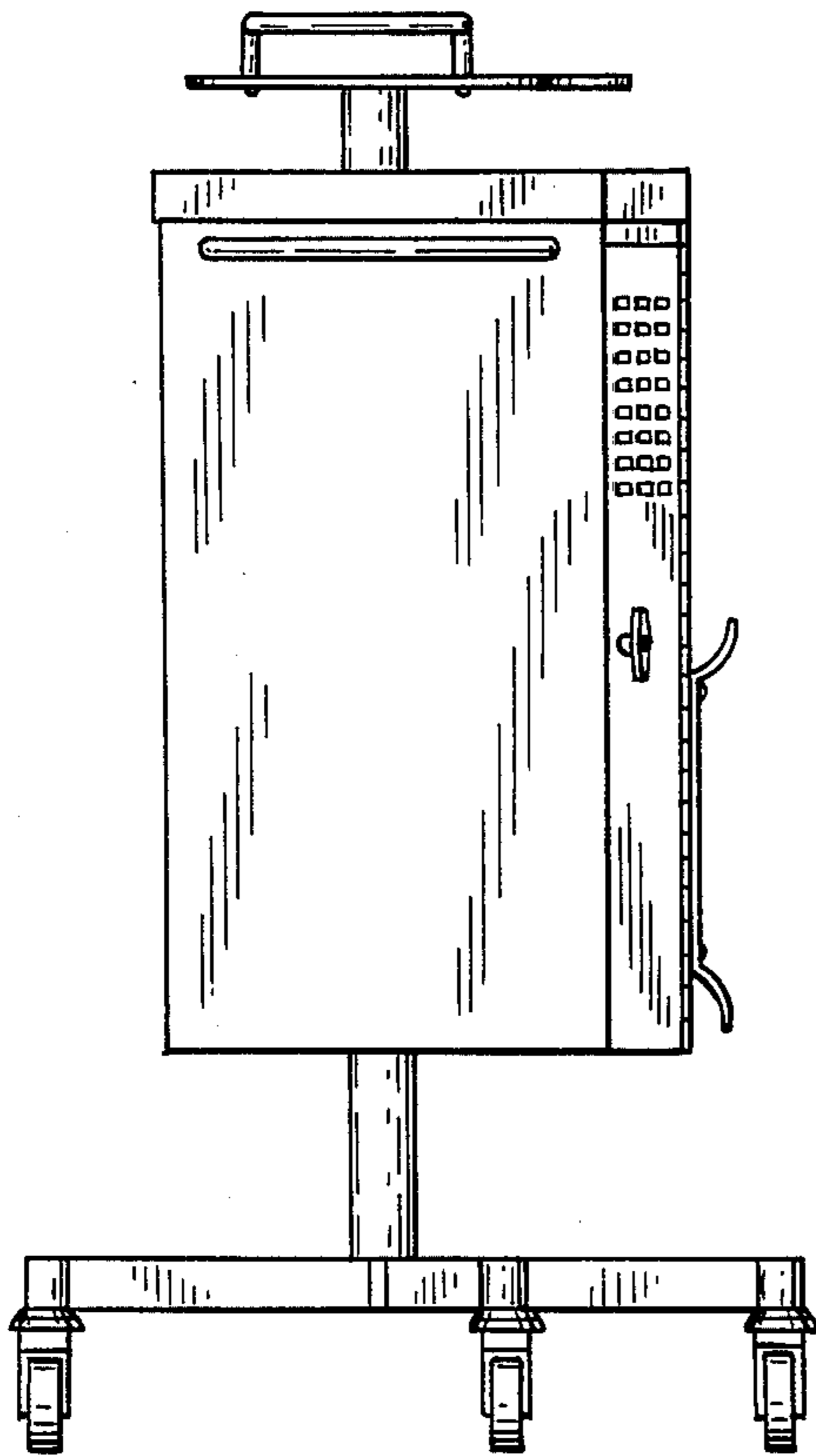


FIG. 6

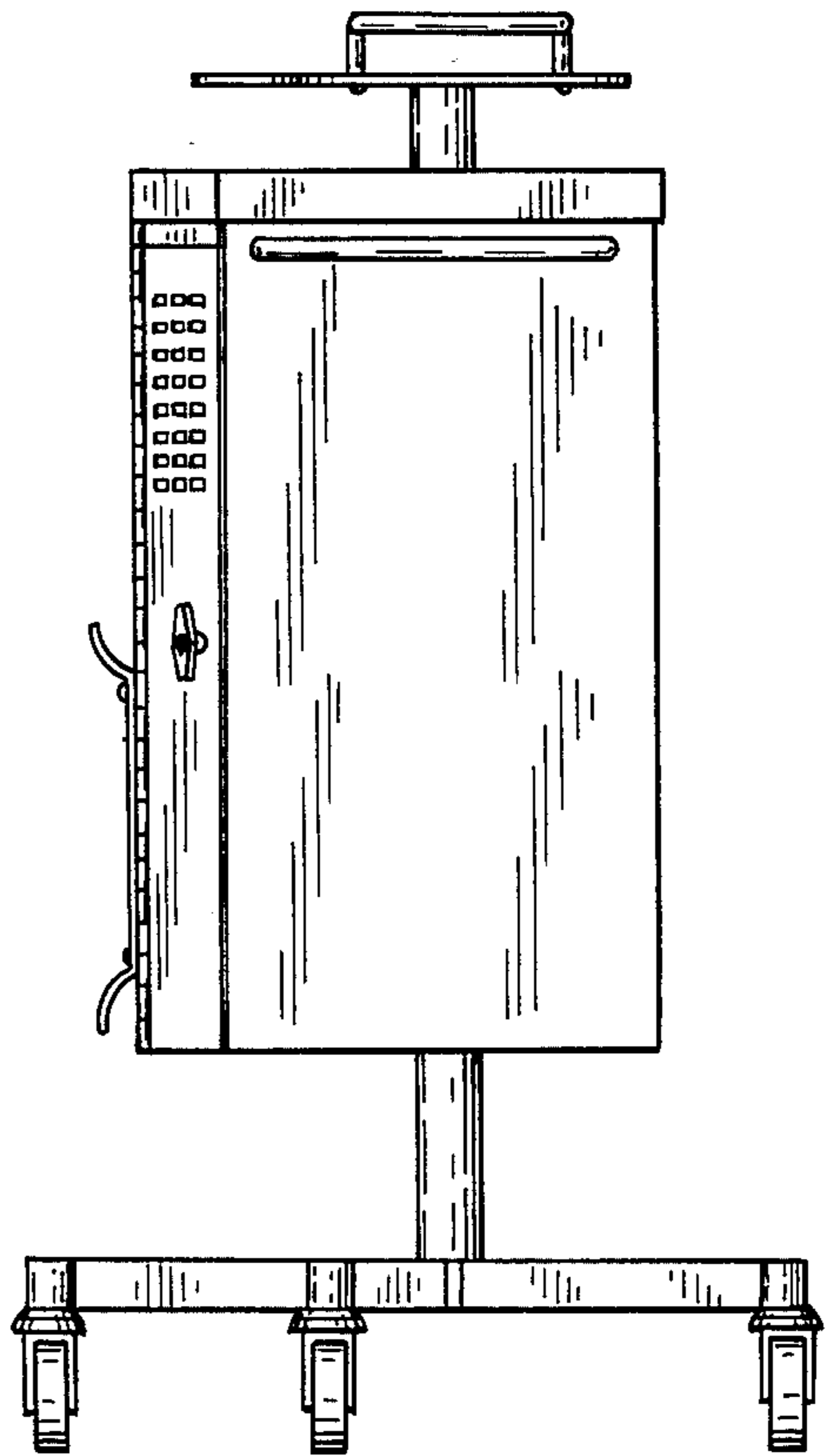


FIG. 7

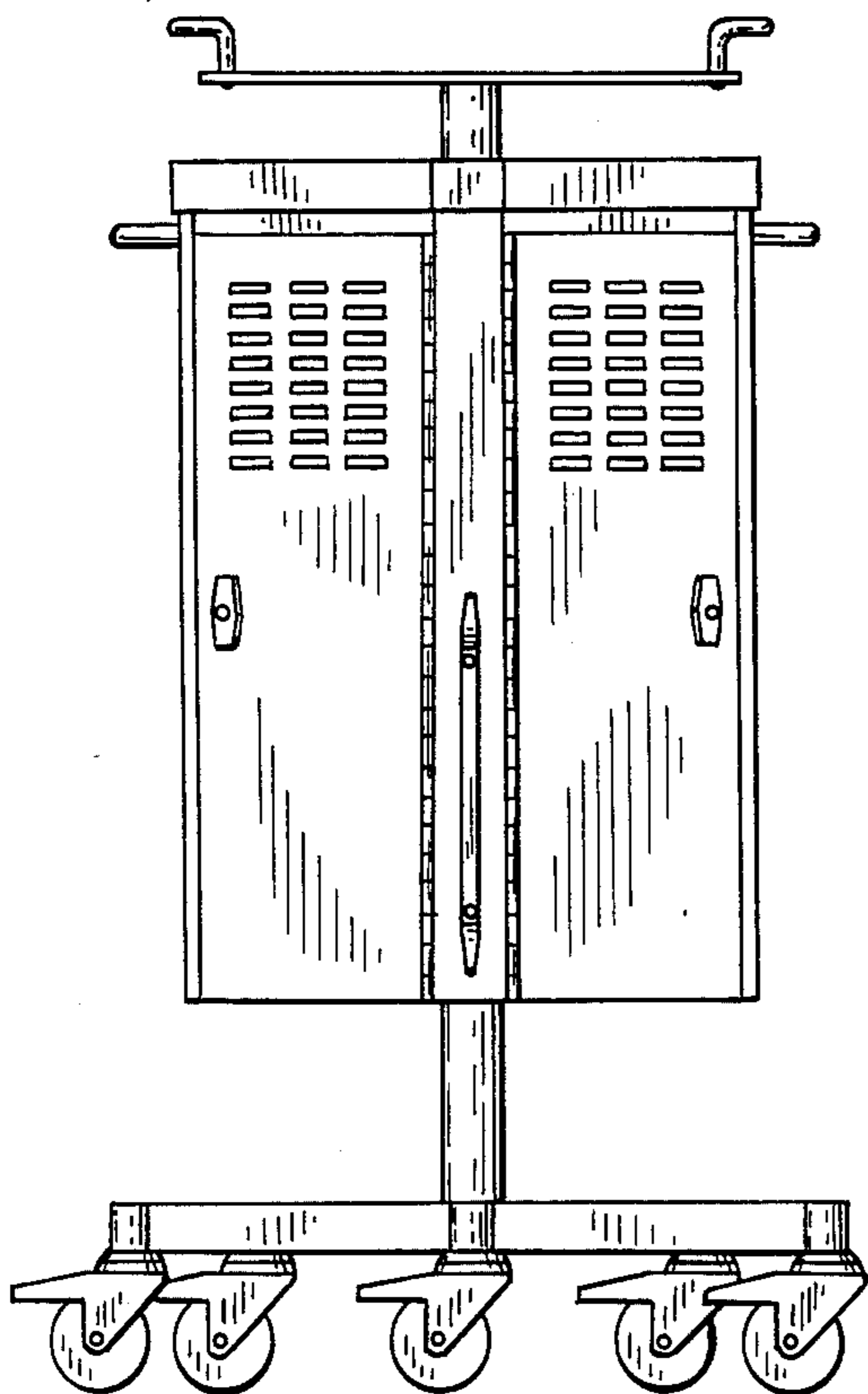


FIG. 8

