

[54] DESK

[75] Inventor: Paul M. LaCour, Ridgewood, N.J.

[73] Assignee: LaCour Incorporated, Ridgewood, N.J.

[**] Term: 14 Years

[21] Appl. No.: 794,102

[22] Filed: Nov. 1, 1985

[52] U.S. Cl. D6/426

[58] Field of Search D6/422, 423, 424-428; 312/194-196; D14/102

[56]

References Cited

U.S. PATENT DOCUMENTS

- D. 172,098 5/1954 Knoll D6/423
- D. 182,263 3/1958 Wells et al. D6/426 X
- D. 188,418 7/1960 Salvesson D6/423 X
- D. 202,790 11/1965 Glover D6/423 X
- D. 209,148 11/1967 Kegel D6/426
- D. 216,991 3/1970 Gianfagna D6/421
- D. 249,609 9/1978 Kramer D6/421
- D. 251,592 4/1979 Giancarlo .

- D. 251,666 4/1979 Coon .
- D. 252,635 8/1979 Richgels D6/421 X
- D. 275,284 8/1984 Wells et al. .

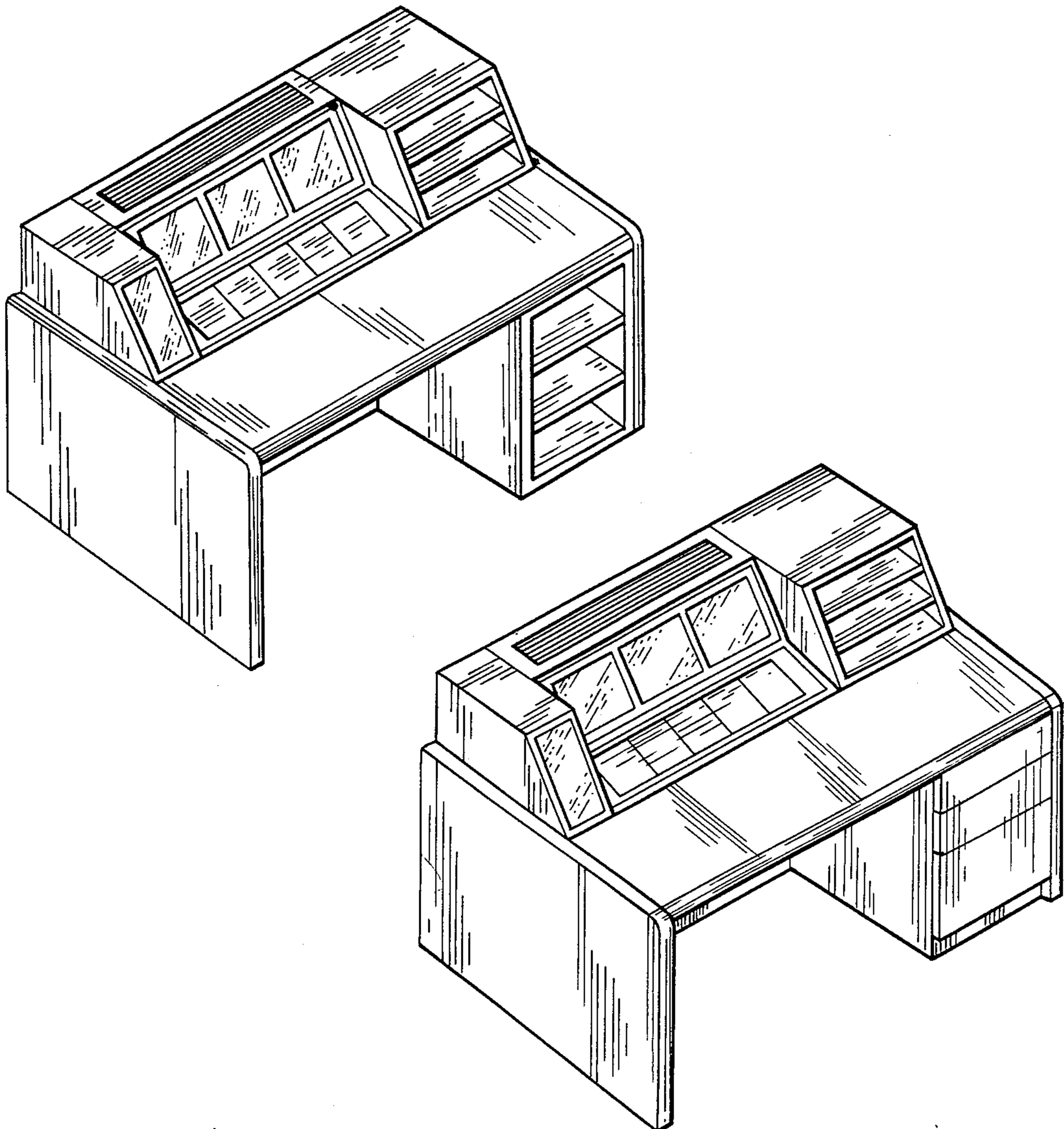
Primary Examiner—Carmen H. Vales
Attorney, Agent, or Firm—Ralph W. Selitto, Jr.

[57] CLAIM

The ornamental design for a desk, as shown and described.

DESCRIPTION

FIG. 1 is a perspective view of a desk showing my new design;
 FIG. 2 is a front elevational view thereof;
 FIG. 3 is a perspective view of another embodiment of the desk shown in FIG. 1;
 FIG. 4 is a front elevational view thereof;
 FIG. 5 is a top plan view thereof;
 FIG. 6 is a left side elevational view, the right side being a mirror image thereof;
 FIG. 7 is a rear elevational view thereof; and
 FIG. 8 is a bottom plan view thereof.
 The appearance of FIGS. 5-8 is the same for both embodiments.



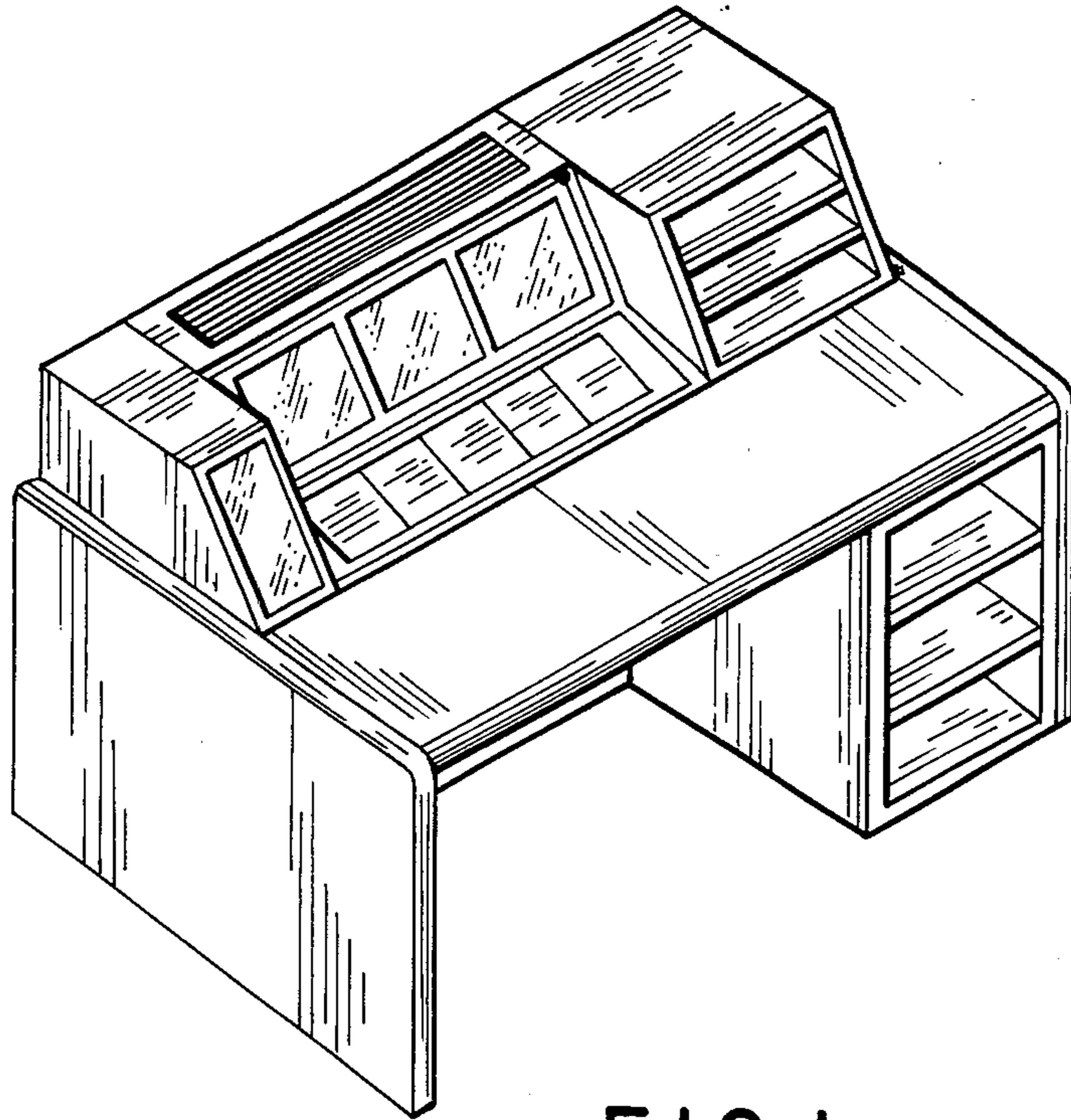


FIG. 1

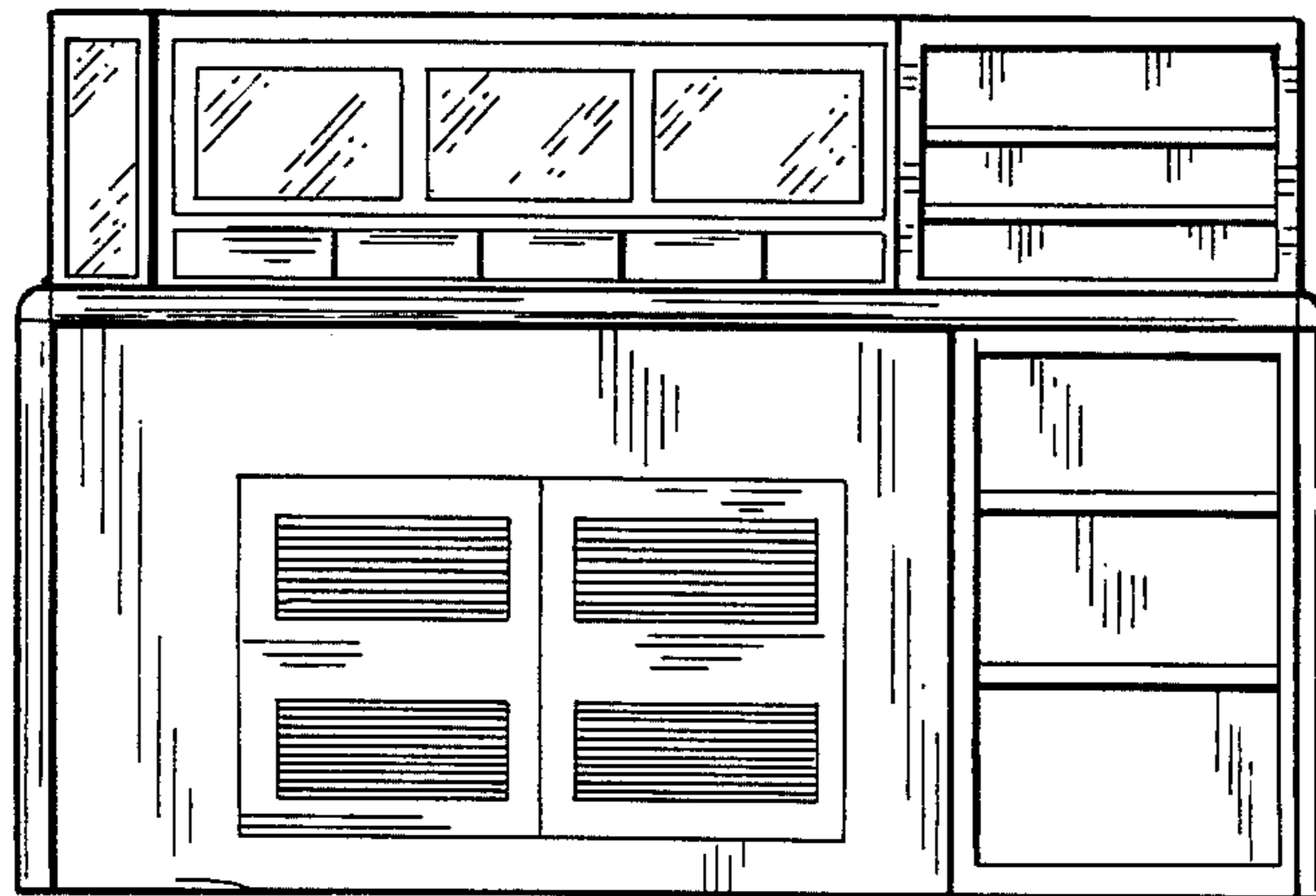


FIG. 2

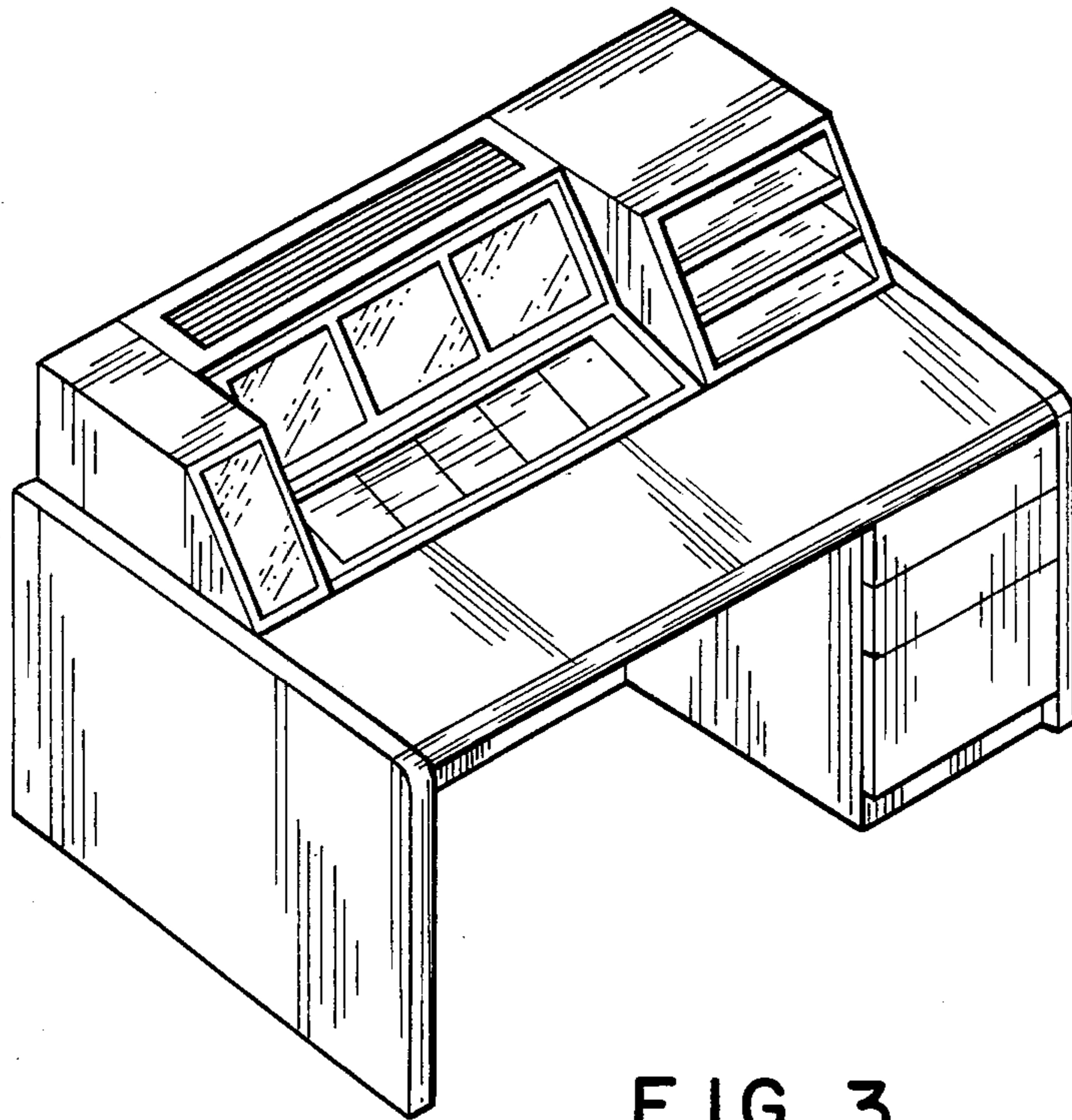


FIG. 3

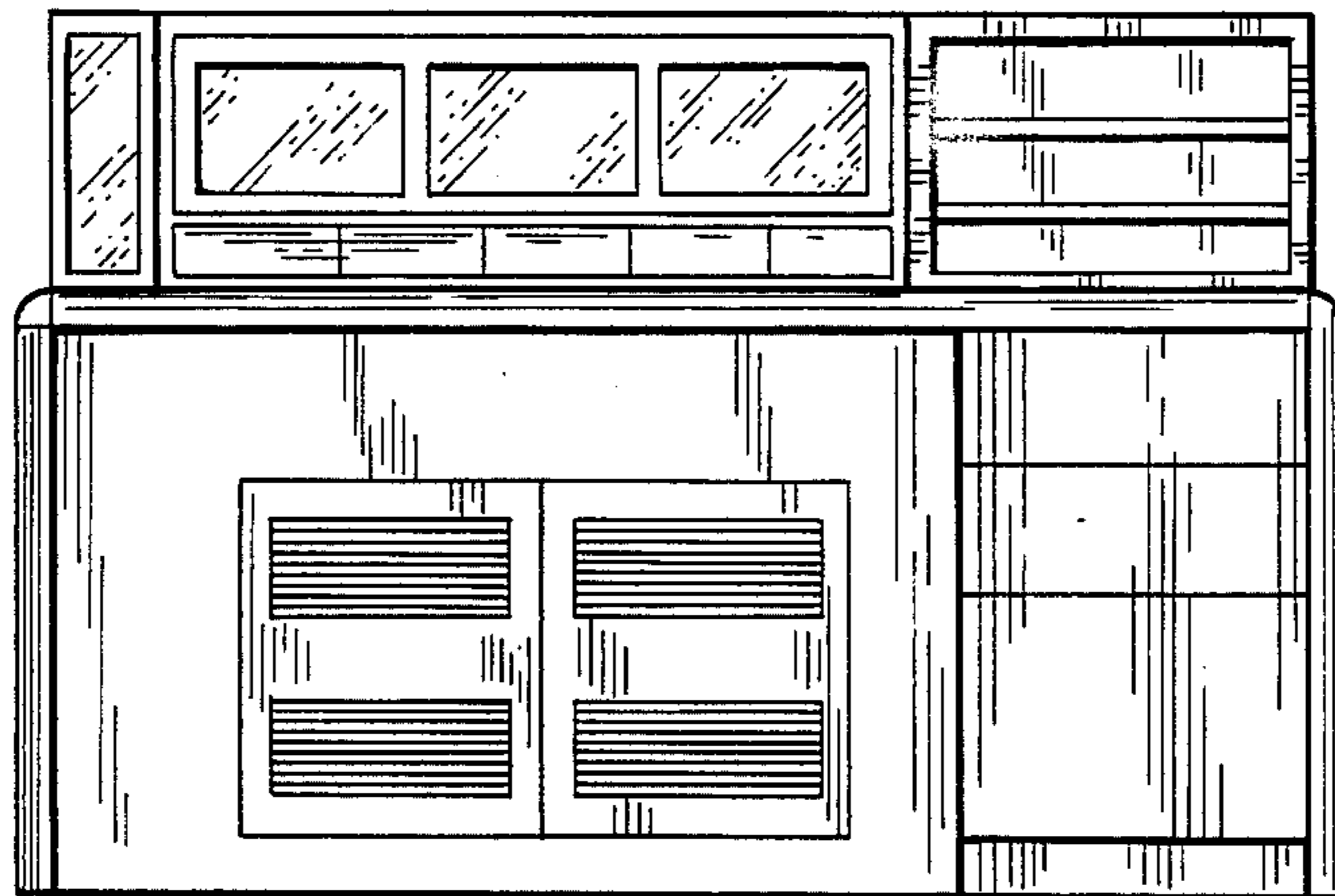


FIG. 4

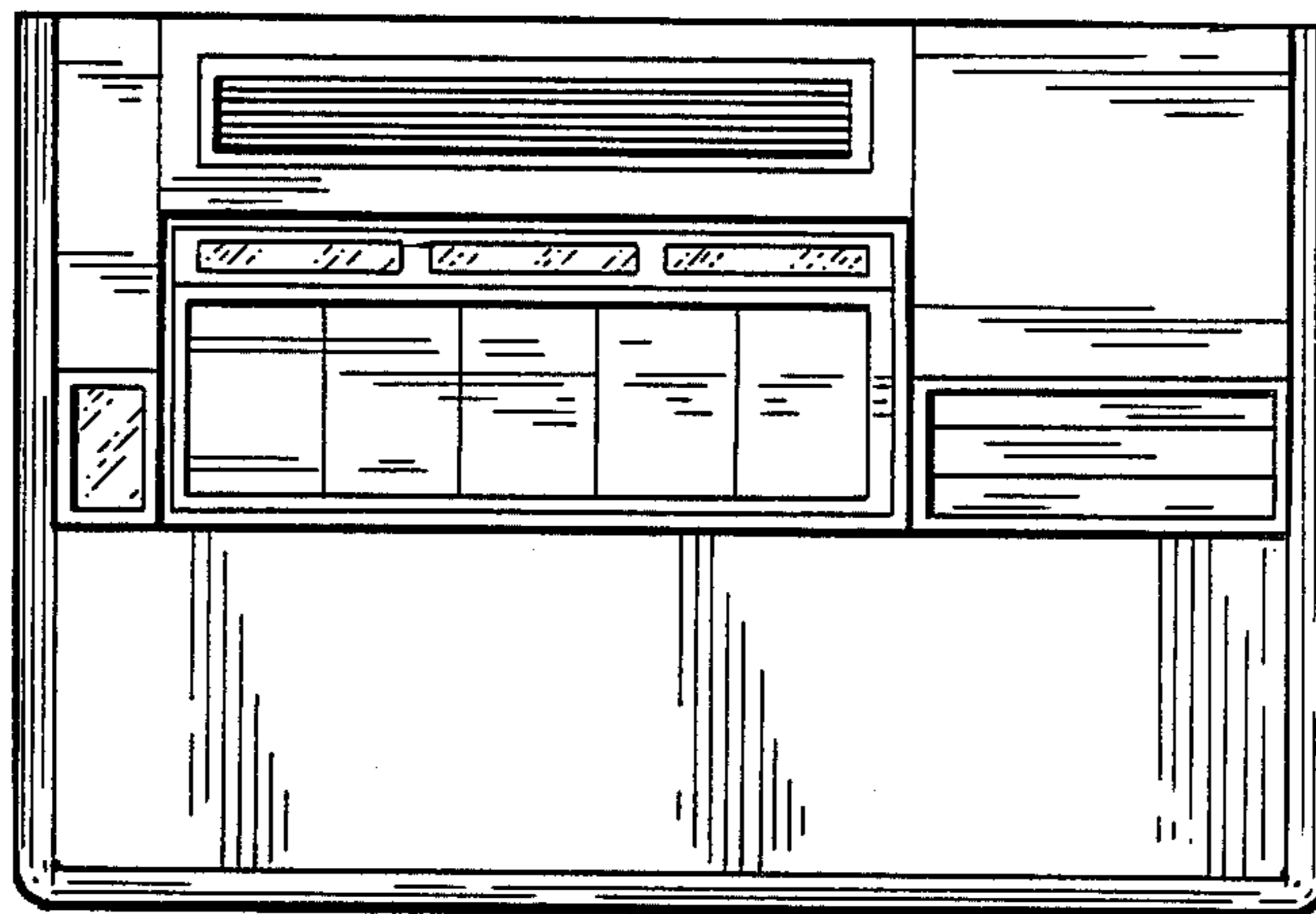


FIG. 5

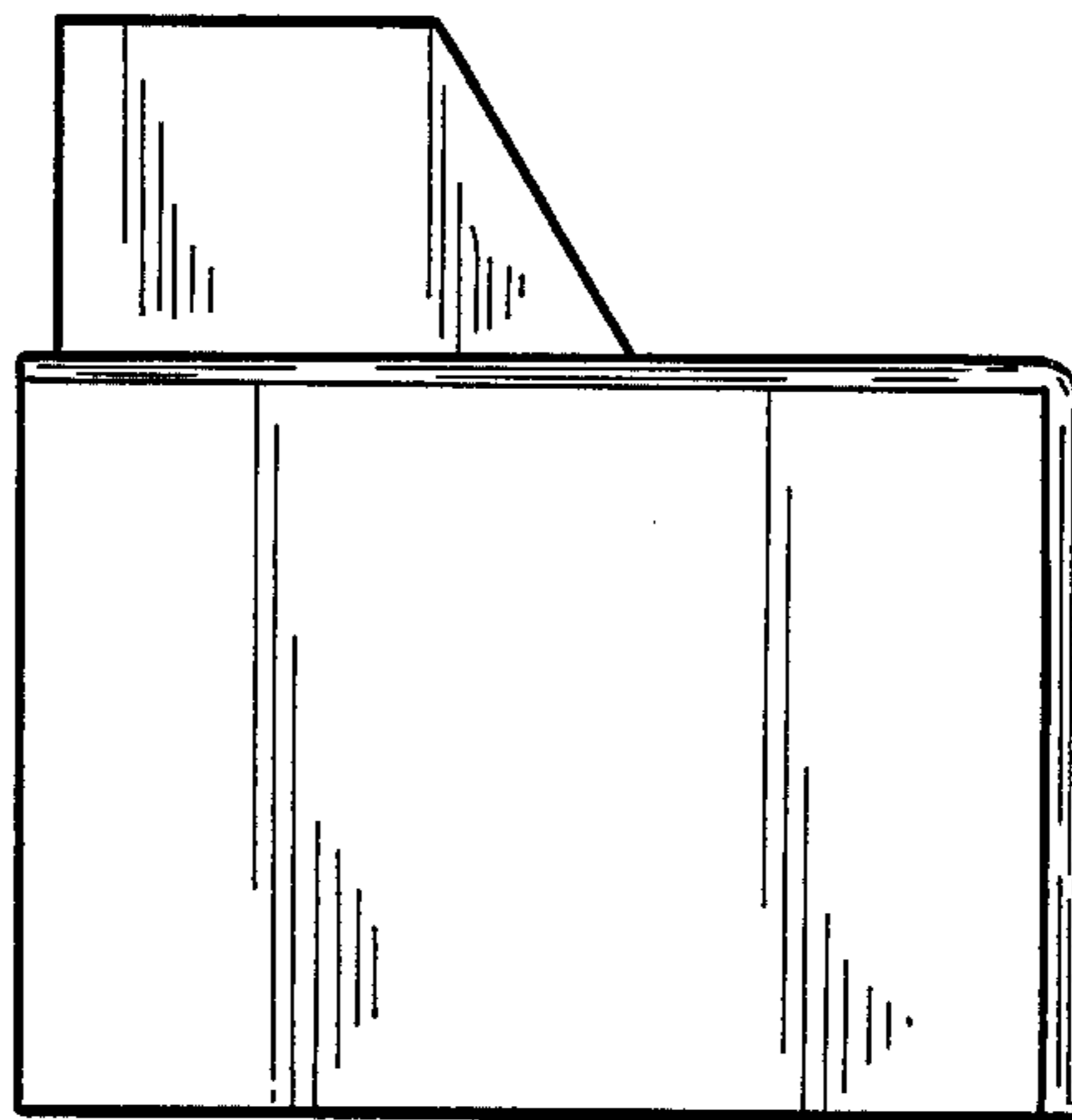


FIG. 6

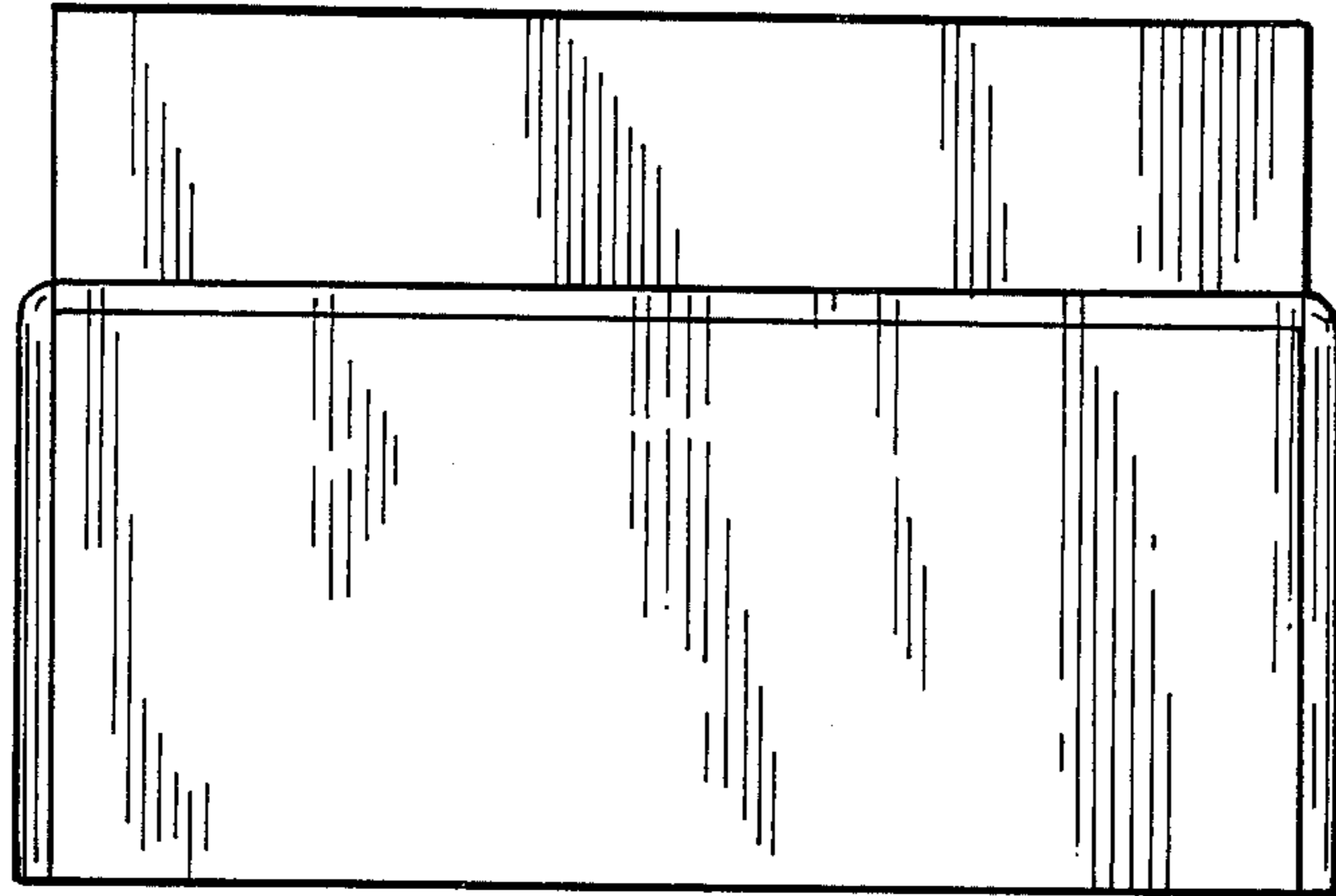


FIG. 7

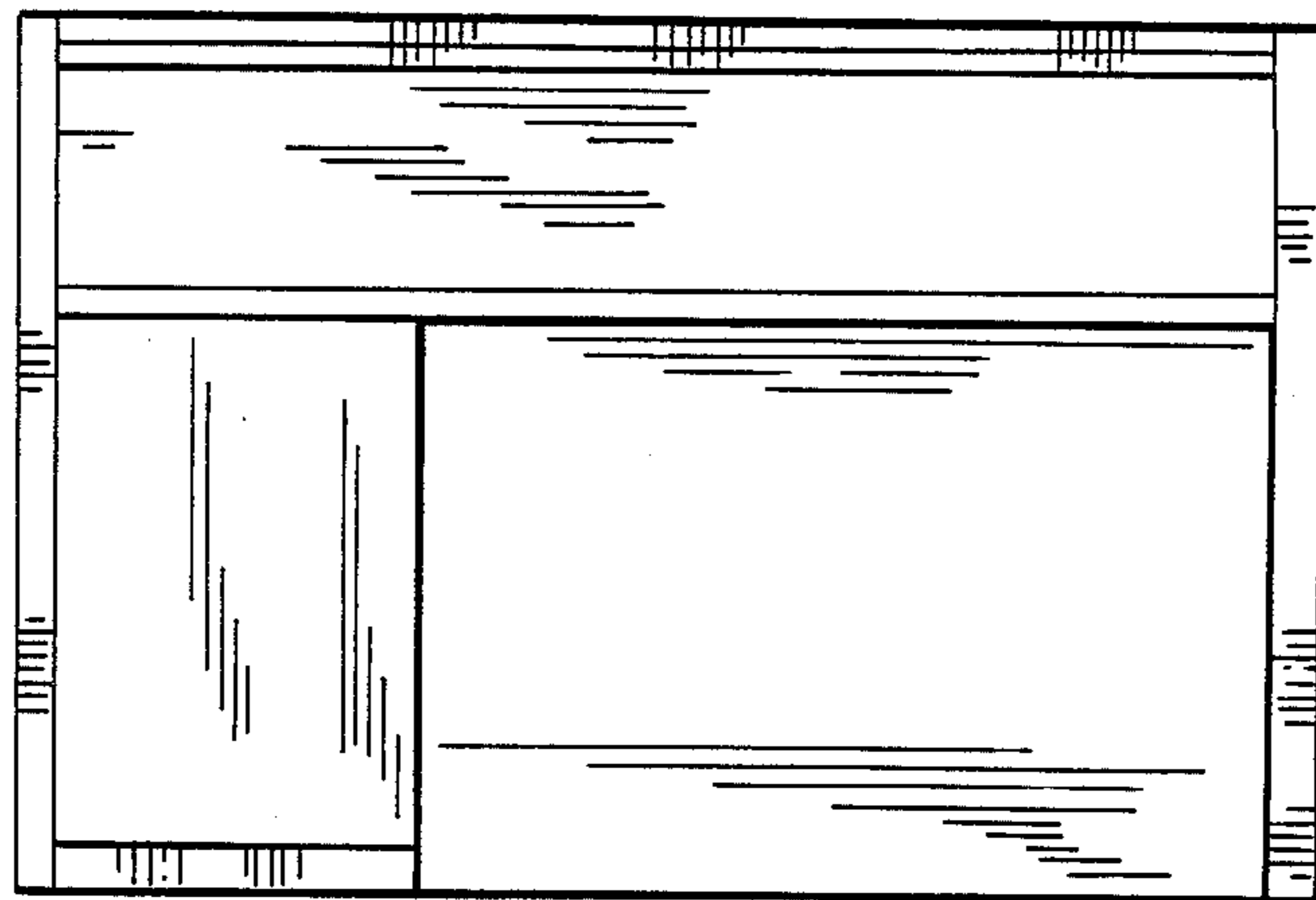


FIG. 8