

[54] FOLDING GARMENT HANGER

[75] Inventor: Peter Shalson, London, England

[73] Assignee: Braitrust (London) Limited, London, England

[\*\*] Term: 14 Years

[21] Appl. No.: 917,192

[22] Filed: Oct. 9, 1986

[30] Foreign Application Priority Data

Apr. 10, 1986 [GB] United Kingdom ..... 1033354

[52] U.S. Cl. .... D6/326

[58] Field of Search ..... D6/315-319, D6/326-328; 211/113; 223/85, 89, 90, 91, 94, 95, 96

[56] References Cited

U.S. PATENT DOCUMENTS

3,698,607 10/1972 Batts ..... 223/96

3,738,549 6/1973 Driscoll ..... 223/85  
4,355,743 10/1982 Erthein ..... 223/96  
4,703,878 11/1987 Louw ..... D6/315

FOREIGN PATENT DOCUMENTS

2093690 9/1982 United Kingdom ..... 223/85

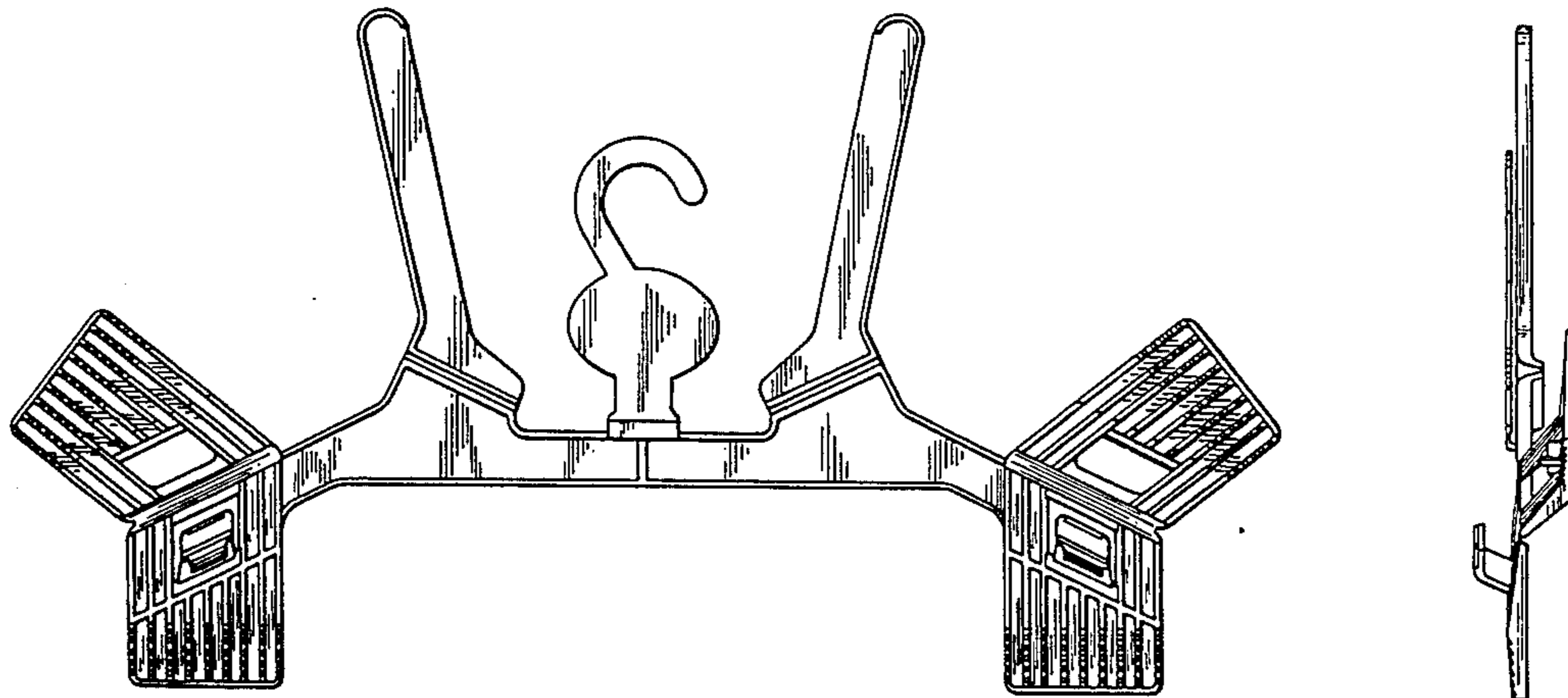
Primary Examiner—B. J. Bullock  
Attorney, Agent, or Firm—Ladas & Parry

[57] CLAIM

The ornamental design for a folding garment hanger, as described and shown.

DESCRIPTION

FIG. 1 is a front elevational view of a folding garment hanger showing my new design;  
FIG. 2 is a top plan view thereof;  
FIG. 3 is a right side elevational view thereof;  
FIG. 4 is a rear elevational view thereof;  
FIG. 5 is a bottom plan view thereof; and  
FIG. 6 is a left side elevational view thereof.



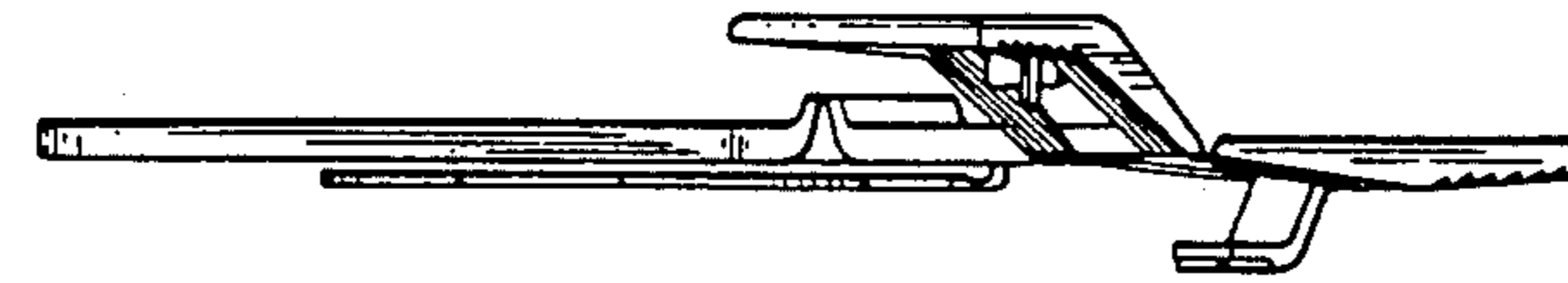


Fig. 3

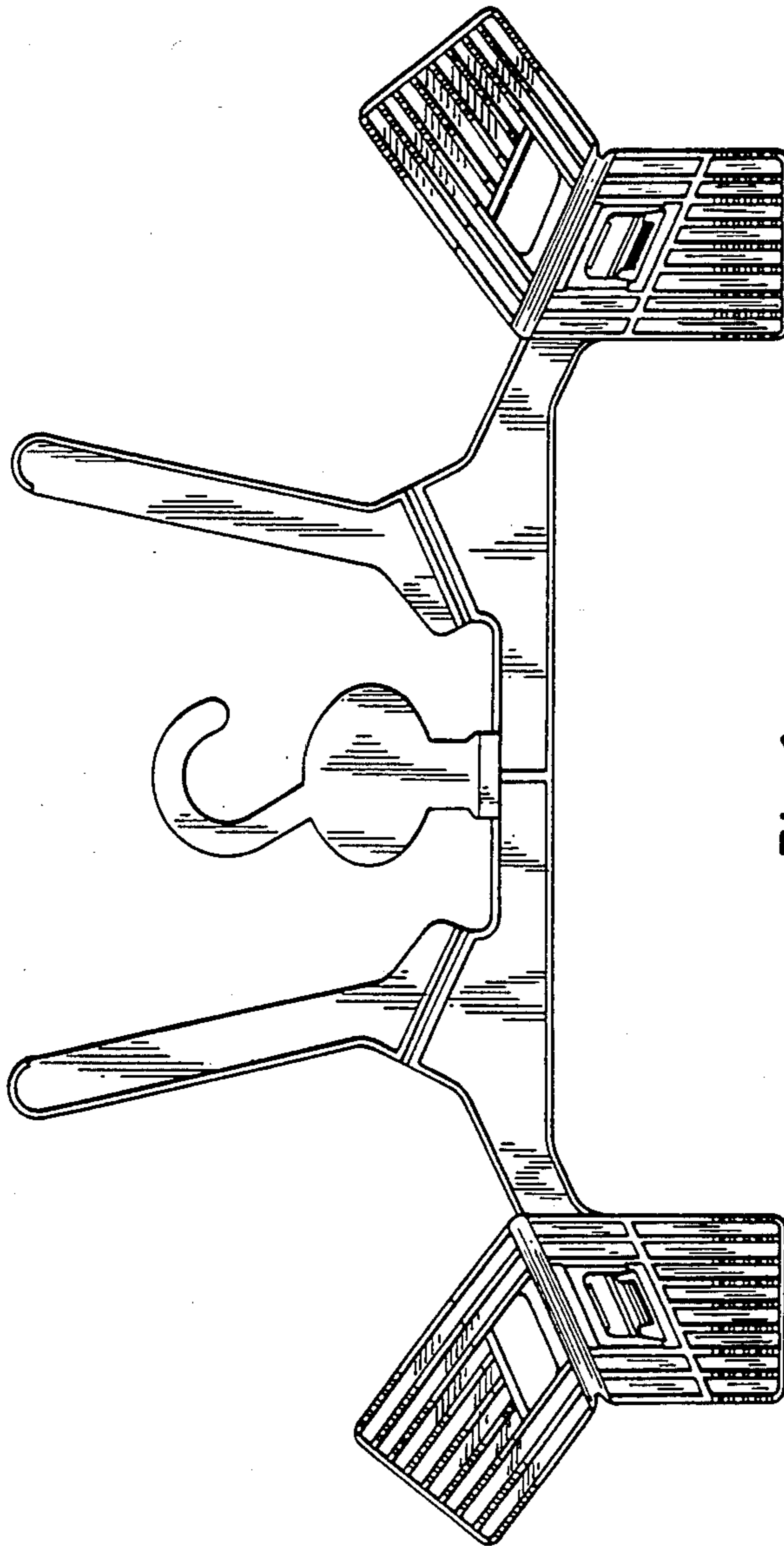


Fig. 1

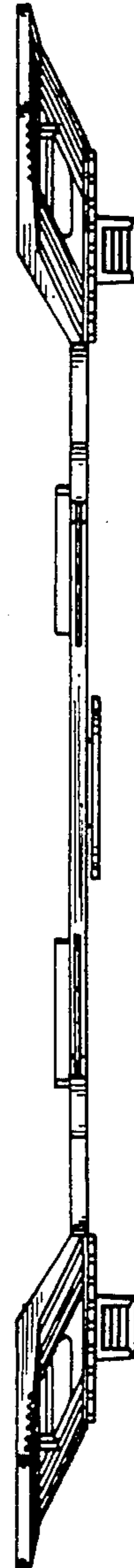


Fig. 2

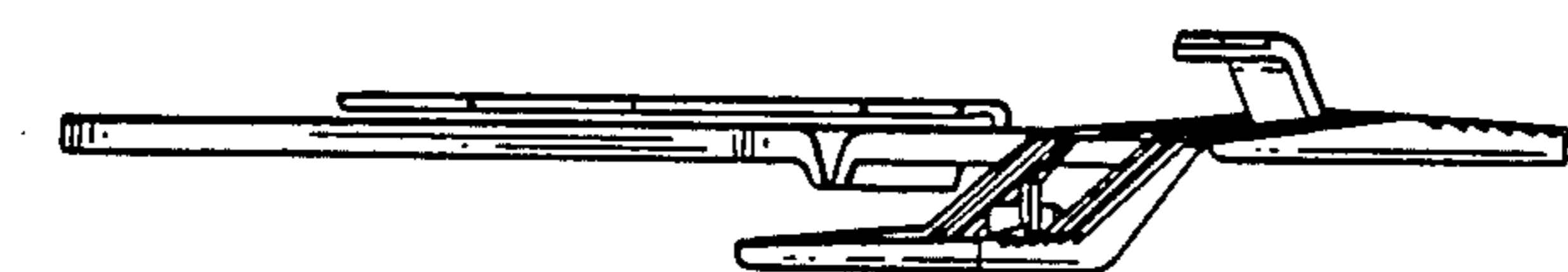


Fig.6

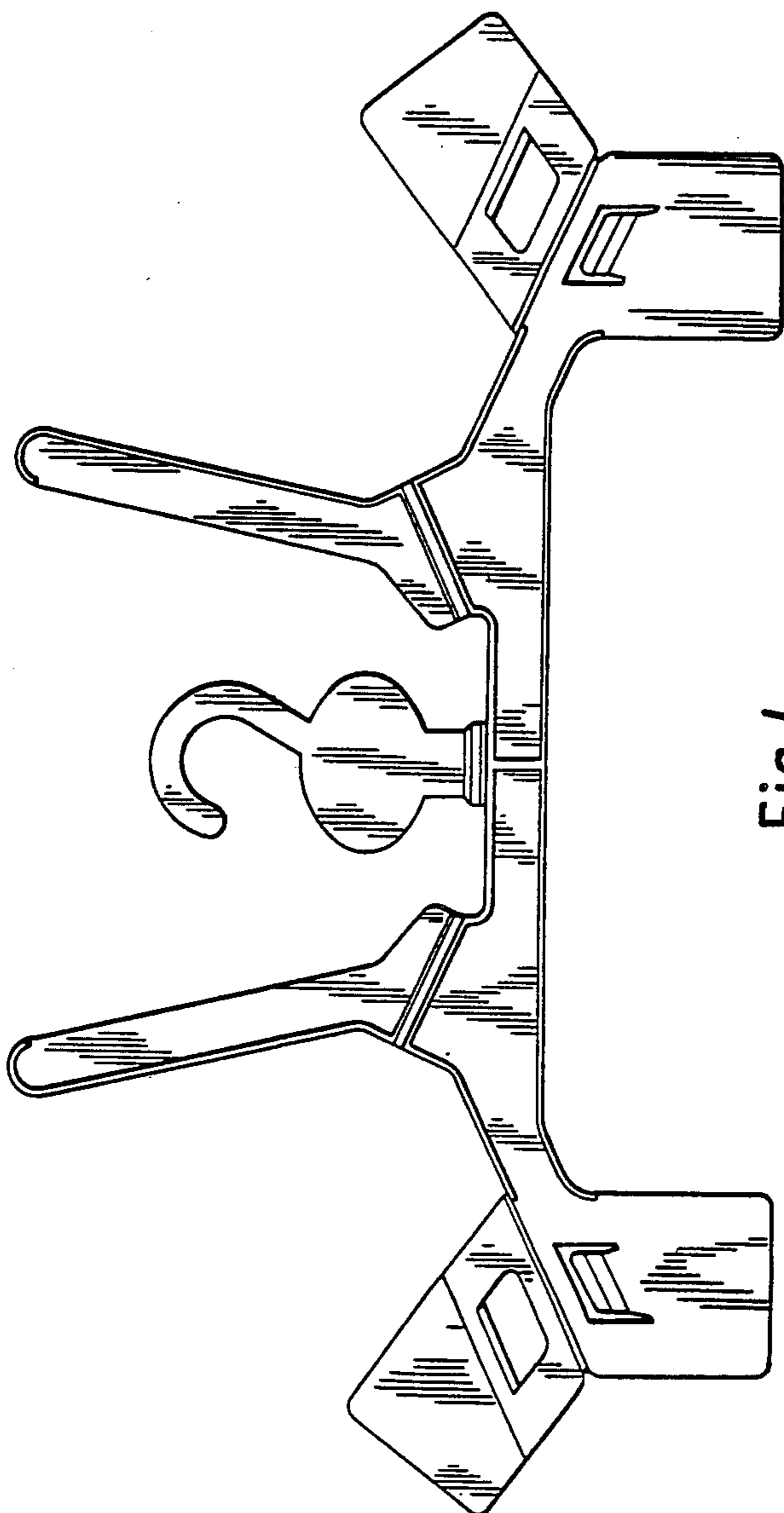


Fig.4

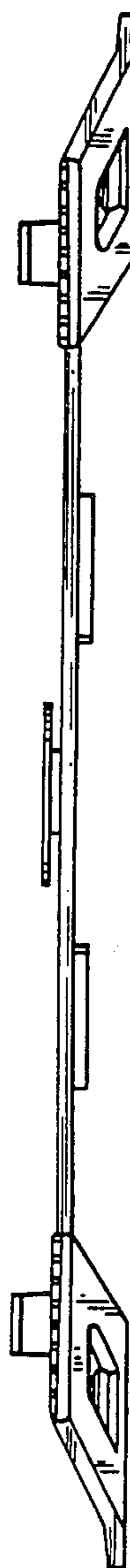


Fig.5