

[54] GARMEN BAG

[75] Inventor: Marvin Cooper, New Rochelle, N.Y.

[73] Assignee: Dynamic Classics, Ltd., New York, N.Y.

[**] Term: 14 Years

[21] Appl. No.: 808,519

[22] Filed: Dec. 13, 1985

[52] U.S. Cl. D3/71

[58] Field of Search D3/71, 74, 76, 78, 79, D3/77, 48, 30.1; 190/100, 107, 109-112; 206/286, 287, 287.1

[56] References Cited

U.S. PATENT DOCUMENTS

- D. 270,872 10/1983 Katz et al. D3/71
- D. 270,970 10/1983 Katz et al. D3/71

Primary Examiner—Bernard Ansher
Assistant Examiner—Terry Pfeffer

[57] CLAIM

The ornamental design for a garment bag, as shown and described.

DESCRIPTION

FIG. 1 is a top plan view of a garment bag showing my new design in the folded position;
 FIG. 2 is a front elevational view thereof;
 FIG. 3 is a right-side elevational view thereof;
 FIG. 4 is a rear elevational view thereof;
 FIG. 5 is a left-side elevational view thereof;
 FIG. 6 is a bottom plan view thereof;
 FIG. 7 is a front elevational view of the garment bag in the unfolded position;
 FIG. 8 is a right-side elevational view of FIG. 6; and
 FIG. 9 is a rear elevational view of the garment bag in the unfolded position.

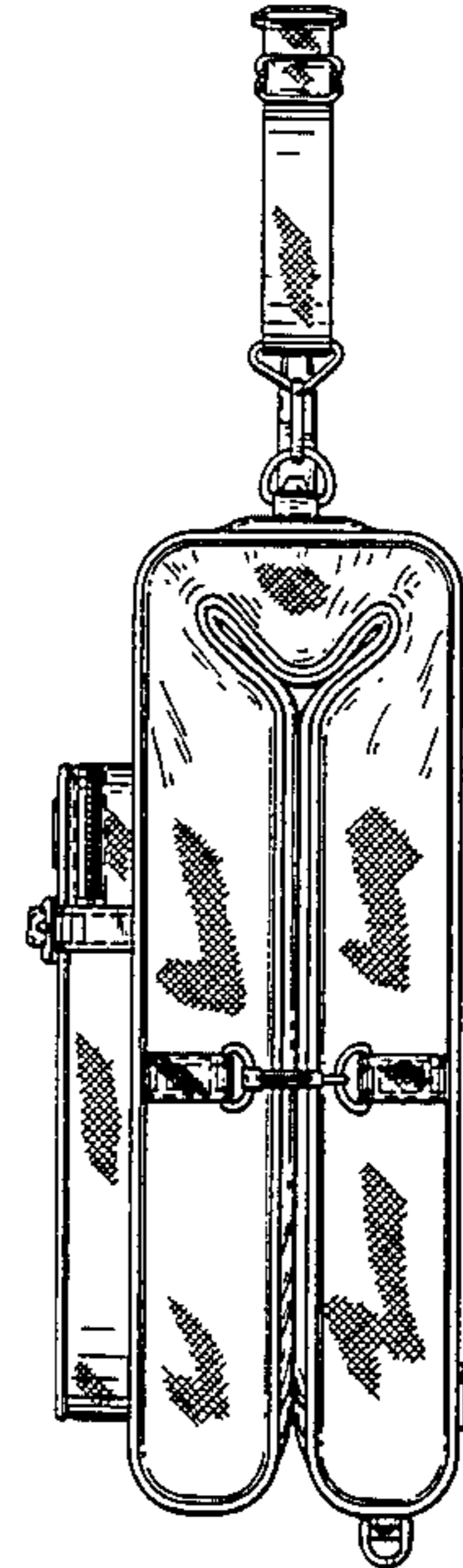
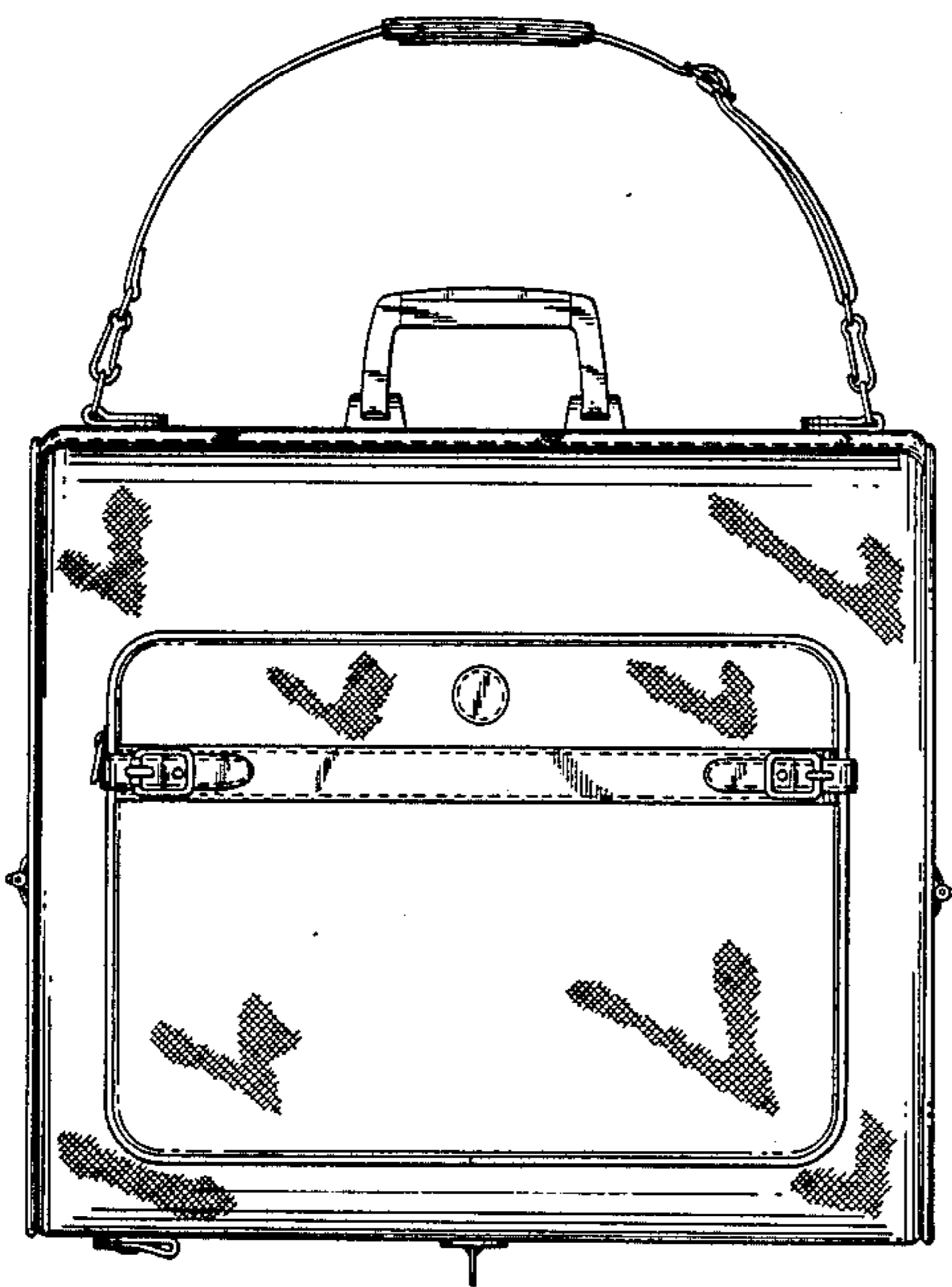


FIG. 1

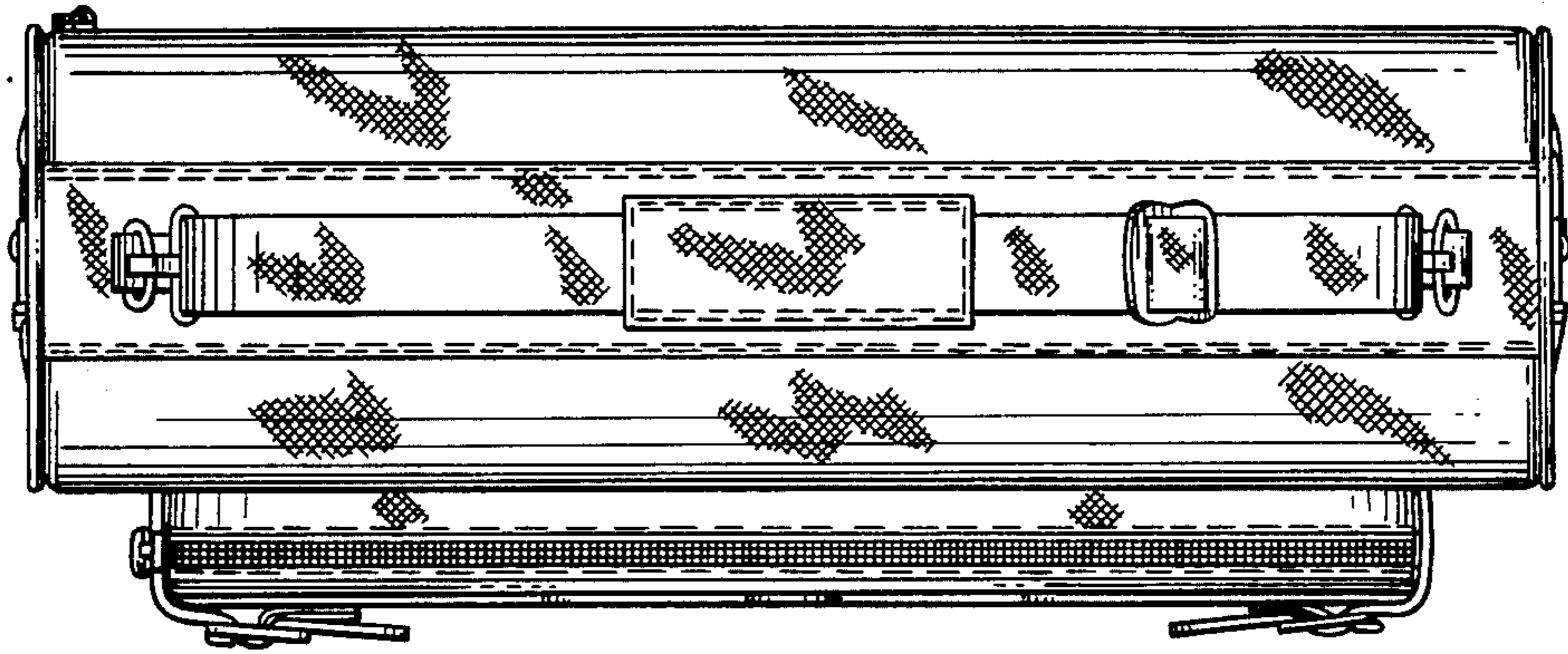
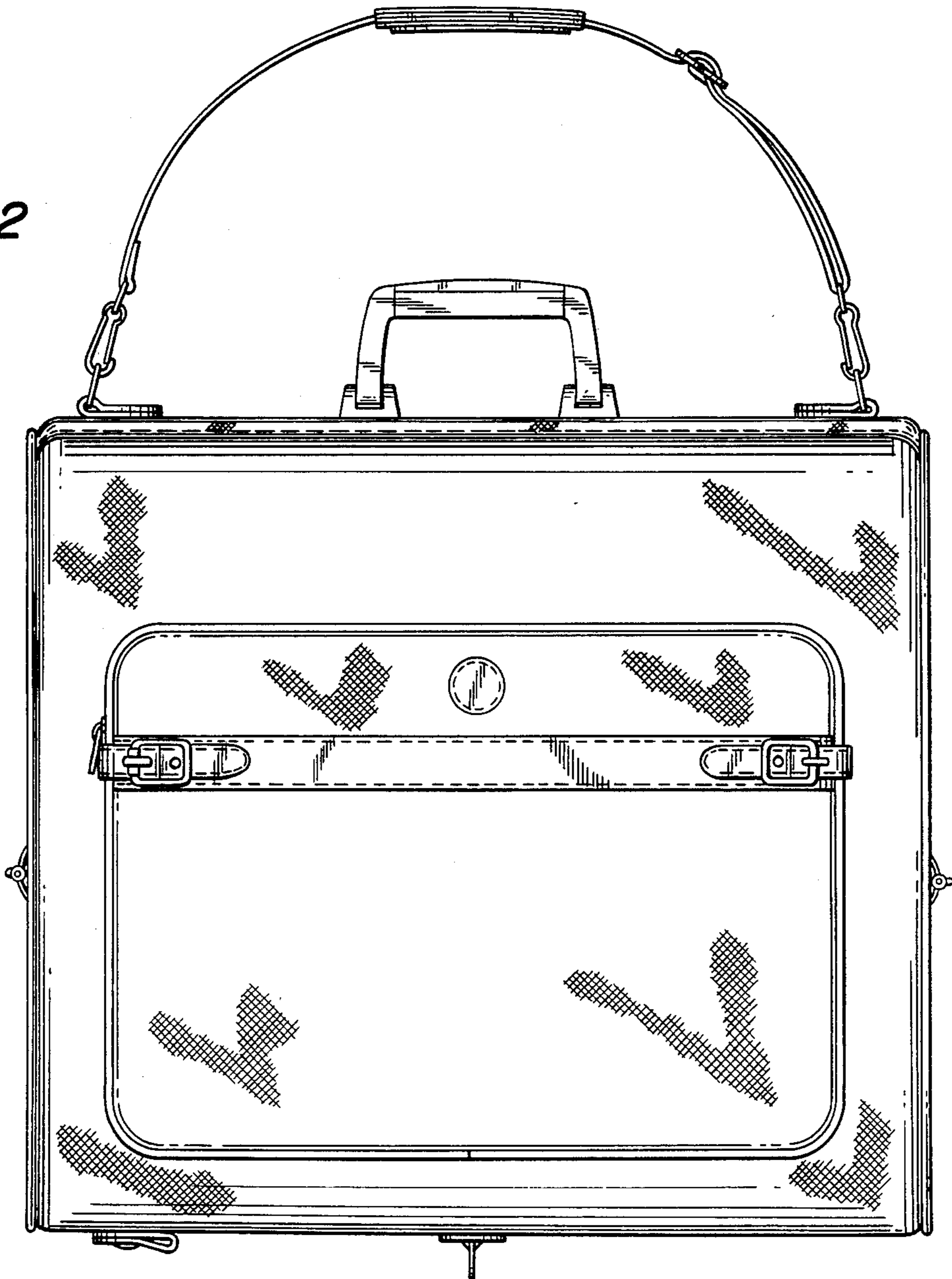


FIG. 2



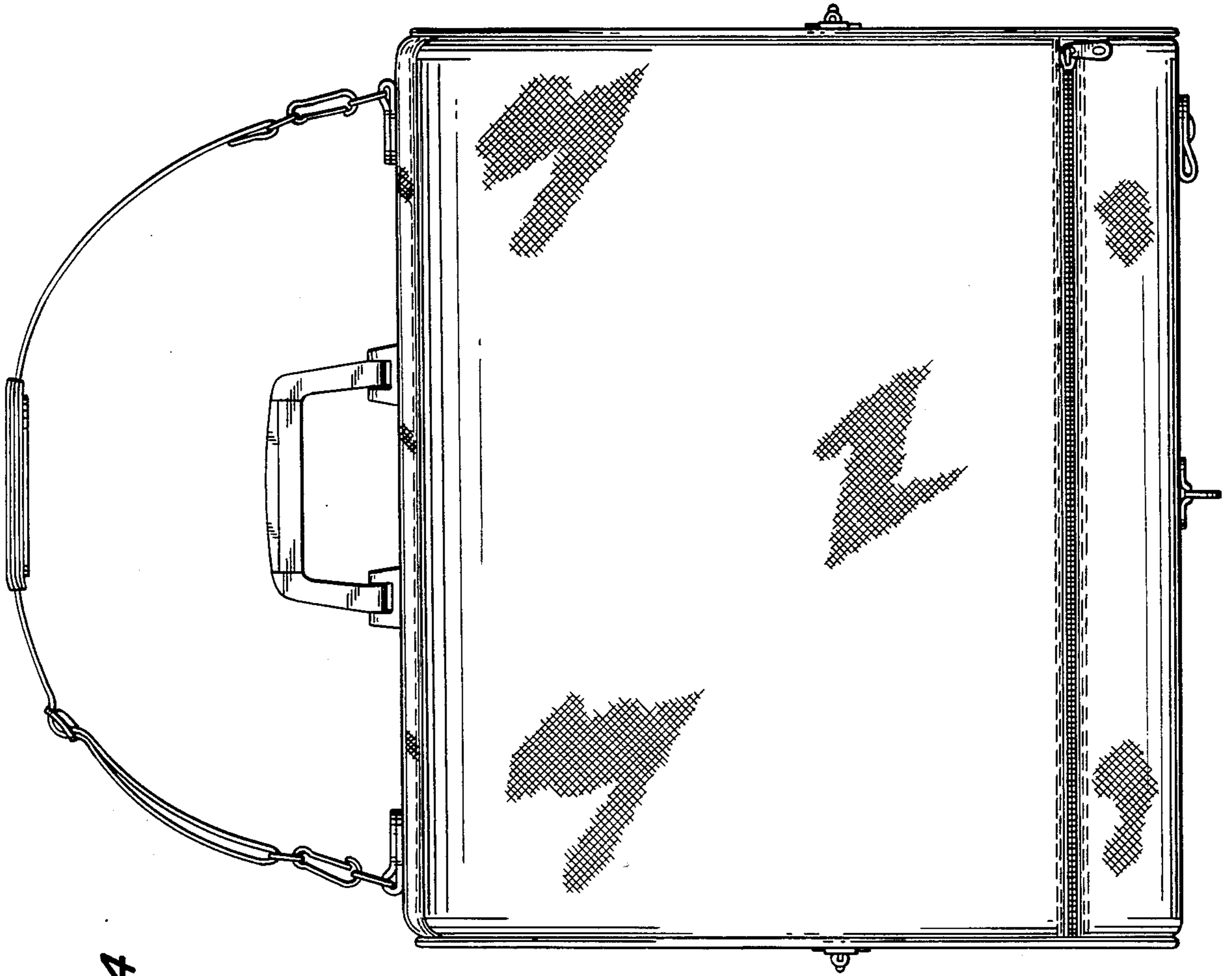


FIG. 4

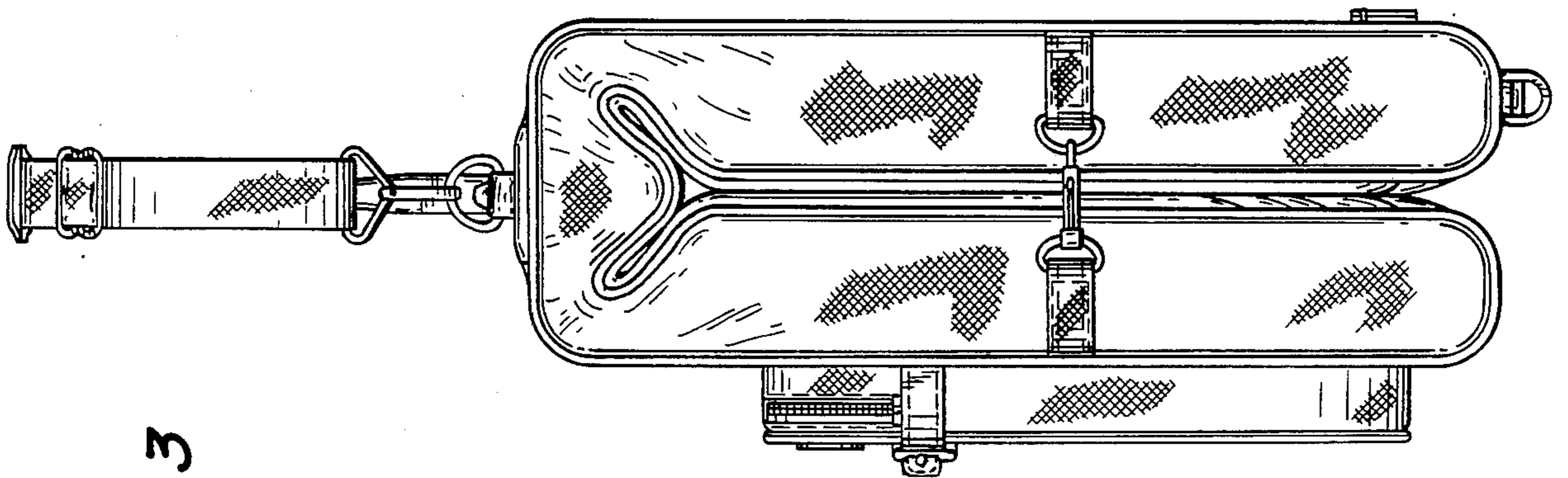


FIG. 3

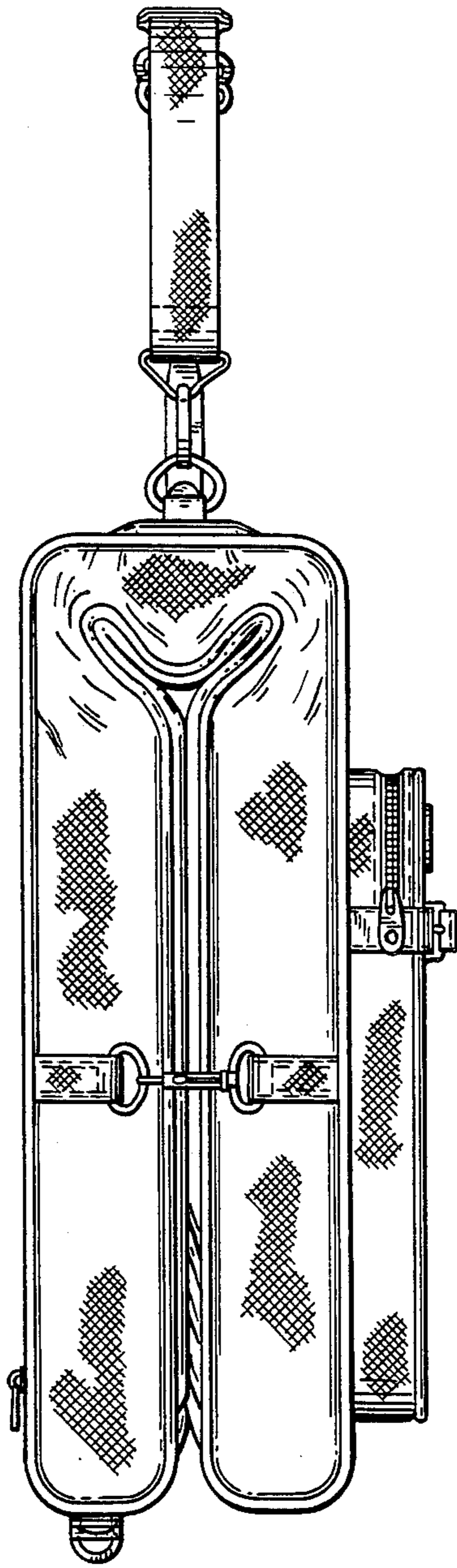


FIG. 5

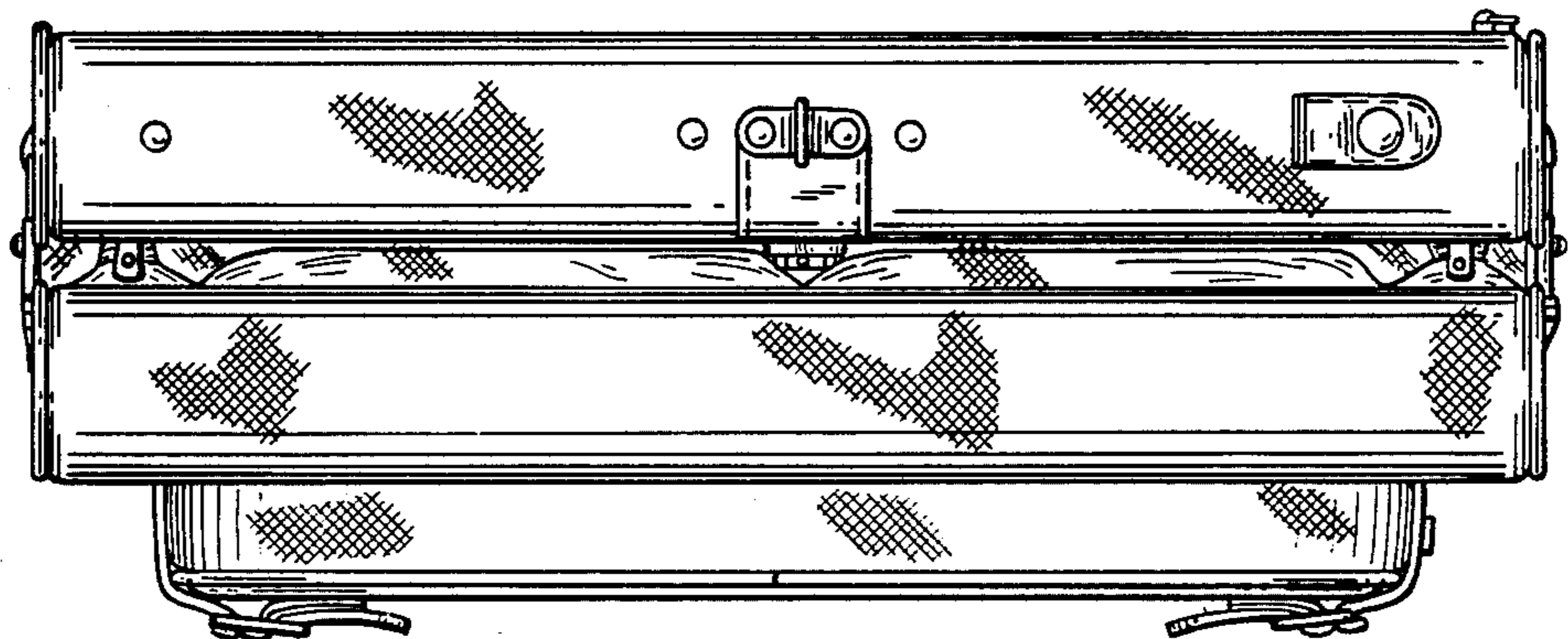


FIG. 6

FIG. 7

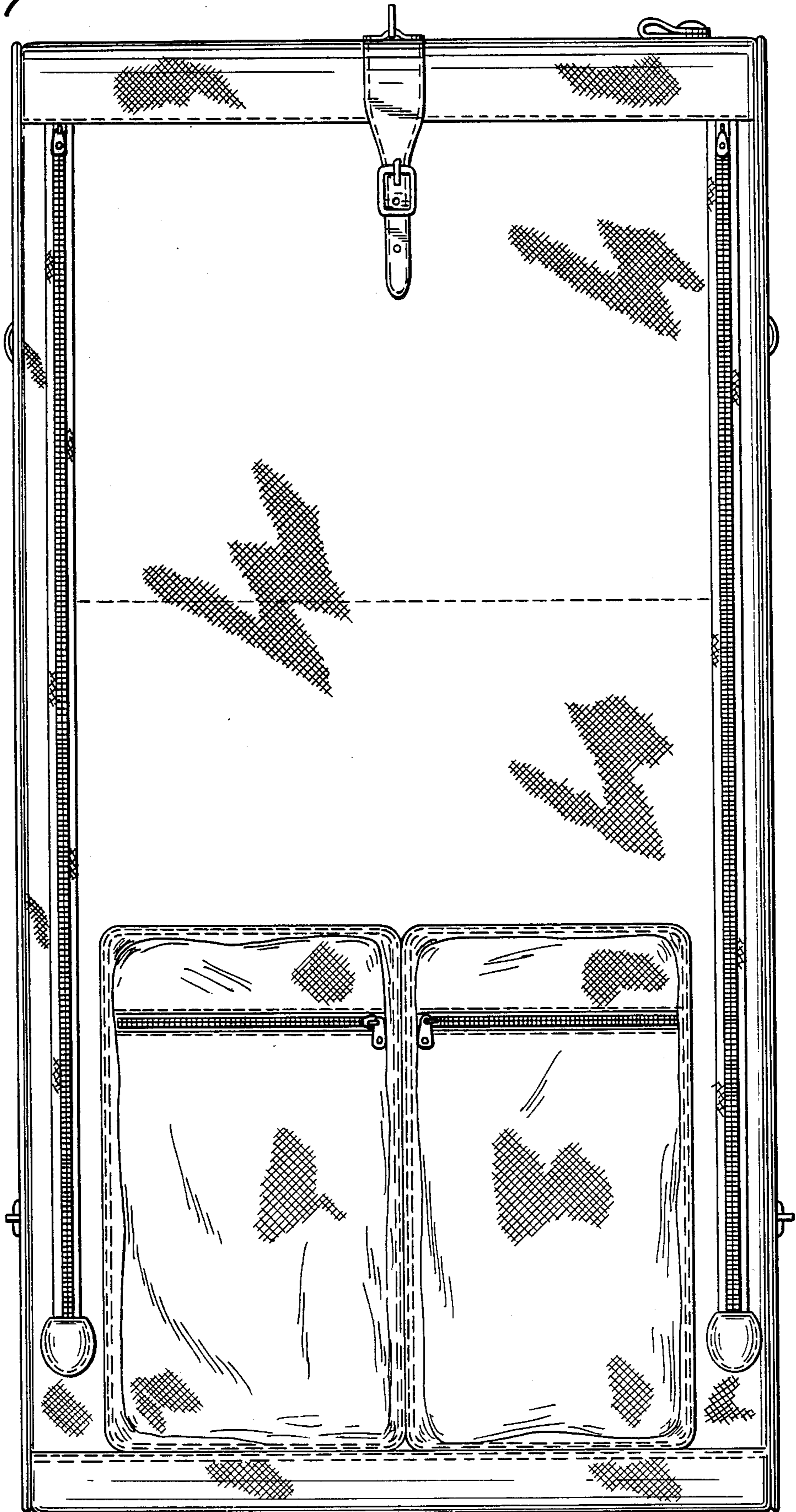


FIG. 8

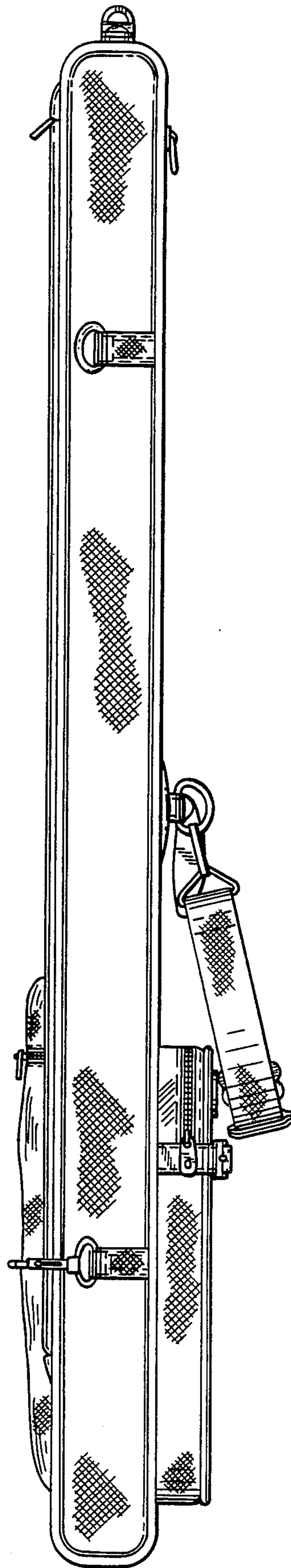


FIG. 9

