

[54] **PORTABLE AUTO TABLE**

[76] **Inventor: Freddie J. Rychlock, 5747 S. Mozart St., Chicago, Ill. 60649**

[\*\*] **Term: 14 Years**

[21] **Appl. No.: 806,929**

[22] **Filed: Nov. 27, 1985**

[52] **U.S. Cl. .... D3/40**

[58] **Field of Search ..... D3/40; D6/535, 572, D6/574; D7/37; 211/88, 104; 312/280-282; 108/44**

[56] **References Cited**

**U.S. PATENT DOCUMENTS**

D. 222,805 1/1972 Osborn ..... D6/503 X  
2,932,544 4/1960 Lambert ..... 211/88 X

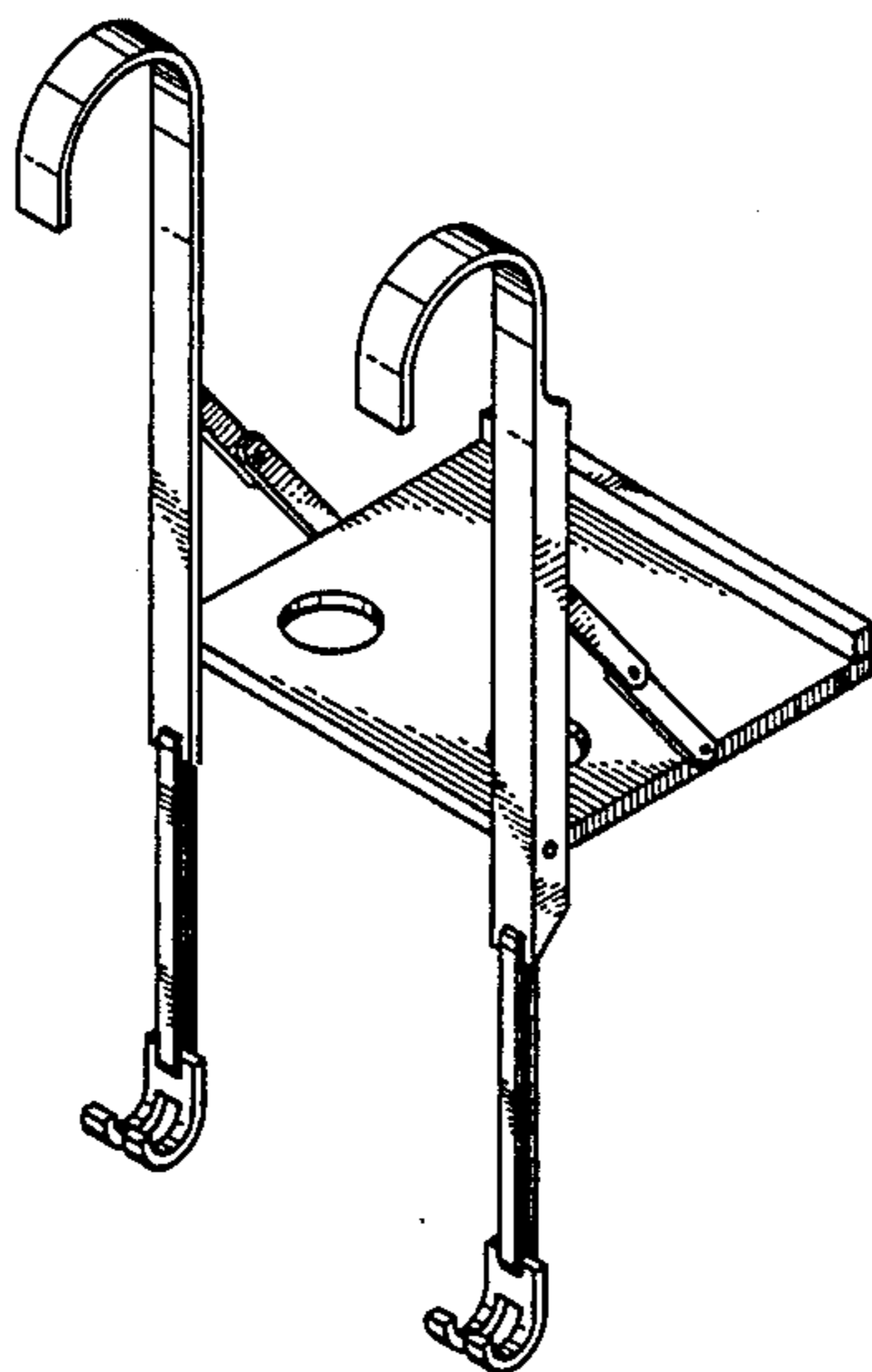
*Primary Examiner*—Bernard Ansher  
*Assistant Examiner*—Terry Pfeffer  
*Attorney, Agent, or Firm*—Terry M. Gernstein

[57] **CLAIM**

The ornamental design for a portable auto table, as shown and described.

**DESCRIPTION**

FIG. 1 is an isometric view of a portable auto table showing my new design;  
FIG. 2 is a left side elevational view thereof;  
FIG. 3 is a top plan view thereof;  
FIG. 4 is a rear elevational view thereof; and,  
FIG. 5 is an isometric view thereof in a closed position.



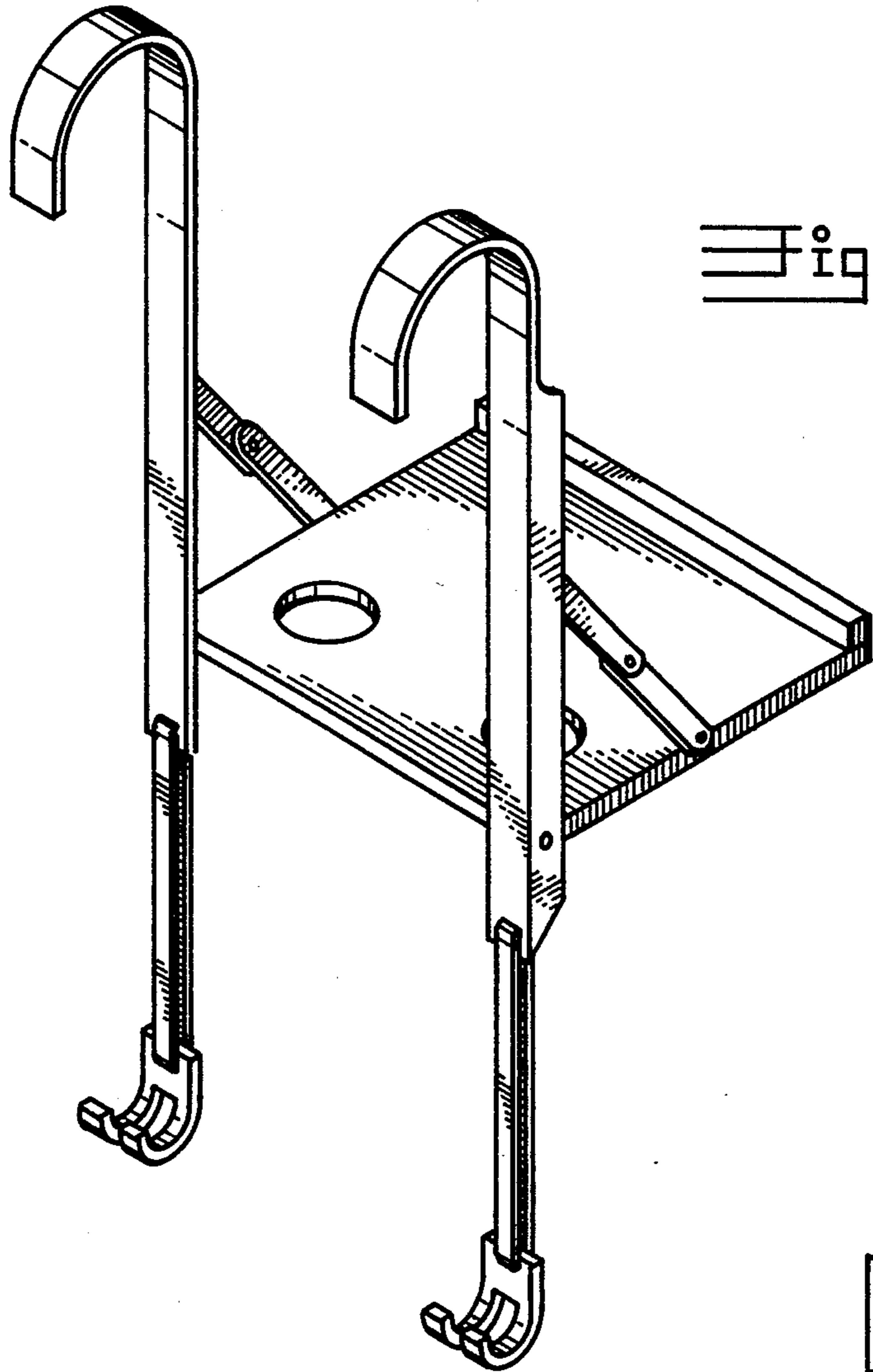


Fig. 1

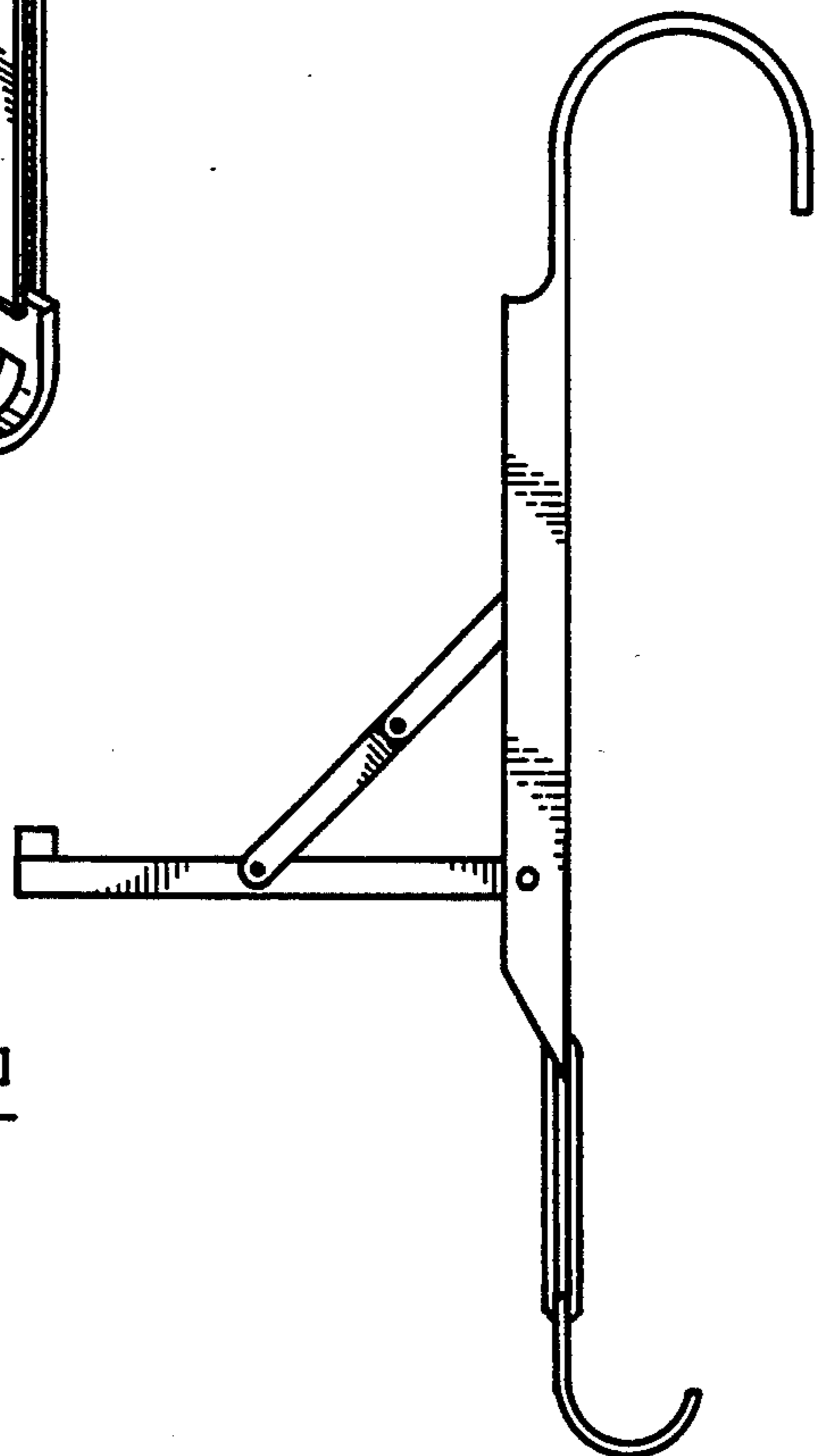


Fig. 2

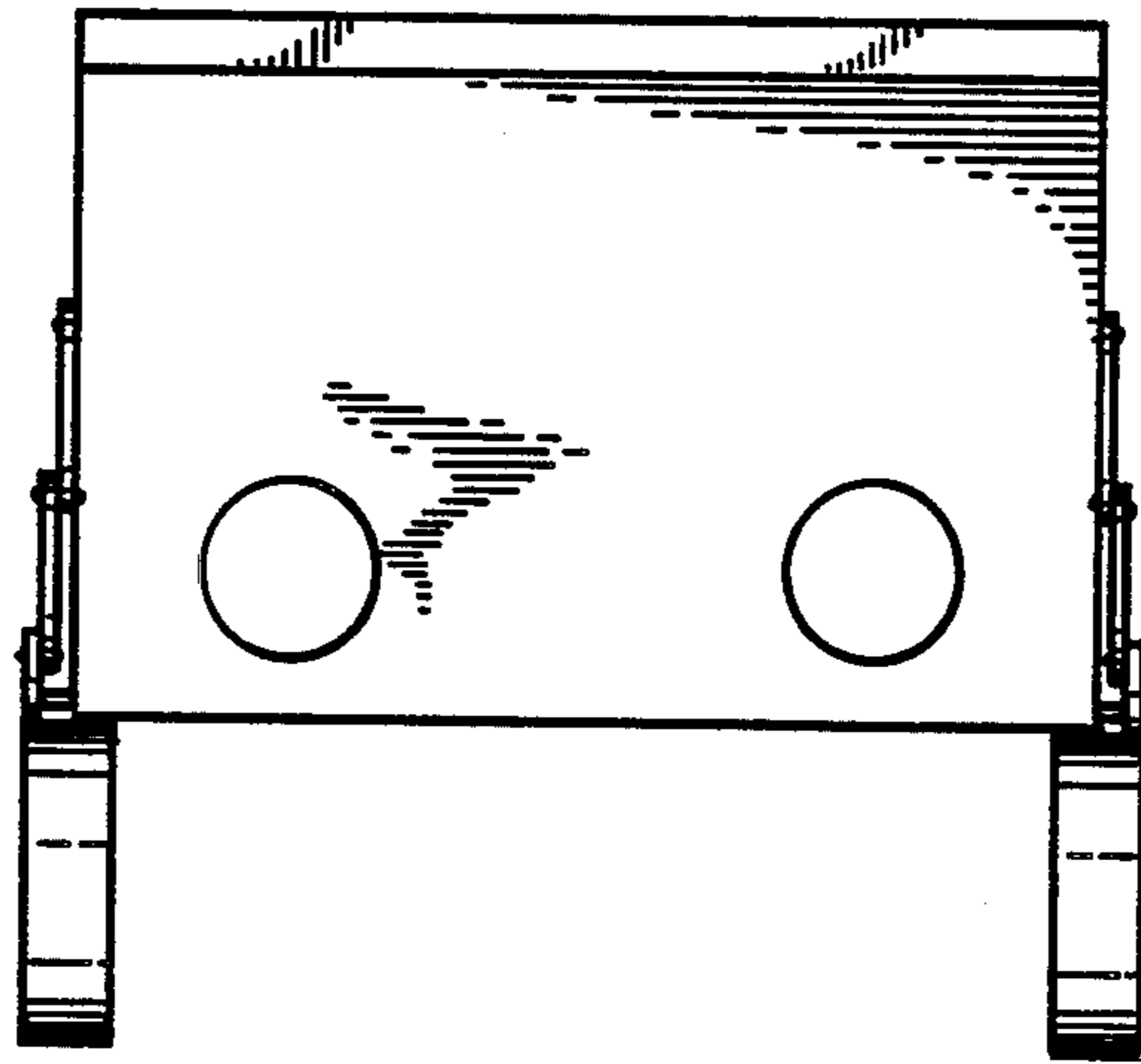


Fig. 3

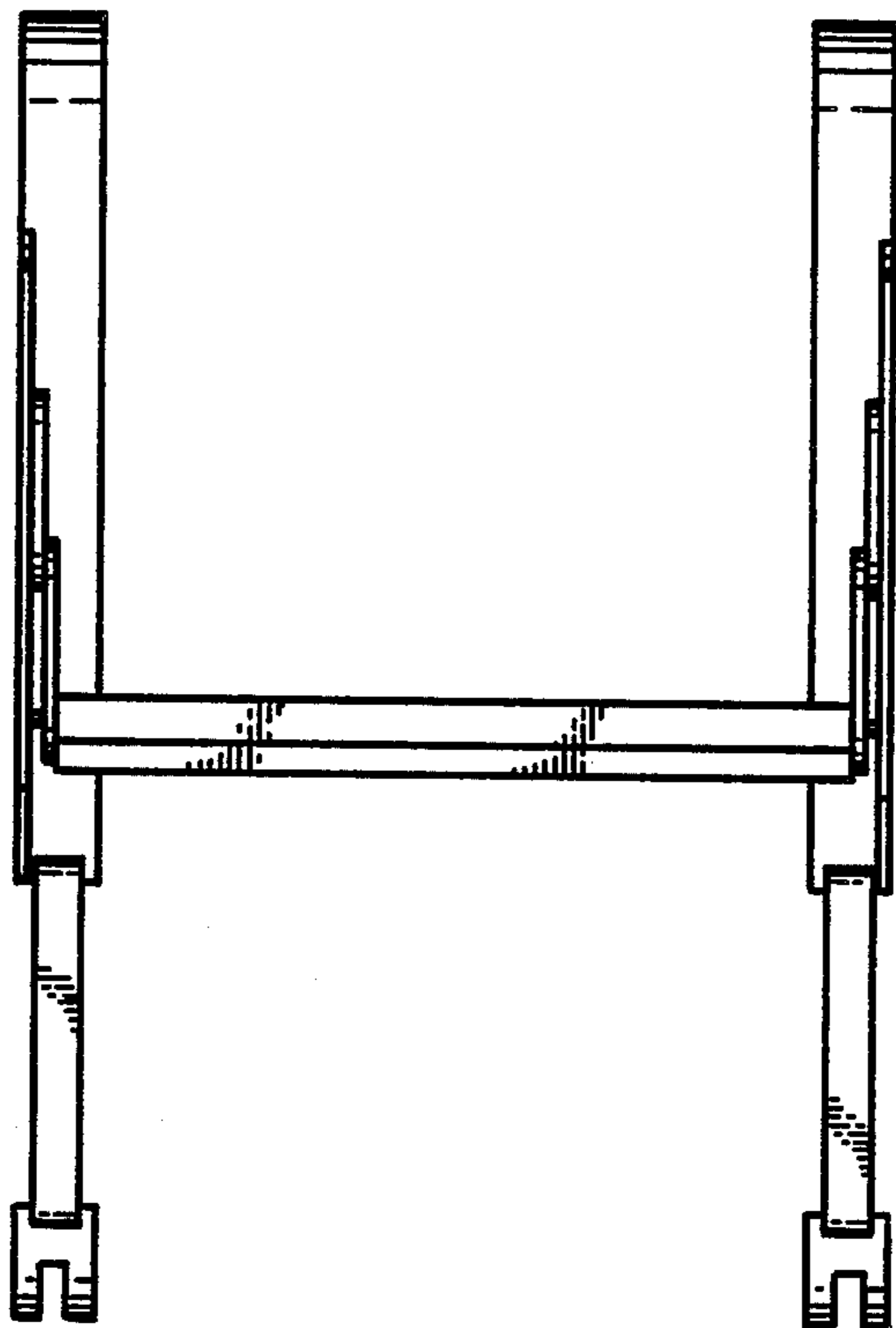


Fig. 4

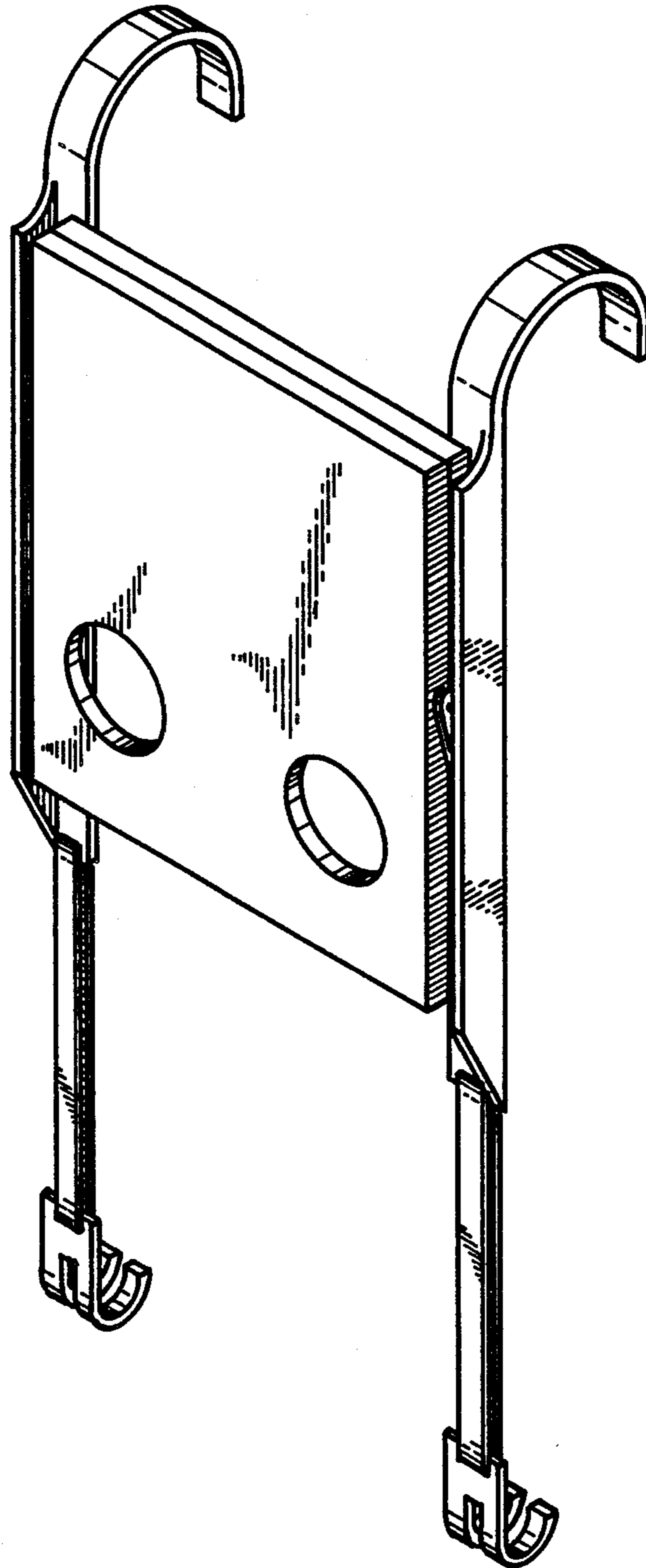


Fig. 5