

[54] SUPPORTING AND STABILIZING STAND FOR A BOAT

[75] Inventor: Reg D. Corbett, Bay Village, Ohio

[73] Assignee: Rolec, Inc., Westlake, Ohio

[**] Term: 14 Years

[21] Appl. No.: 894,130

[22] Filed: Aug. 7, 1986

[52] U.S. Cl. D34/31; D12/106

[58] Field of Search D34/28, 31, 32; 248/351, 352, 357, 354.5; 254/DIG. 1, 11, 45, 133 R; D12/106, 120; D25/67, 68

[56] References Cited

U.S. PATENT DOCUMENTS

- D. 215,746 10/1969 Hunnicutt D34/31
- D. 230,839 3/1974 Lemley D34/31
- D. 242,613 12/1976 Prather D34/31
- D. 252,324 7/1979 John D34/31
- 1,794,052 2/1931 Anderson et al. D34/31
- 4,245,808 1/1981 John 248/352

4,690,361 9/1987 Lundman D34/31

FOREIGN PATENT DOCUMENTS

2089763 6/1982 United Kingdom 254/133 R

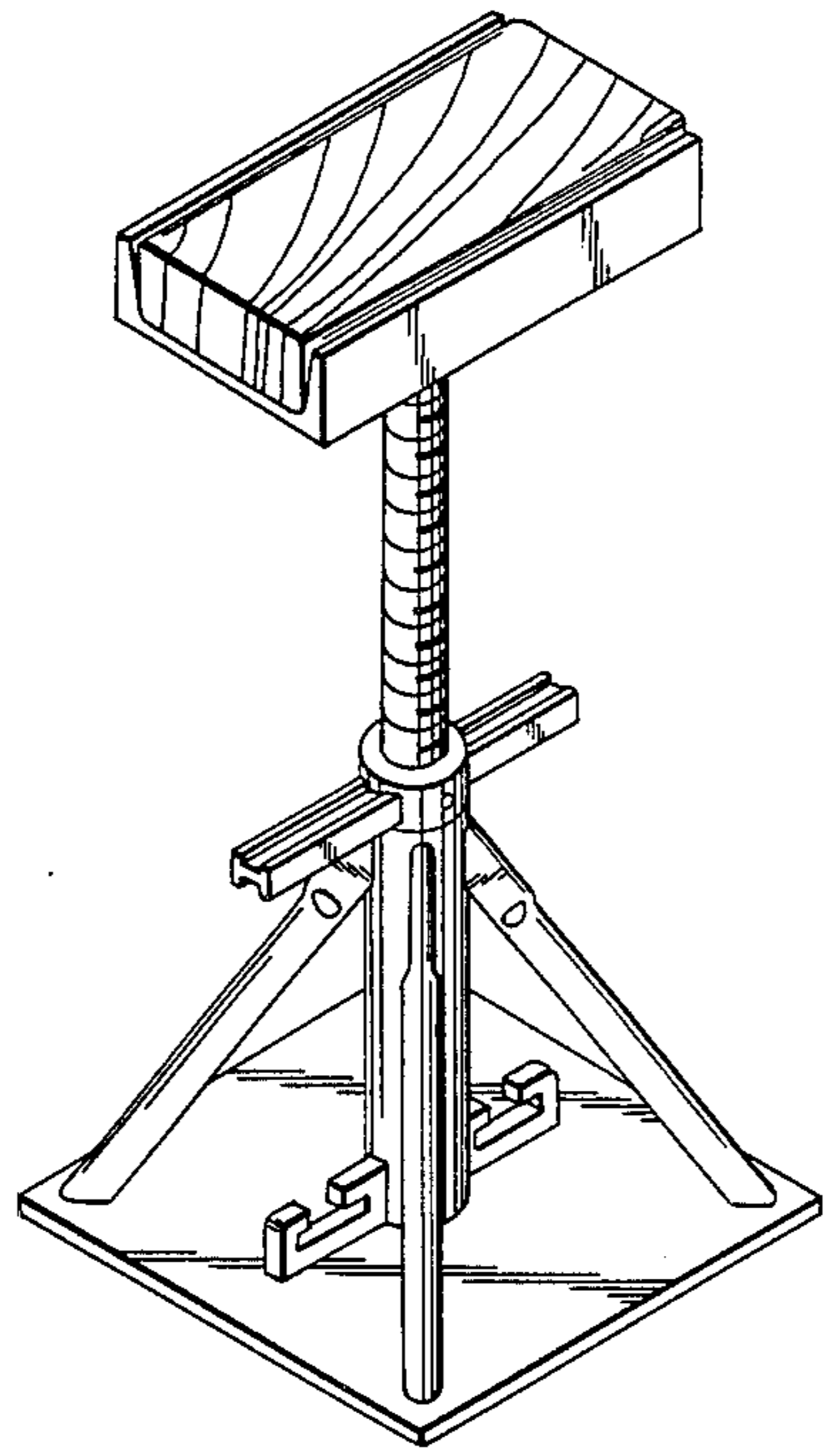
Primary Examiner—Wallace R. Burke
Assistant Examiner—Kay H. Chin
Attorney, Agent, or Firm—J. Helen Slough

[57] CLAIM

The ornamental design for supporting and stabilizing stand for a boat, as shown and described.

DESCRIPTION

FIG. 1 is a perspective view of a supporting and stabilizing stand for a boat showing my new design; FIG. 2 is a top plan view of the base portion of the supporting and stabilizing stand for a boat, the top portion of the stand being removed for better illustration of center port and leg supports; FIG. 3 is a top plan view thereof; FIG. 4 is a bottom plan view thereof; FIG. 5 is a side elevational view thereof; and, FIG. 6 is a bottom plan view thereof.



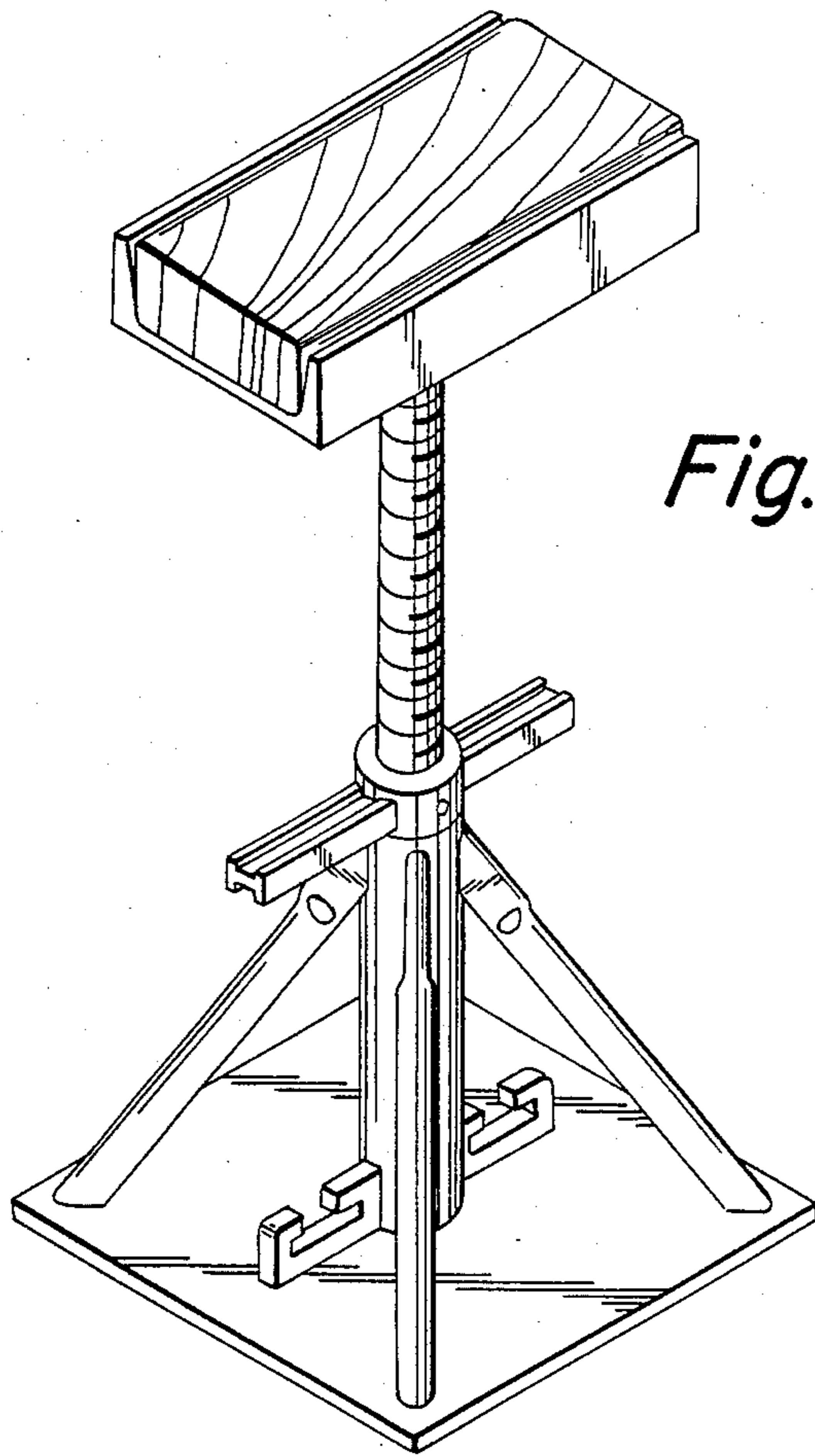


Fig. 1

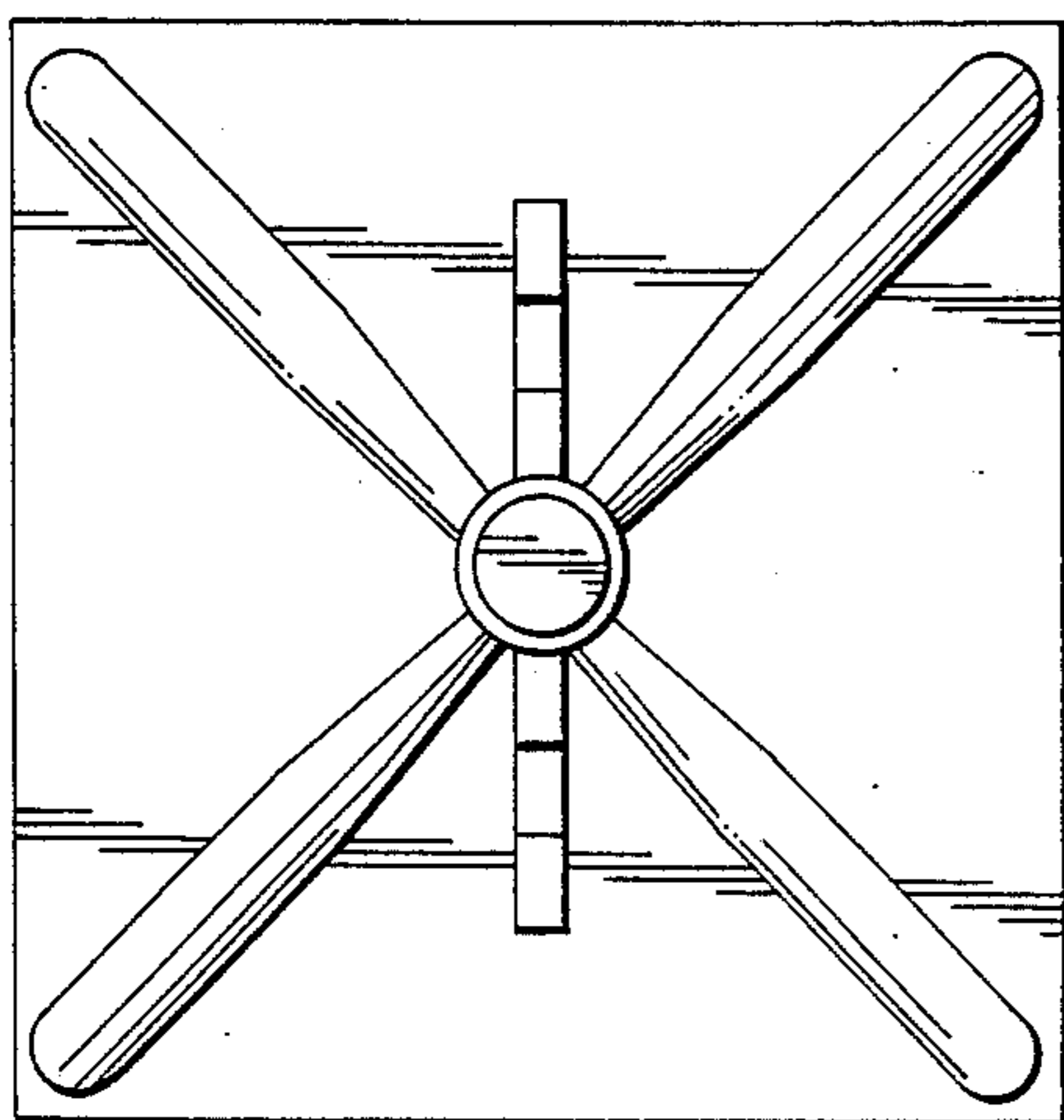


Fig. 2

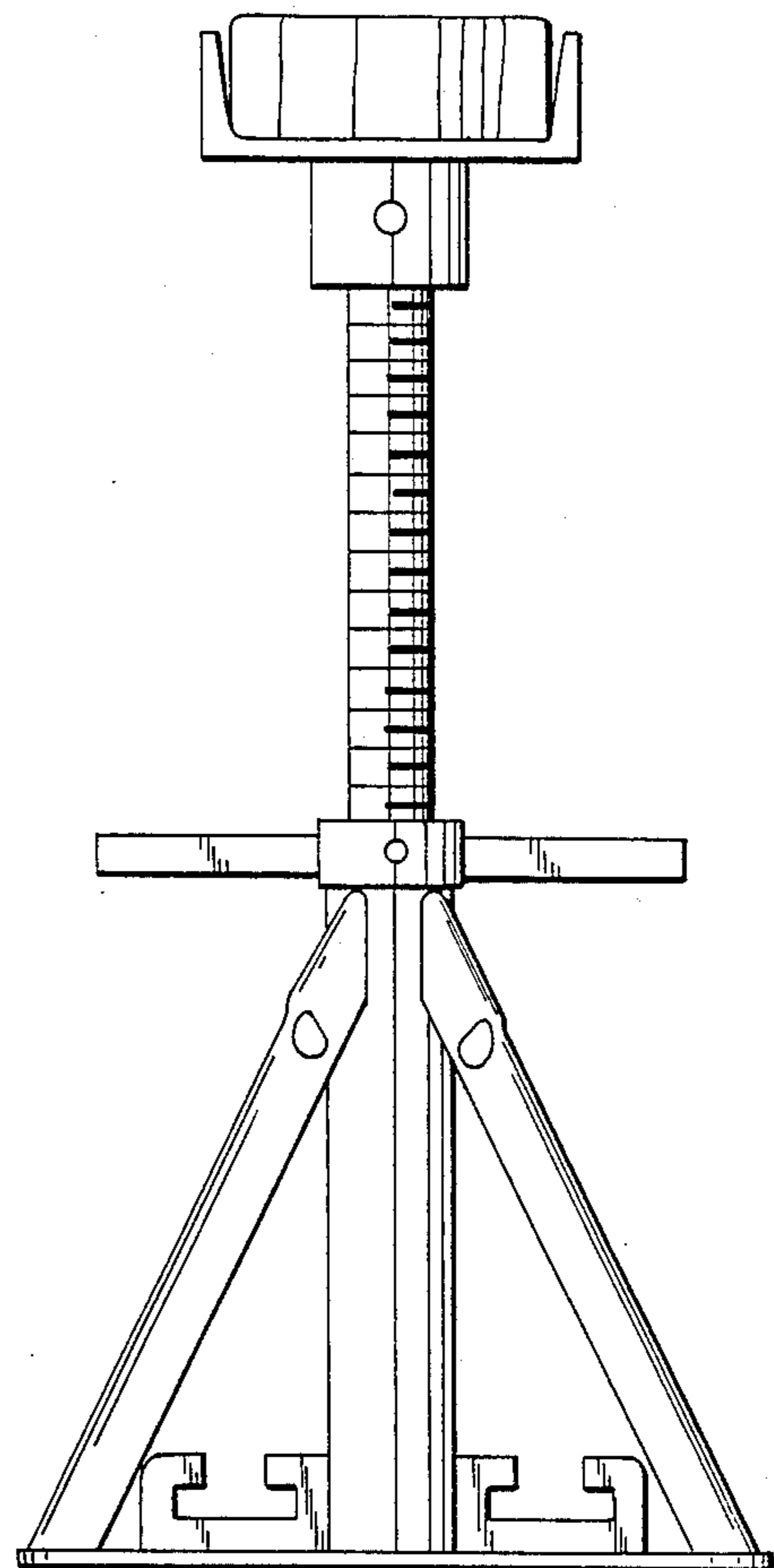


Fig. 4

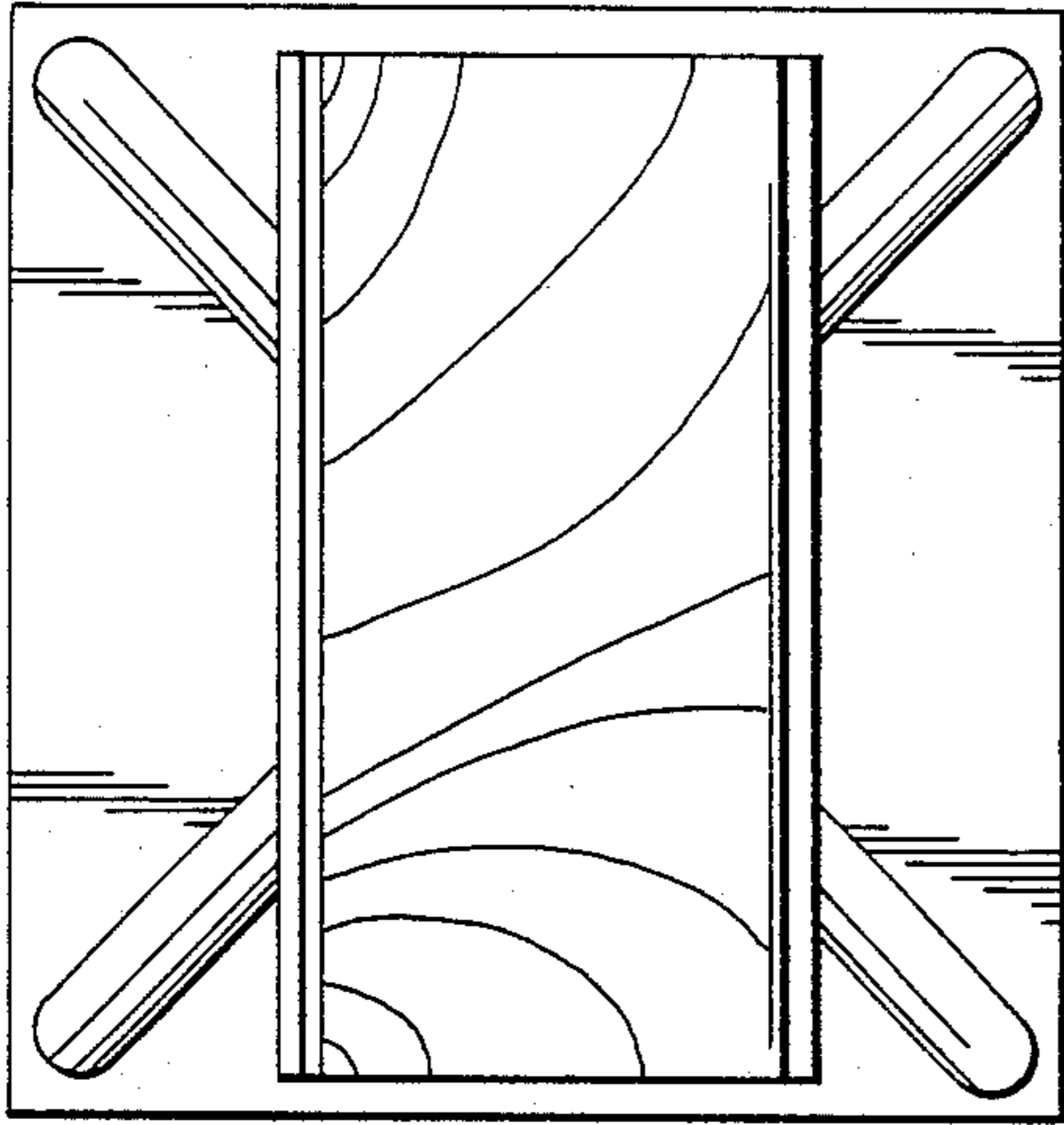


Fig. 3

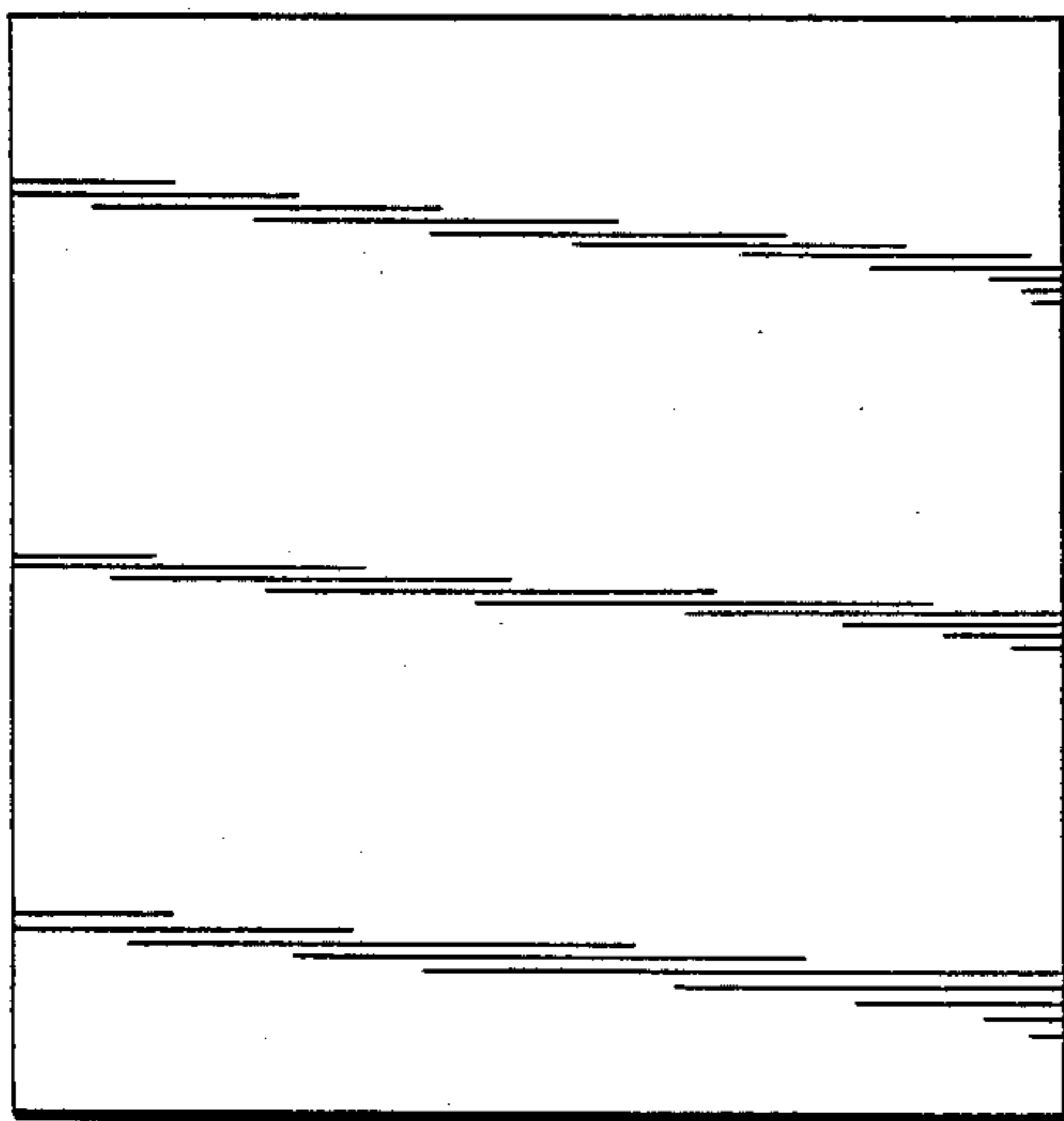


Fig. 6

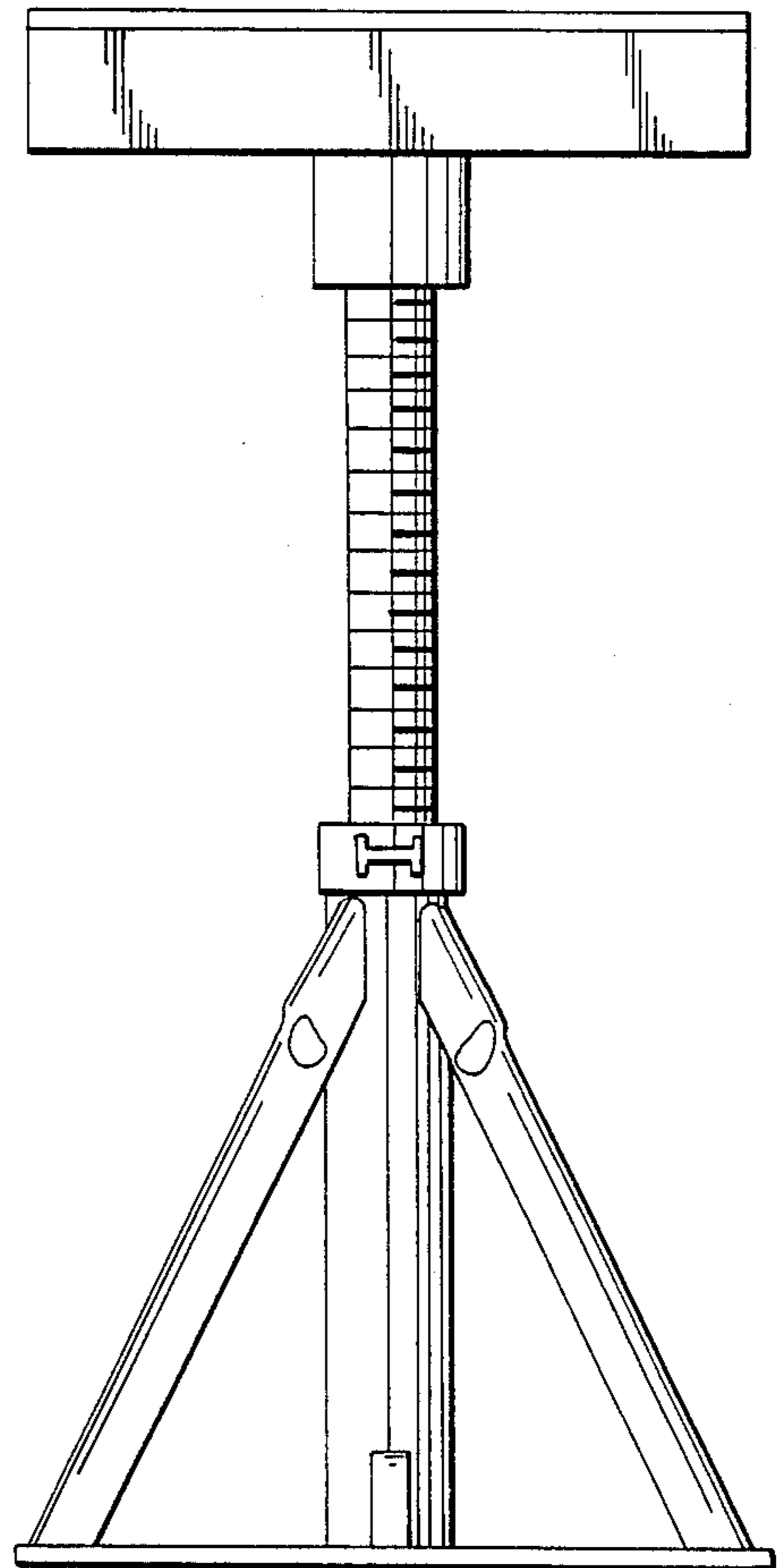


Fig. 5