

[54] STORAGE CART

[75] Inventor: Richard S. Dunchock, South Laguna, Calif.

[73] Assignee: SL Corporation, Troy, Mich.

[\*\*] Term: 14 Years

[21] Appl. No.: 852,928

[22] Filed: Apr. 16, 1986

[52] U.S. Cl. .... D34/17; D6/462

[58] Field of Search ..... D34/17, 23; D6/462; 280/79.1 A, 79.3; 248/176, 129; 211/13, 41

[56] References Cited

U.S. PATENT DOCUMENTS

D. 232,625	9/1974	Shiflet	.....	D12/25
D. 237,597	11/1975	Clarke	.....	D12/25
D. 265,517	7/1982	Dunchock	.....	D34/17
D. 273,255	4/1984	Marcus	.....	D6/462
D. 288,739	3/1987	Johnson, Jr. et al.	.....	D34/17
D. 295,337	4/1988	Bogart	.....	D34/17
402,340	4/1889	Martin	.....	280/79.3
1,441,264	1/1923	Bruewer	.....	206/335
2,377,023	5/1945	Milburn	.....	248/119
2,466,149	4/1949	Burg	.....	280/57
2,681,233	6/1954	Smith	.....	280/79.3
2,916,293	12/1959	Lang	.....	280/79.3
2,980,438	4/1961	Baer	.....	280/79.3
3,224,787	12/1965	Andersen	.....	280/33.99
3,540,753	11/1970	Hanson	.....	280/47.34
3,693,996	9/1972	Hardy	.....	280/47.34
3,746,358	7/1973	Swick, Jr.	.....	280/36 R

3,946,876	3/1976	Jay	.....	211/60 R
3,949,528	4/1976	Hartger	.....	52/79
3,953,047	4/1976	Morgan	.....	280/639
4,085,844	4/1978	Dunchock	.....	206/335
4,326,726	4/1982	Dunchock	.....	280/79.1 A
4,630,838	12/1986	Stockton	.....	280/79.1 A

FOREIGN PATENT DOCUMENTS

96505	7/1963	Denmark	.....	280/79.3
-------	--------	---------	-------	----------

OTHER PUBLICATIONS

*The Star*, (Mercedes-Benz Club of America), May/Jun. 1979, back page.

*The Star*, (Mercedes-Benz Club of America), Sep./Oct. 1978, p. 23.

*Primary Examiner*—Wallace R. Burke

*Assistant Examiner*—Kay H. Chin

*Attorney, Agent, or Firm*—Basile and Hanlon

[57] CLAIM

The ornamental design for a storage cart, as shown and described.

DESCRIPTION

FIG. 1 is a perspective view of a storage cart showing my new design;

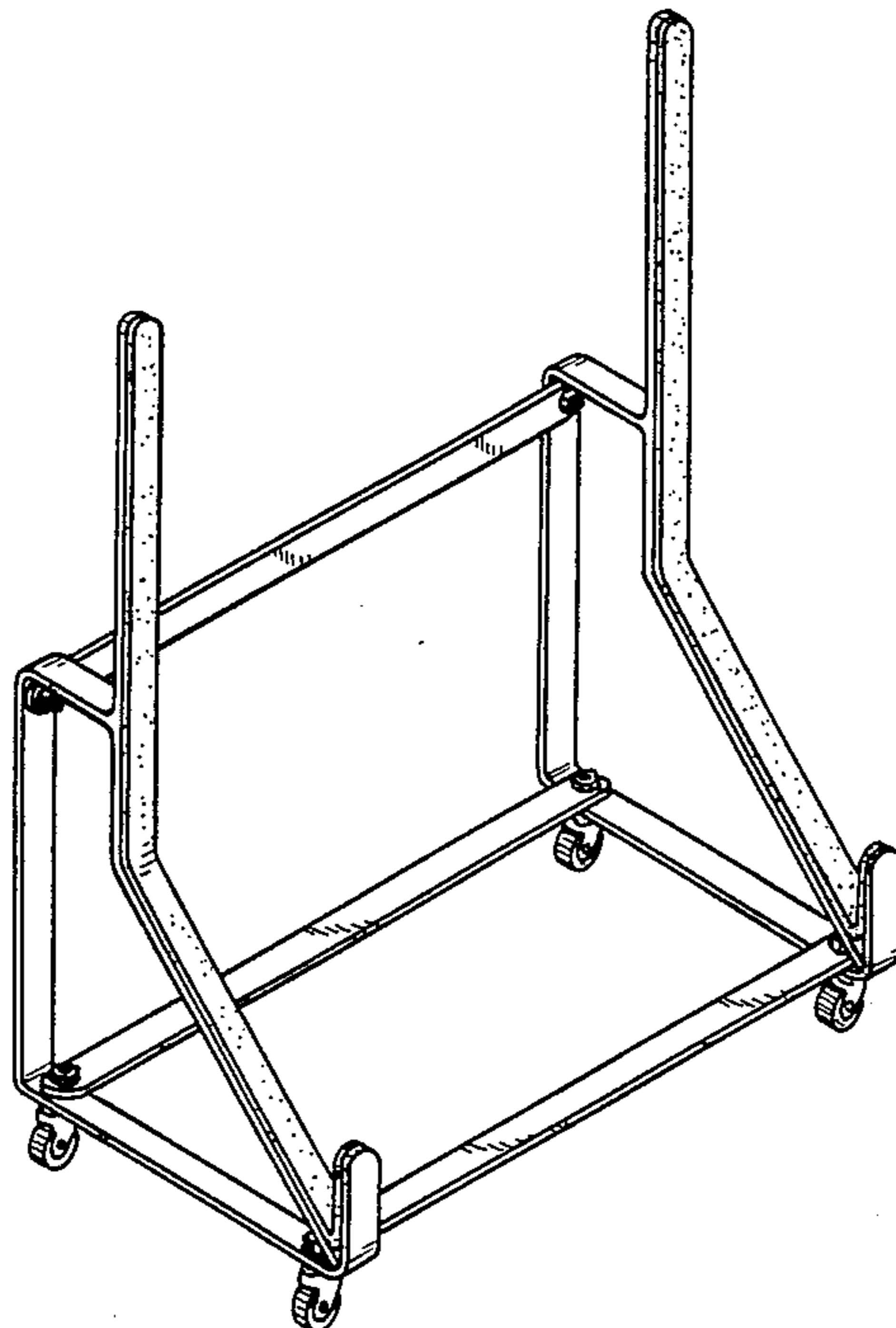
FIG. 2 is a front elevational view thereof;

FIG. 3 is a rear elevational view thereof;

FIG. 4 is a right side elevational view which is an identical mirror image of the left side elevational view;

FIG. 5 is a top plan view thereof; and

FIG. 6 is a bottom plan view thereof.



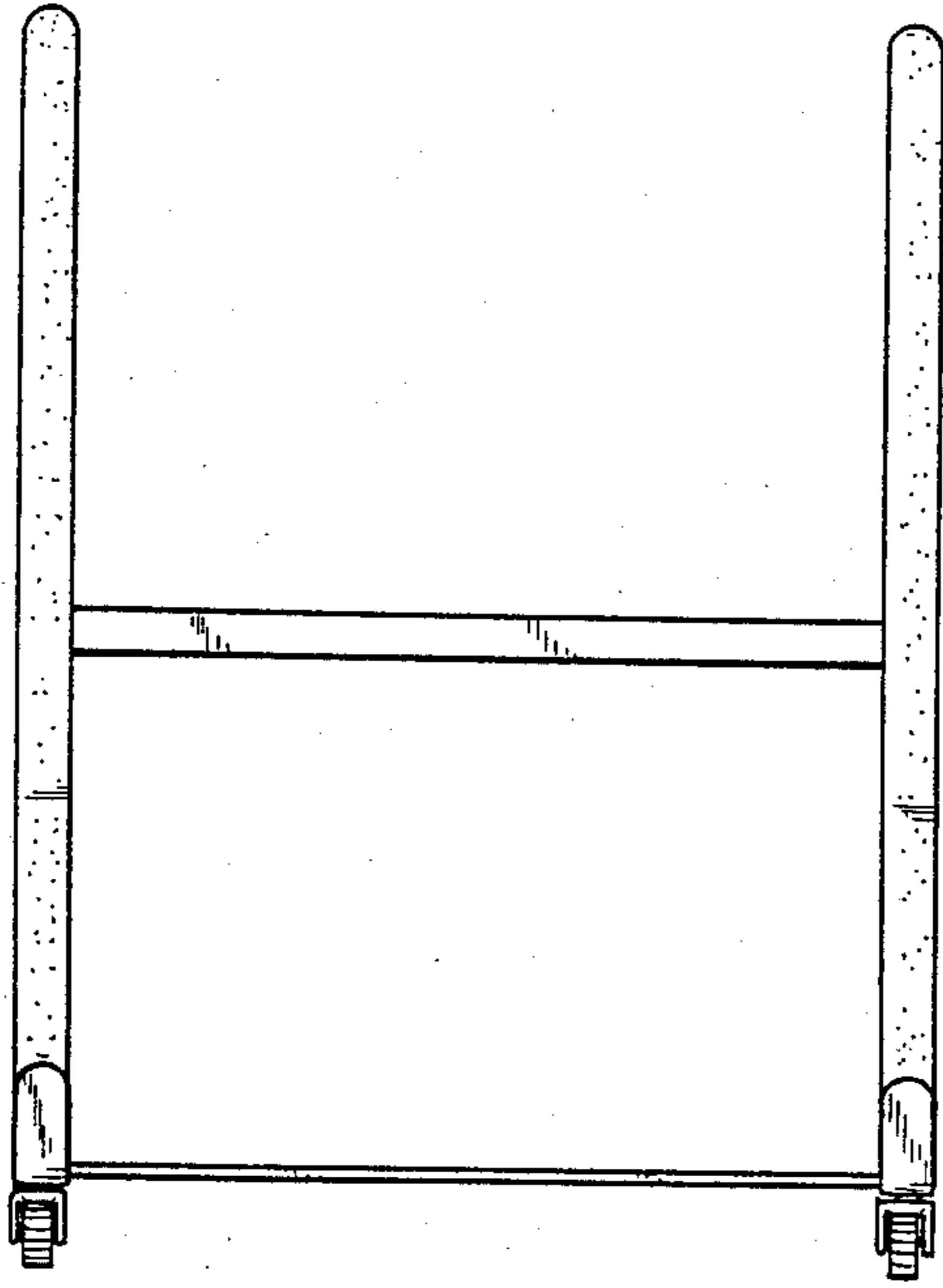


FIG - 2

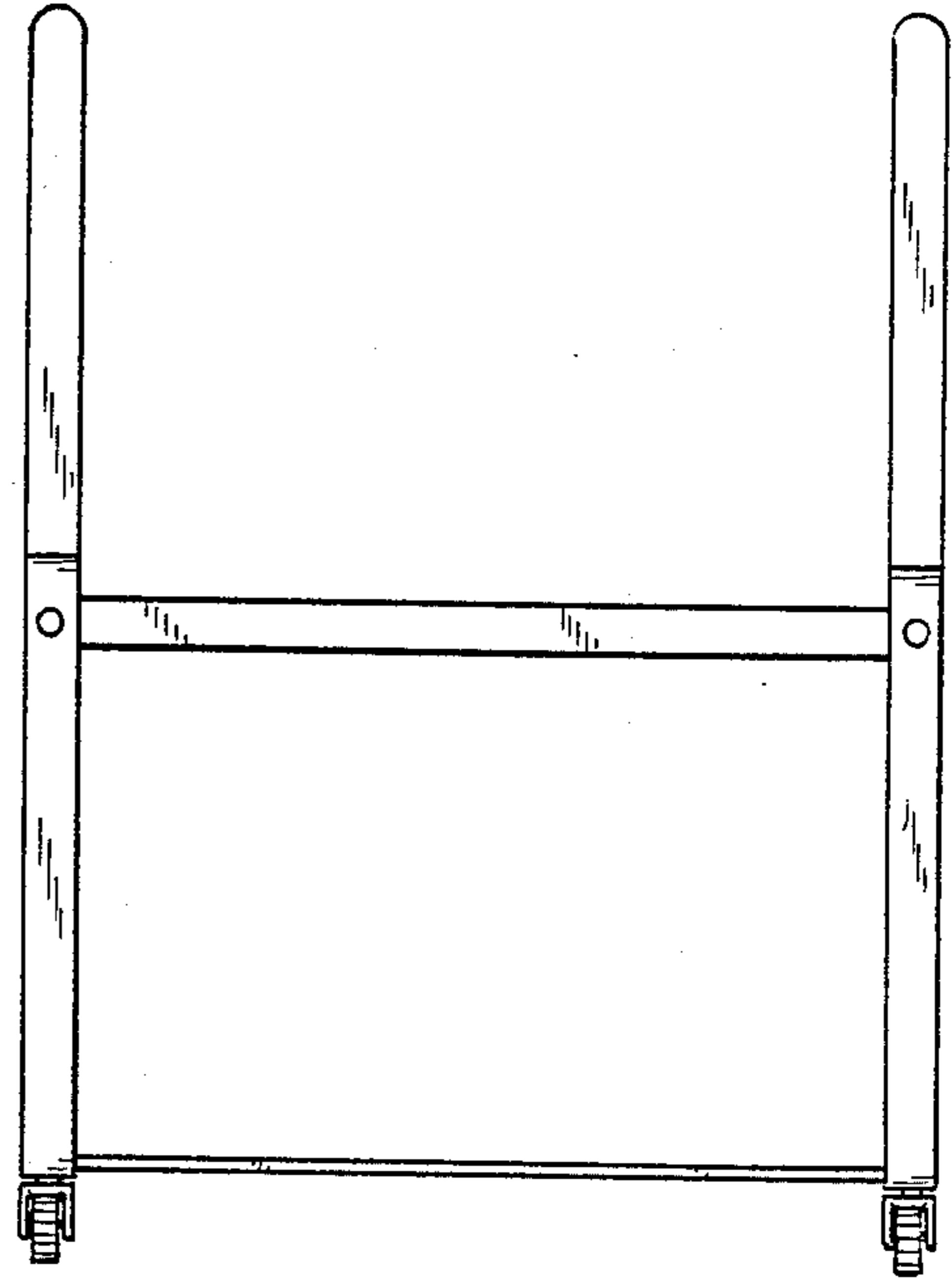


FIG - 3

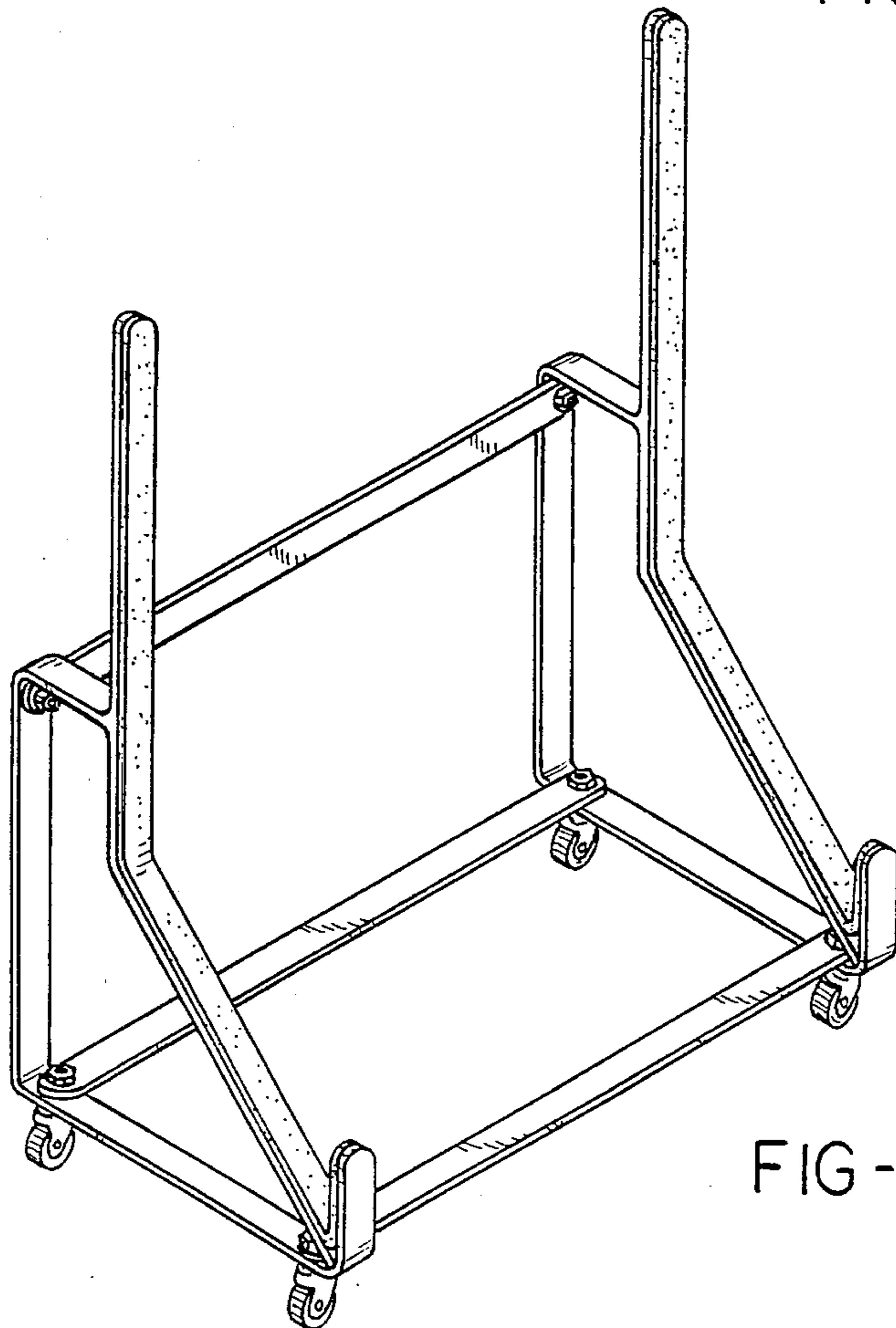


FIG - 1

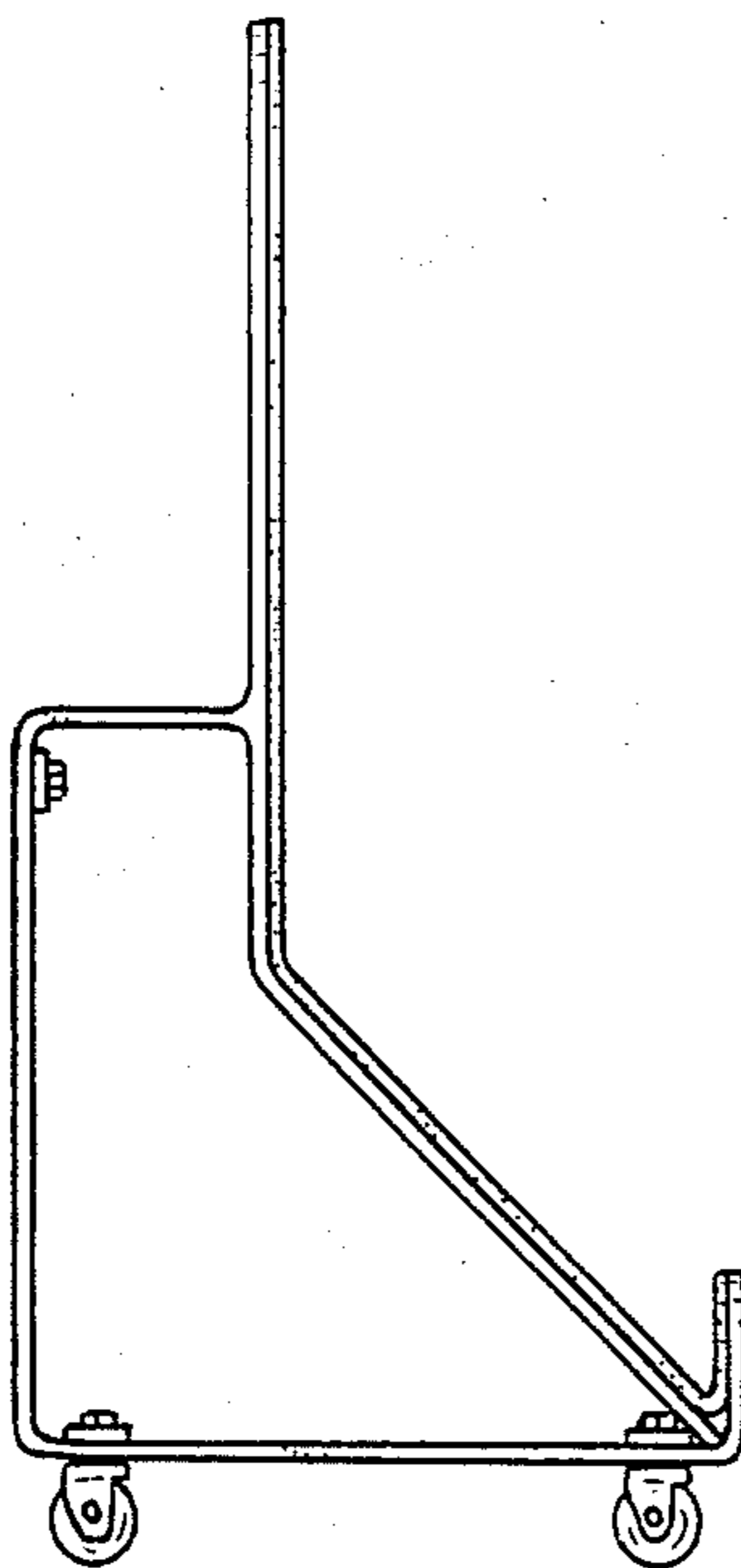


FIG-4

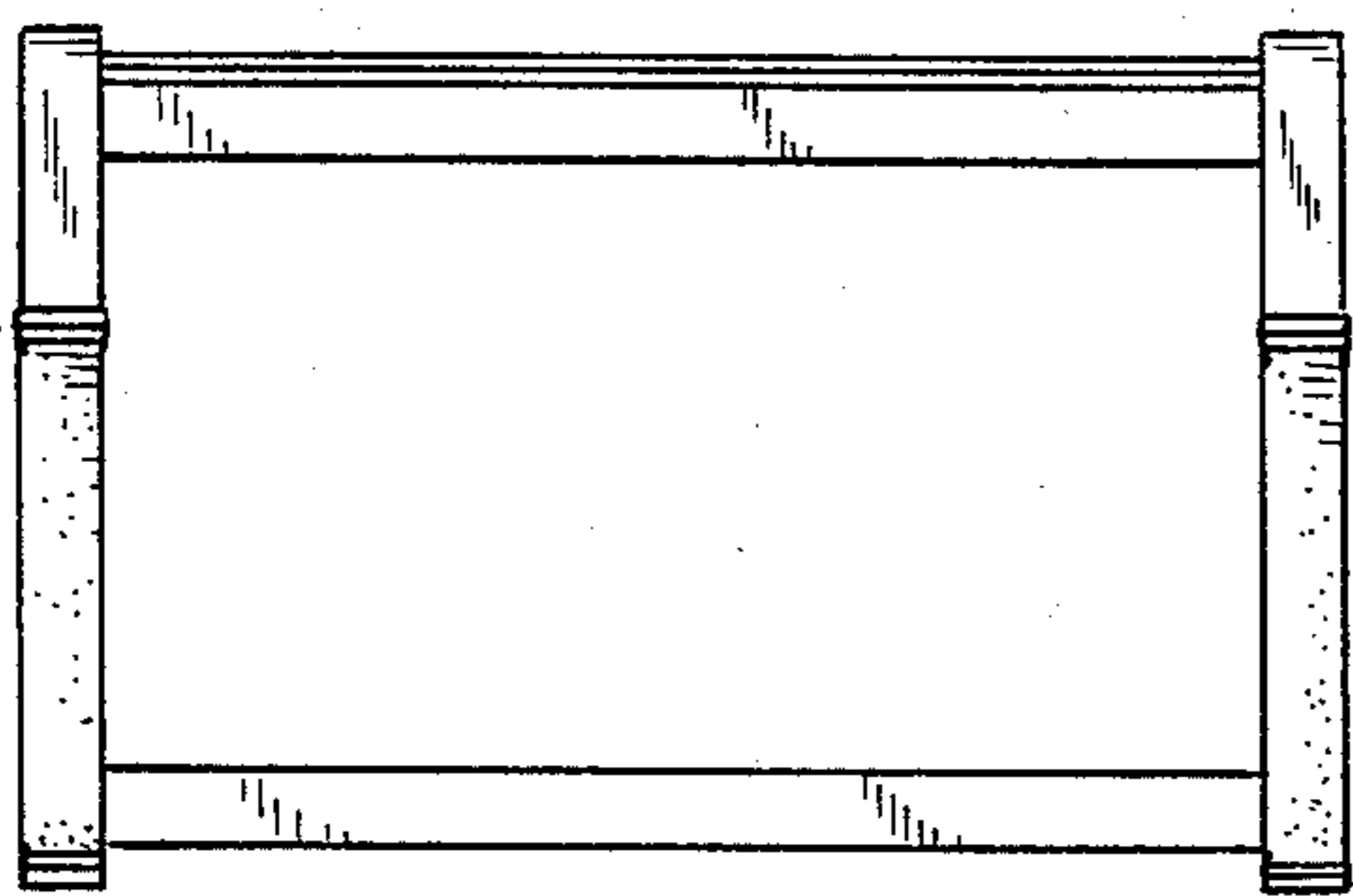


FIG-5

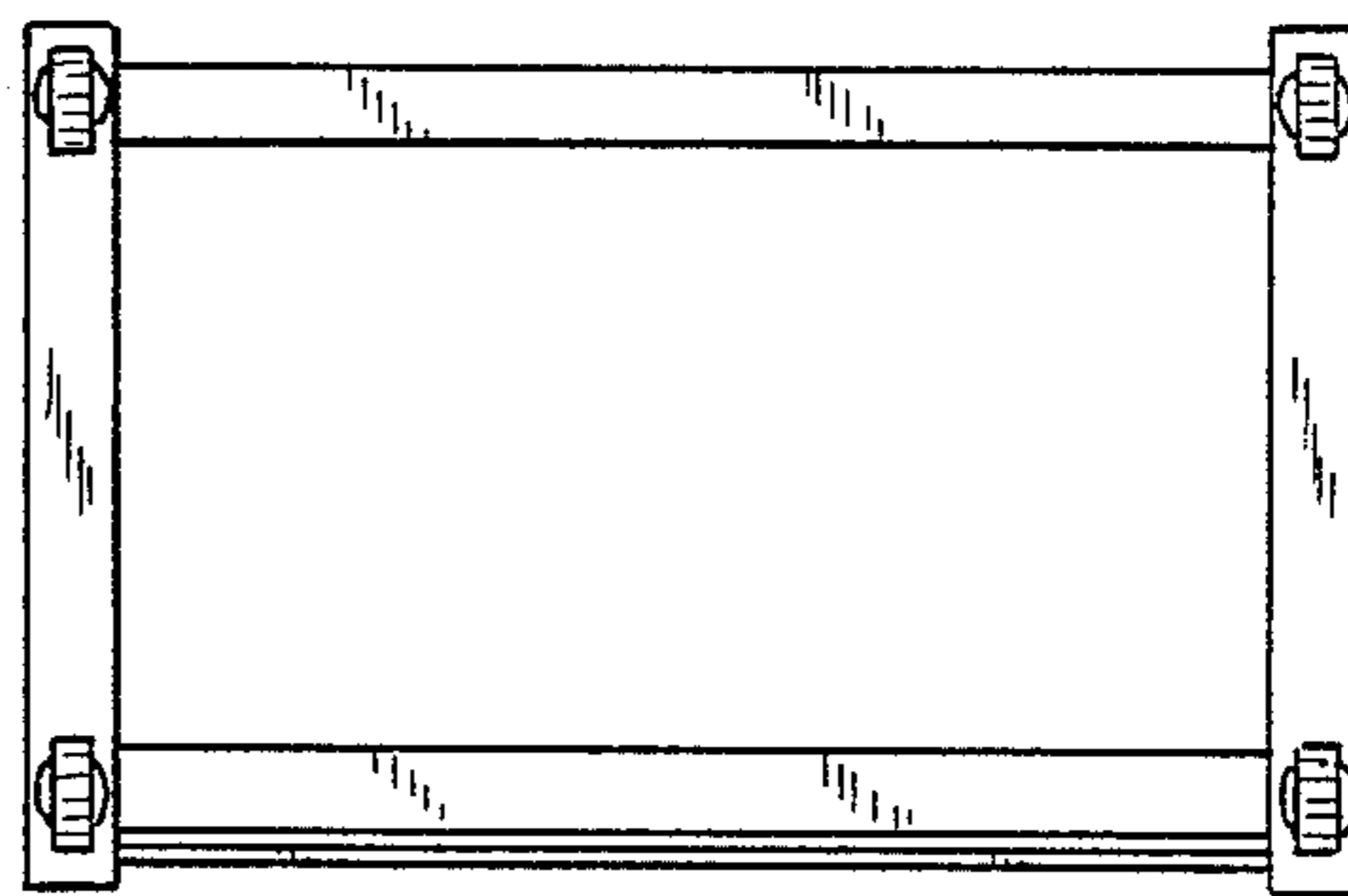


FIG-6