

[54] ELECTRIC IRON

[75] Inventor: Robert Osit, Shelton, Conn.

[73] Assignee: Black & Decker, Inc., Newark, Del.

[\*\*] Term: 14 Years

[21] Appl. No.: 906,782

[22] Filed: Sep. 15, 1986

[52] U.S. Cl. .... D32/70

[58] Field of Search ..... D32/68-73;  
38/69, 74, 88; 219/245, 254, 271, 273, 275

[56] References Cited

U.S. PATENT DOCUMENTS

- D. 269,213 5/1983 Martin ..... D32/70
- D. 283,933 5/1986 Dobson et al. .... D32/68
- D. 284,800 7/1986 Cavalli ..... D32/70
- D. 285,133 8/1986 Bluestein ..... D32/70

- D. 286,215 10/1986 Pataki ..... D32/70
- D. 286,376 8/1986 Stutzer et al. .... D32/70
- D. 290,891 7/1987 Stutzer et al. .... D32/70
- D. 294,991 3/1988 Johnson et al. .... D32/70

Primary Examiner—Wallace R. Burke  
Assistant Examiner—Brian N. Vinson  
Attorney, Agent, or Firm—Paul J. Lerner

[57] CLAIM

The ornamental design for an electric iron, as shown.

DESCRIPTION

FIG. 1 is a top and front perspective view of an electric iron showing my new design;  
FIG. 2 is a top plan view thereof;  
FIG. 3 is a side elevational view thereof;  
FIG. 4 is an opposite side view thereof;  
FIG. 5 is a front elevational view thereof; and  
FIG. 6 is a rear elevational view thereof.

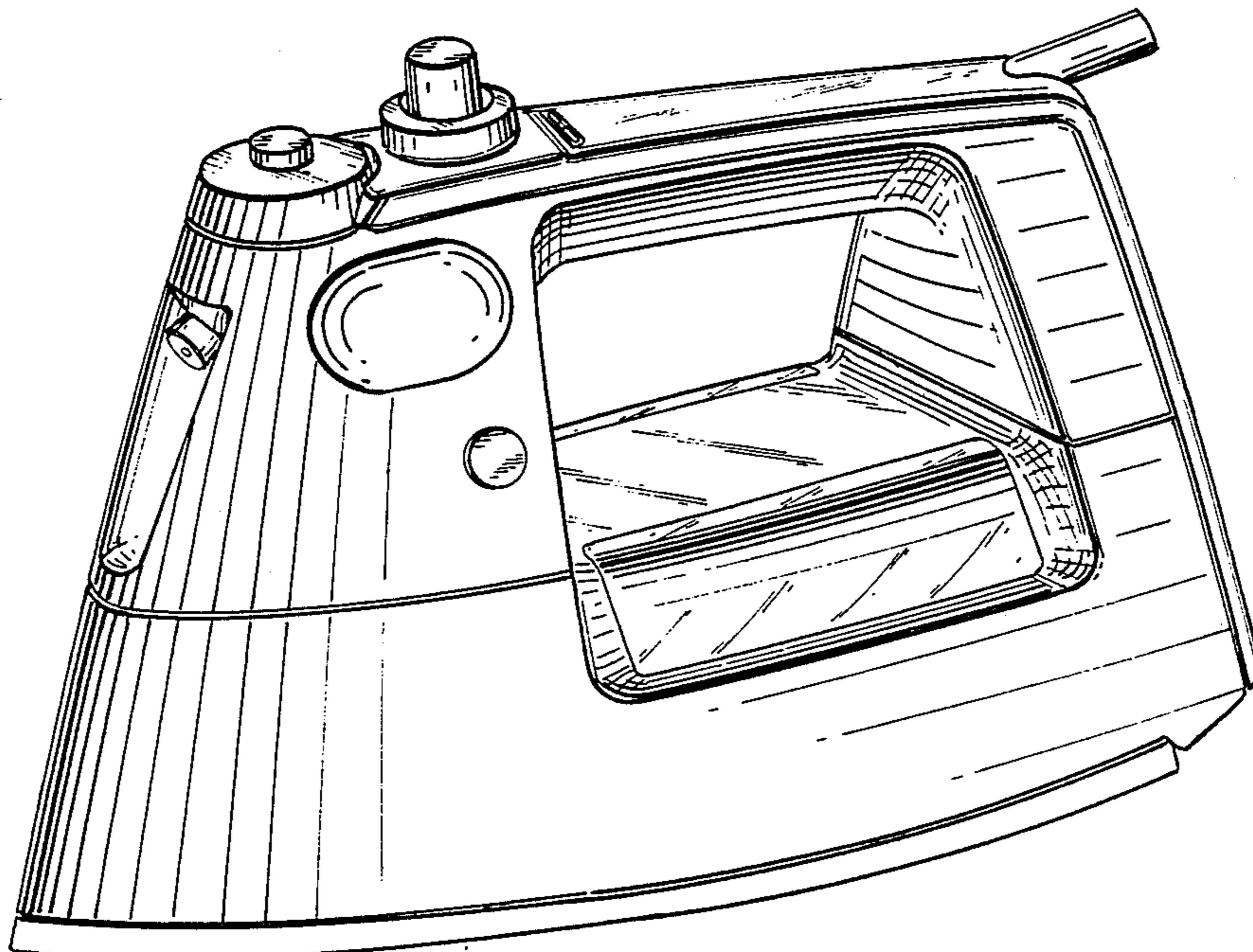


FIG. 1

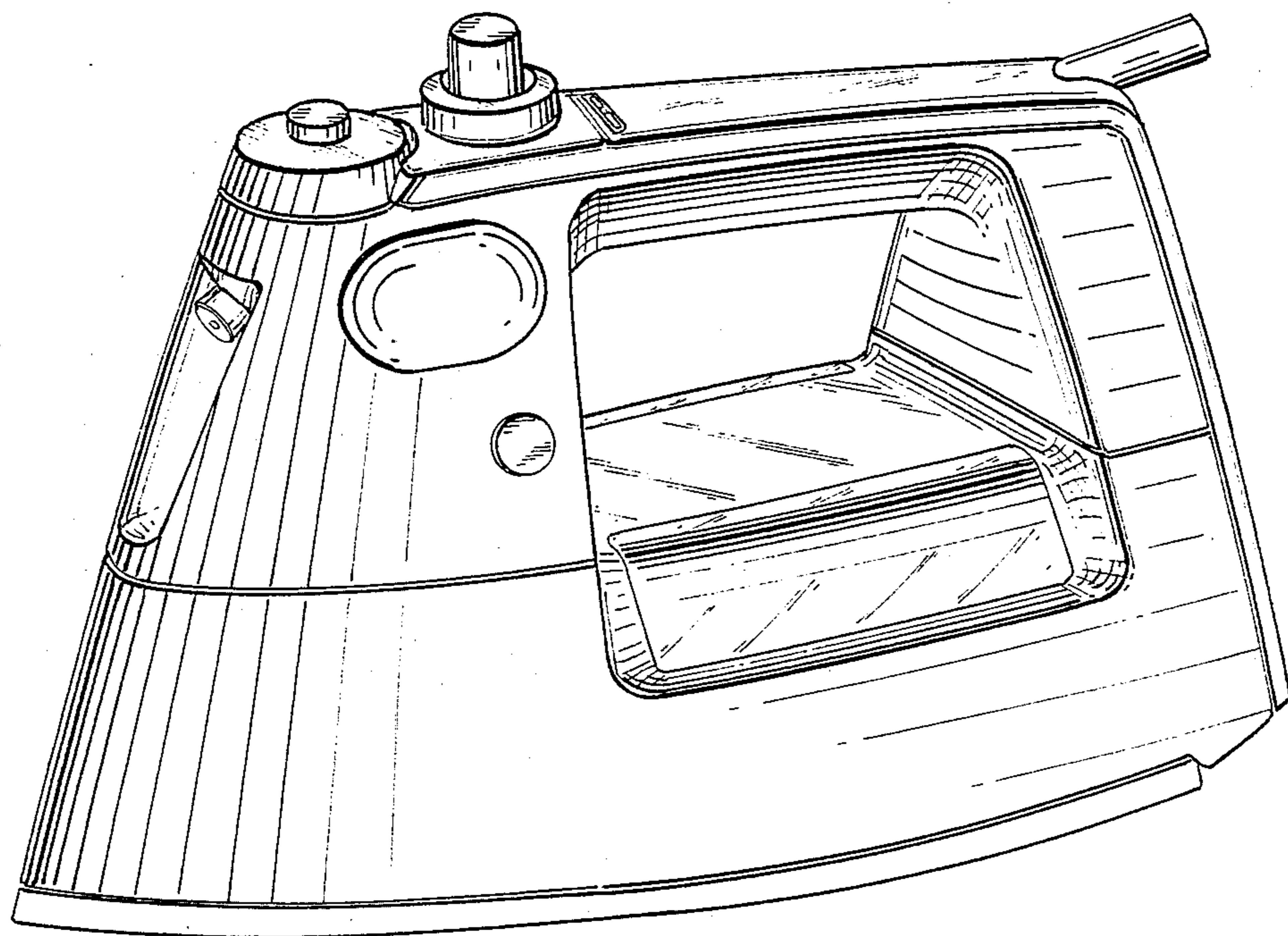


FIG. 2

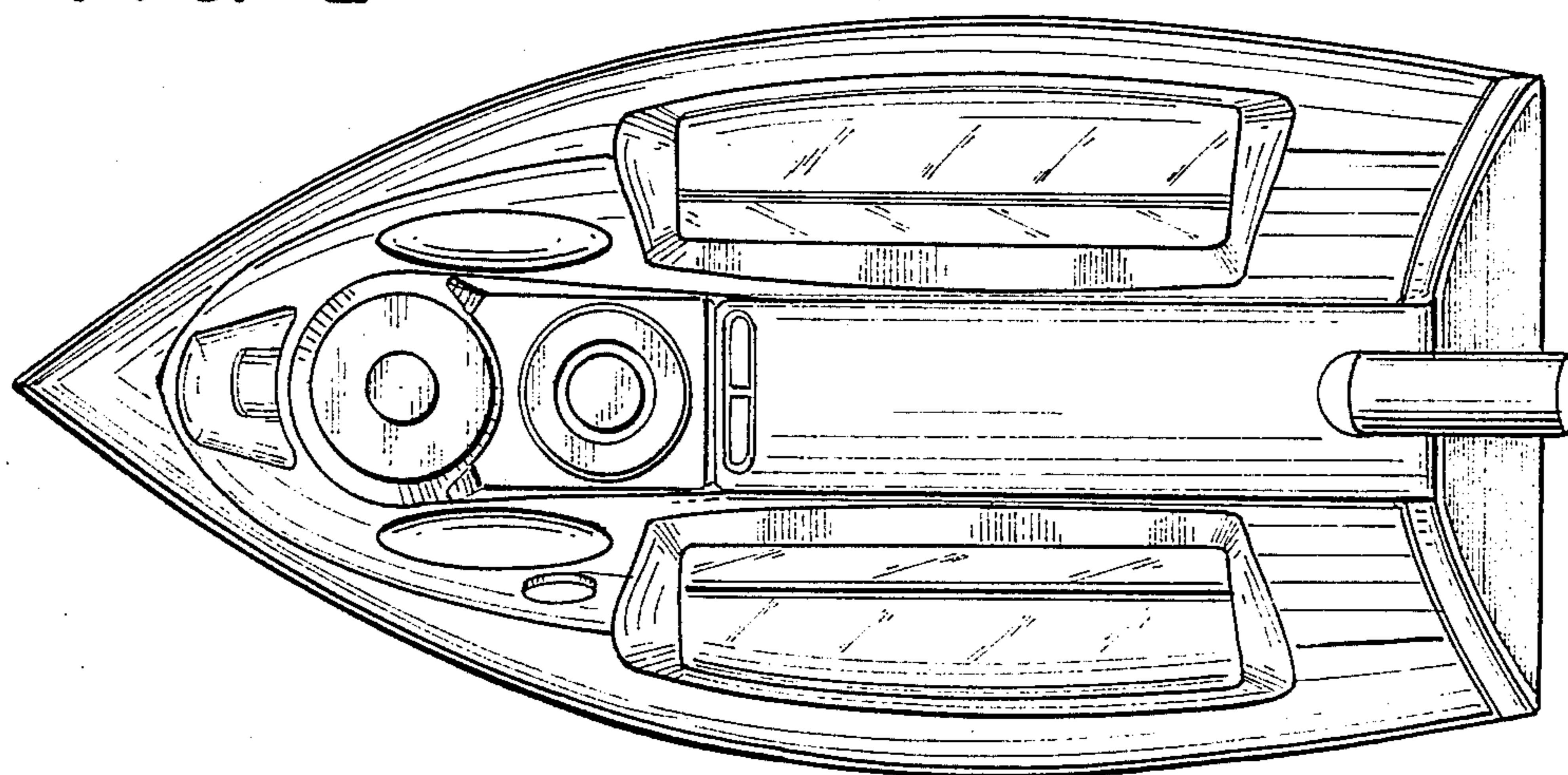


FIG. 3

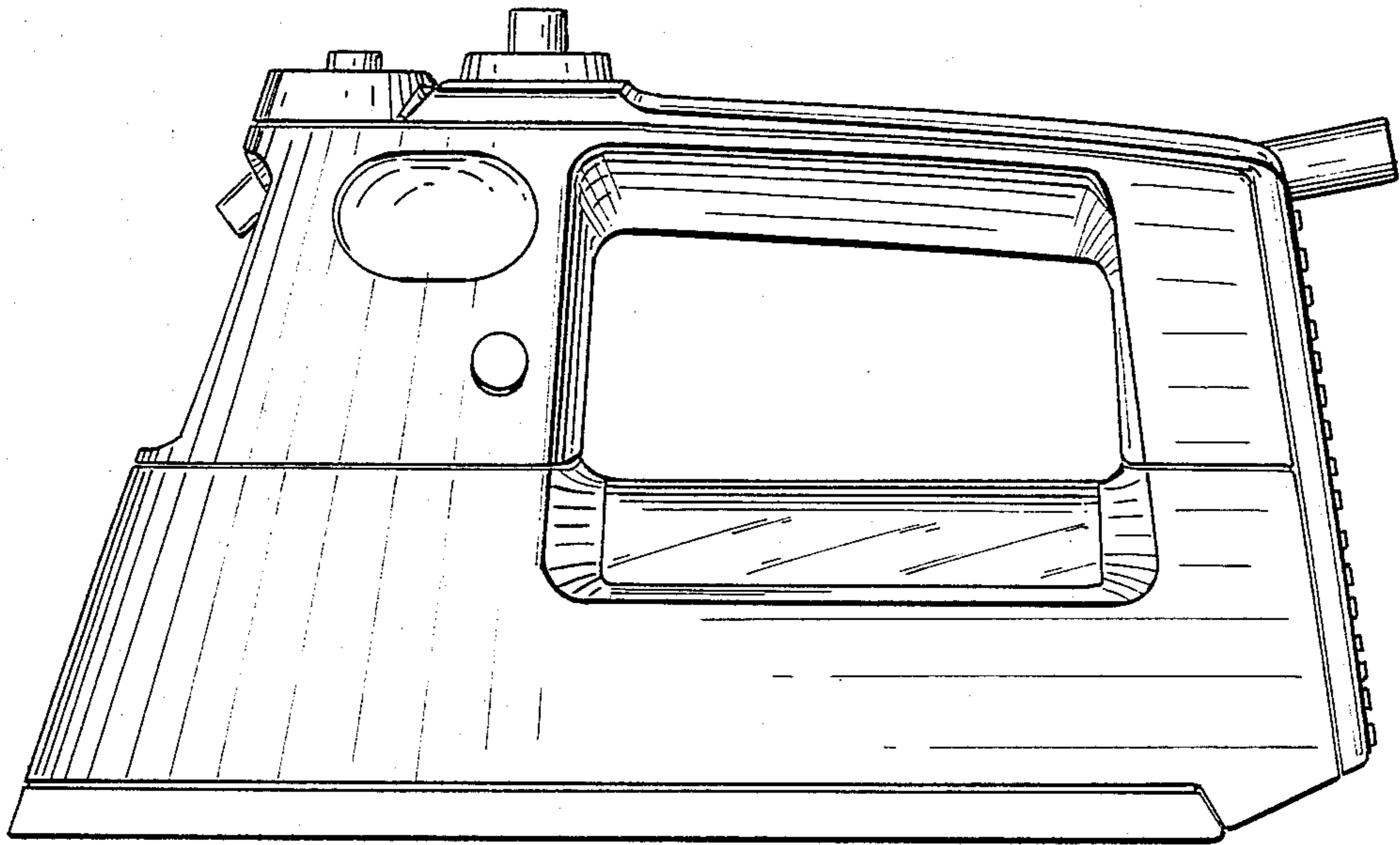
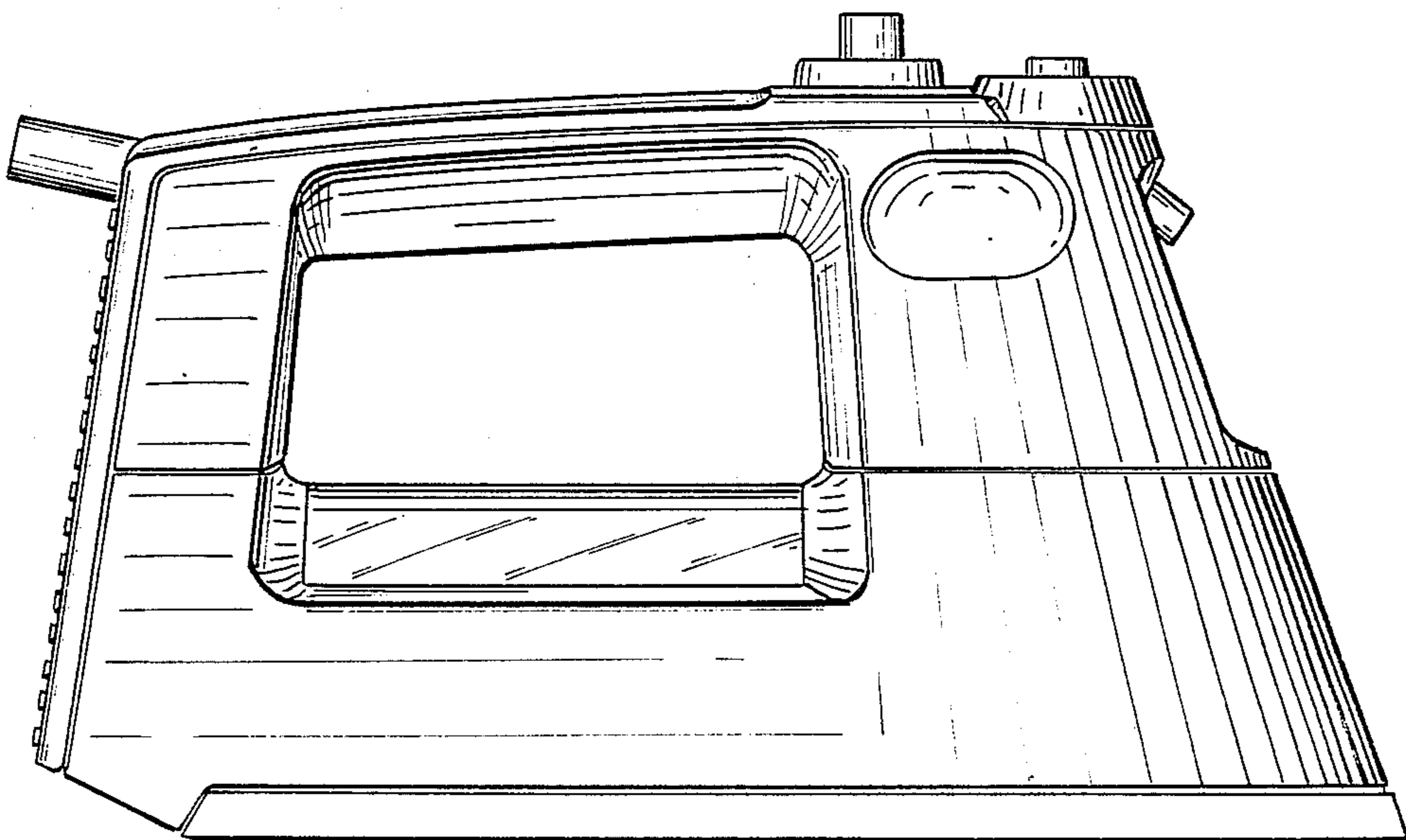


FIG. 4



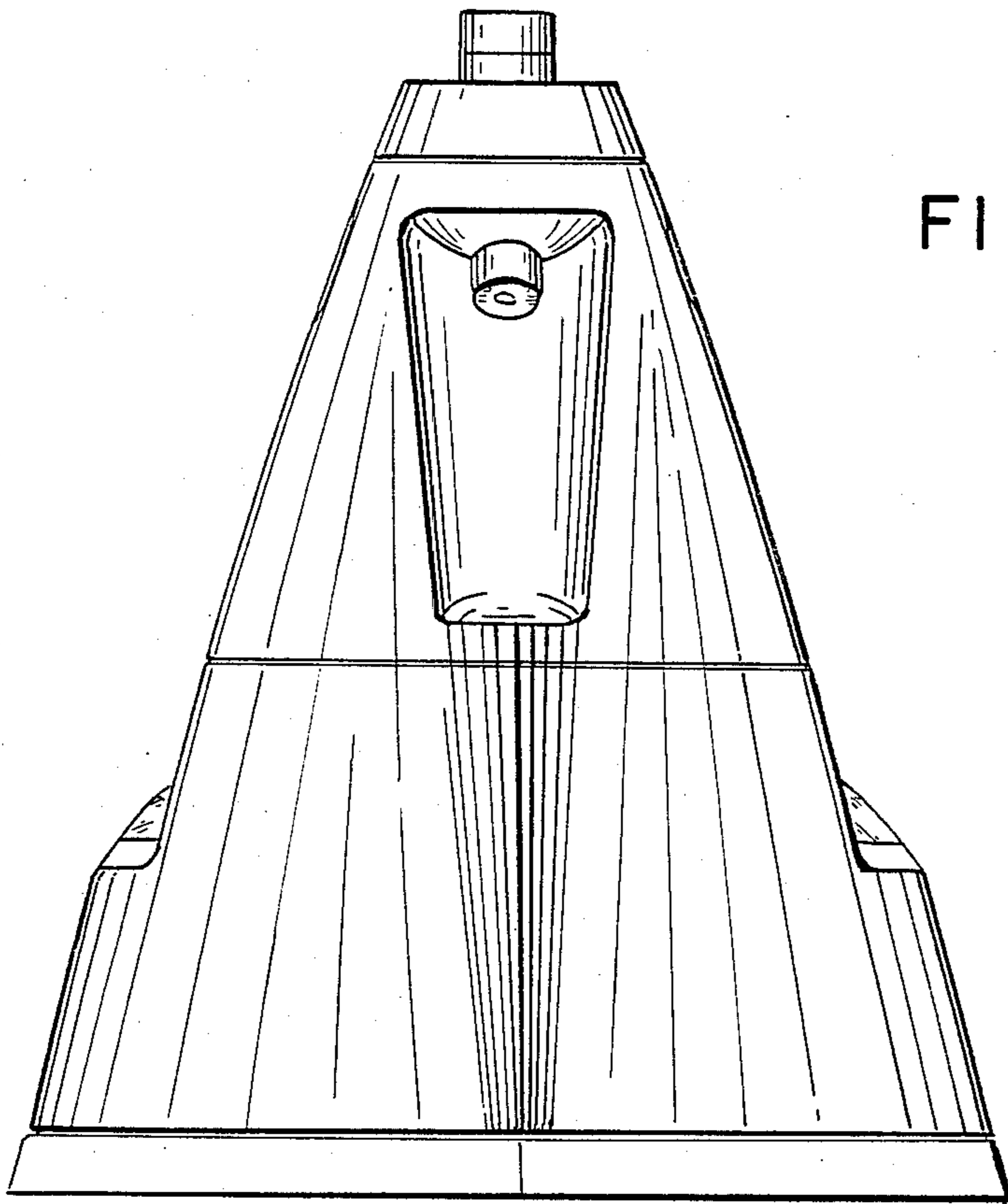


FIG. 5

FIG. 6

