

[54] **FACE GUARD FOR A HELMET**

D. 289,568 4/1987 Nimmons D29/16

[76] **Inventor: Kenneth C. Klindt, 1422 Tim Ct.,
Port Orange, Fla. 32019**

[**] **Term: 14 Years**

[21] **Appl. No.: 836,572**

[22] **Filed: Feb. 26, 1986**

[52] **U.S. Cl. D29/16**

[58] **Field of Search D29/16, 17; 2/410, 411,
2/424, 425, 9**

[56] **References Cited**

U.S. PATENT DOCUMENTS

- D. 227,046 6/1973 Dunning D29/16
- D. 249,397 9/1978 Humphrey et al. D29/17 X

OTHER PUBLICATIONS

Riddell Face Masks Brochure published prior to 9-1-9-83, Guard #2B-44 bottom right on page.

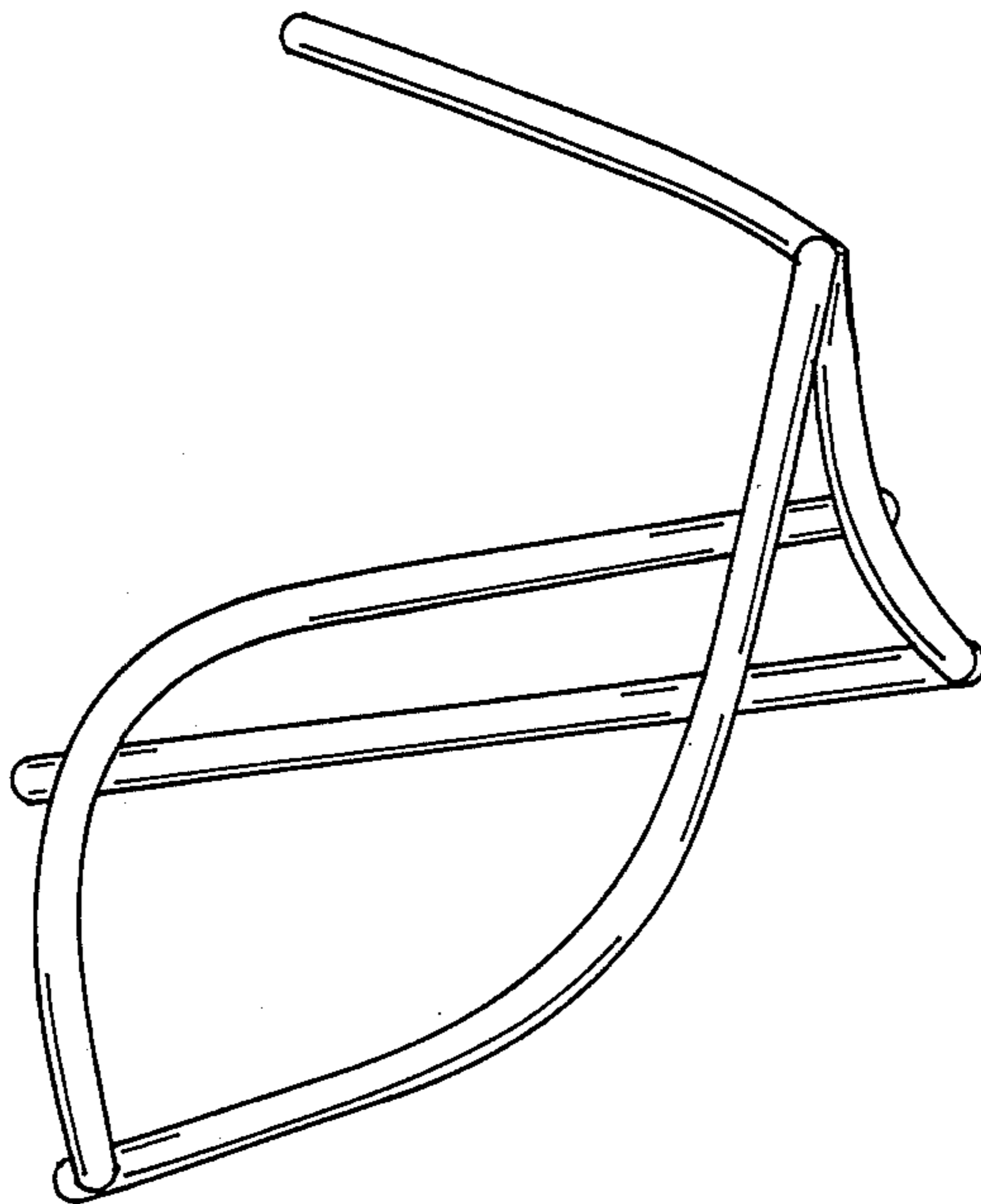
Primary Examiner—Carmen H. Vales

[57] **CLAIM**

The ornamental design for a face guard for a helmet, as shown and described.

DESCRIPTION

FIG. 1 is a side elevational view of a face guard for a helmet showing my new design;
FIG. 2 is a front elevational view thereof; and
FIG. 3 is a perspective view thereof the showing of a helmet in broken lines is for illustrative purposes only.



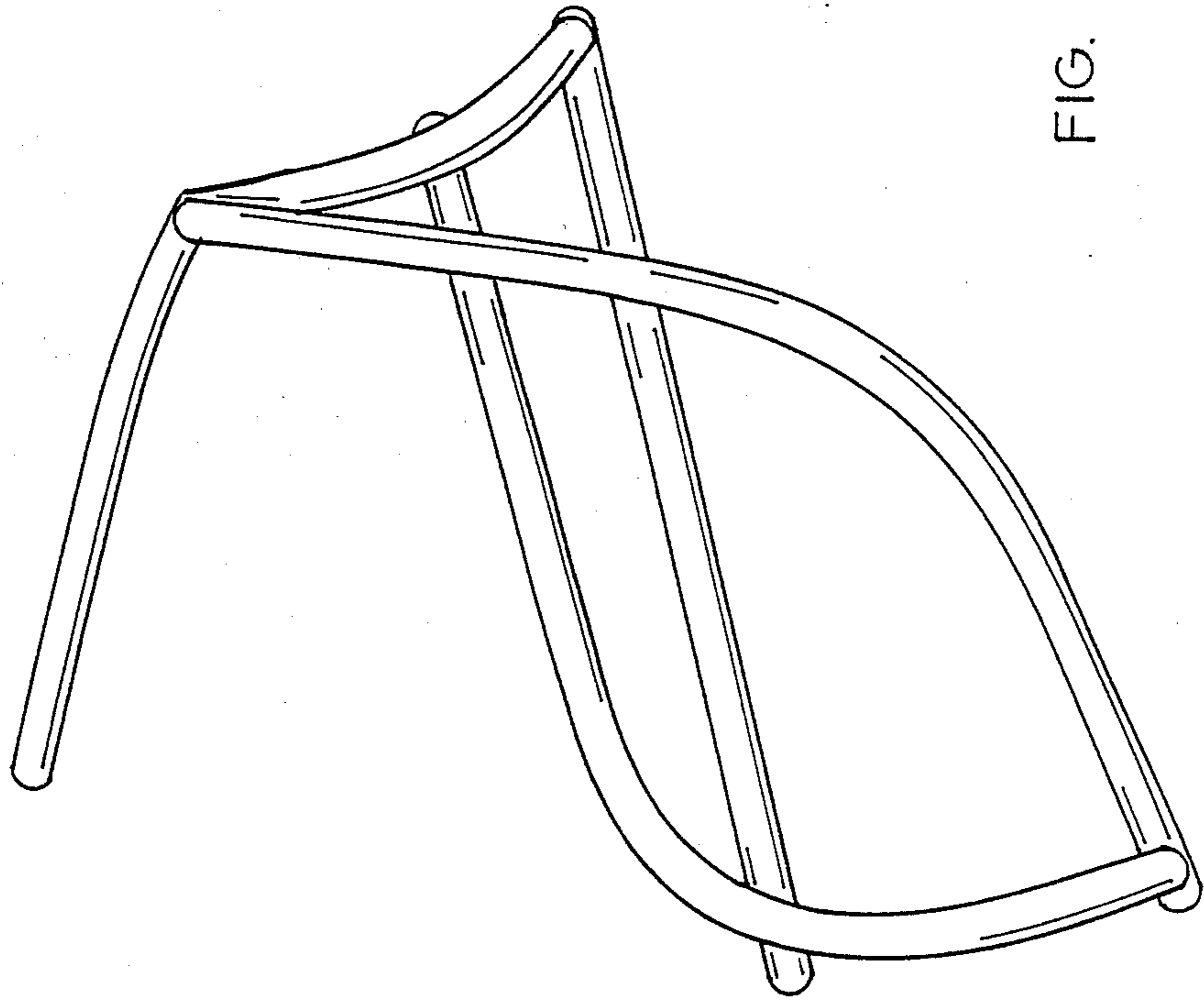


FIG. 1

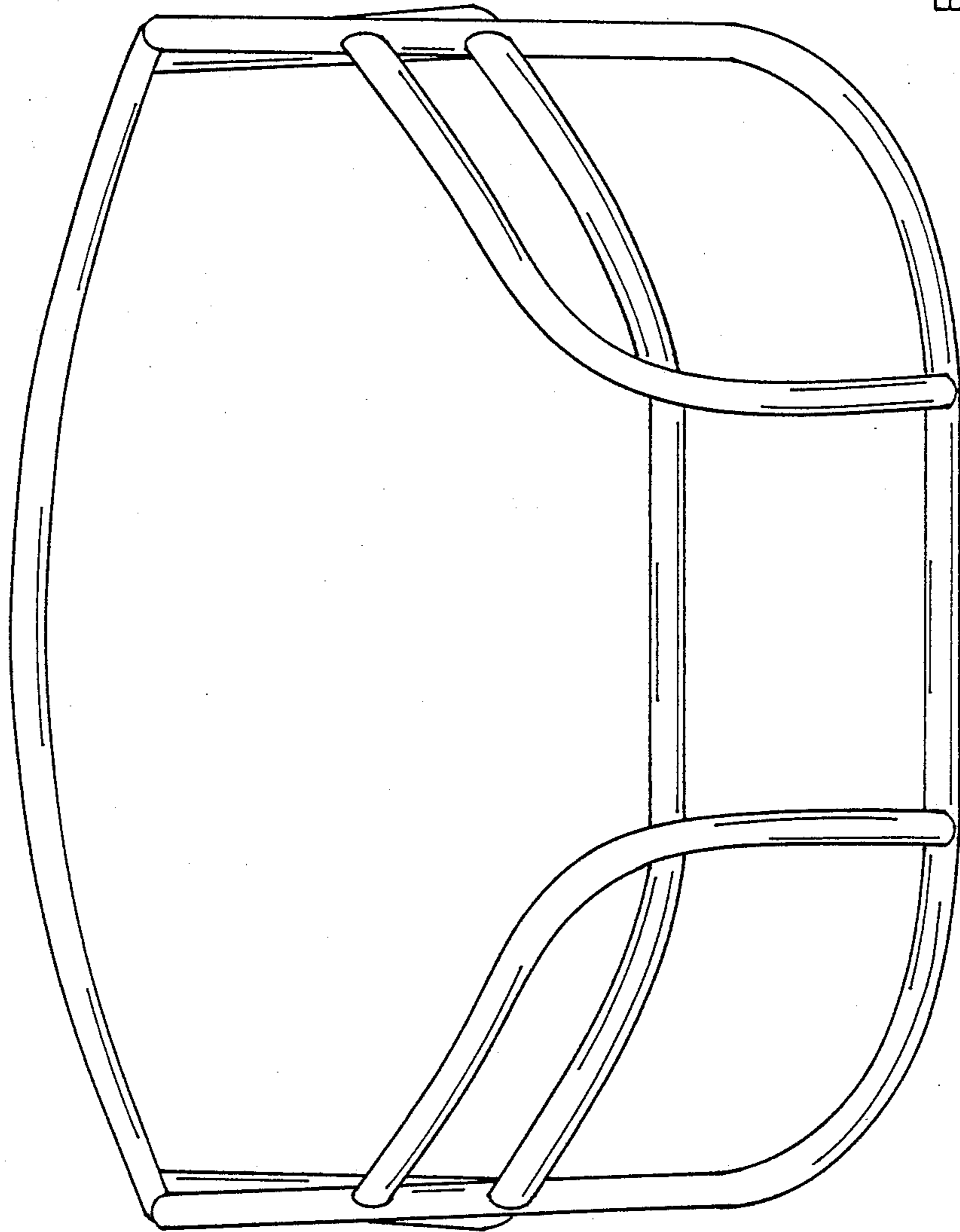


FIG. 2

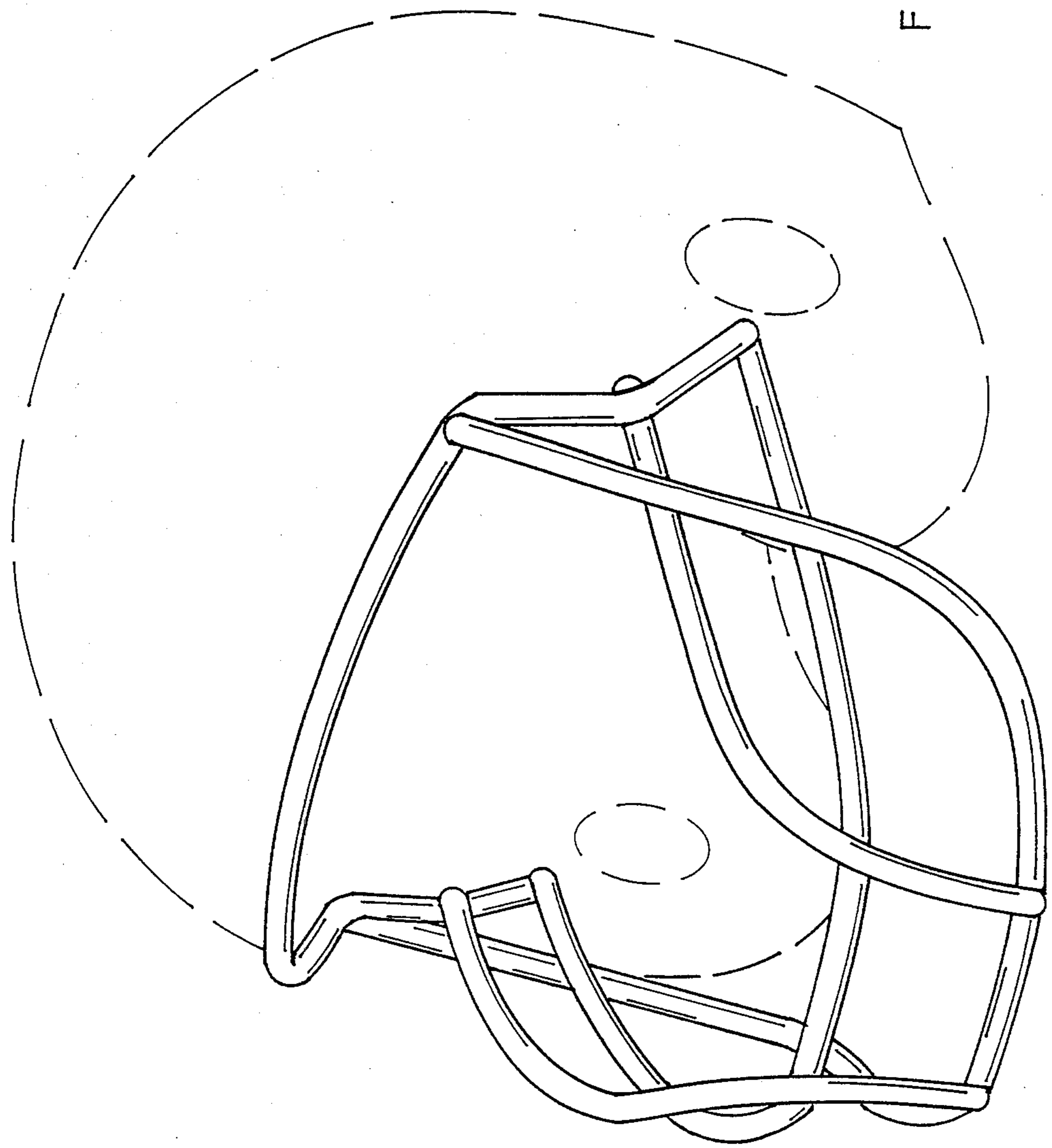


FIG. 3