

[54] **DISPOSABLE HANDLE FOR OPERATING ROOM LIGHTS**

3,093,172 6/1963 Reed, II ..... 16/111 R X  
4,280,167 7/1981 Ellett ..... 362/404 X  
4,559,671 12/1985 Andrews et al. .... 362/804 X

[75] **Inventor: John R. Jefferson, Longwood, Fla.**

*Primary Examiner*—Susan J. Lucas

[73] **Assignee: Devon Industries, Inc., Chatsworth, Calif.**

*Attorney, Agent, or Firm*—Poms, Smith, Lande & Rose

[\*\*] **Term: 14 Years**

[57] **CLAIM**

[21] **Appl. No.: 765,657**

The ornamental design for a disposable handle for operating room lights, as shown and described.

[22] **Filed: Aug. 15, 1985**

**DESCRIPTION**

[52] **U.S. Cl. .... D26/140**

FIG. 1 is a top, side perspective view of a disposable handle for operating room lights showing my new design;

[58] **Field of Search ..... D26/113, 140, 61, 63, D26/64; 362/33, 804, 404; 16/110, 111 R, 114, DIG. 18, DIG. 19, DIG. 24; 74/551.9**

FIG. 2 is a top plan view thereof;

FIG. 3 is a bottom plan view thereof;

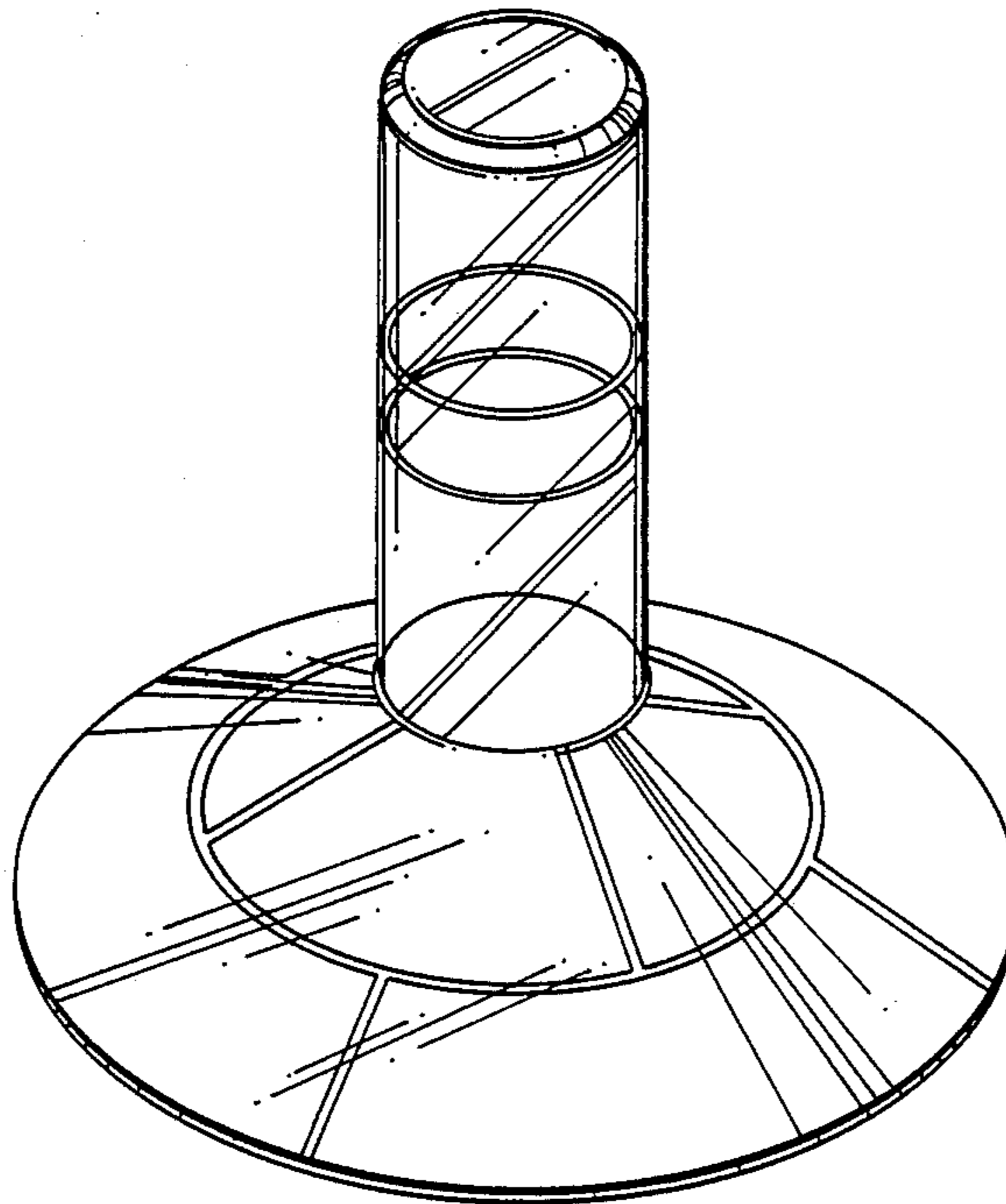
[56] **References Cited**

**U.S. PATENT DOCUMENTS**

D. 289,206 4/1987 Scoville, Jr. et al. .... D26/113 X  
2,798,938 7/1957 Jewell ..... D26/64 X

FIG. 4 is a side elevational view thereof as seen from the left of FIG. 2, the opposite side being a mirror image;

FIG. 5 is a side elevational view thereof rotated approximately 45 degrees side being a mirror image.



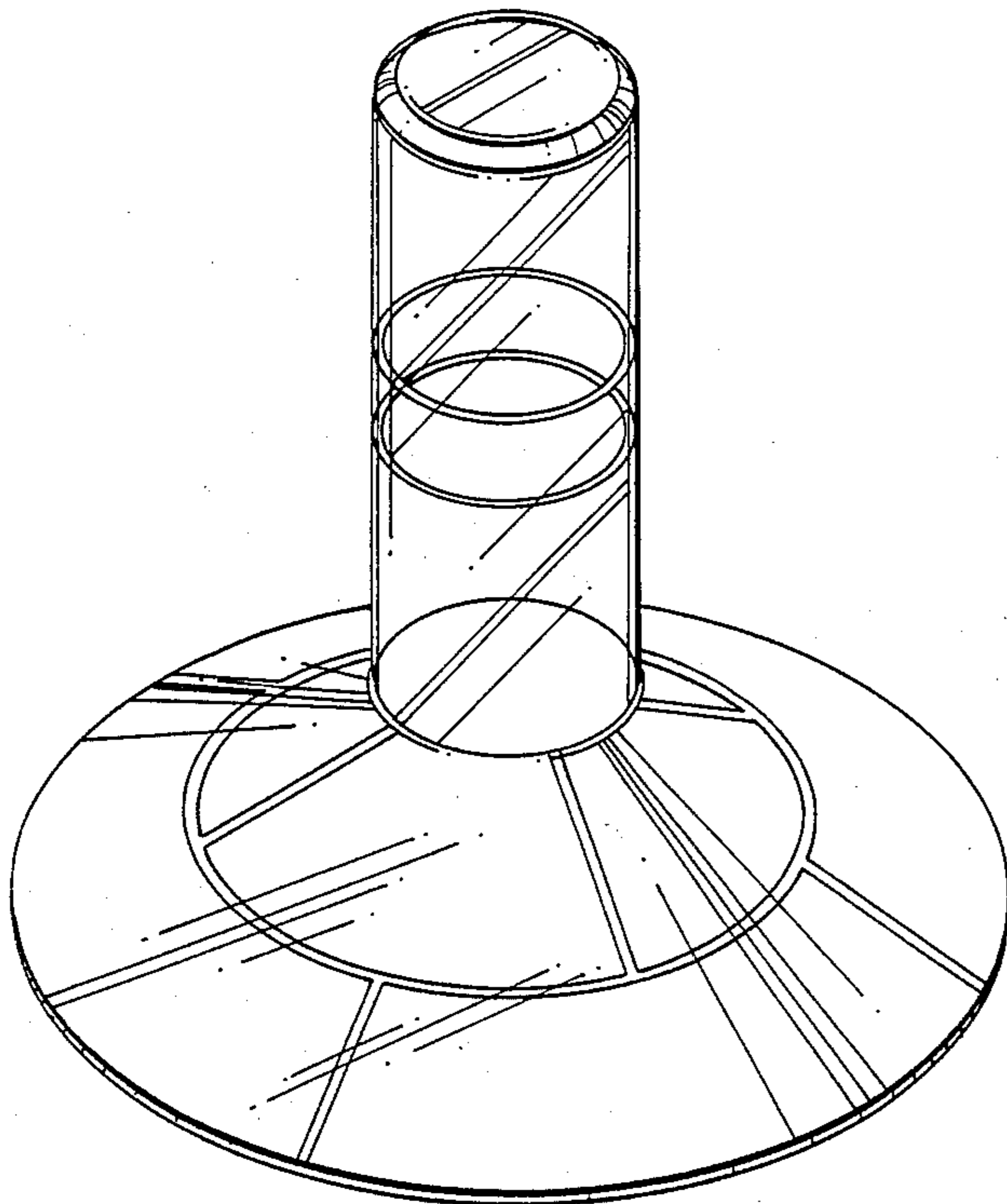


FIG. 1

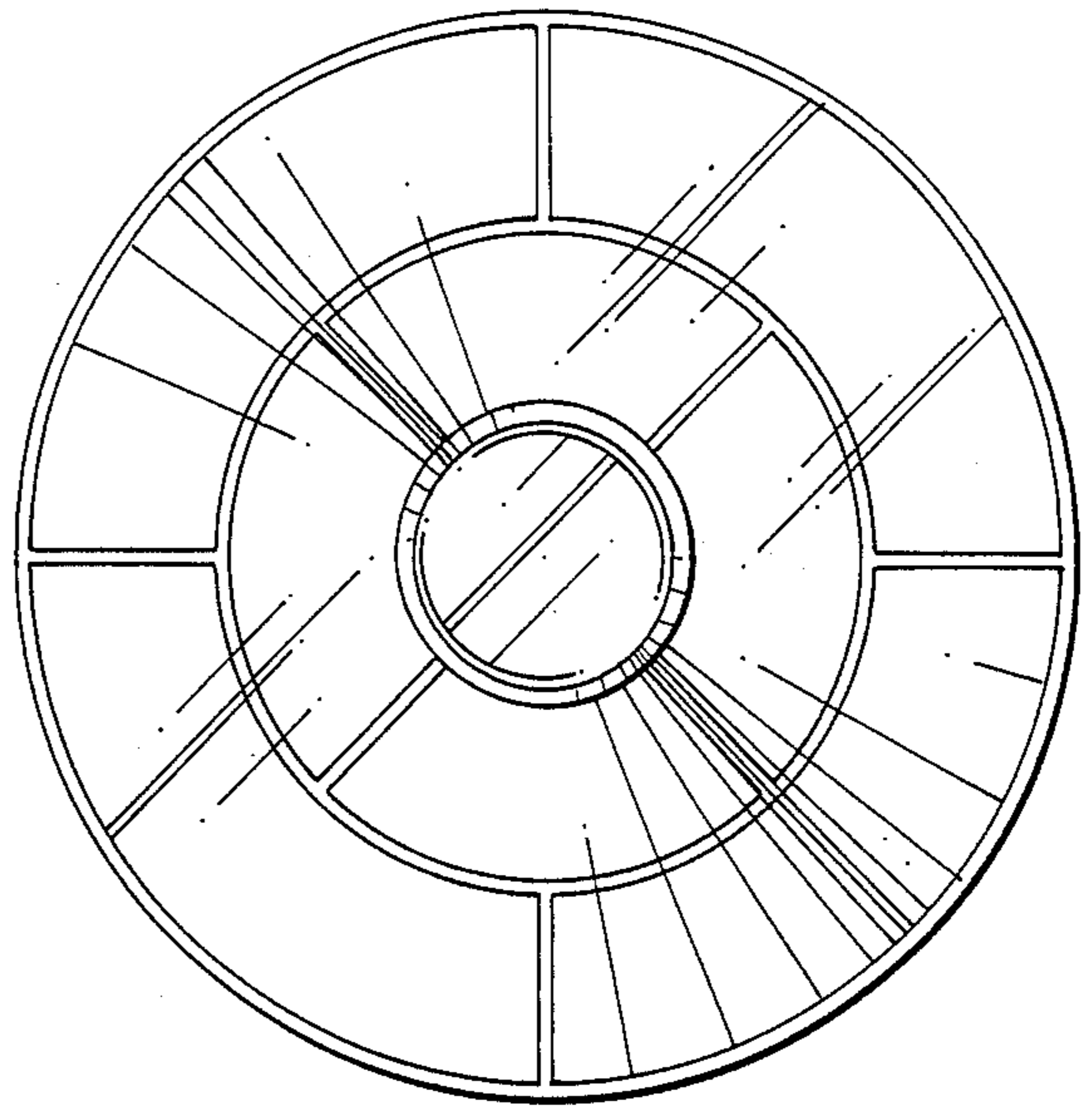


FIG. 2

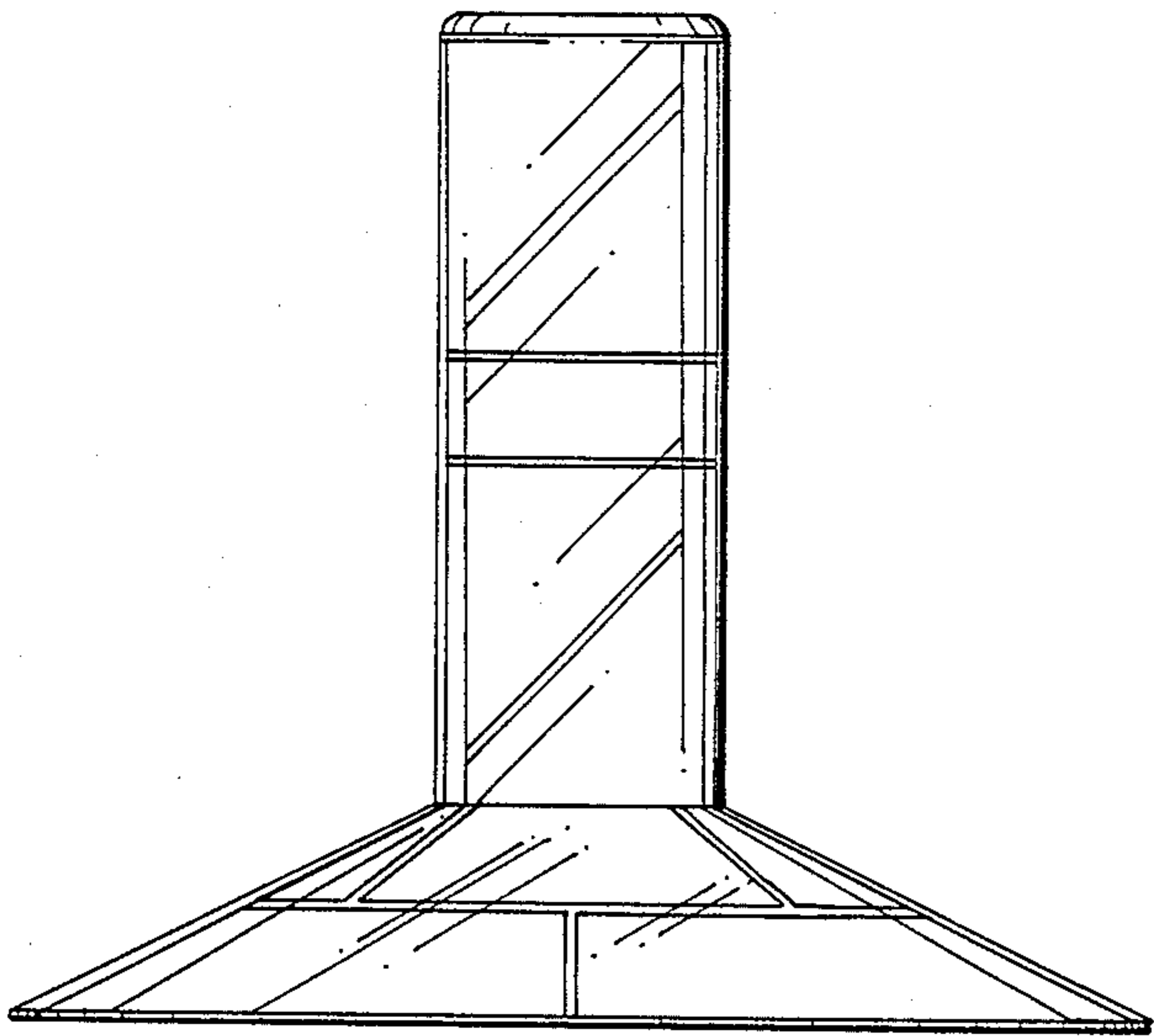


FIG. 4

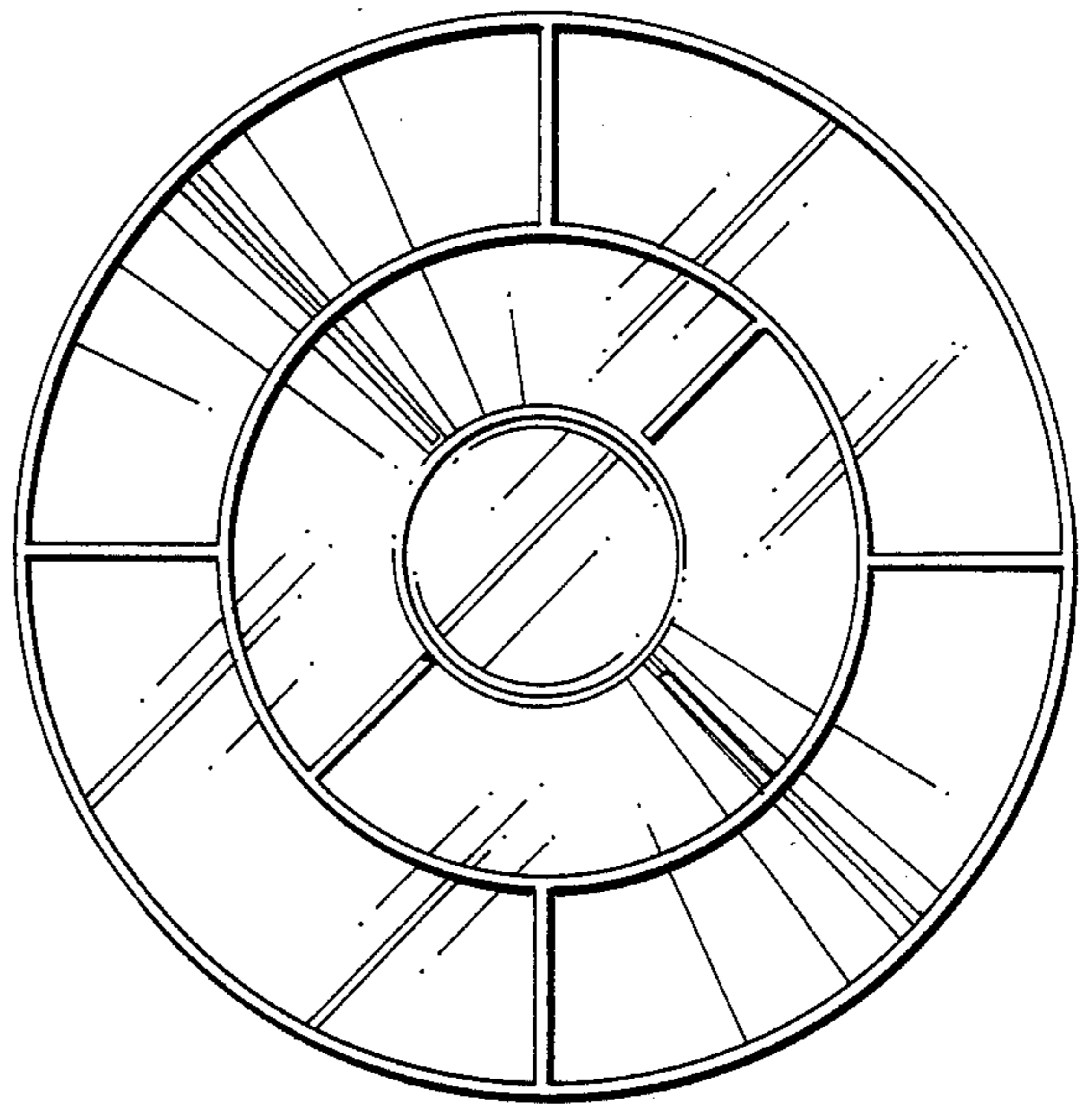


FIG. 3

FIG. 5

