

[54] COMBINED CAKE SHIELD AND CANDLE HOLDER

[76] Inventor: Louis Crisci, 406 N. Putnam Ave., Lindenhurst, N.Y. 11757

[**] Term: 14 Years

[21] Appl. No.: 897,726

[22] Filed: Aug. 18, 1986

[52] U.S. Cl. D26/10; D11/184

[58] Field of Search D26/9-23; 431/288-298, 125, 126; D11/184; D7/83

[56] References Cited

U.S. PATENT DOCUMENTS

- D. 256,844 9/1980 Conn D26/10
- 2,811,030 10/1957 Tannahill D26/10 X

Primary Examiner—Susan J. Lucas

[57] CLAIM

The ornamental design for a combined cake shield and candle holder, as shown and described.

DESCRIPTION

FIG. 1 is a top perspective view of a "combined cake shield and candle holder" showing my new design.

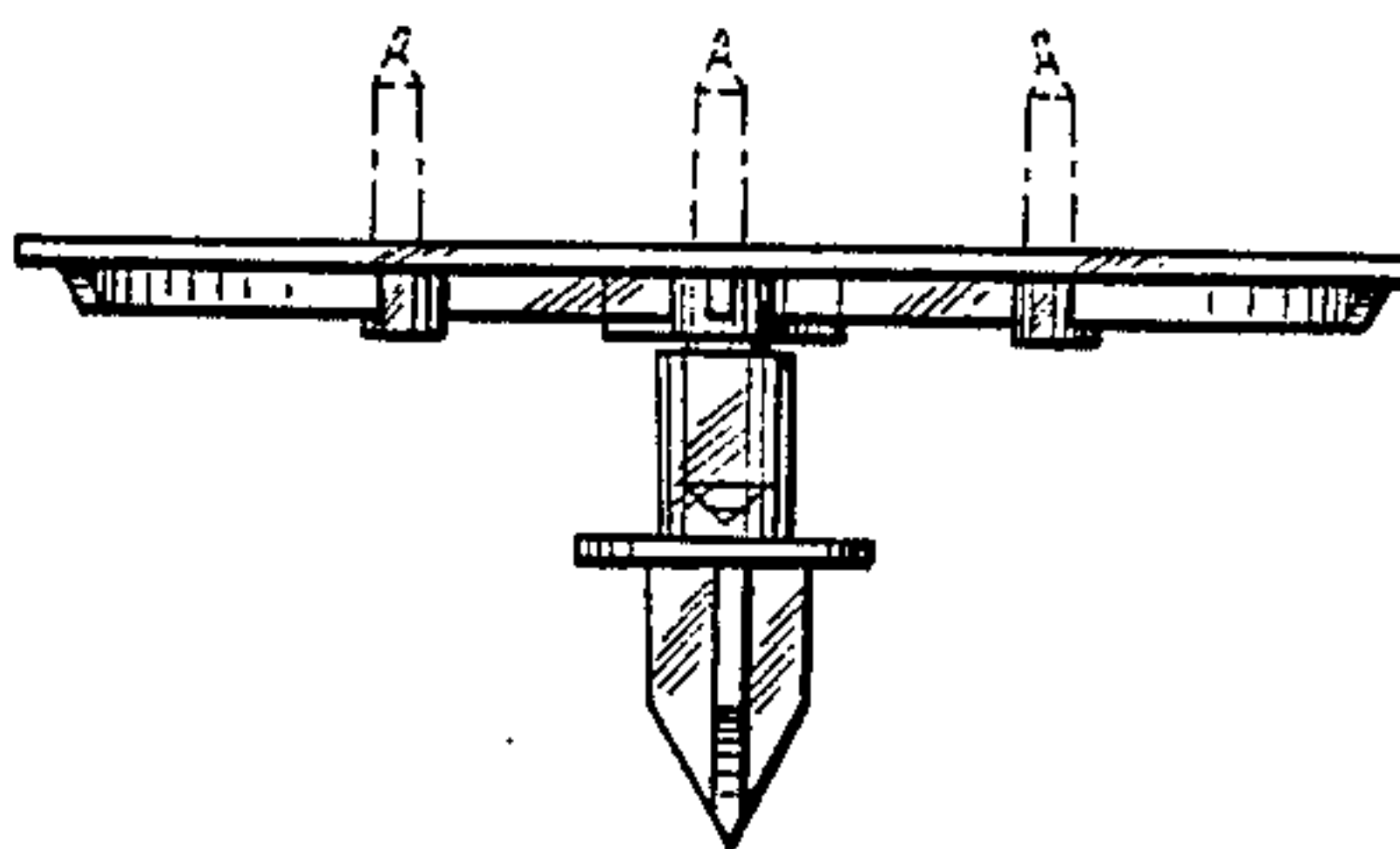
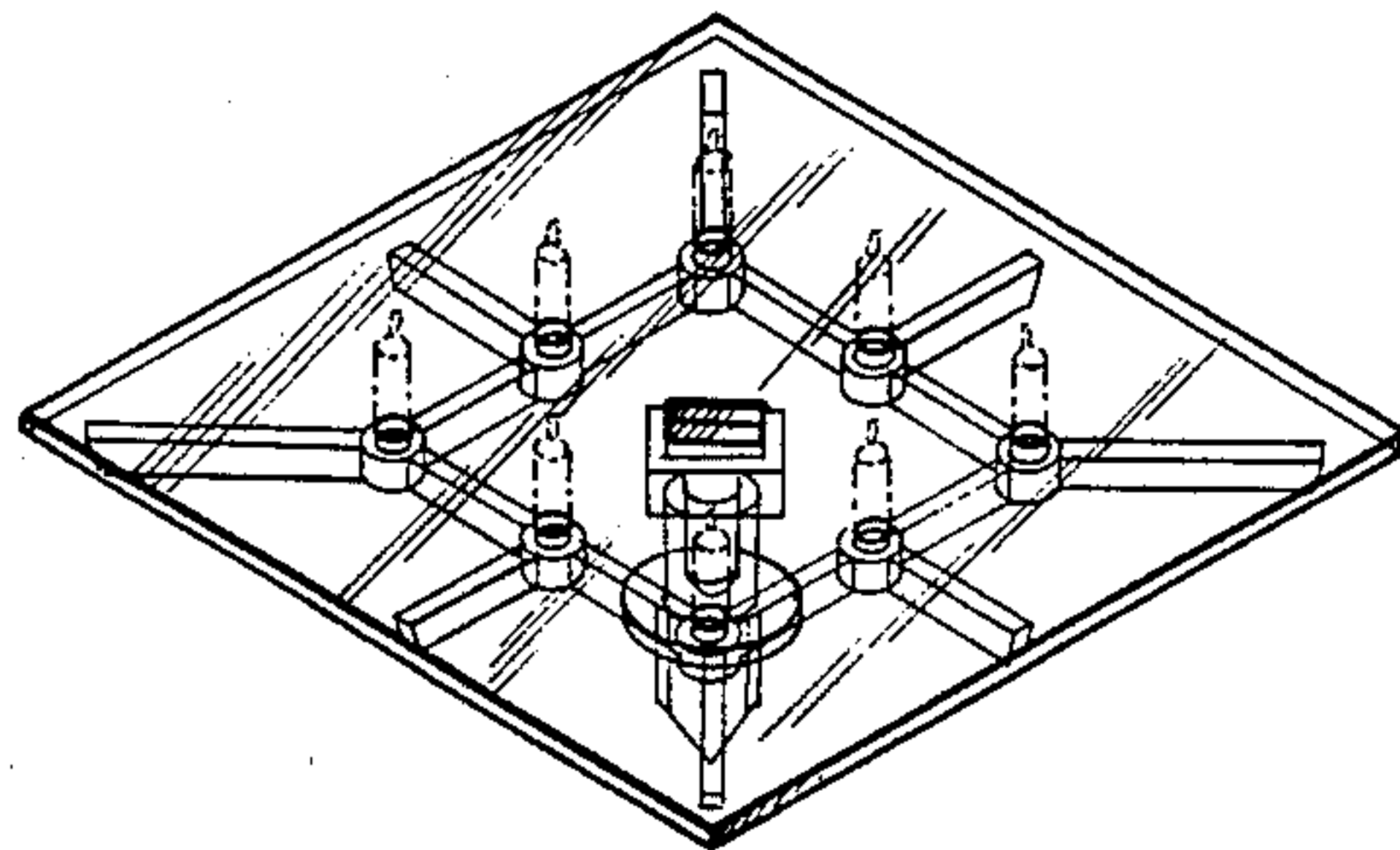
FIG. 2 is a top plan view thereof on an enlarged scale;

FIG. 3 is a front elevational view thereof on an enlarged scale, the rear being a mirror image;

FIG. 4 is a side elevational view thereof on an enlarged scale, the opposite side being a mirror image;

FIG. 5 is a bottom plan view thereof on an enlarged scale.

The candles are shown in broken lines for illustrative purposes only.



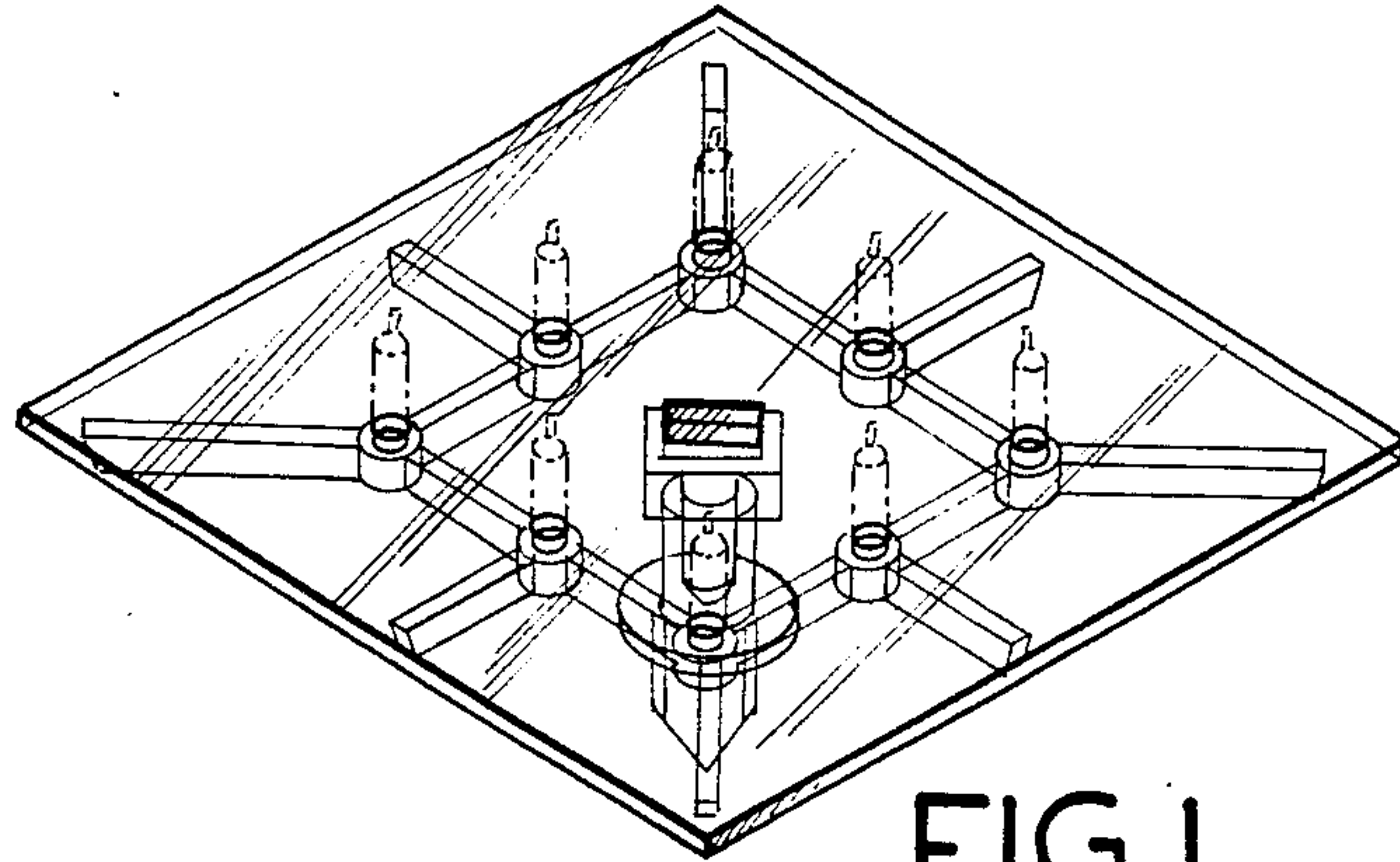


FIG. 1

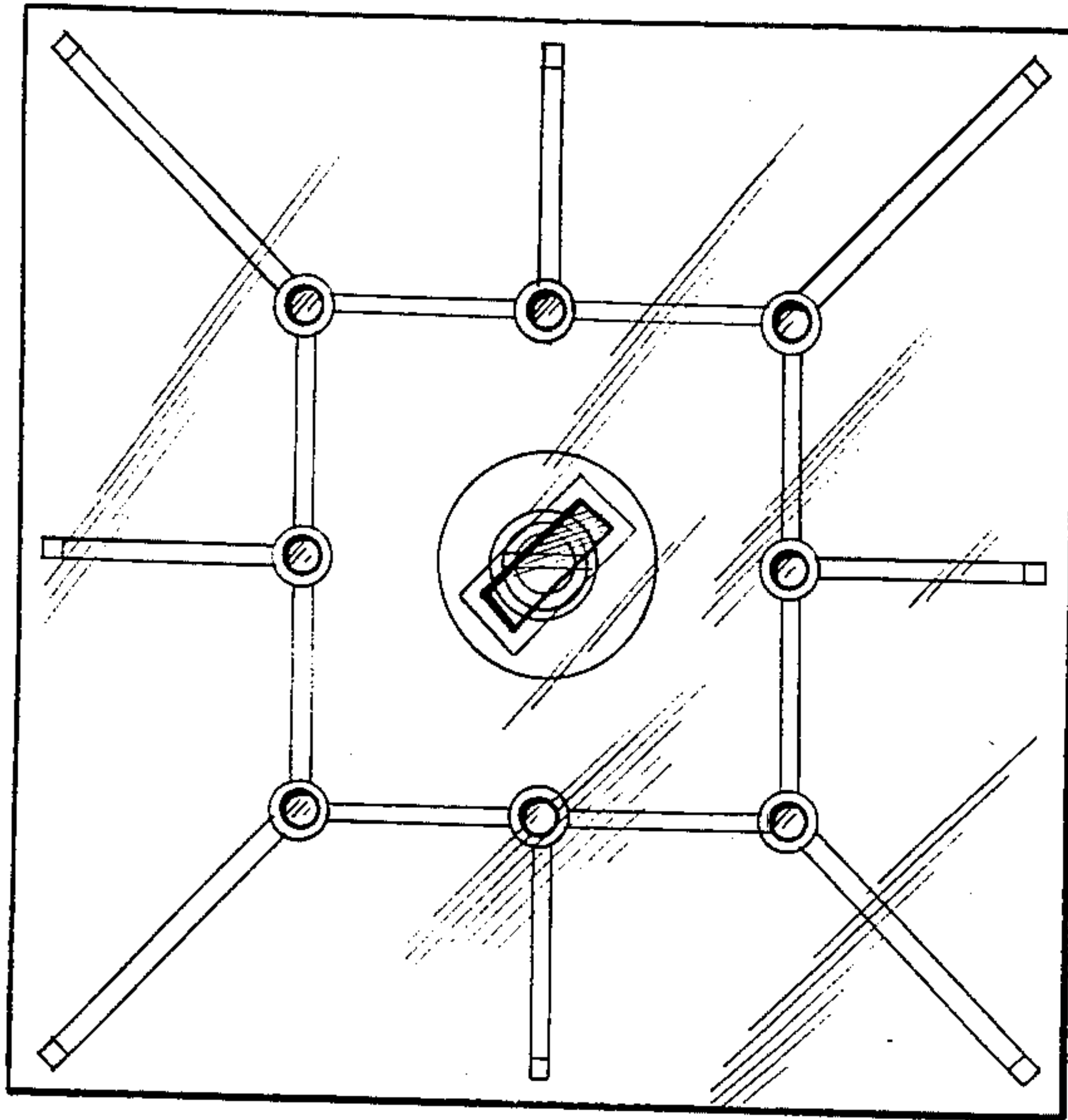


FIG. 2

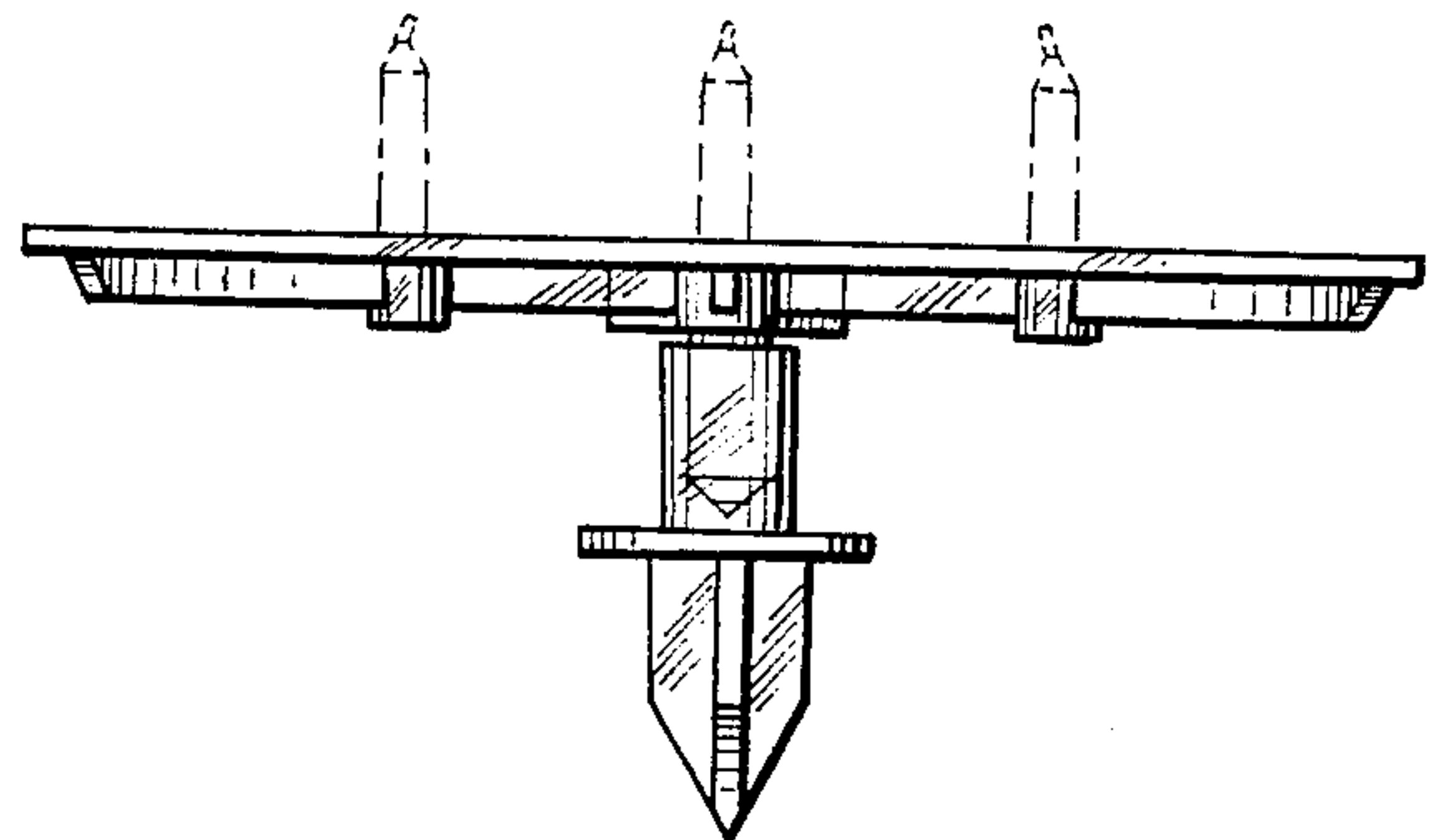


FIG. 4

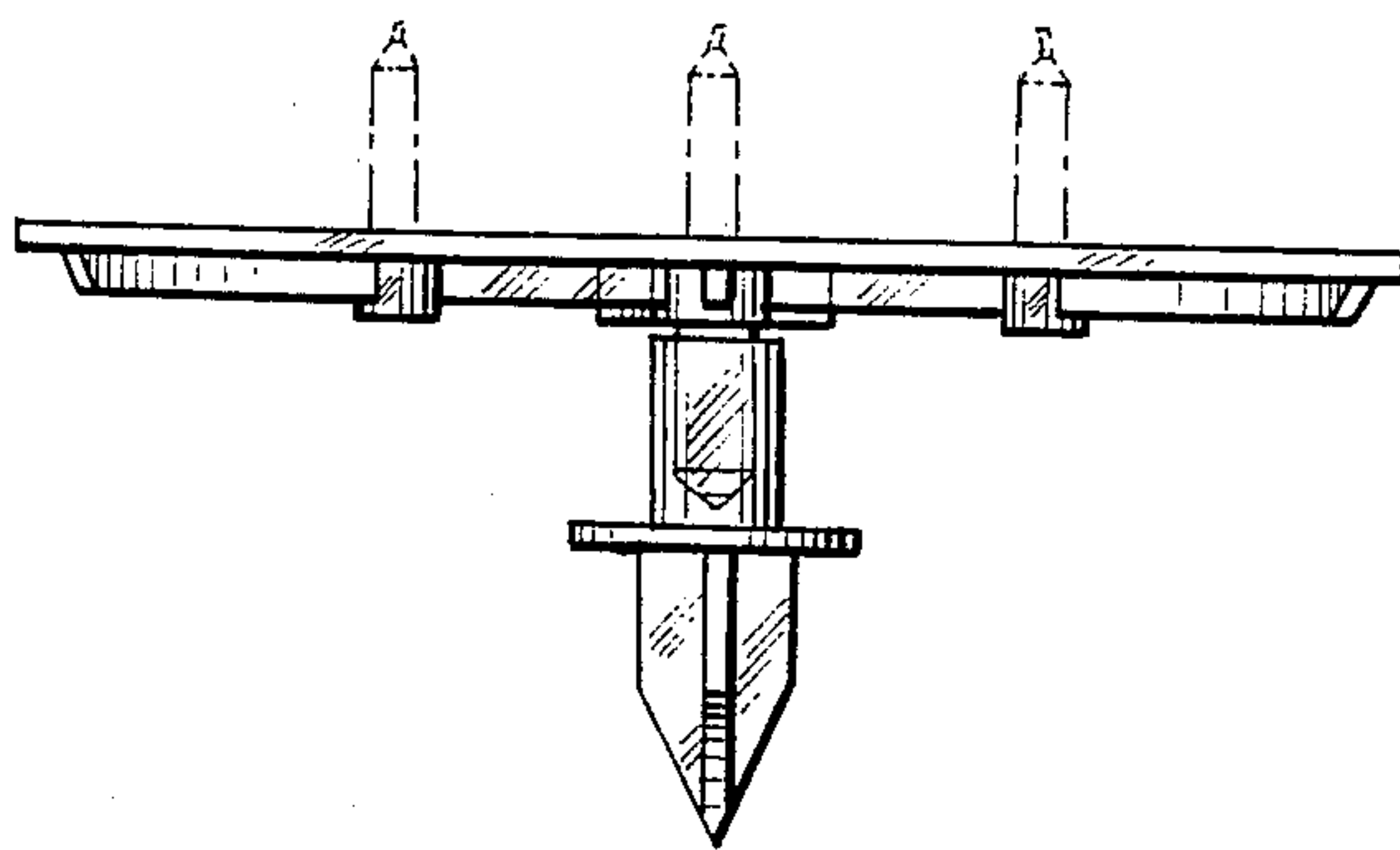


FIG. 3

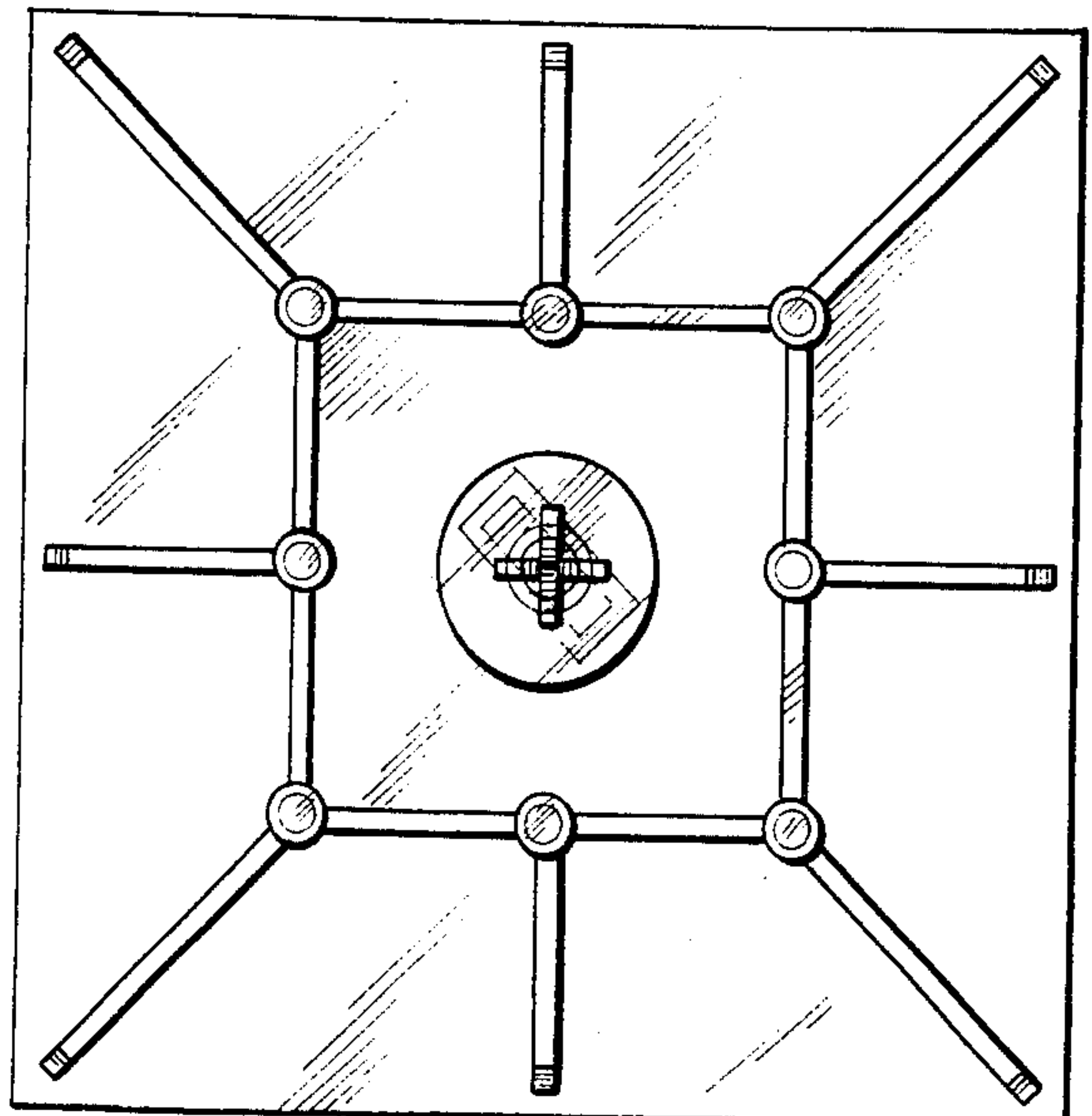


FIG. 5