

# United States Patent [19]

Lanoue

[11] Patent Number: **Des. 298,850**

[45] Date of Patent: **\*\* Dec. 6, 1988**

[54] **CONNECTOR FOR SAP-COLLECTING SYSTEM**

[75] Inventor: **Michel Lanoue, Ste-Foy, Canada**

[73] Assignee: **Les Industries Provinciales Ltee, St.Damien, Canada**

[\*\*] Term: **14 Years**

[21] Appl. No.: **784,943**

[22] Filed: **Oct. 7, 1985**

[52] U.S. Cl. .... **D23/263**

[58] Field of Search ..... **D23/259-269; 285/38, 150**

[56] **References Cited**

### U.S. PATENT DOCUMENTS

D. 240,928 8/1976 Motivier et al. .... D23/238  
4,688,829 8/1987 Shioda et al. .... 285/156

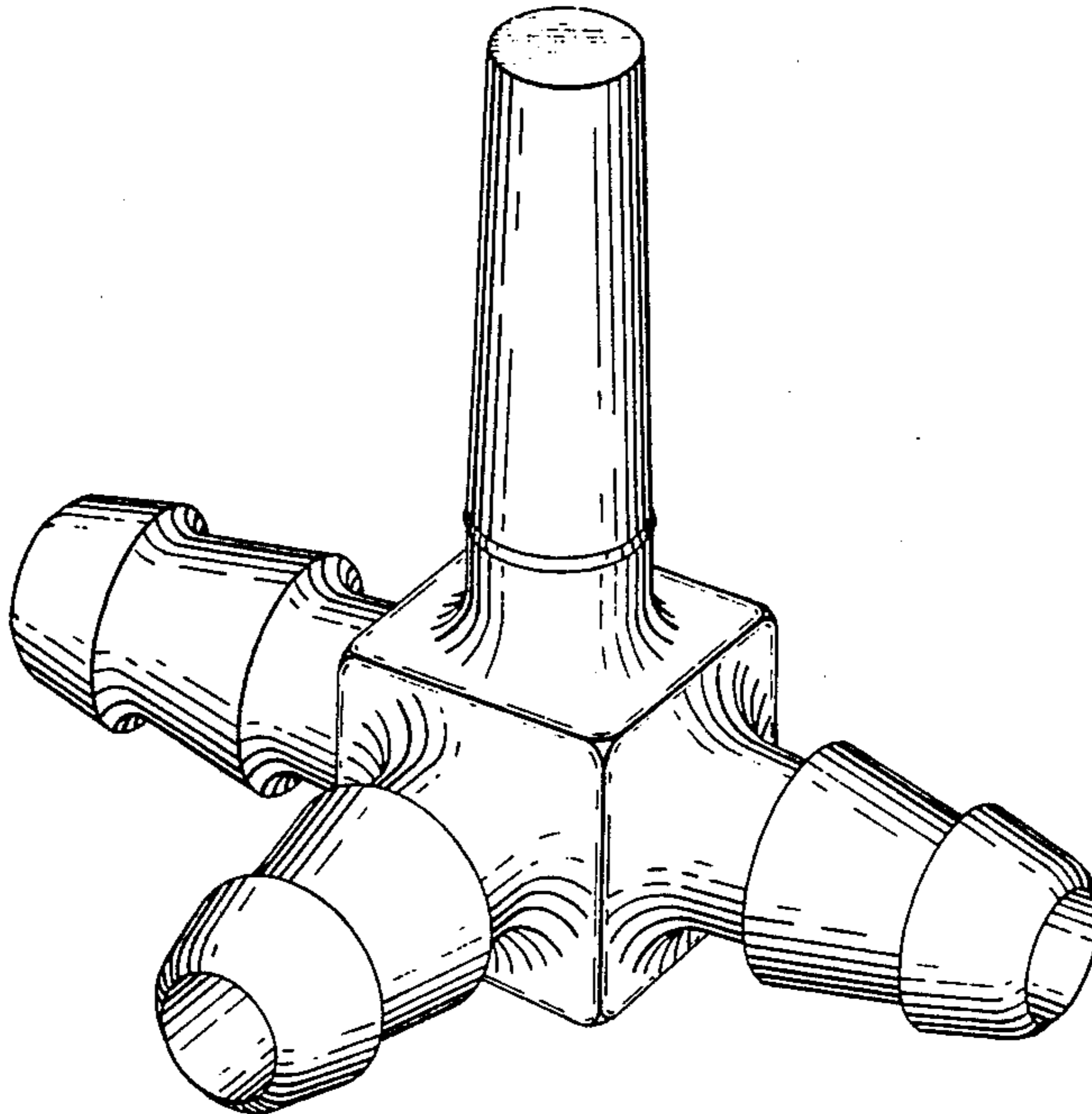
*Primary Examiner*—James R. Largen  
*Attorney, Agent, or Firm*—Jean H. Dubuc

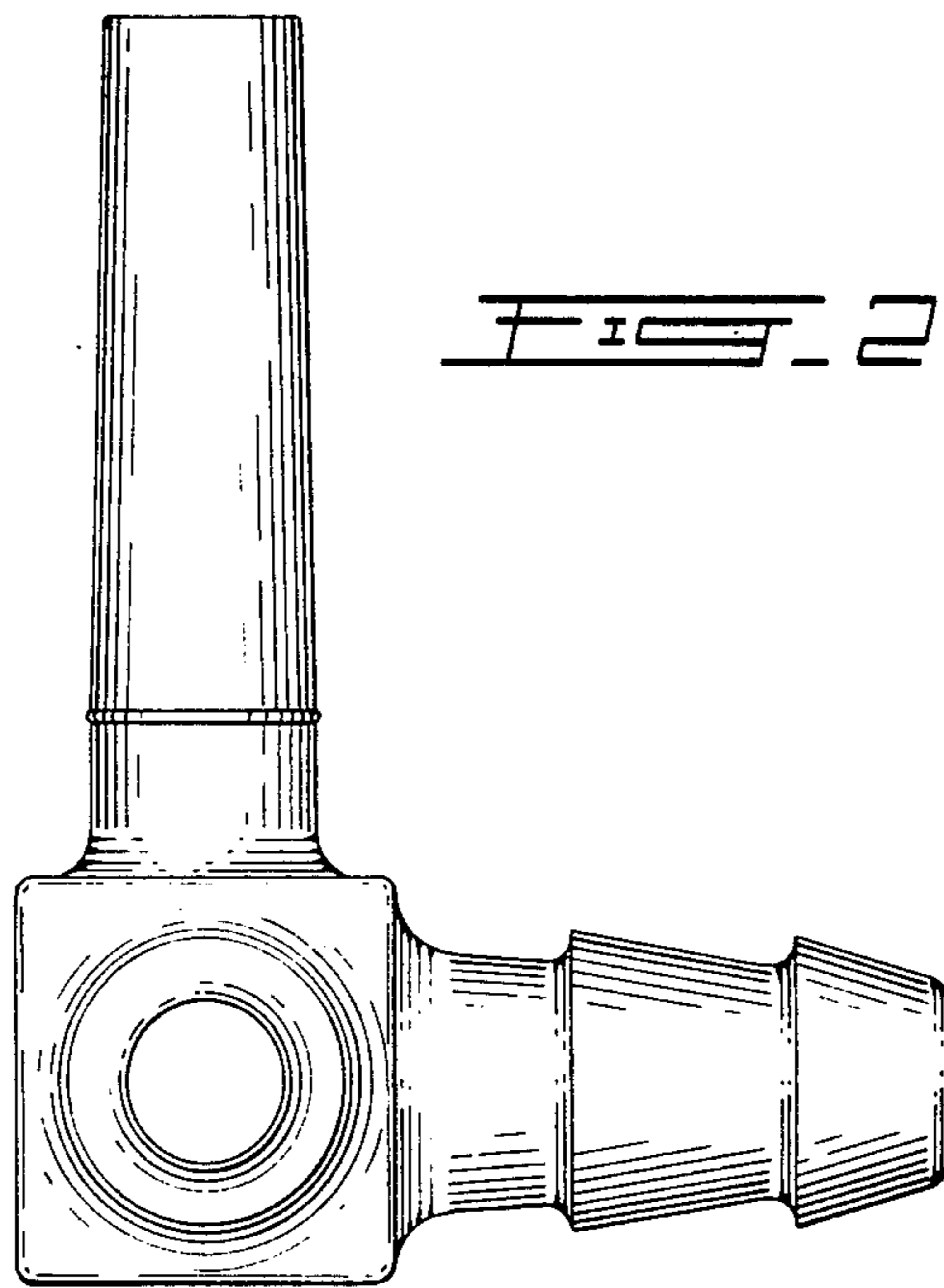
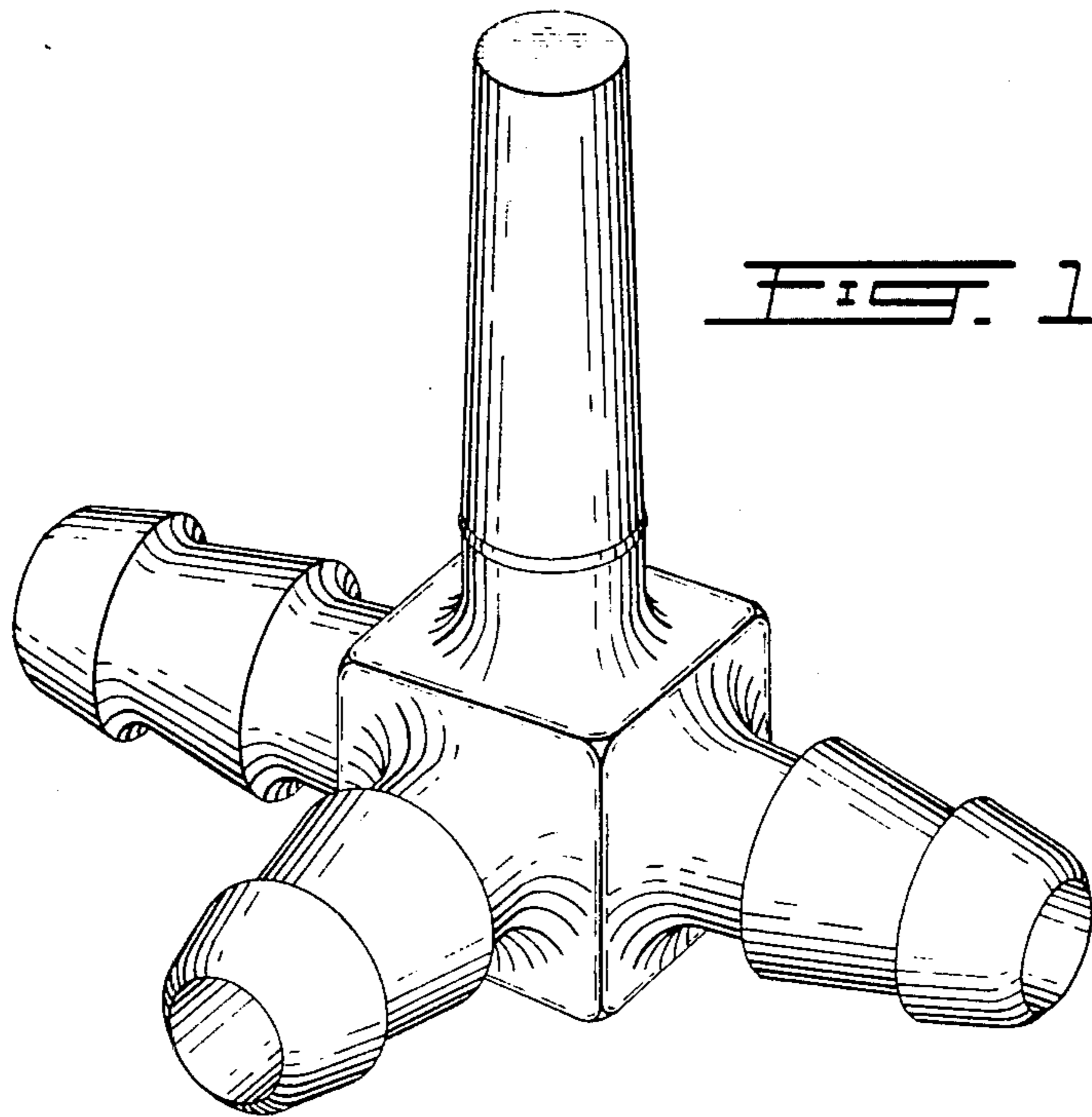
[57] **CLAIM**

The ornamental design for a connector for sap-collecting system, as shown and described.

### DESCRIPTION

FIG. 1 is a top, perspective view of a connector for sap-collecting system showing my new design; FIG. 2 is a side elevational view thereof; FIG. 3 is a top plan view thereof; FIG. 4 is a front elevational view thereof; FIG. 5 is a rear elevational view thereof; and FIG. 6 is a bottom plan view thereof.





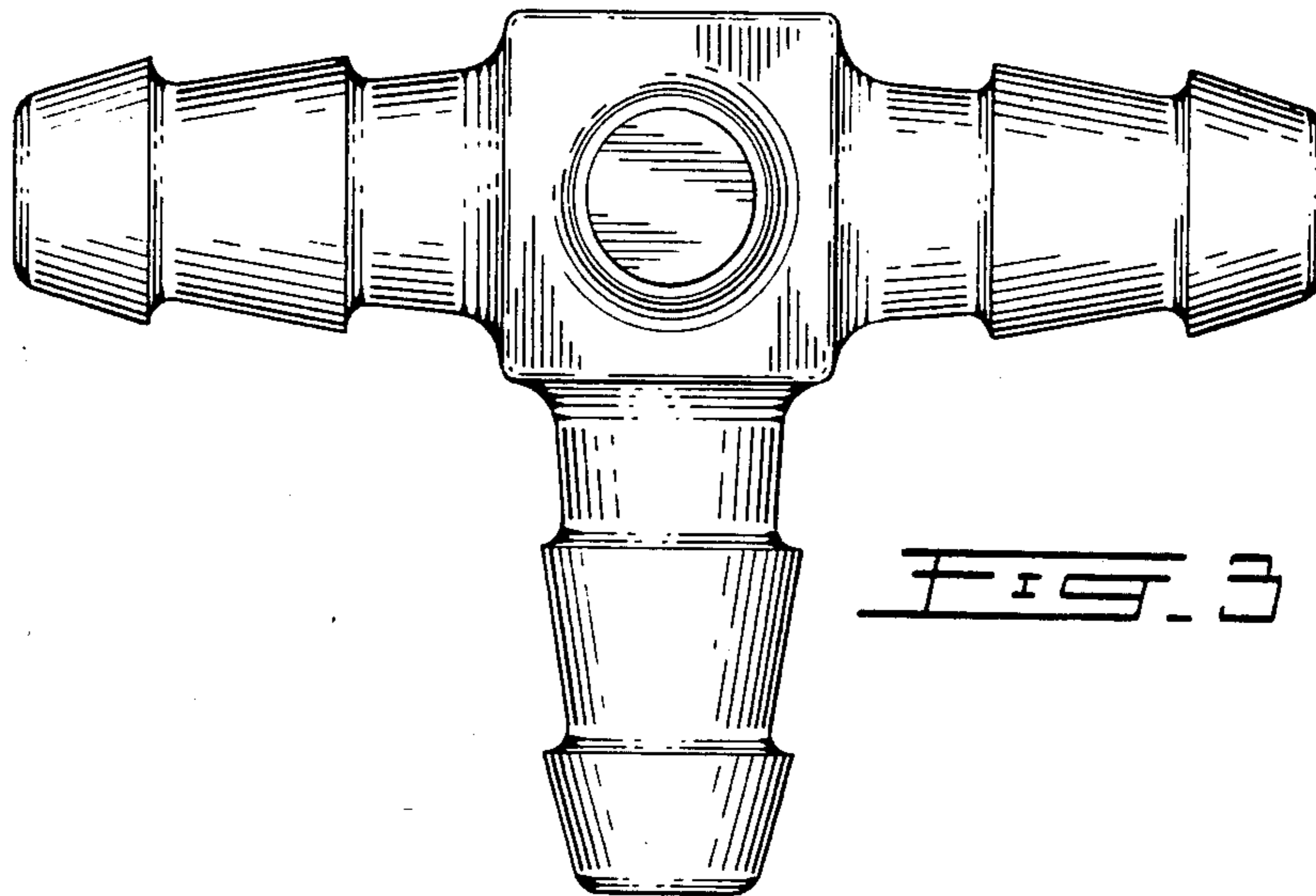


FIG. 3

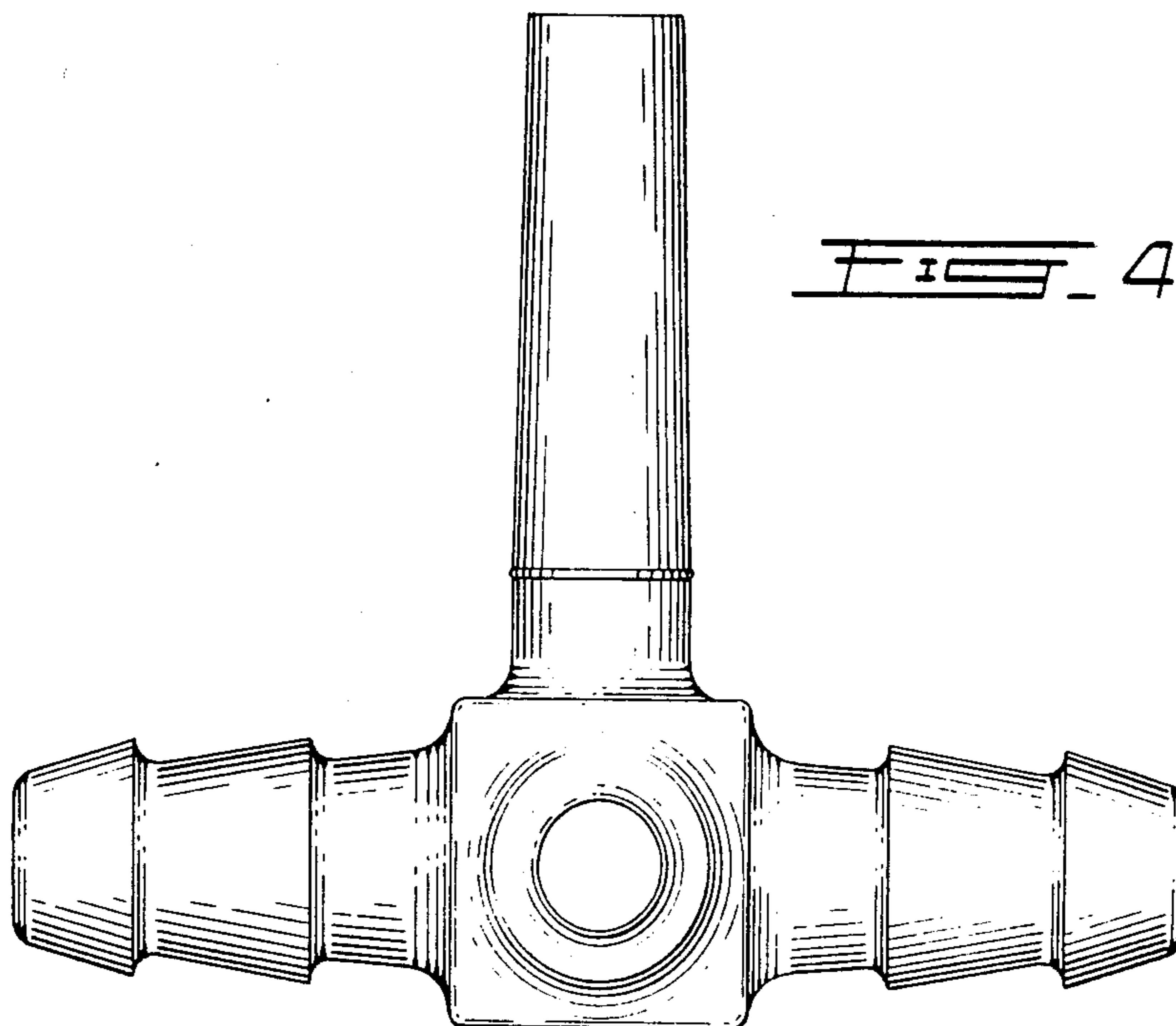


FIG. 4

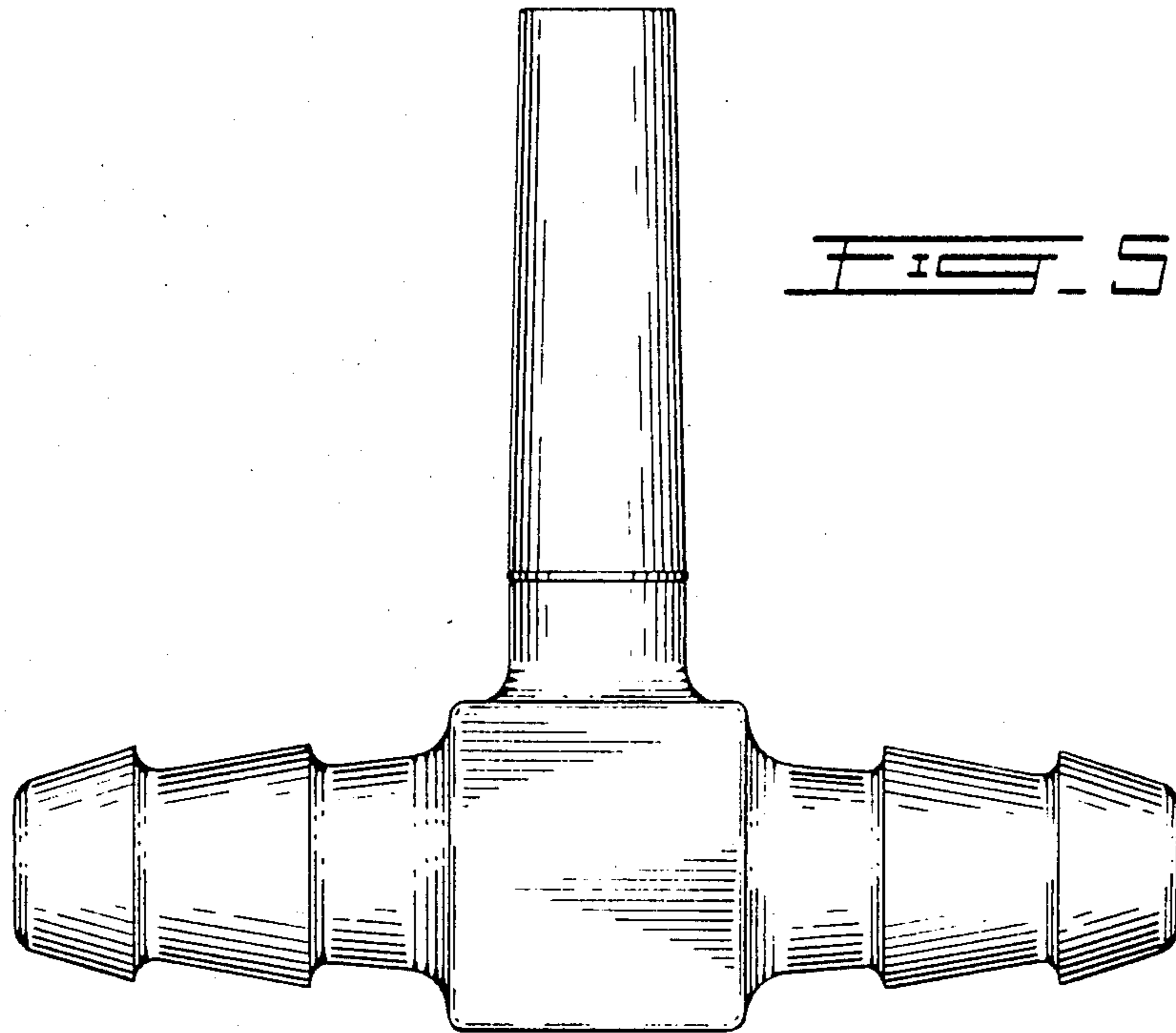


FIG. 5

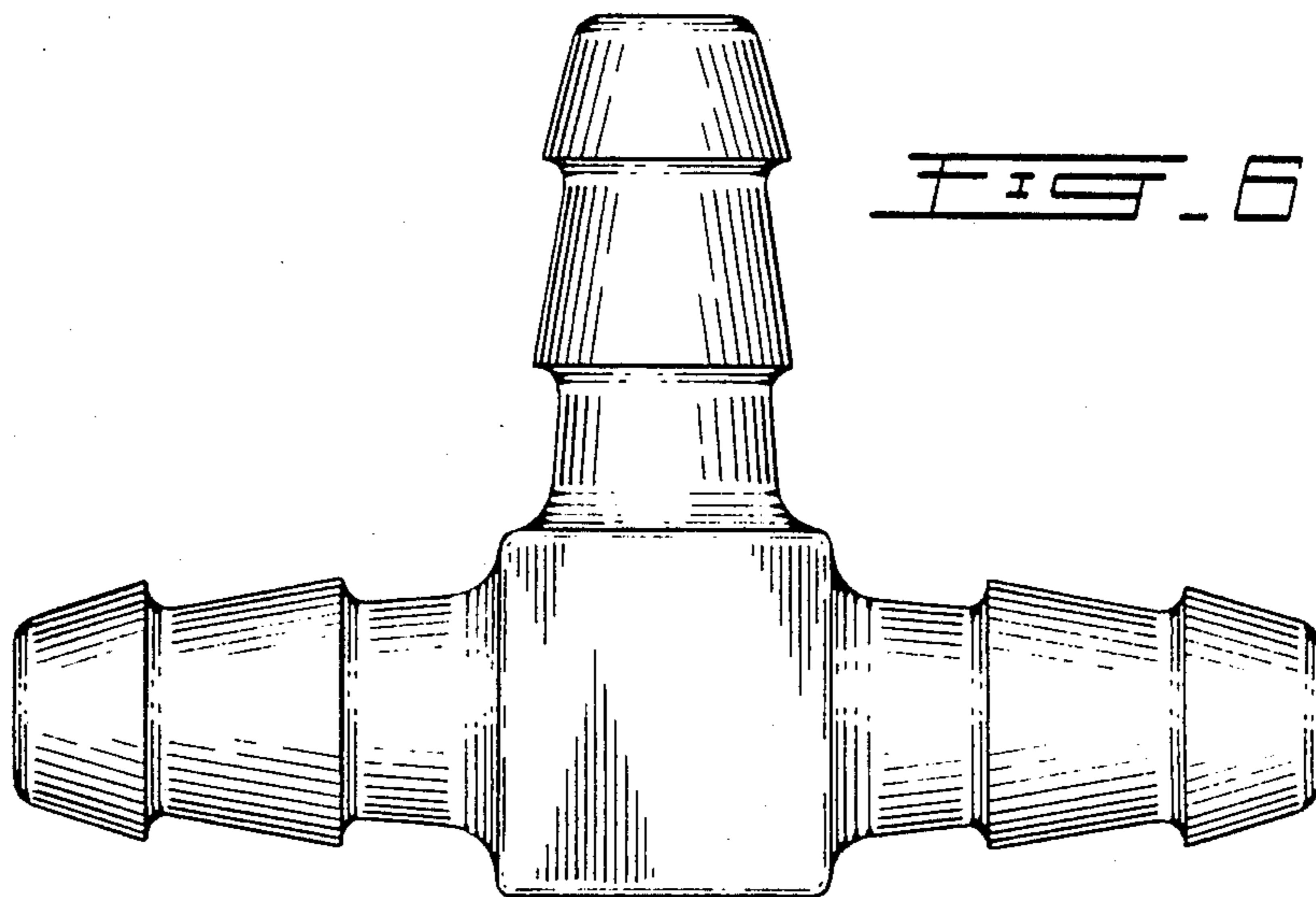


FIG. 6