

[54] ASPIRATION SPRAYER FOR INSECTICIDES

[75] Inventors: Ho Chow, Cliffside Park, N.J.; Edward A. Kozloski, Babylon Village, N.Y.

[73] Assignee: Hunter-Melnor

[\*\*] Term: 14 Years

[21] Appl. No.: 850,412

[22] Filed: Apr. 7, 1986

[52] U.S. Cl. .... D23/213

[58] Field of Search ..... D23/223, 213, 224, 226; 239/318, 317, 310, 315

[56] References Cited

U.S. PATENT DOCUMENTS

3,254,844	6/1966	Blasnik et al. ....	239/318
3,940,069	2/1976	Gunzel, Jr. et al. ....	239/318
4,369,921	1/1983	Beiswenger et al. ....	239/318 X

4,527,740 7/1985 Gunzel, Jr. et al. .... 239/318

Primary Examiner—Wallace R. Burke  
Assistant Examiner—Stella M. Reid  
Attorney, Agent, or Firm—James & Franklin

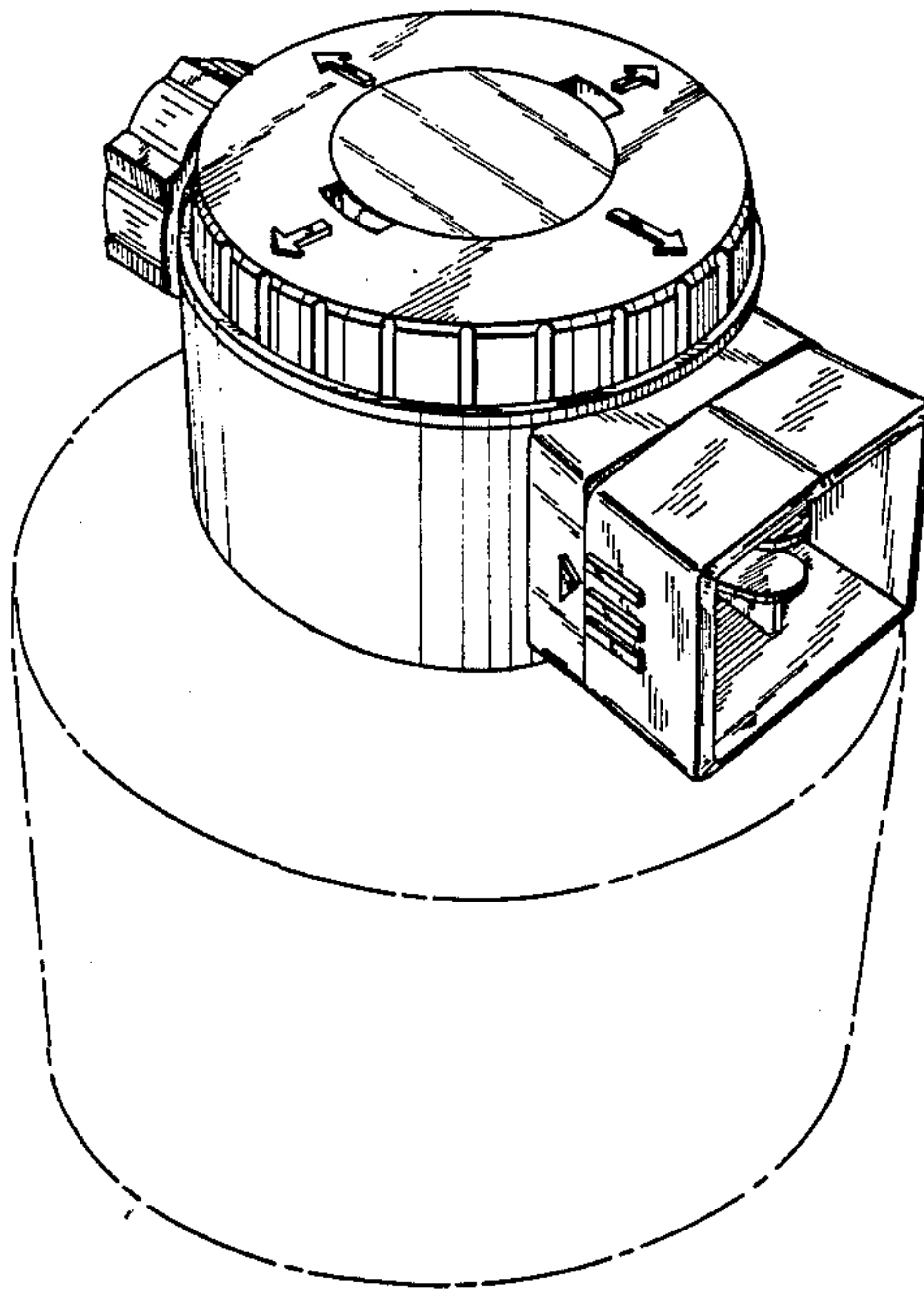
[57] CLAIM

The ornamental design for an aspiration sprayer for insecticides, as shown.

DESCRIPTION

FIG. 1 is a three-quarter perspective view of an aspiration sprayer for insecticides showing our new design; FIG. 2 is a top plan view thereof; FIG. 3 is a side elevational view thereof; FIG. 4 is an end elevational view thereof taken from the right-hand end of FIG. 2; and FIG. 5 is an end elevational view thereof taken from the left-hand end of FIG. 2.

The broken line showing of the bottle in FIG. 1 of the drawing is for illustrative purposes only and forms no part of the claimed design.



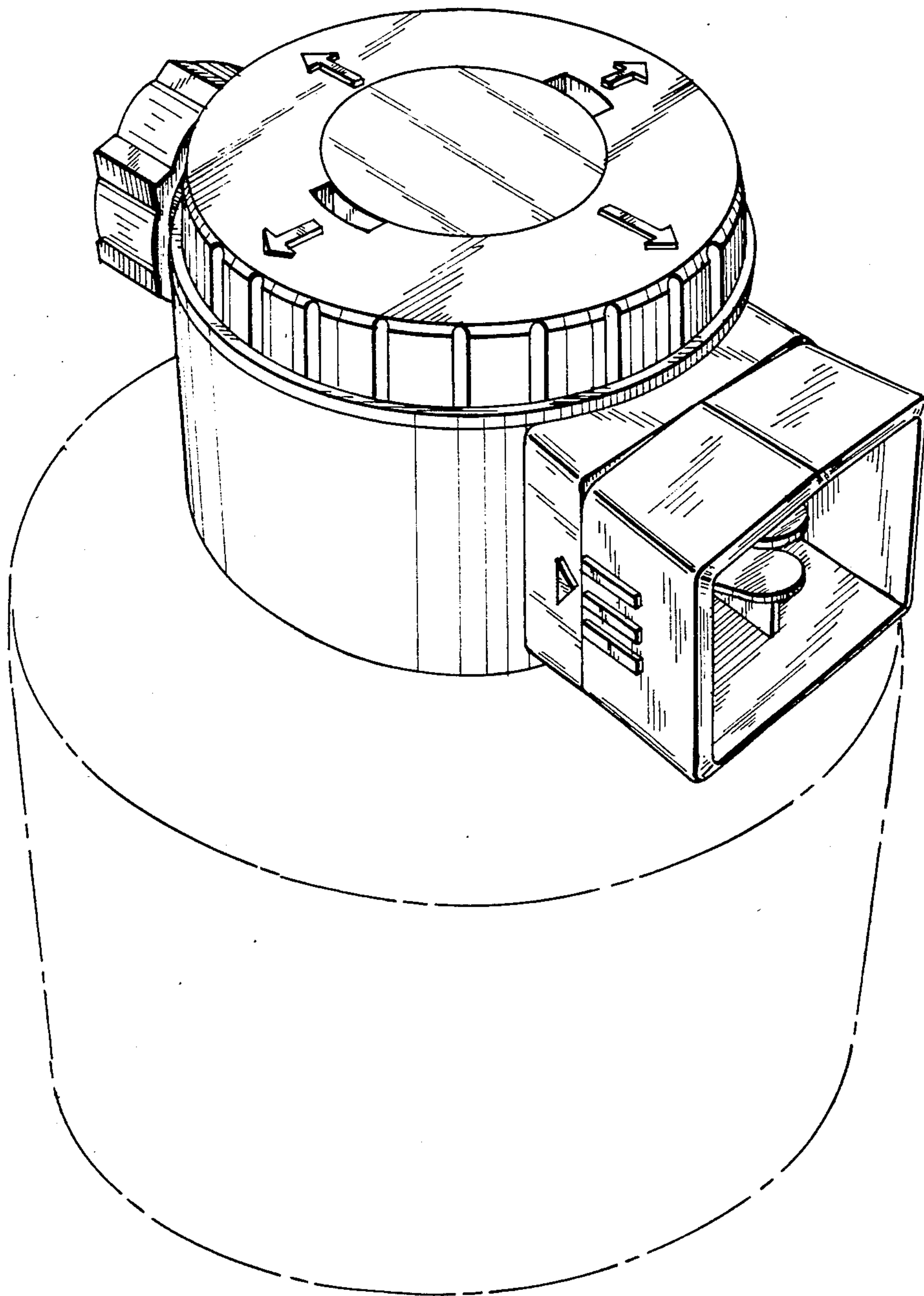


FIG. 1

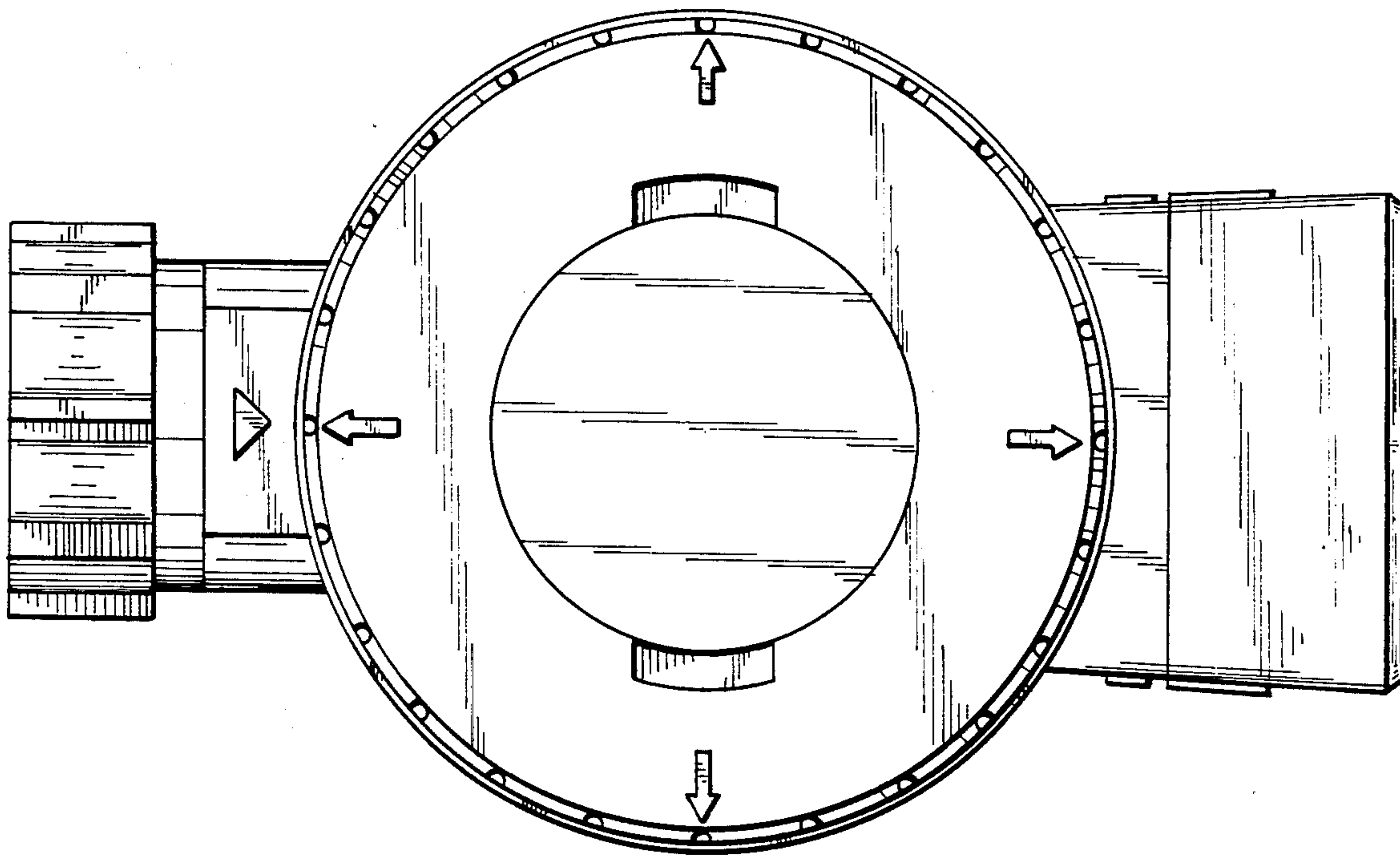


FIG. 2

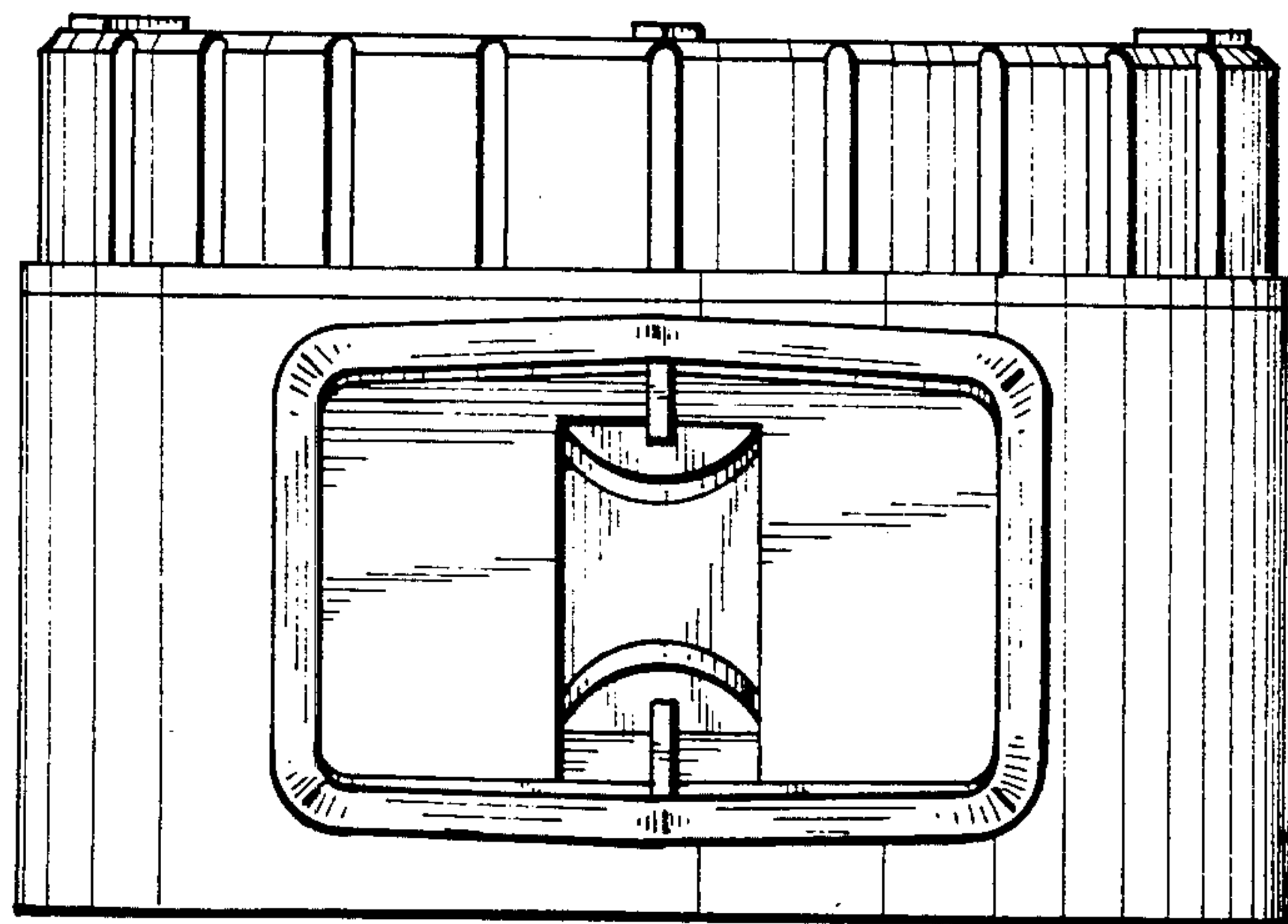


FIG. 4

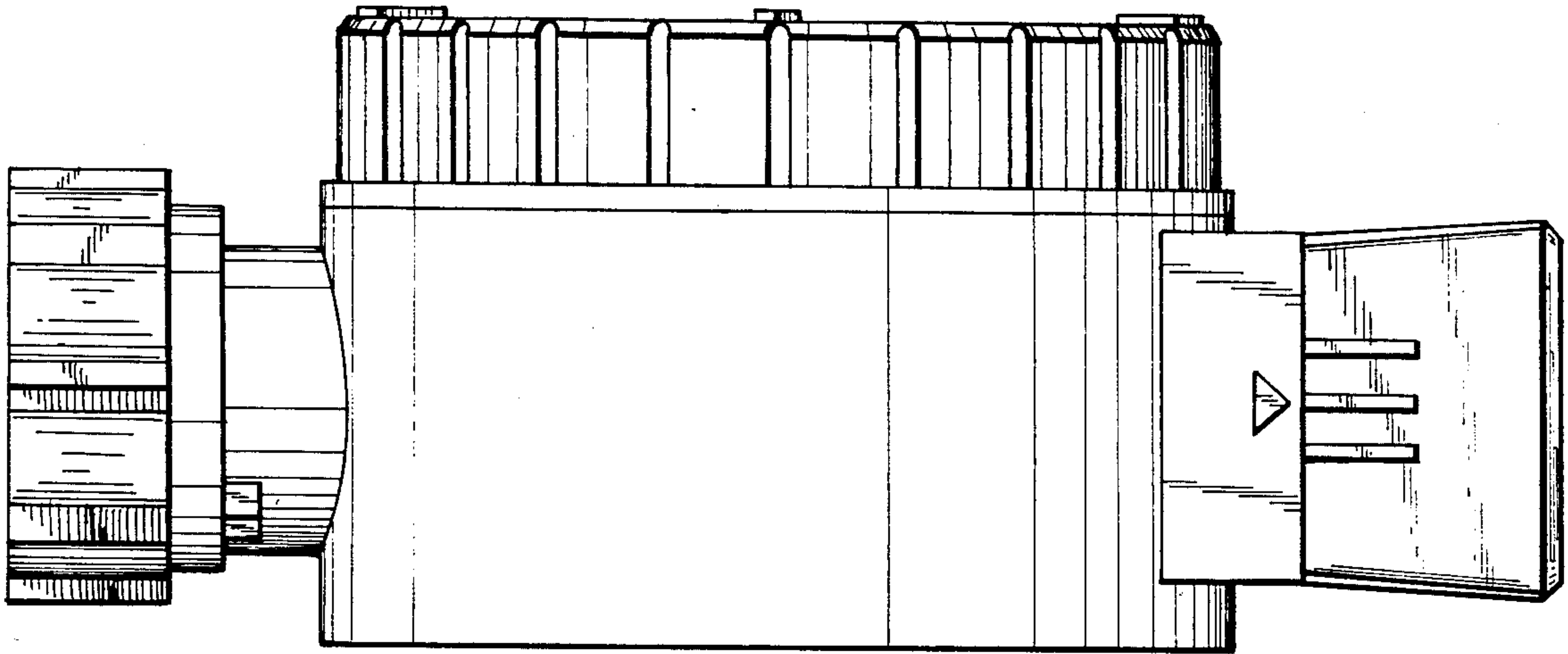


FIG. 3

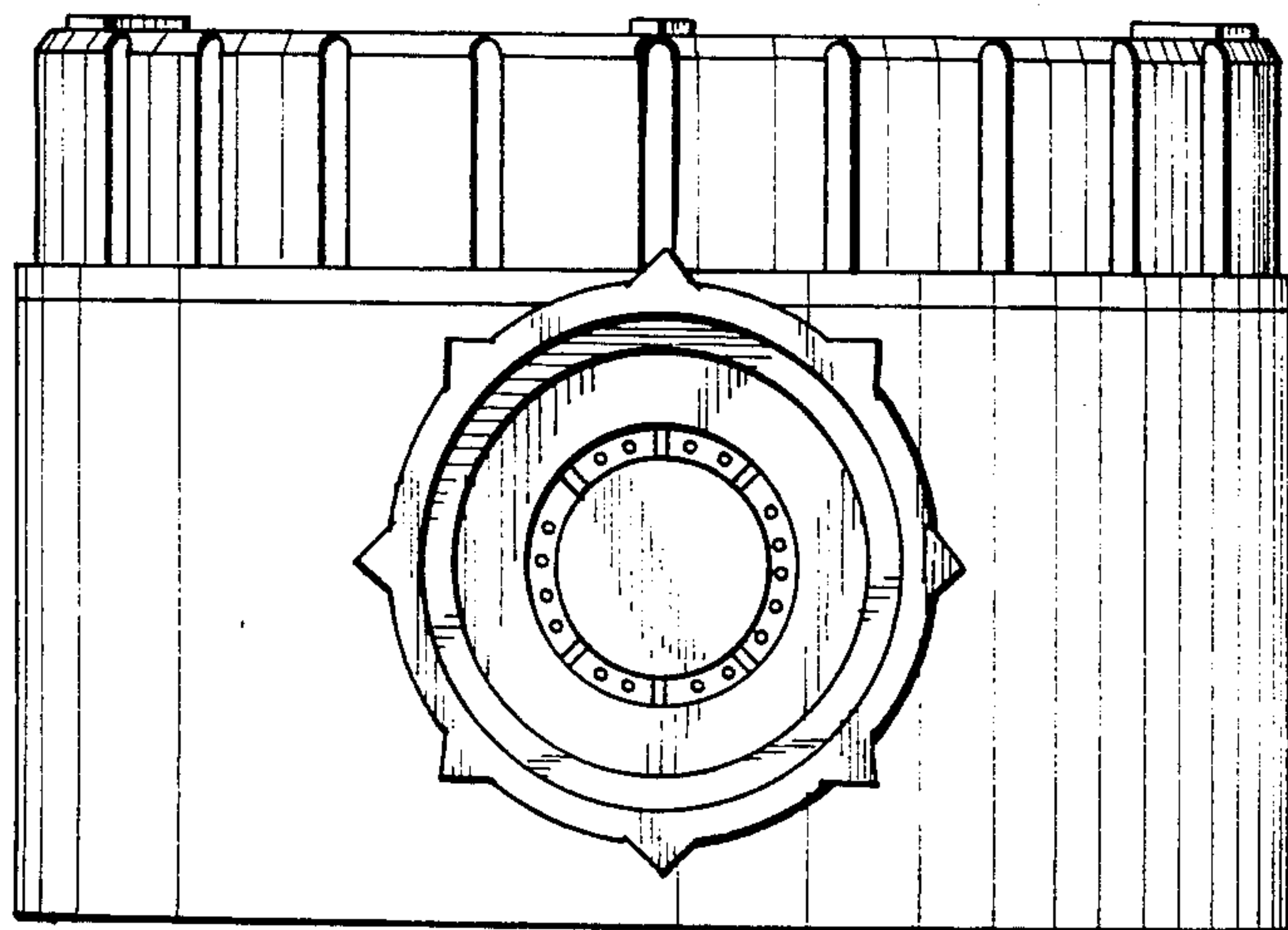


FIG. 5