

[54] **GOLF CLUB HEAD**

[76] **Inventor: Anthony J. Antonious, 205 E. Joppa Rd., Towson, Md. 21204**

[**] **Term: 14 Years**

[21] **Appl. No.: 847,890**

[22] **Filed: Apr. 4, 1986**

[52] **U.S. Cl. D21/217**

[58] **Field of Search D21/214-220; 273/167-175, 164**

[56] **References Cited**

U.S. PATENT DOCUMENTS

- D. 234,785 4/1975 Mills D21/217
- D. 259,732 6/1981 Vella D21/217

OTHER PUBLICATIONS

Golf Digest, Jun., 1985, p. 32, lower left, Putter.

Primary Examiner—Melvin B. Feifer

Attorney, Agent, or Firm—Nicholas J. Aquilino

[57] **CLAIM**

The ornamental design for a golf club head, as shown and described.

DESCRIPTION

FIG. 1 is a rear perspective view of the golf club head showing my new design.

FIG. 2 is a rear elevational view thereof.

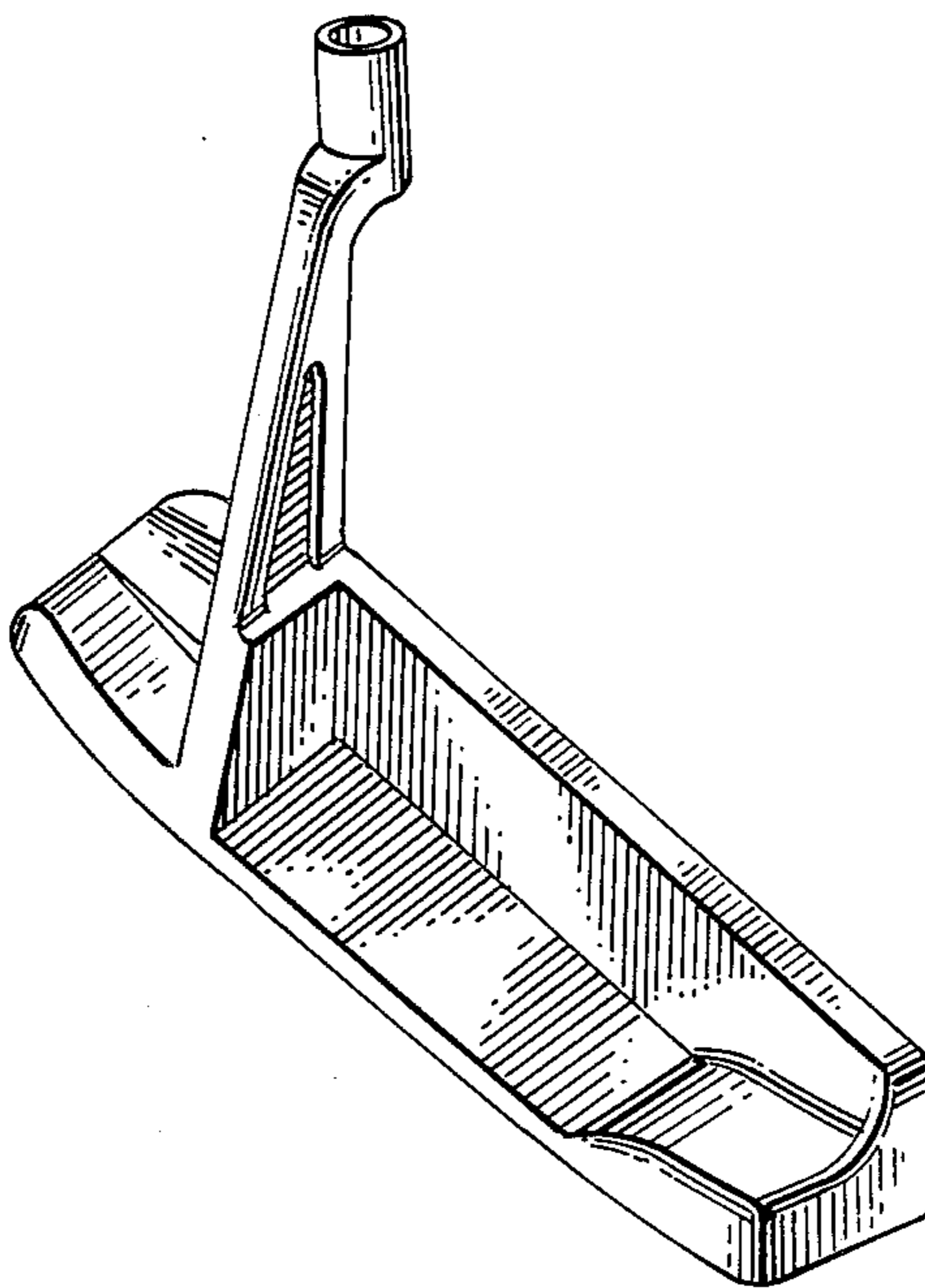
FIG. 3 is an end elevational view thereof.

FIG. 4 is a front elevational view thereof.

FIG. 5 is an end elevational view taken from the opposite side of FIG. 3.

FIG. 6 is a top plan view thereof.

FIG. 7 is a bottom view thereof.



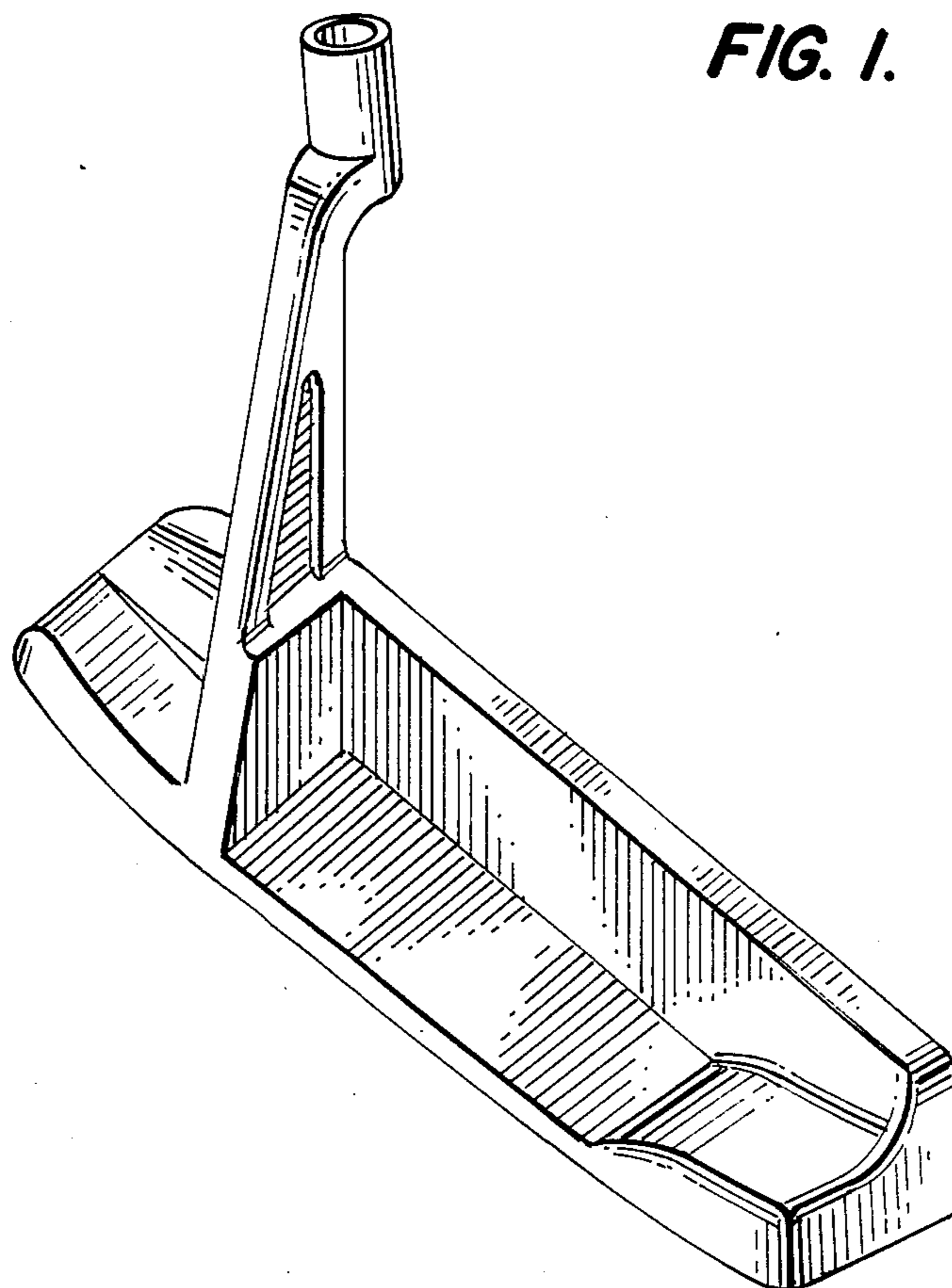


FIG. 1.

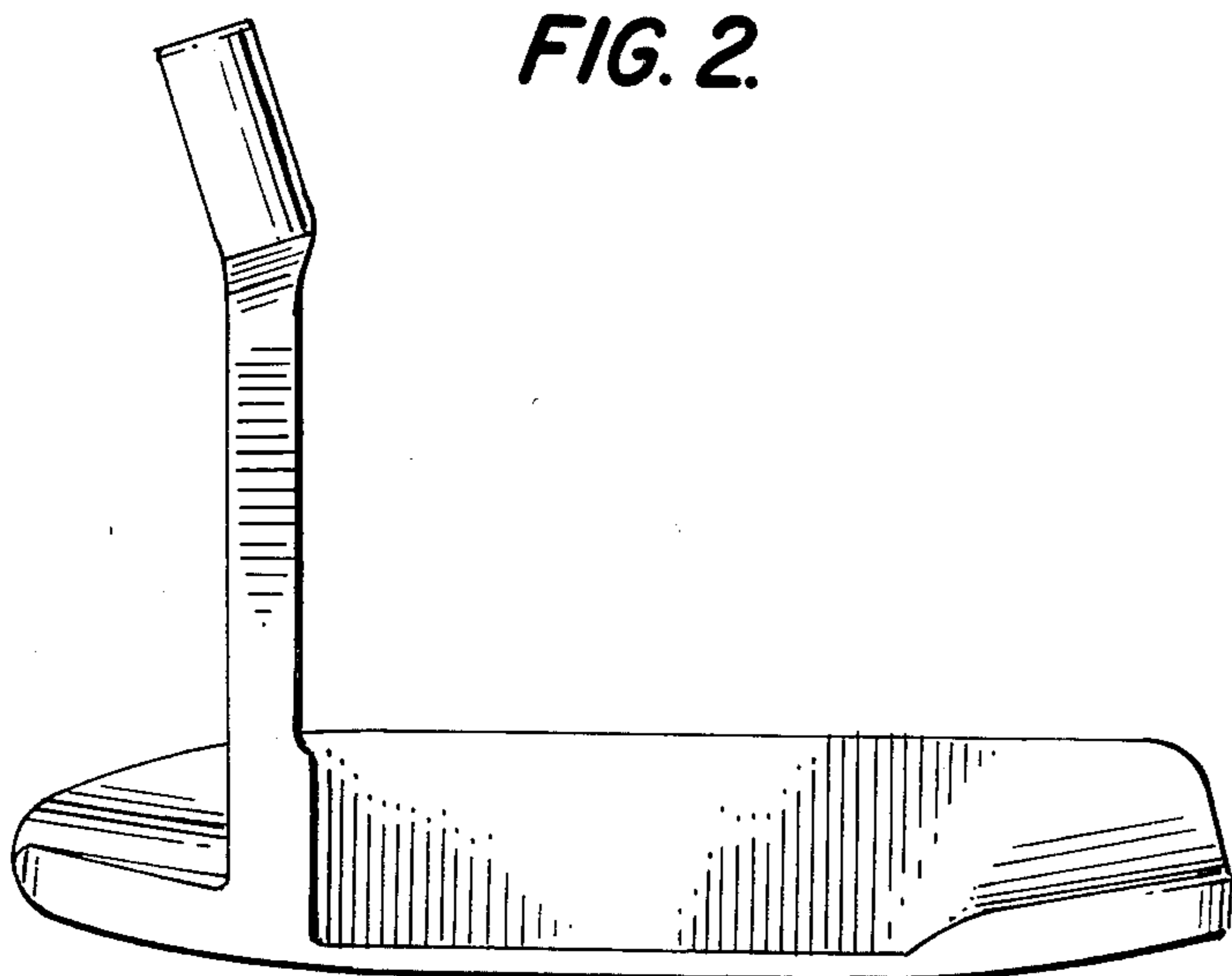


FIG. 2.

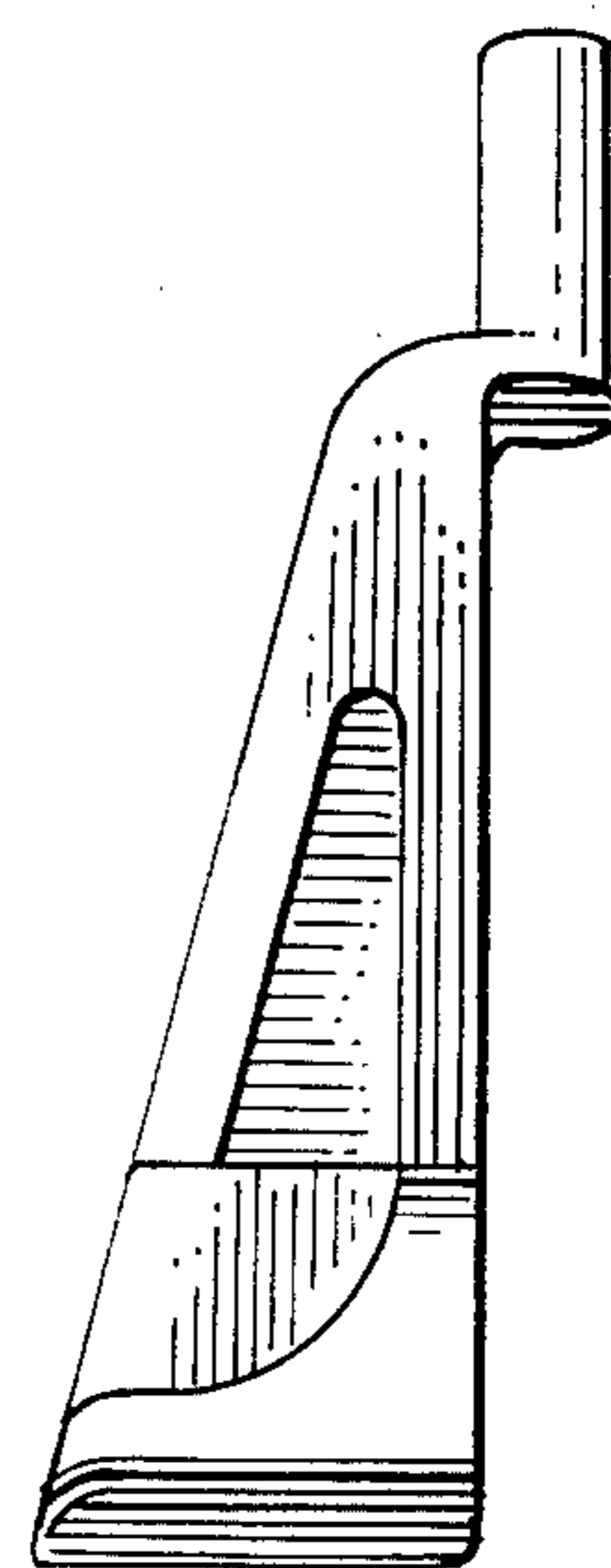


FIG. 3.

FIG. 4.

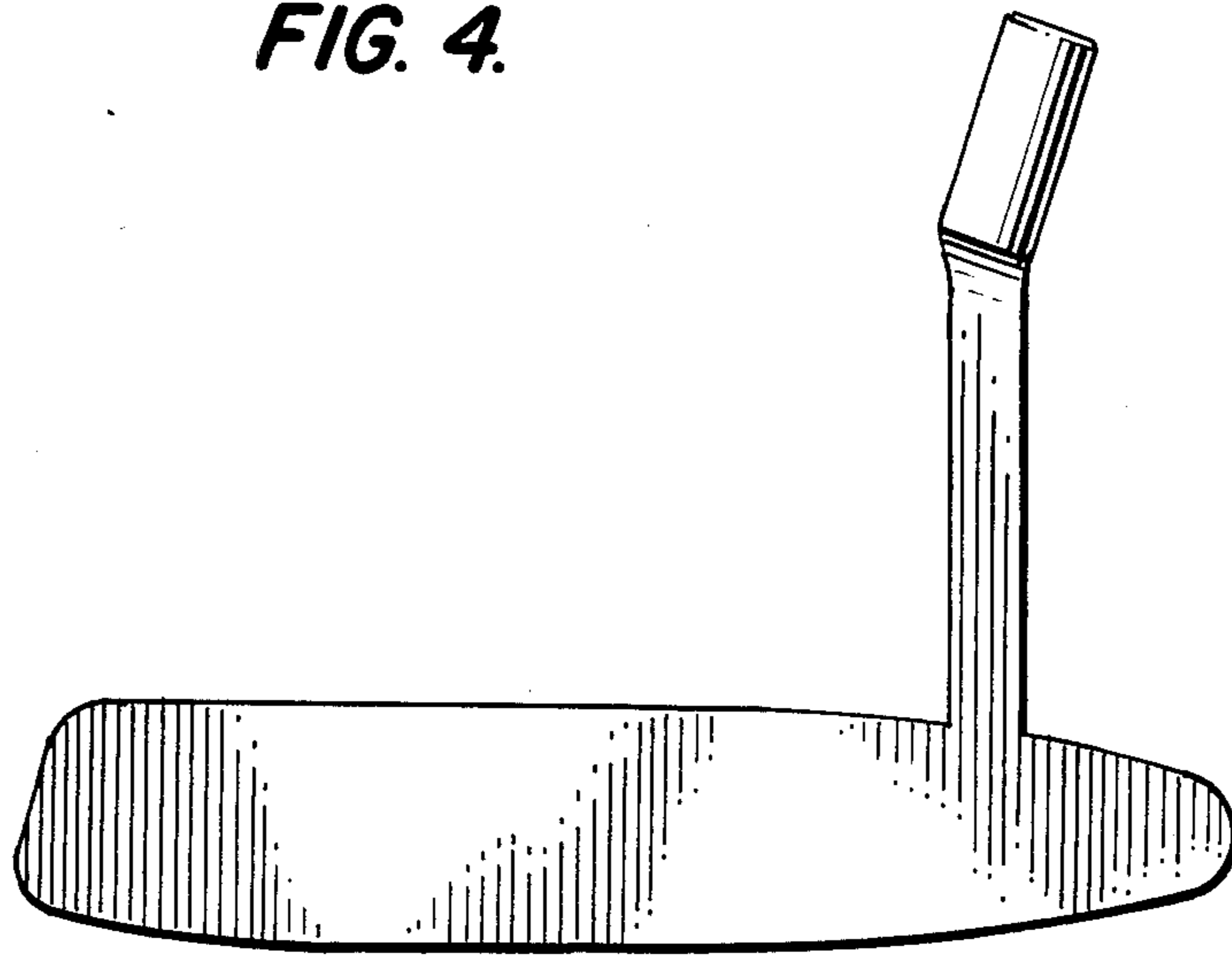


FIG. 5.

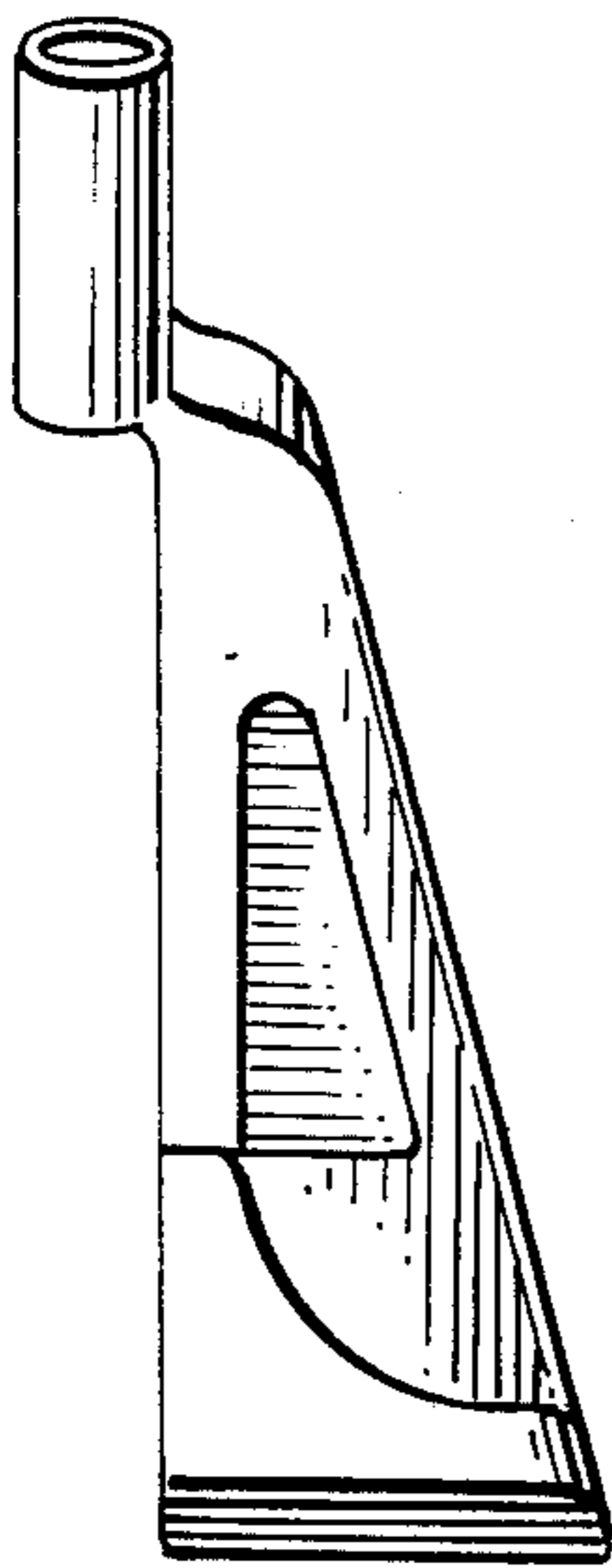


FIG. 6.

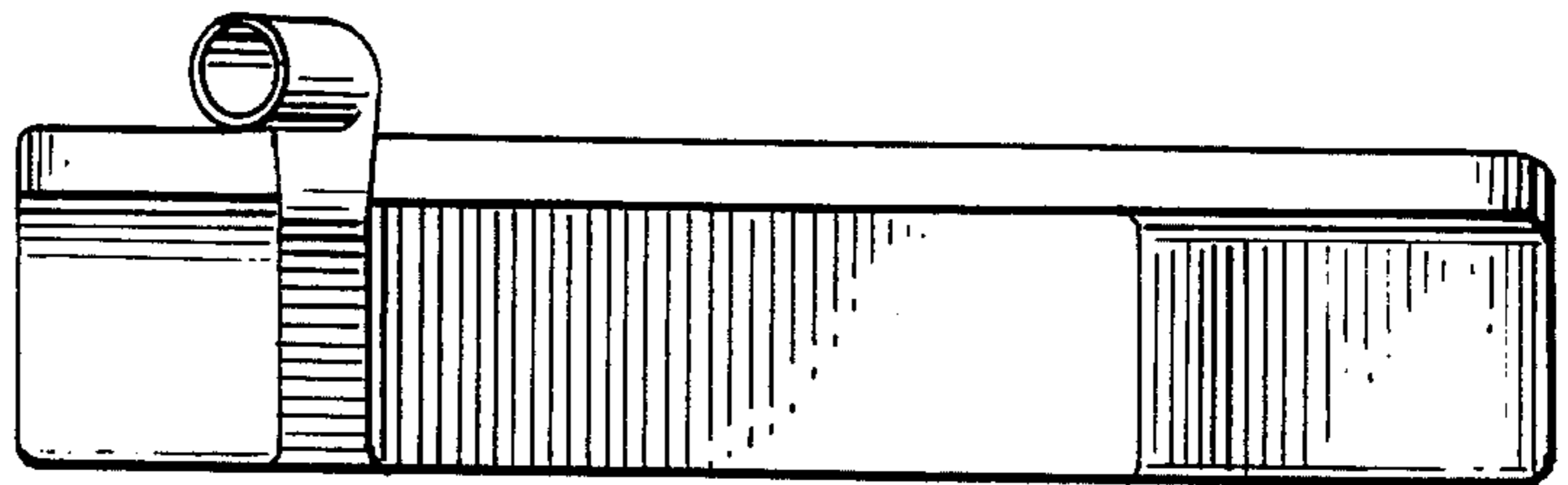


FIG. 7.

