

[54] **PHYSICAL EXERCISER**

[76] **Inventor: Sonja Giger, Tugginerweg 3,
4500-Solothurn, Switzerland**

[**] **Term: 14 Years**

[21] **Appl. No.: 805,171**

[22] **Filed: Nov. 18, 1985**

[30] **Foreign Application Priority Data**

Jun. 10, 1985 [XH] Hague DM/005 376
[52] **U.S. Cl. D21/191**
[58] **Field of Search D21/191-197;
272/70.3, 73, 132, DIG. 6; 73/379**

[56] **References Cited**

U.S. PATENT DOCUMENTS

D. 279,918	7/1985	Stumbaugh	D21/194
D. 283,151	3/1986	Knief	D21/194
2,388,777	11/1945	Wentz	272/73
2,668,709	2/1954	Boyko	272/73
3,381,958	5/1968	Gulland	272/73
3,759,511	9/1973	Zinkin et al.	272/73

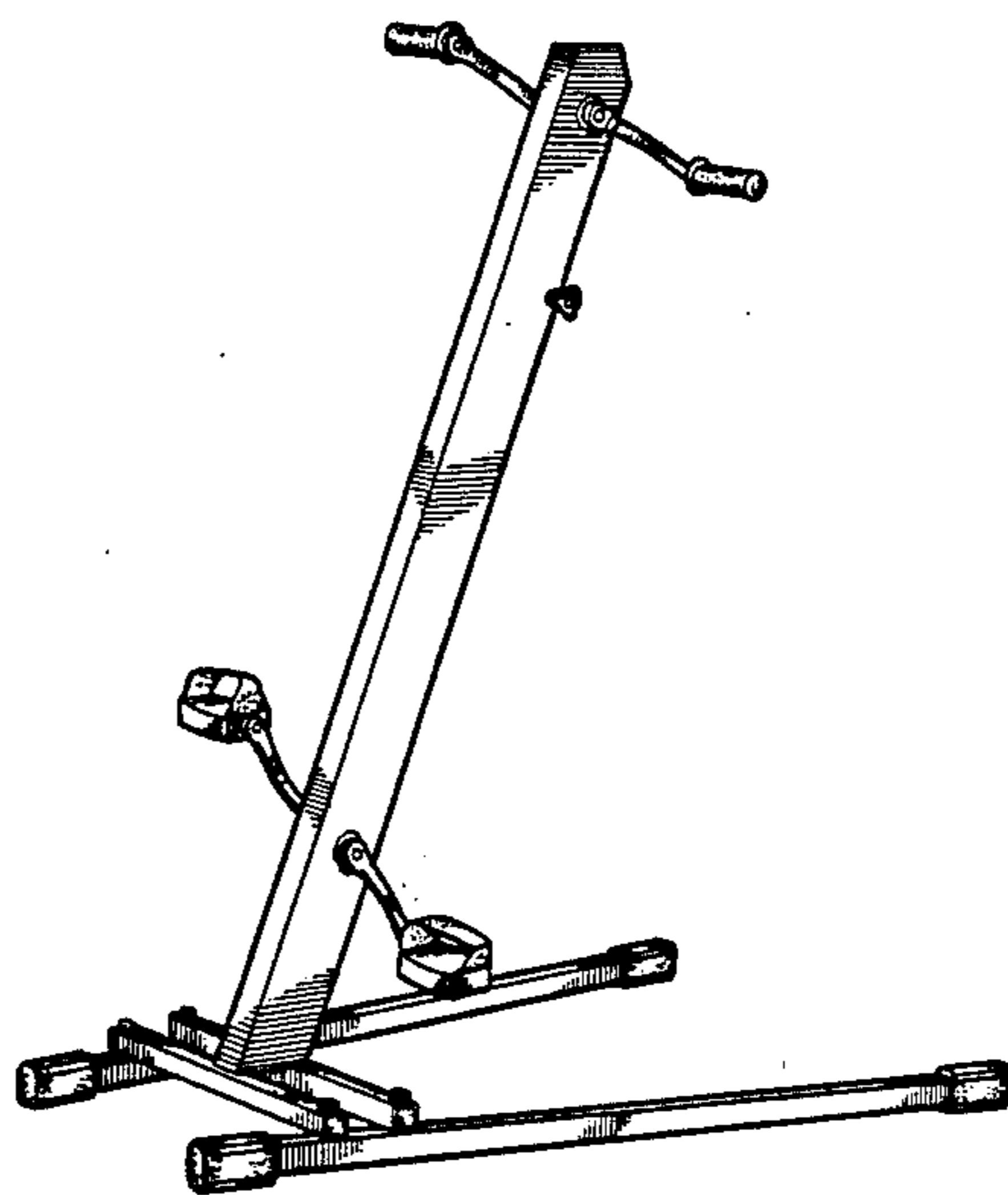
Primary Examiner—Charles A. Rademaker
Attorney, Agent, or Firm—Griffin, Branigan, & Butler

[57] **CLAIM**

The ornamental design for a physical exerciser, as shown and described.

DESCRIPTION

FIG. 1 is a side perspective view of a physical exerciser showing my new design; FIG. 2 is a front perspective view; and, FIG. 3 is a further side perspective view.



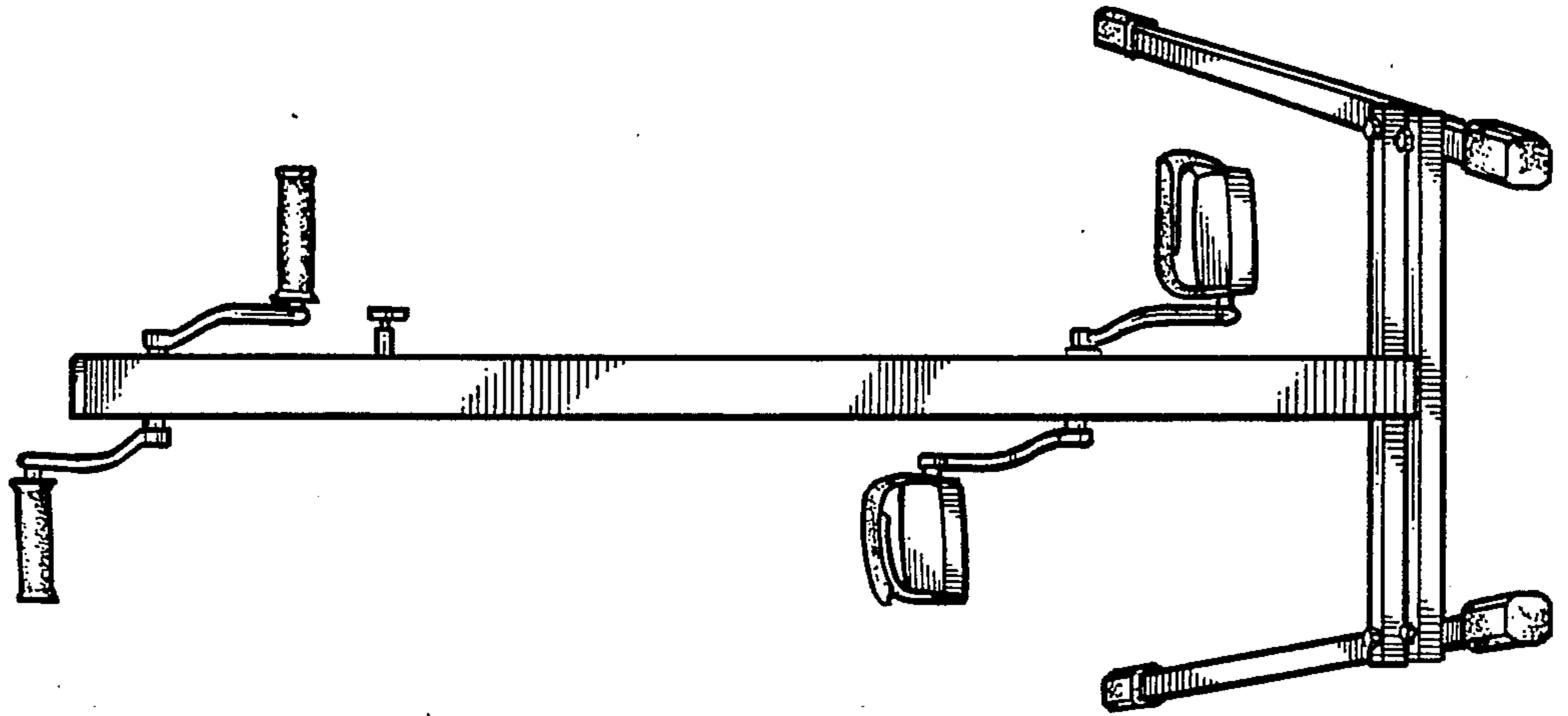


FIG. 2

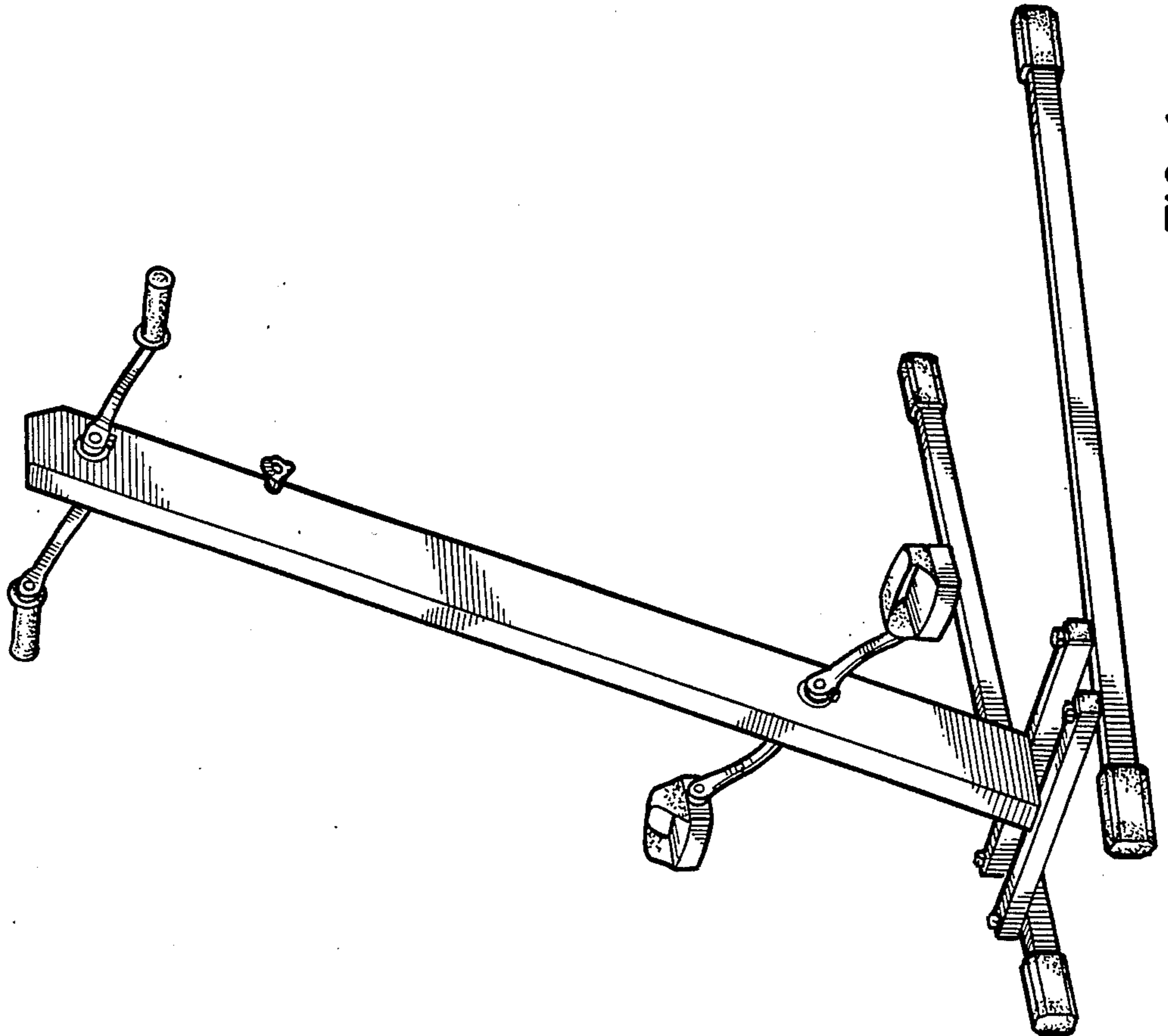


FIG. 1

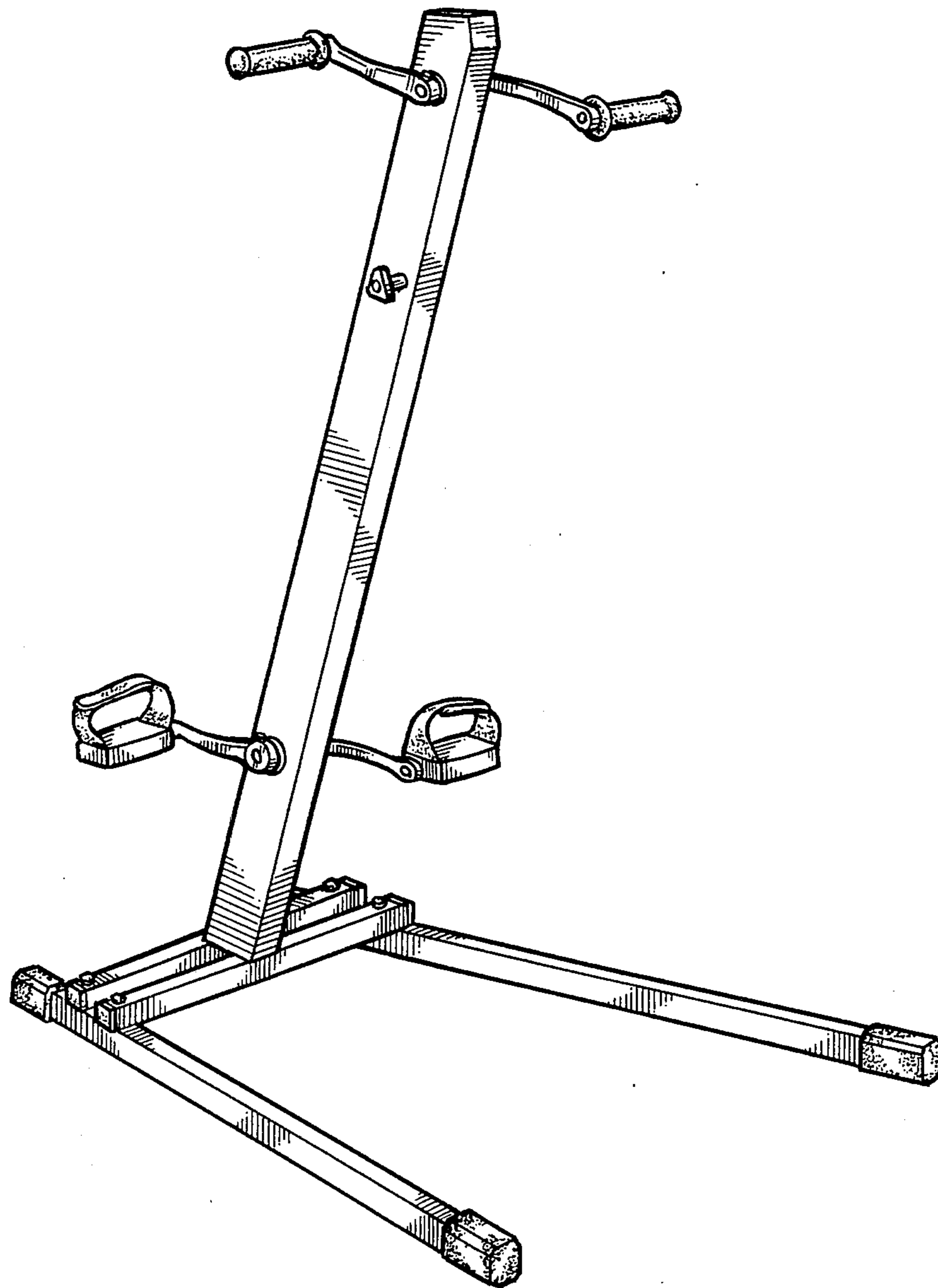


FIG. 3