

[54] **PENCIL SHARPENER**

[75] **Inventor: William Macowski, Caldwell, N.J.**

[73] **Assignee: Ketcham & McDougall, Inc.,
Roseland, N.J.**

[**] **Term: 14 Years**

[21] **Appl. No.: 747,756**

[22] **Filed: Jun. 24, 1985**

[52] **U.S. Cl. D19/73**

[58] **Field of Search D19/73, 74;
144/28.1-28.11, 28.6, 28.72**

[56] **References Cited**

U.S. PATENT DOCUMENTS

- D. 211,297 6/1968 Zar et al. D19/73
D. 219,318 11/1970 Macowski D19/73

FOREIGN PATENT DOCUMENTS

2948086 11/1979 Fed. Rep. of Germany ... 144/28.11

OTHER PUBLICATIONS

OA Magazine, 6-1964, p. 18, "Boston Electric", sharpener.

Primary Examiner—Charles A. Rademaker
Attorney, Agent, or Firm—Edwin E. Greigg

[57] **CLAIM**

The ornamental design for pencil sharpener, as shown and described.

DESCRIPTION

FIG. 1 is a perspective view of a pencil sharpener showing my new design;

FIG. 2 is a right side elevational view thereof, the left side elevational view being substantially a mirror image;

FIG. 3 is a top plan view;

FIG. 4 is a bottom plan view; and,

FIG. 5 is a rear elevational view.

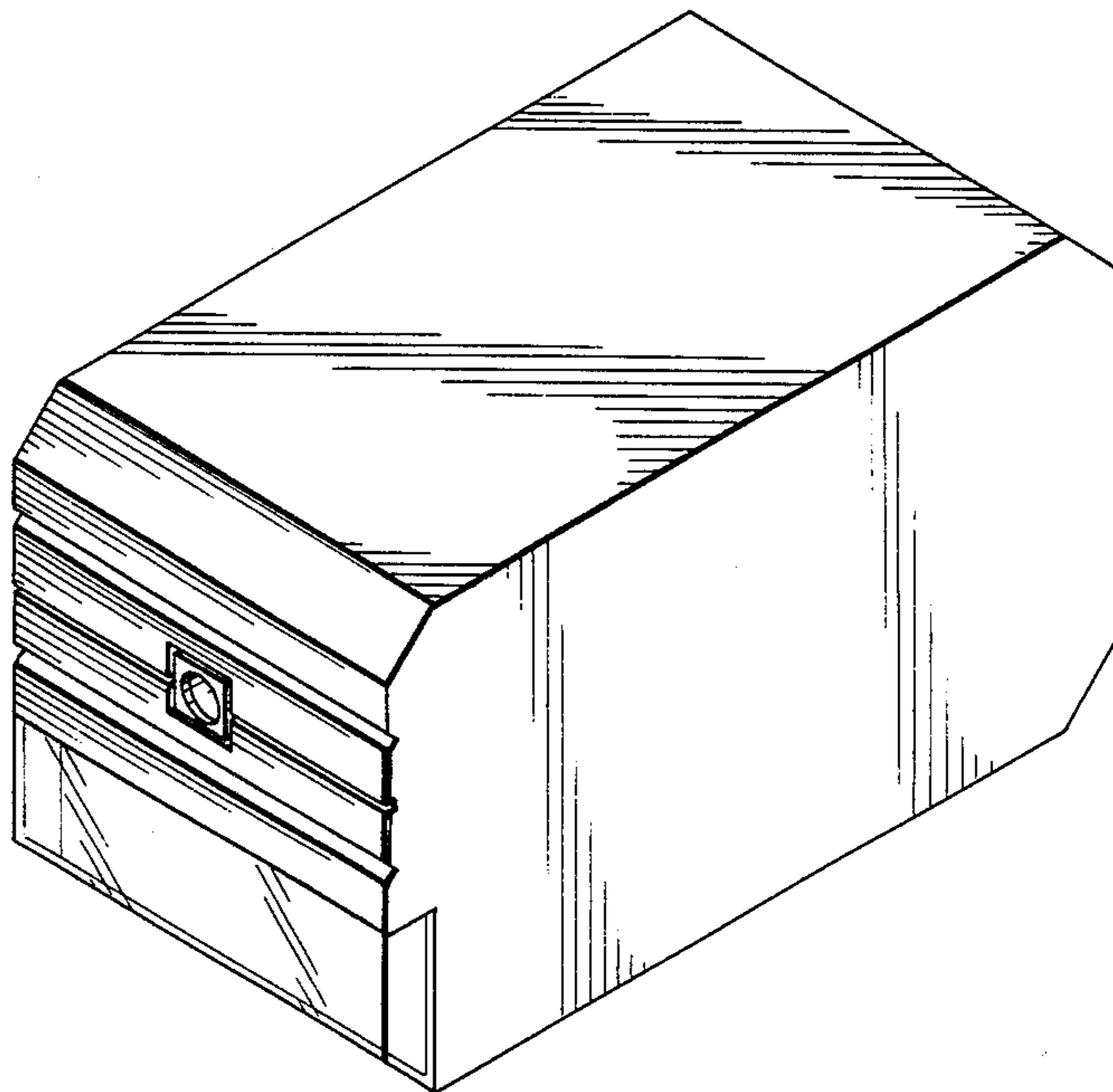


FIG 1

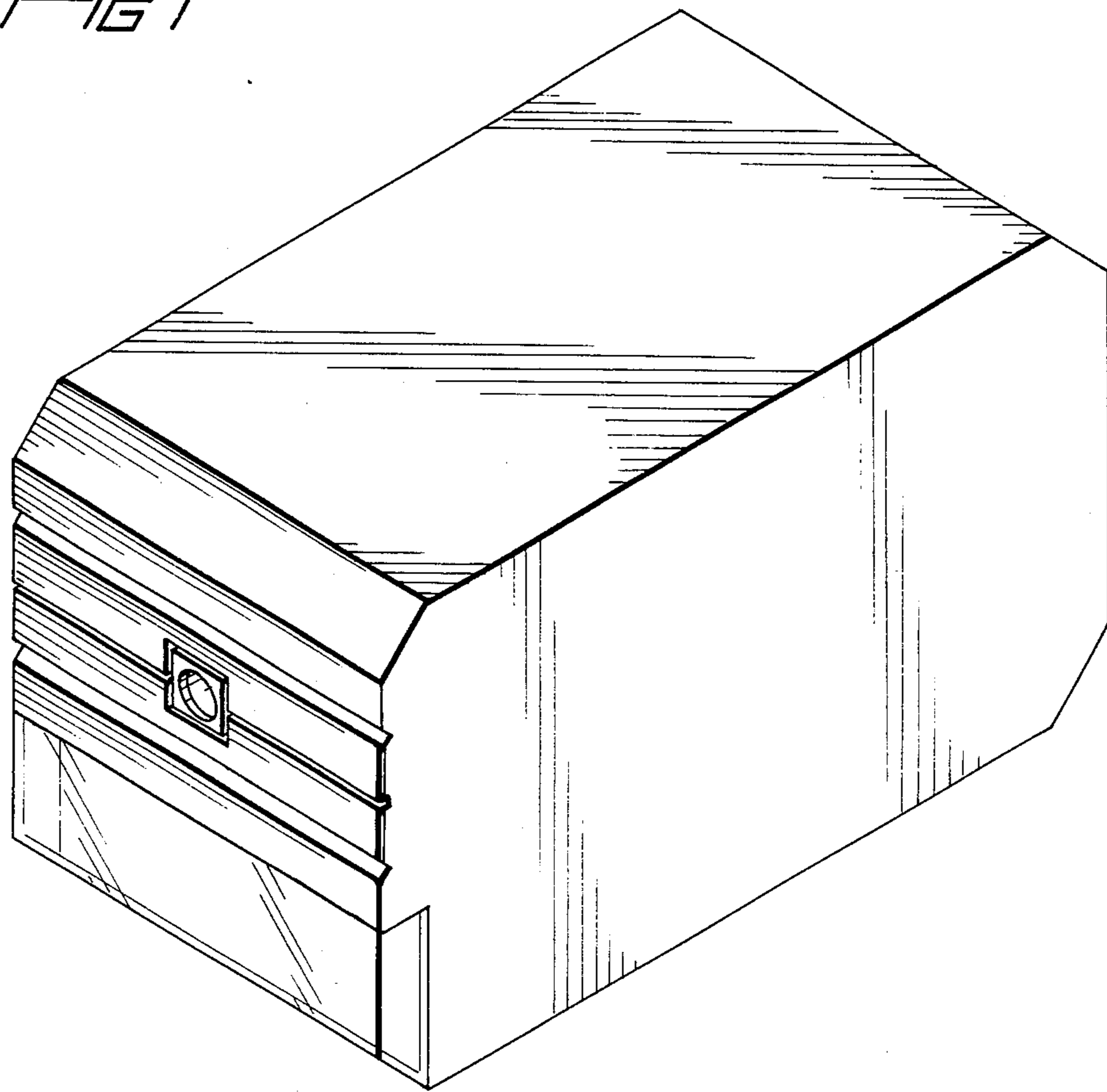
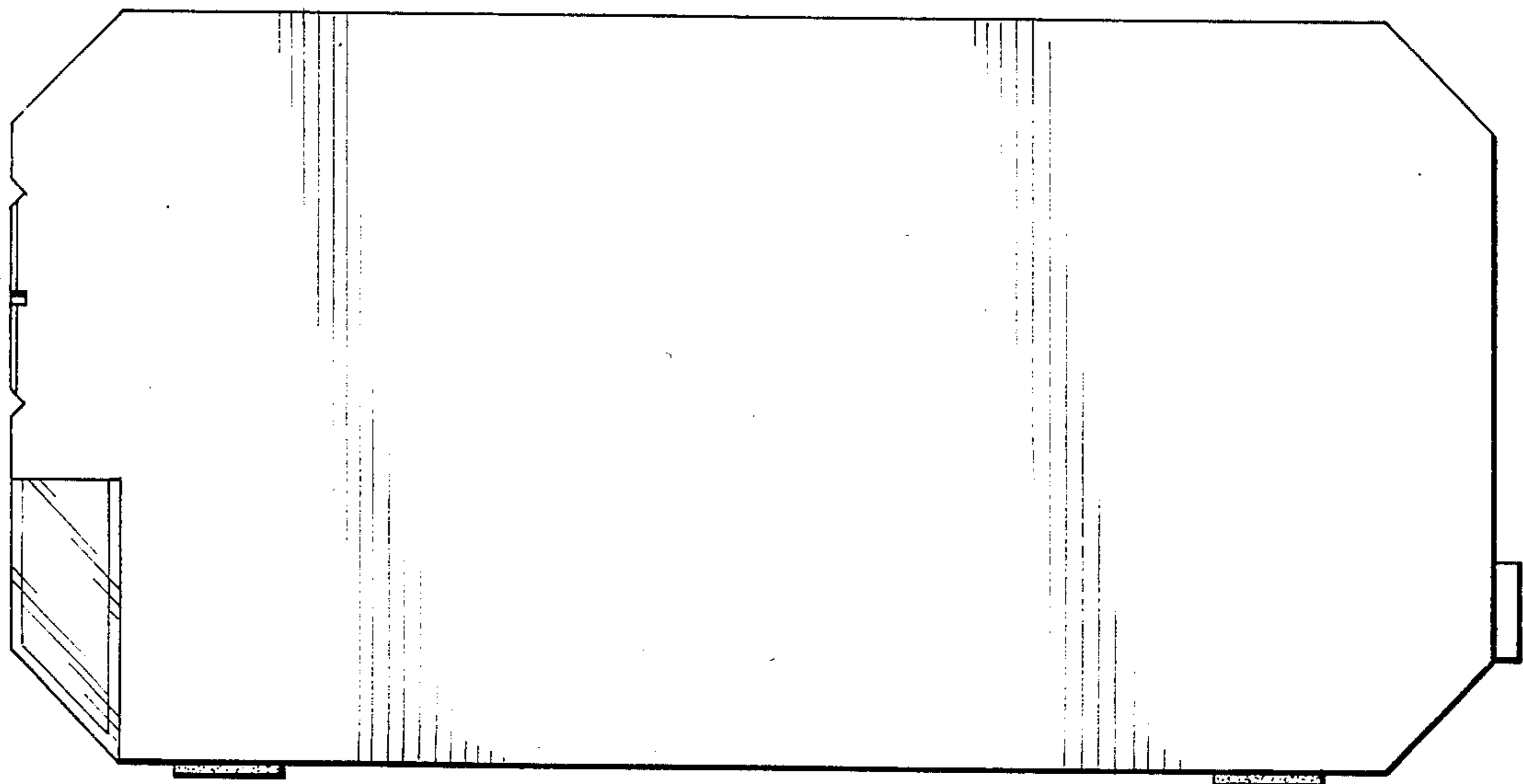


FIG 2



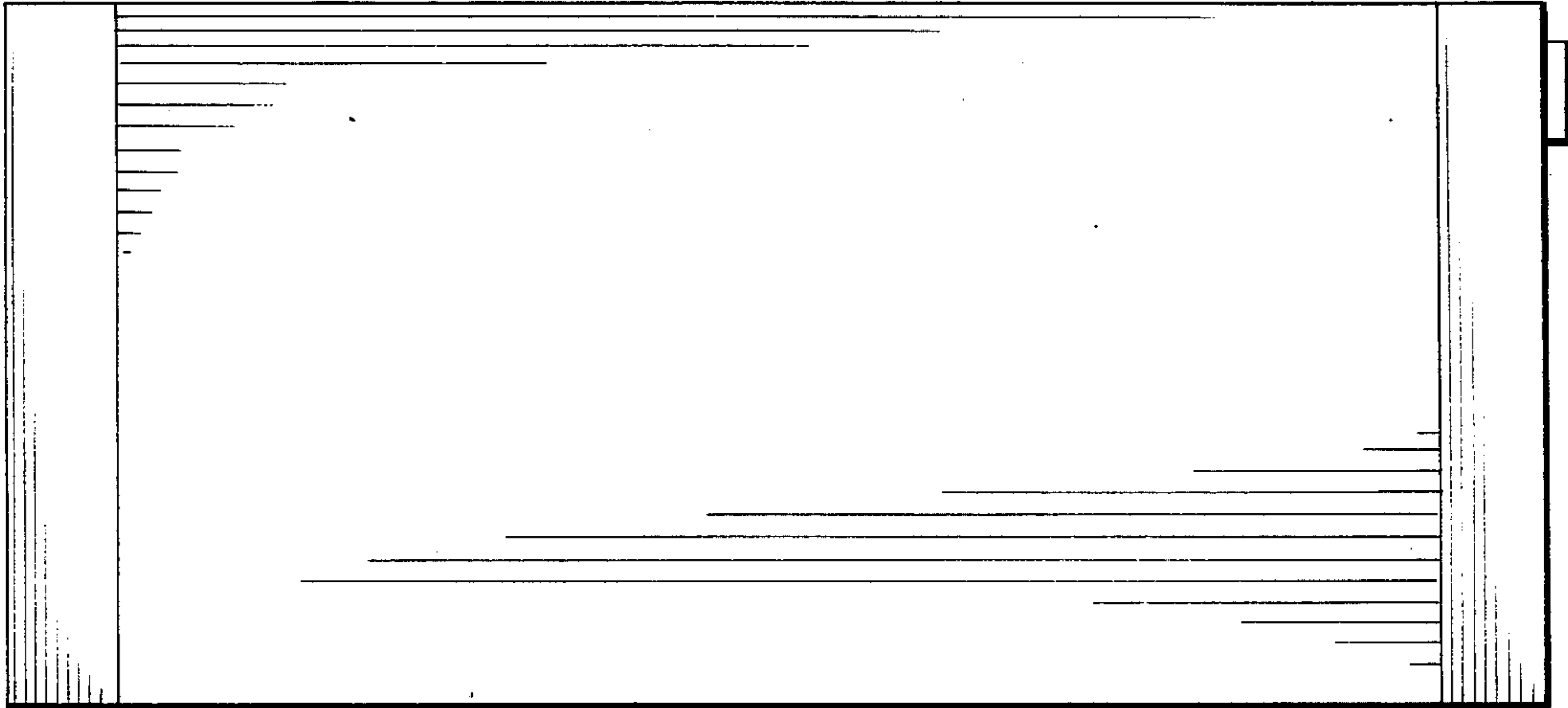


FIG 3

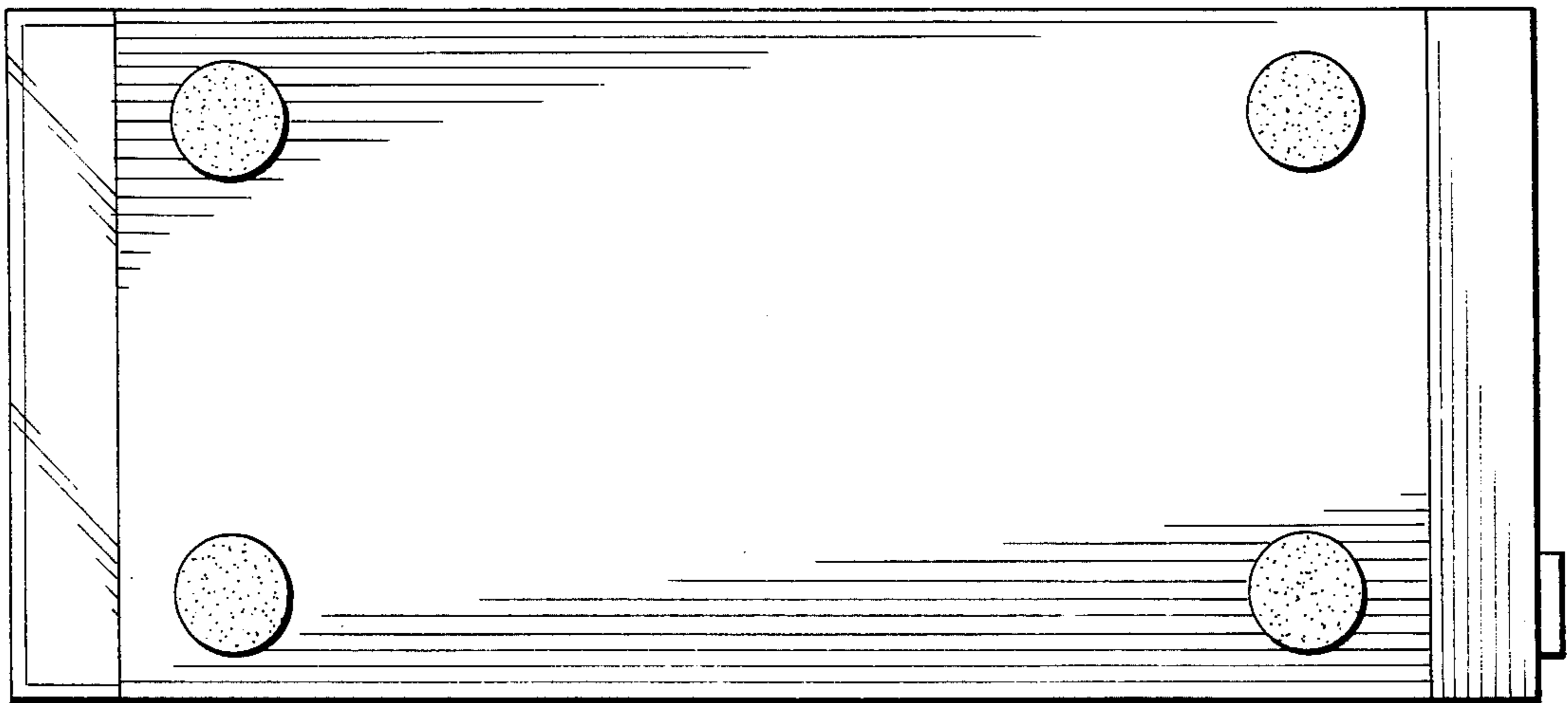


FIG 4

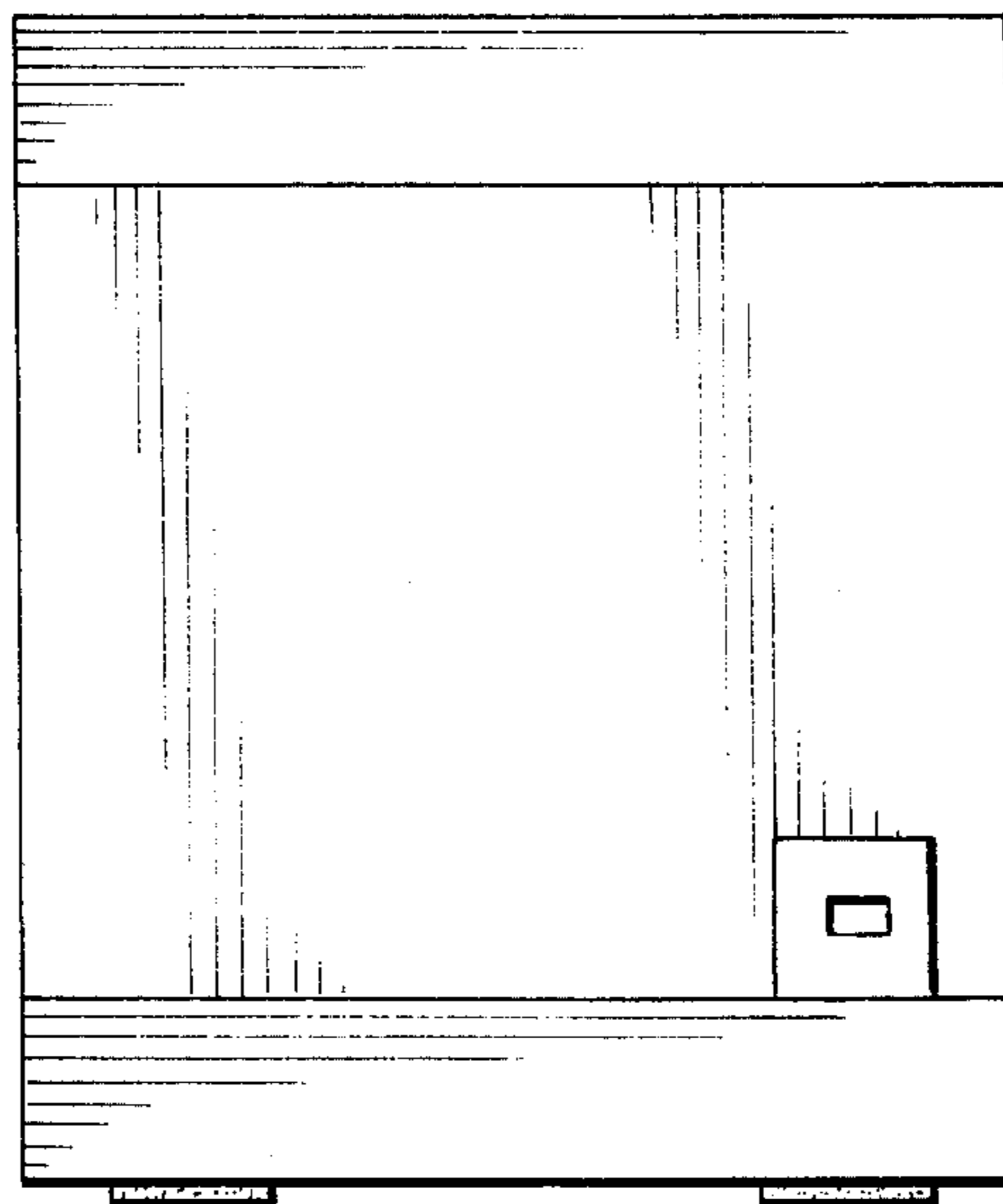


FIG 5