

United States Patent [19]

Söderberg et al.

[11] Patent Number: **Des. 298,839**

[45] Date of Patent: **** Dec. 6, 1988**

[54] **COMBINED MASKING TAPE DISPENSER AND LOCK**

[75] Inventors: **Hans Söderberg, Fösabacken; Olof Engwall, Lidingö, both of Sweden**

[73] Assignee: **Sprayway Maskin AB, Stockholm, Sweden**

[**] Term: **14 Years**

[21] Appl. No.: **812,908**

[22] Filed: **Dec. 23, 1985**

[30] **Foreign Application Priority Data**

Jun. 28, 1985 [SE] Sweden 85-1654

[52] U.S. Cl. **D19/69**

[58] Field of Search **D19/67-69; 225/6, 77, 56, 45, 89; 312/39**

[56] **References Cited**

U.S. PATENT DOCUMENTS

D. 192,455 3/1962 Castelli D19/69
897,086 8/1908 Grand 225/56

1,869,729 8/1932 Zuckerman 225/56

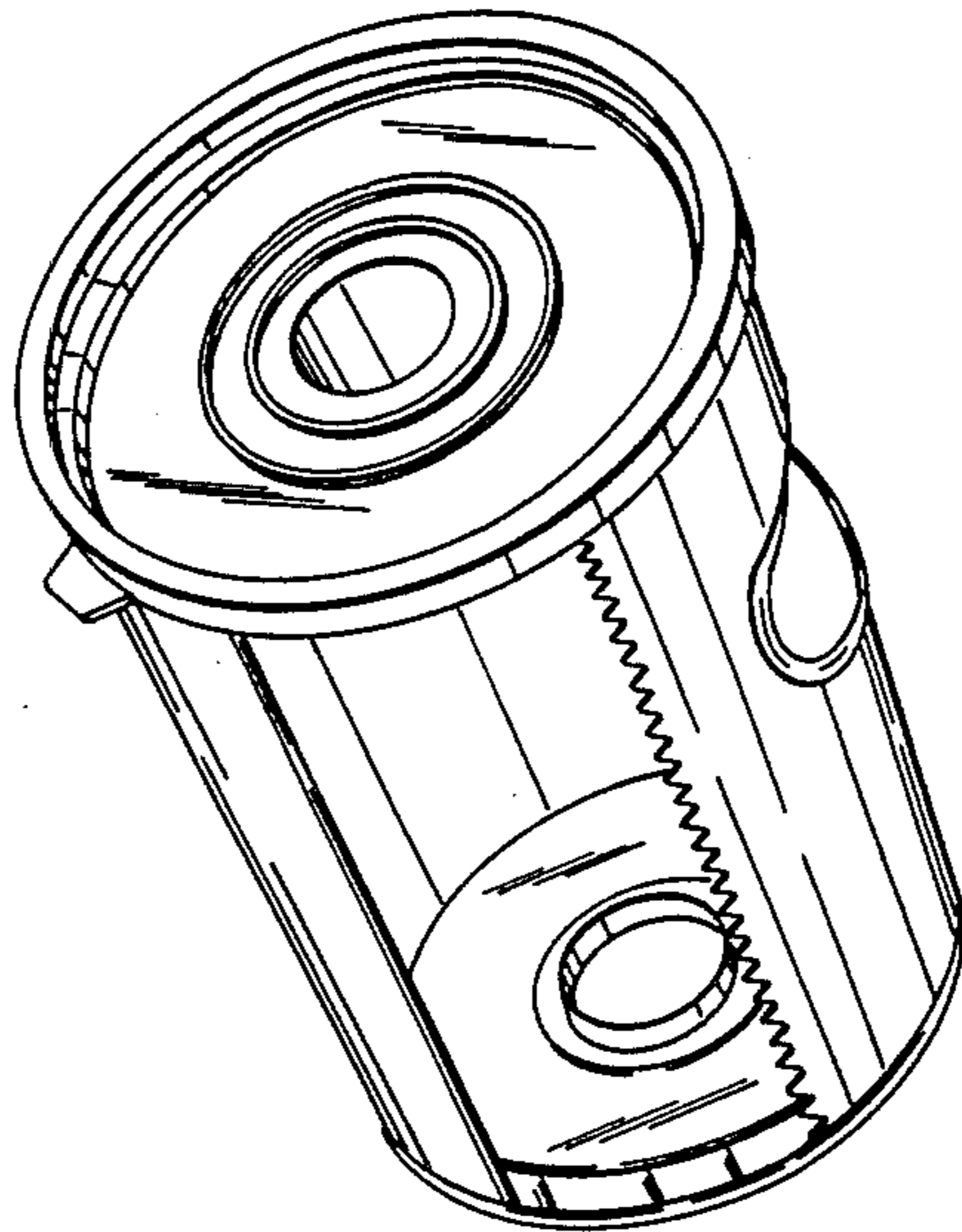
Primary Examiner—Charles A. Rademaker
Attorney, Agent, or Firm—Ciotti & Mirashige, Irell & Manella

[57] **CLAIM**

The ornamental design for a combined masking tape dispenser and lock, as shown and described.

DESCRIPTION

FIG. 1 is a perspective view of a combined masking tape dispenser and lock showing our new design;
FIG. 2 is a perspective view of the side opposite that shown in FIG. 1;
FIG. 3 is a bottom plan view thereof;
FIG. 4 is a top perspective view of the design shown in FIGS. 1 through 3 with the lock removed;
FIG. 5 is a perspective view of the side opposite that shown in FIG. 4;
FIG. 6 is a top plan view thereof;
FIG. 7 is a top perspective view of the lock member; and
FIG. 8 is a bottom perspective view thereof.



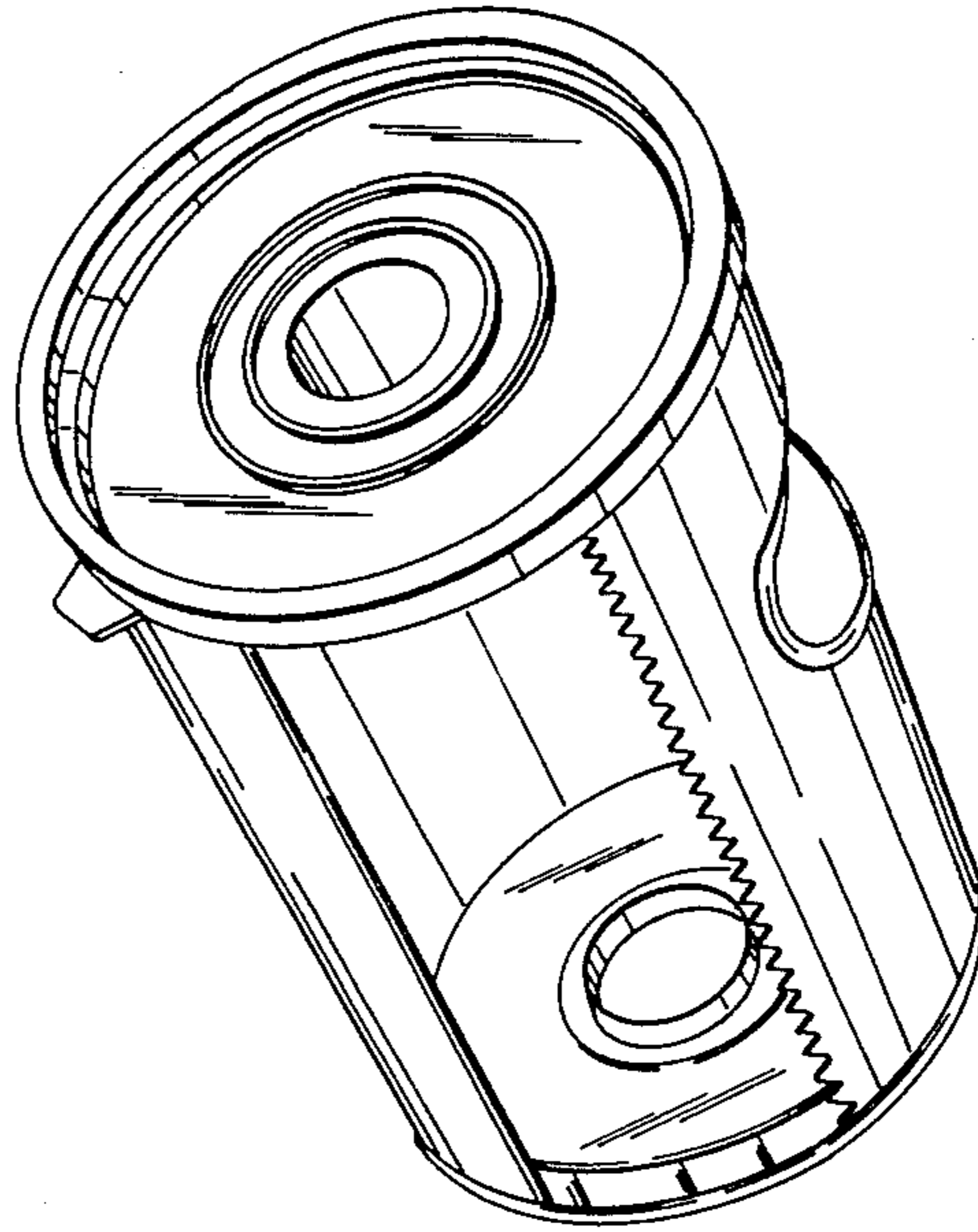


FIGURE 1

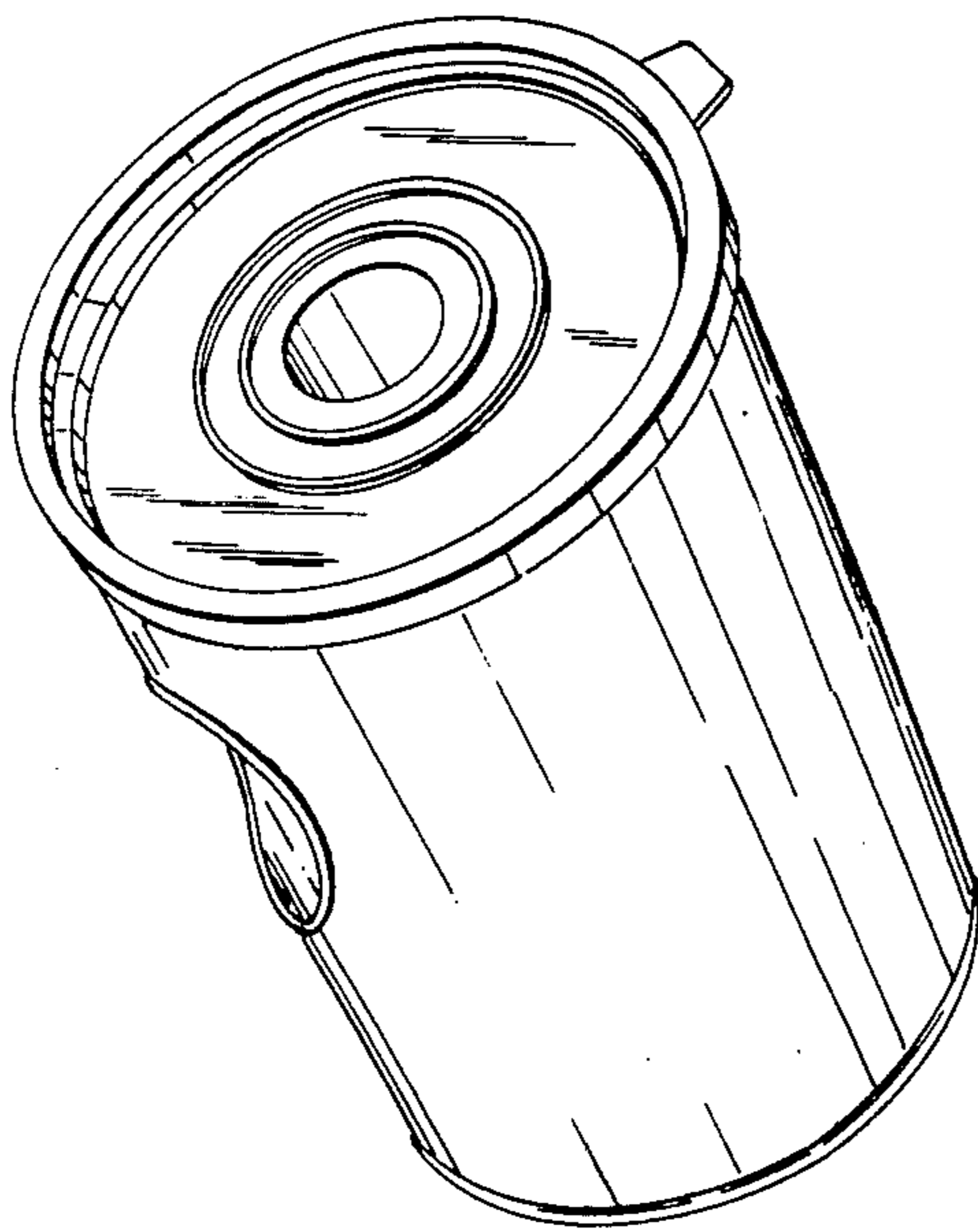


FIGURE 2

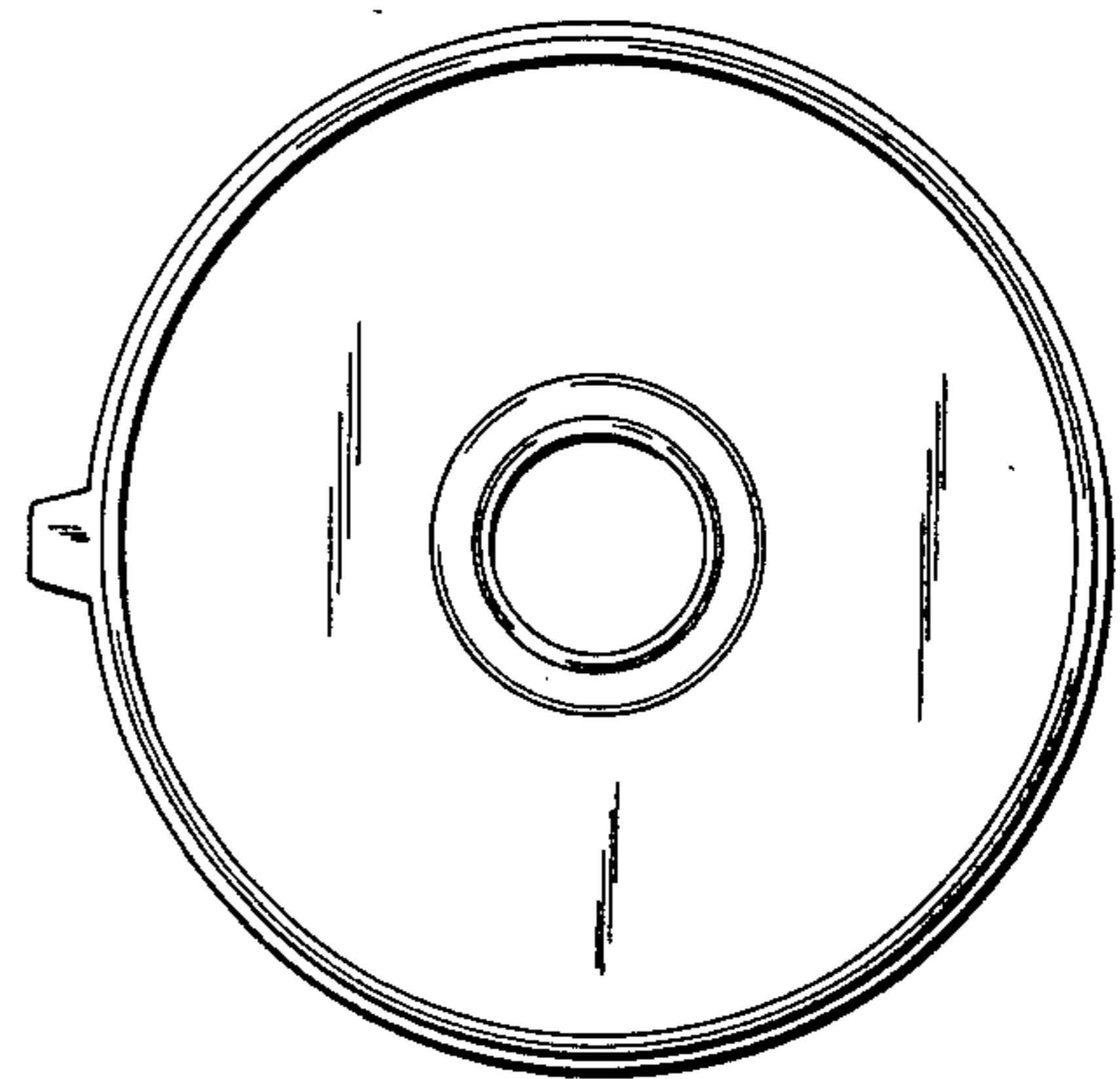


FIGURE 3

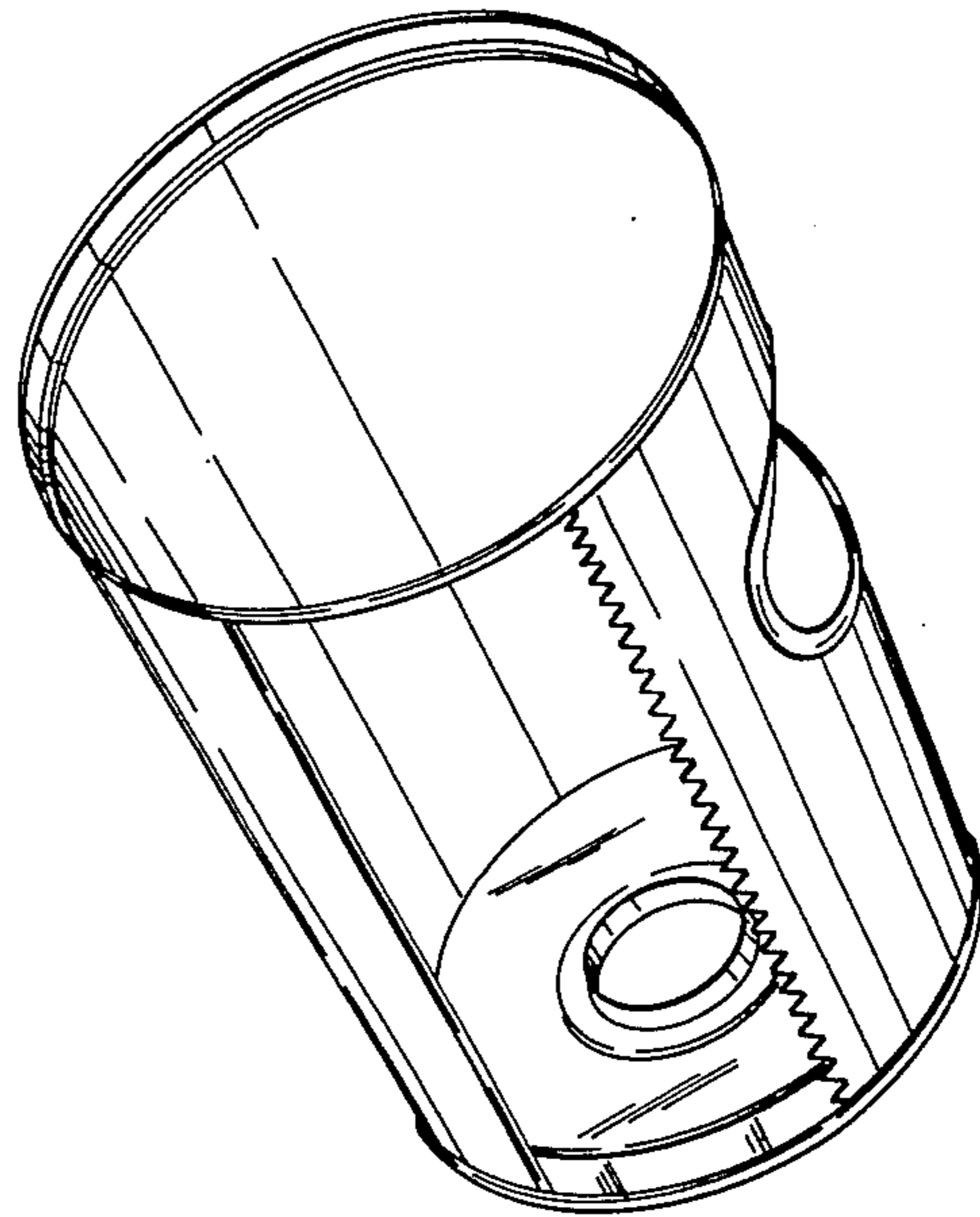


FIGURE 4

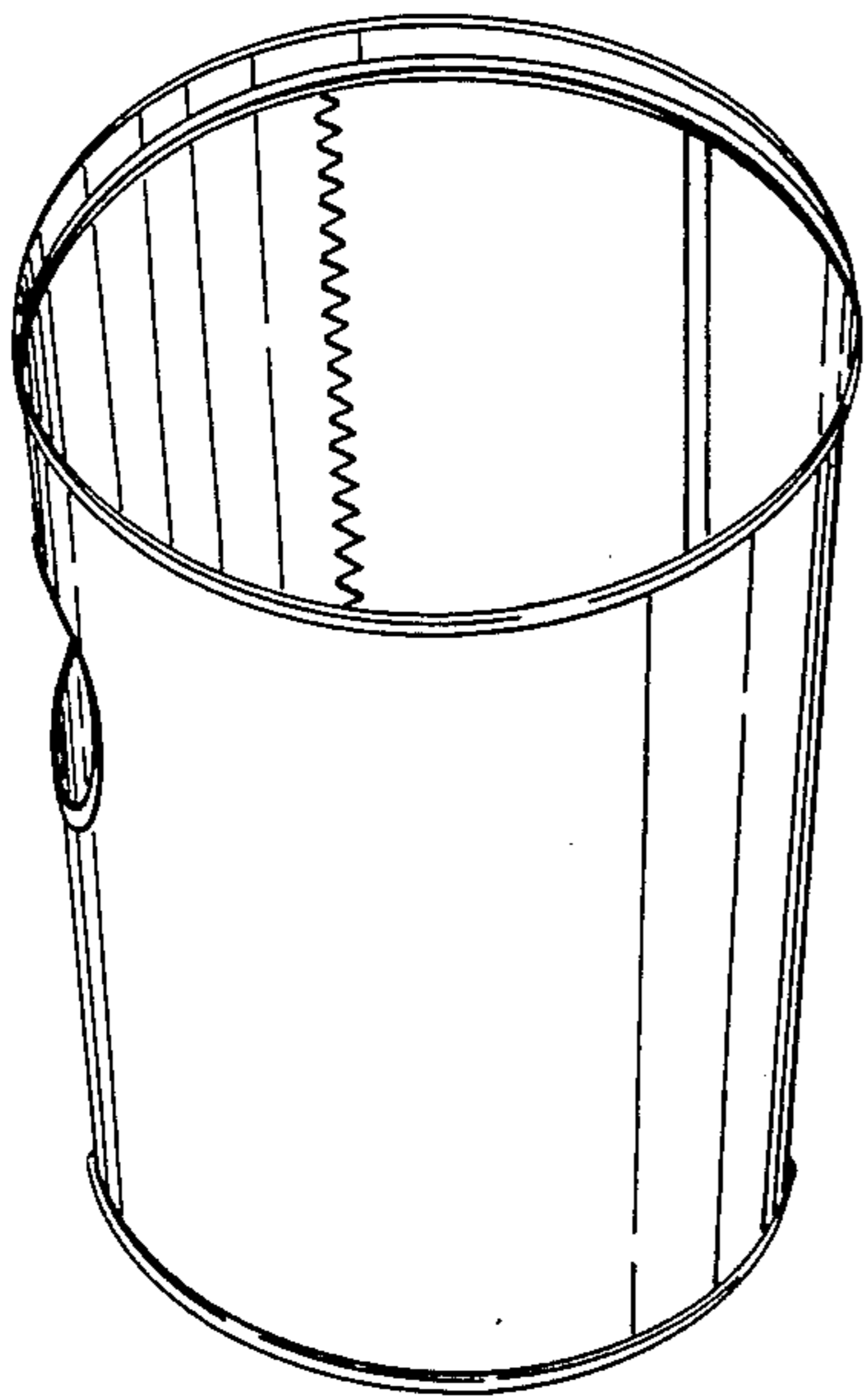


FIGURE 5

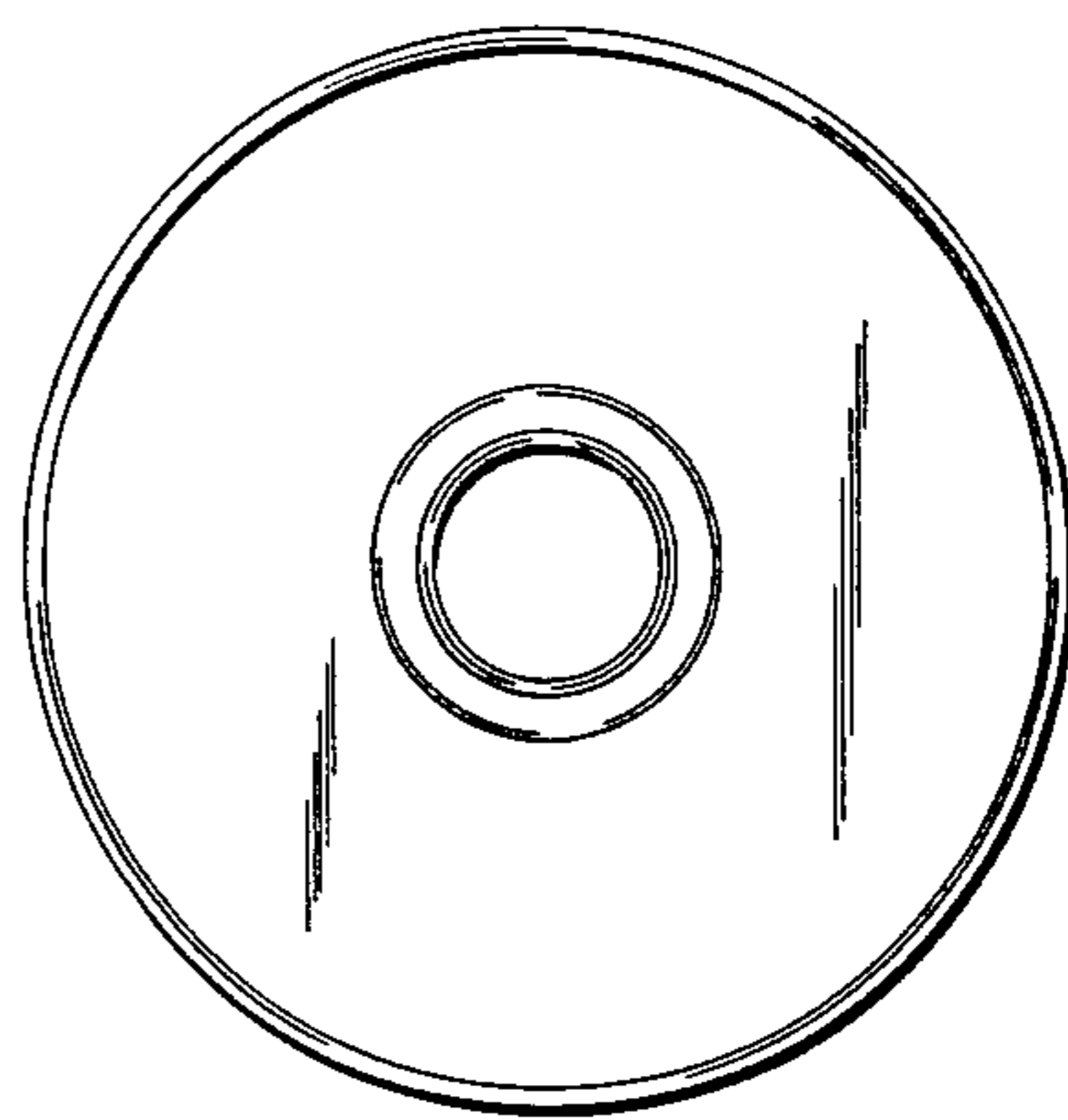


FIGURE 6

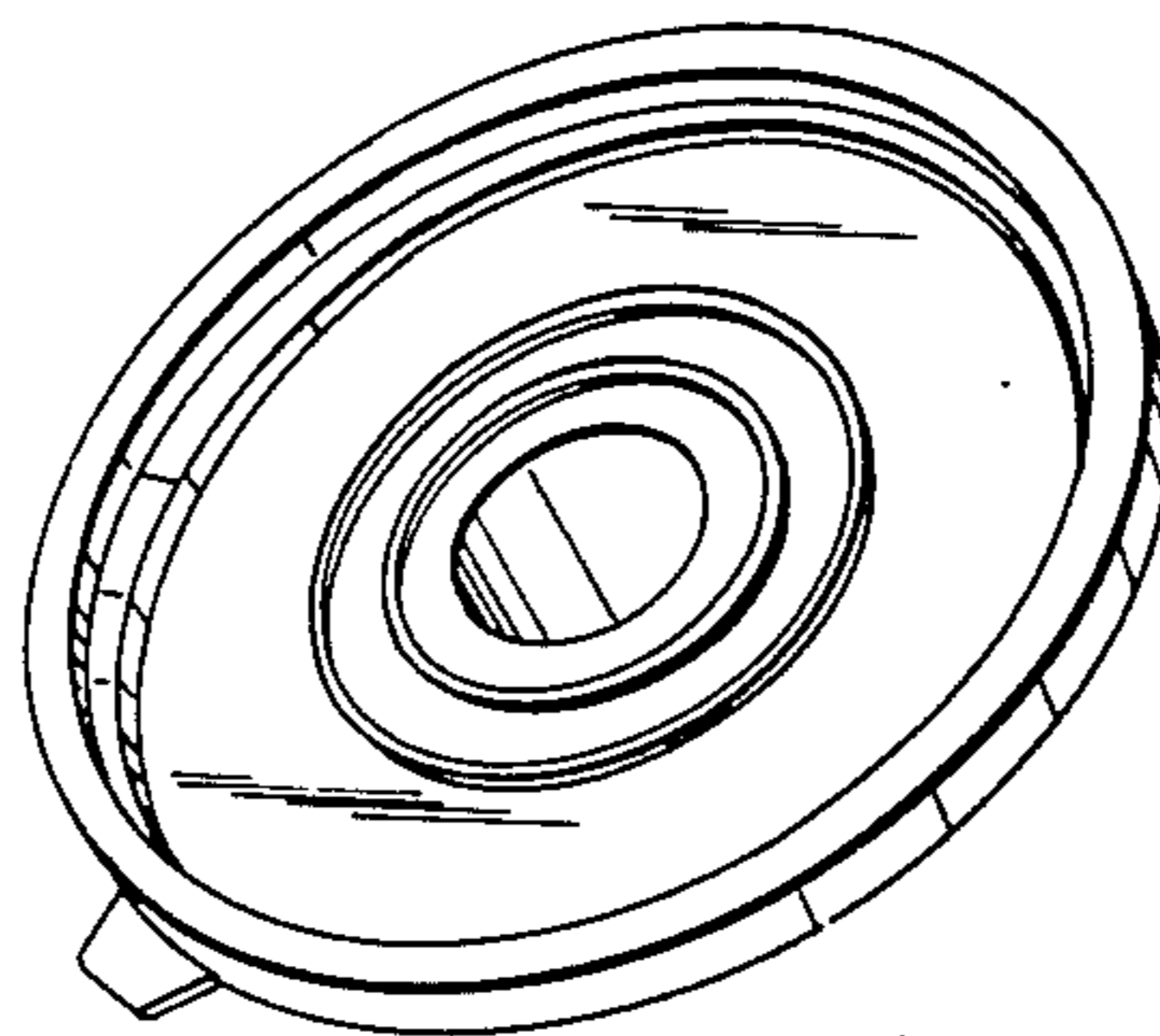


FIGURE 7

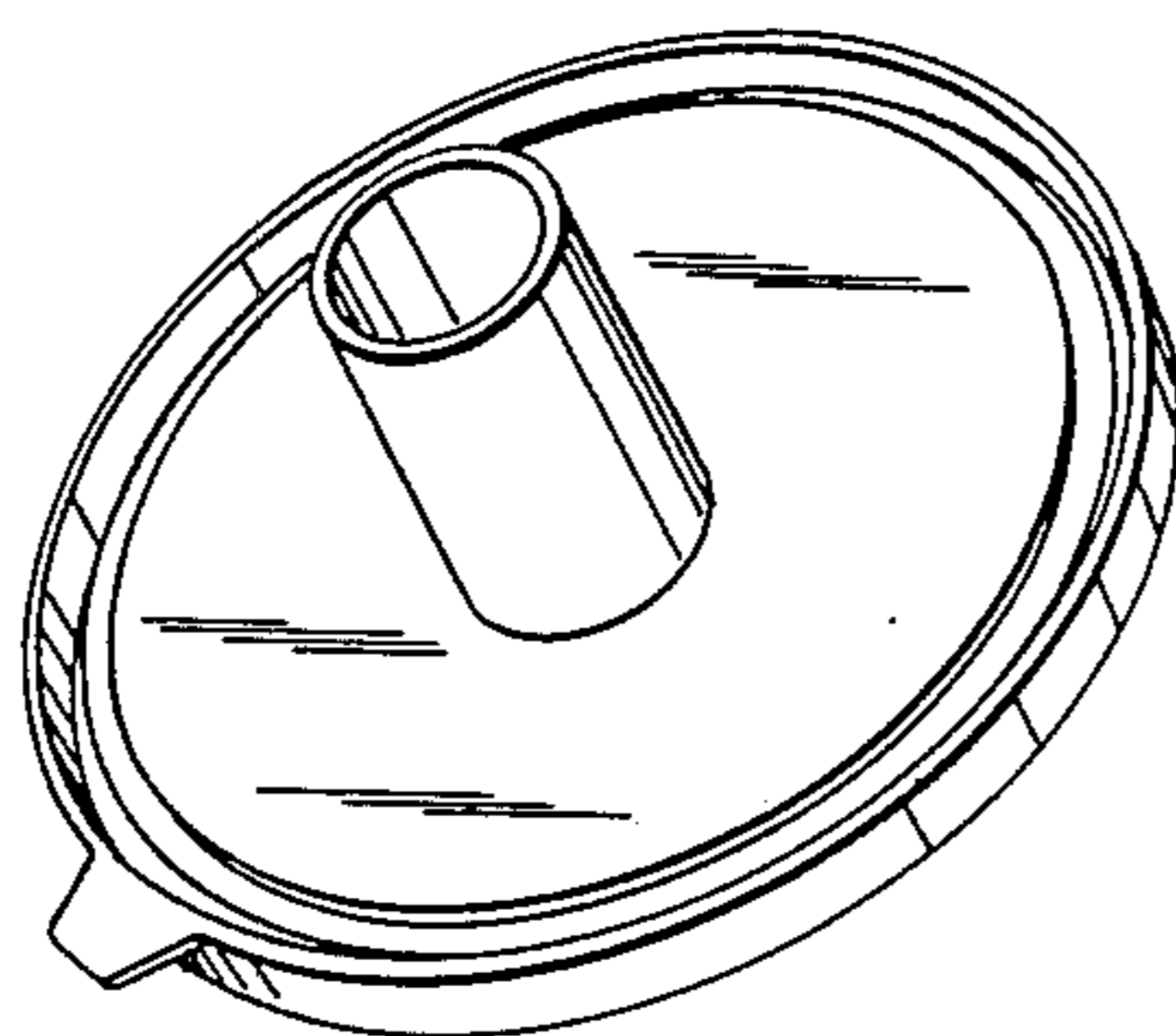


FIGURE 8