

[54] **EYE GLASS HOLDER**

[76] **Inventor: Mike Vukasinovich, 315 Mobil Ave., Camarillo, Calif. 93010**

[**] **Term: 14 Years**

[21] **Appl. No.: 884,020**

[22] **Filed: Jul. 10, 1986**

[52] **U.S. Cl. D16/129**

[58] **Field of Search D16/100, 123, 129; 211/88, 13; 248/DIG. 2, 309.1, 519, 127; 206/5**

[56] **References Cited**

U.S. PATENT DOCUMENTS

- D. 113,402 2/1939 Schram 248/DIG. 2
- D. 135,509 4/1943 Roth D16/123
- D. 161,850 2/1951 Maier D16/129
- D. 229,098 11/1973 Reed D16/129

D. 264,222 5/1982 Slepian D16/129

Primary Examiner—Wallace R. Burke

Assistant Examiner—Clare E. Heflin

Attorney, Agent, or Firm—Poms, Smith, Lande & Rose

[57] **CLAIM**

The ornamental design for an eye glass holder, as shown and described.

DESCRIPTION

FIG. 1 is a front perspective view of the eye glass holder showing my new design.

FIG. 2 is a front elevational view thereof;

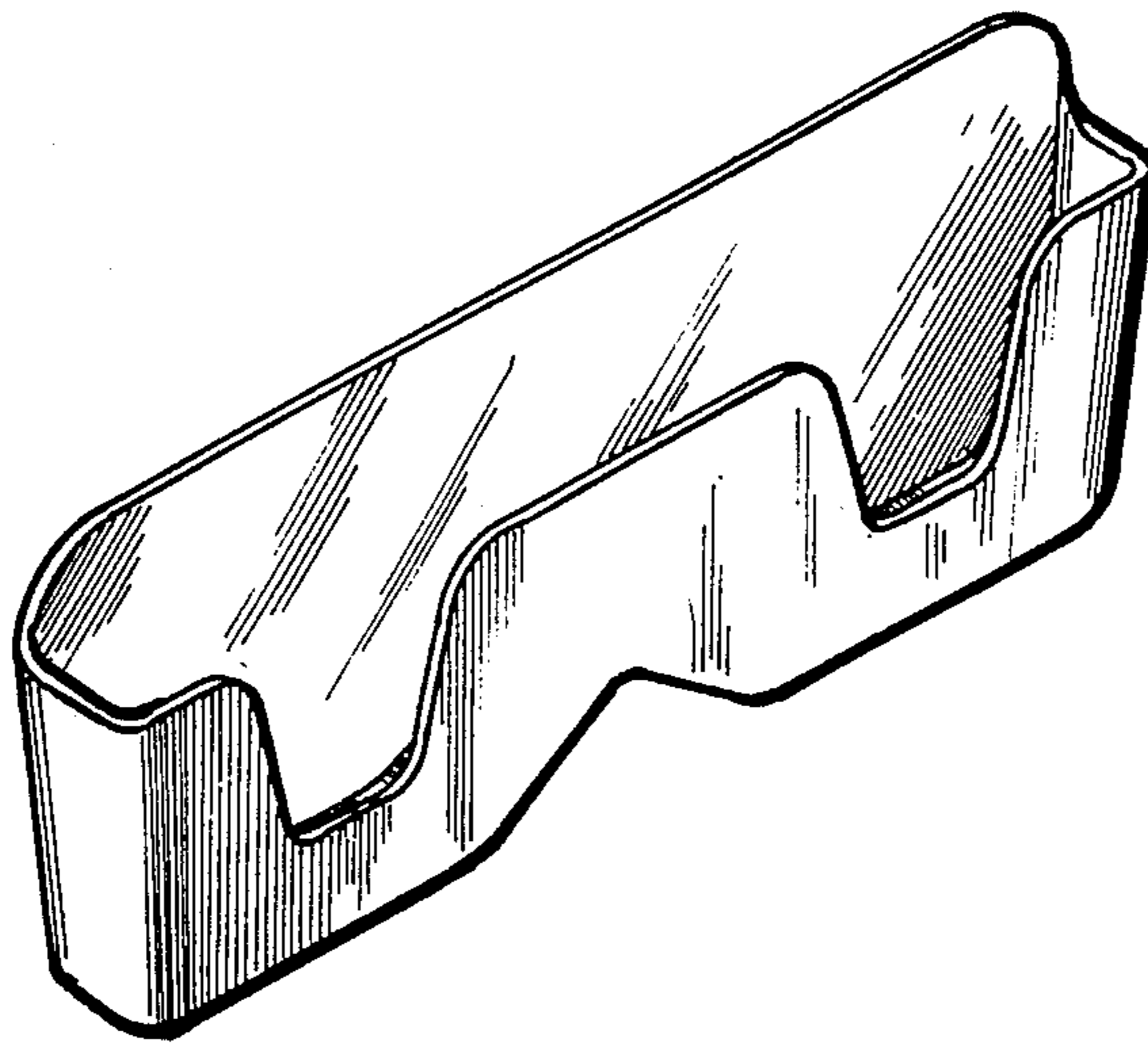
FIG. 3 is a top plan view thereof;

FIG. 4 is a rear elevational view thereof;

FIG. 5 is a bottom plan view thereof;

FIG. 6 is a left side elevational view thereof;

FIG. 7 is a right side elevational view thereof.



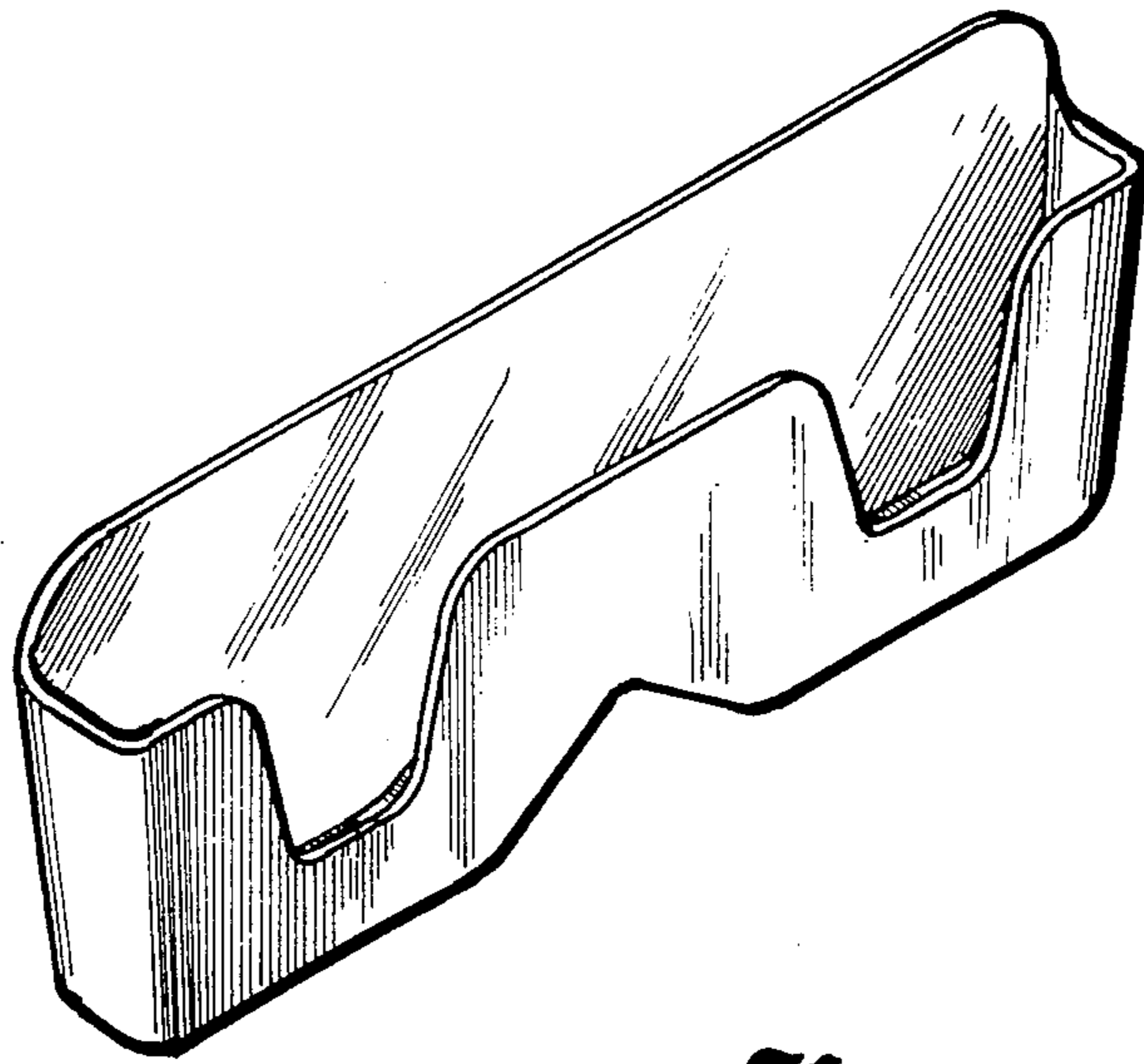


Fig. 1.

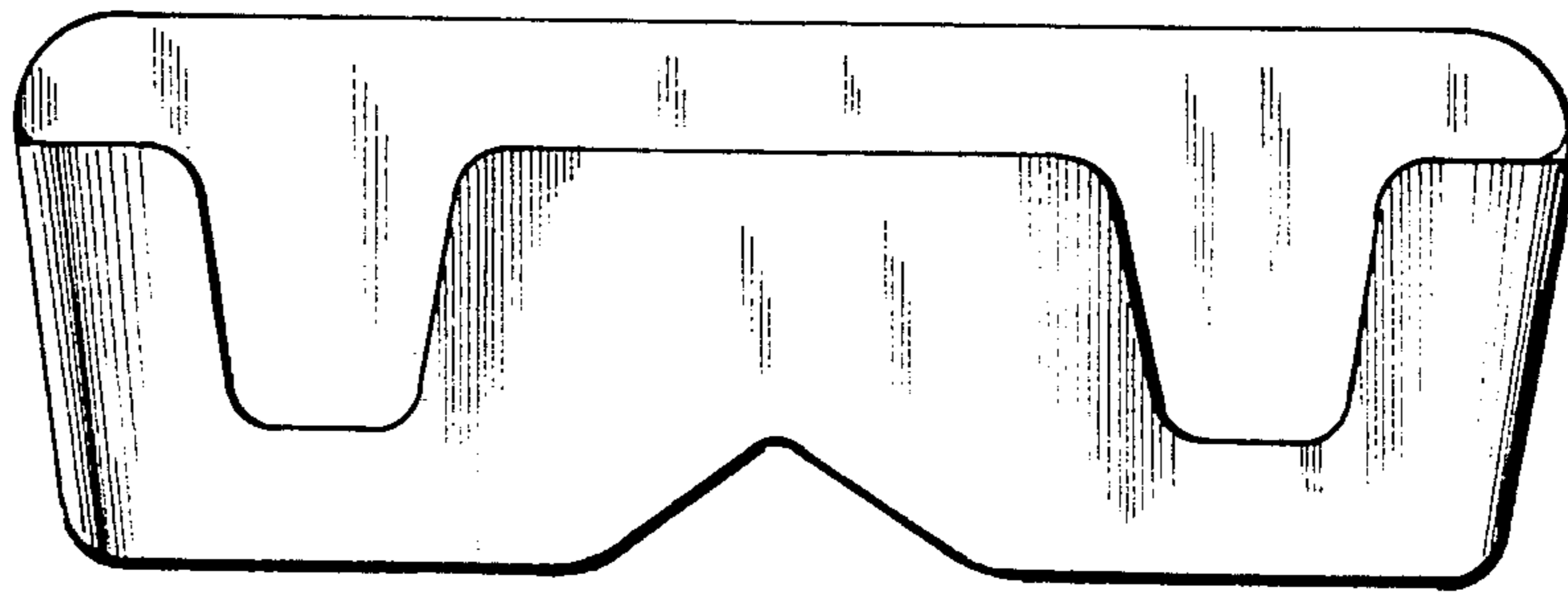


Fig. 2.

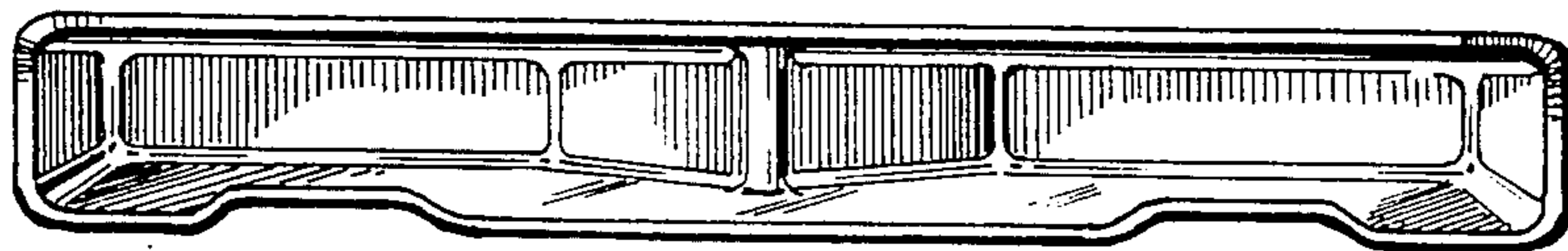


Fig. 3.

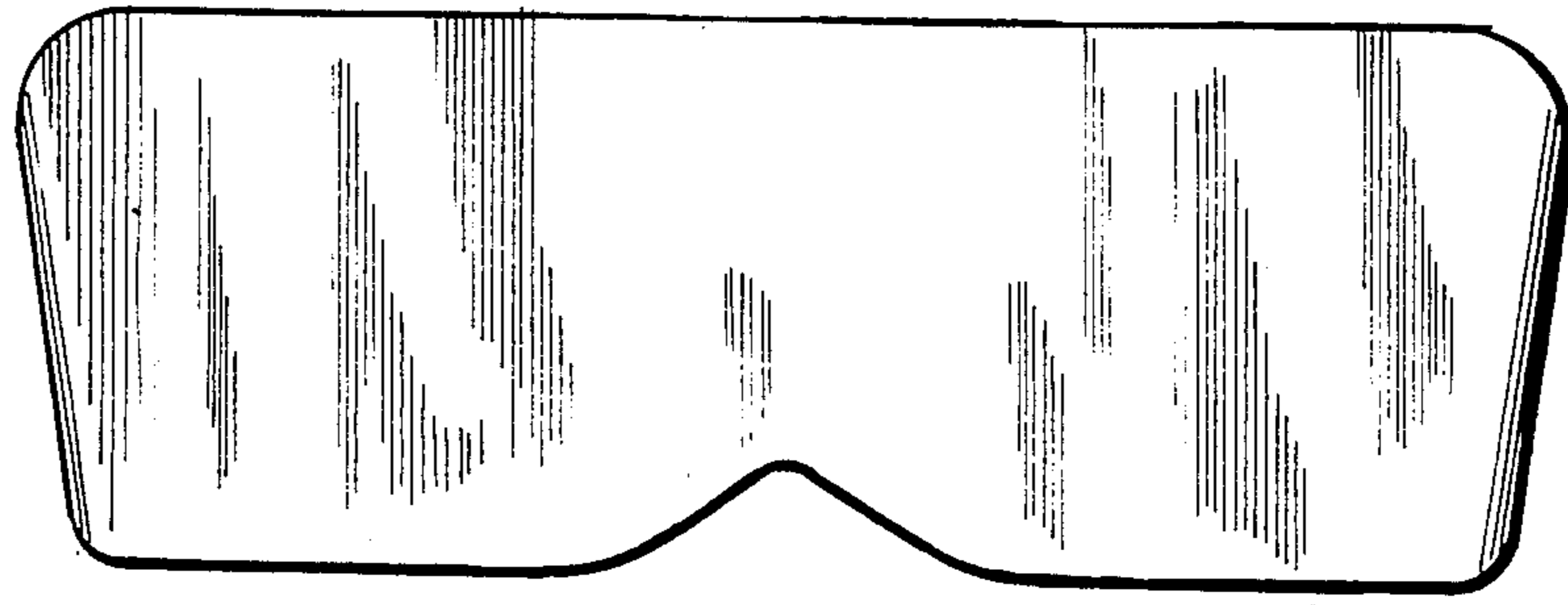


Fig. 4.

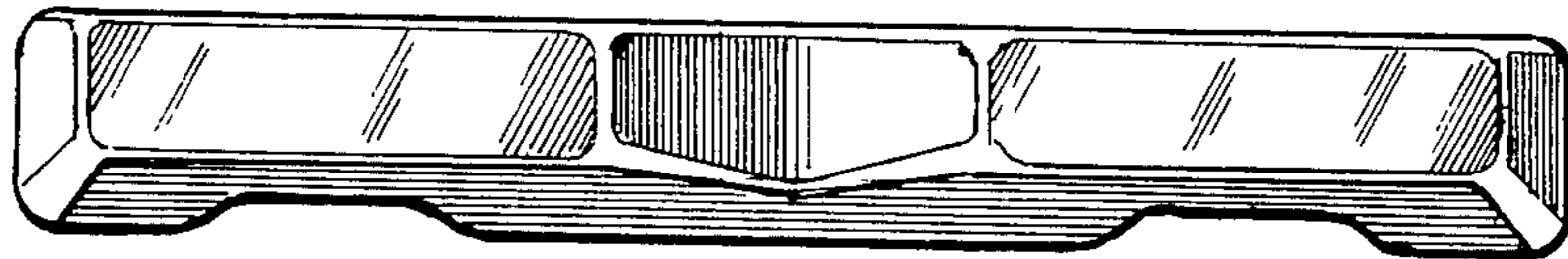


Fig. 5.

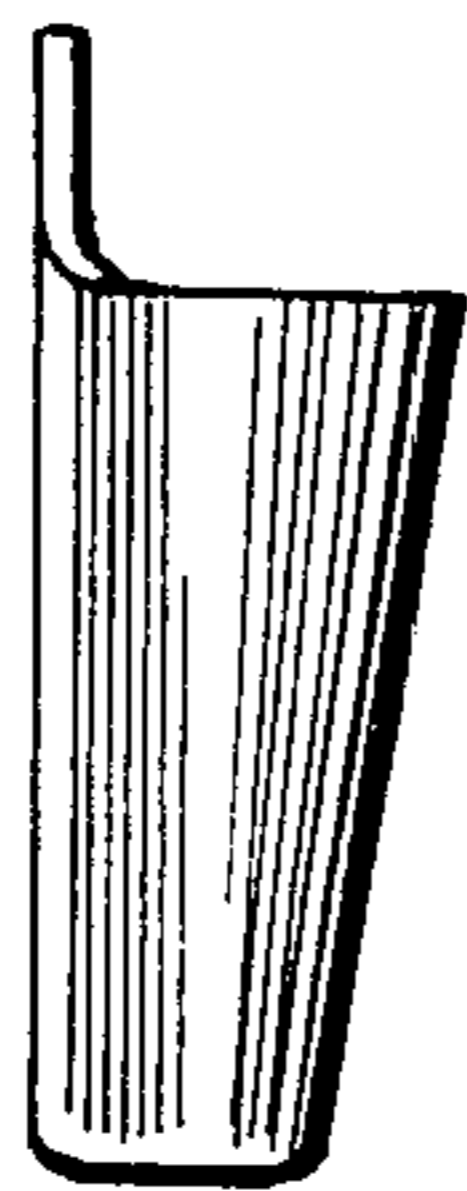


Fig. 6.



Fig. 7.