

[54] MACHINE FOR CUTTING WORKPIECES UTILIZING ELECTRICAL DISCHARGE

[76] Inventor: Shun T. Yang, No. 49, Lane 265, Tai Ping Road, Tai Ping Hsiang, Taichun Hsien, Taiwan

[\*\*] Term: 14 Years

[21] Appl. No.: 846,562

[22] Filed: Mar. 28, 1986

[52] U.S. Cl. .... D15/127

[58] Field of Search ..... D15/127; 219/68, 69 R, 219/69 G, 69 W

[56] References Cited

U.S. PATENT DOCUMENTS

- D. 210,245 2/1968 Johnson et al. .... D15/127
- D. 286,407 10/1986 Itoh et al. .... D15/127
- 3,663,786 5/1972 O'Connor ..... 219/68
- 4,016,395 4/1977 Rietveld ..... 219/69 W

4,539,459 9/1985 Yamagata ..... 219/69 W

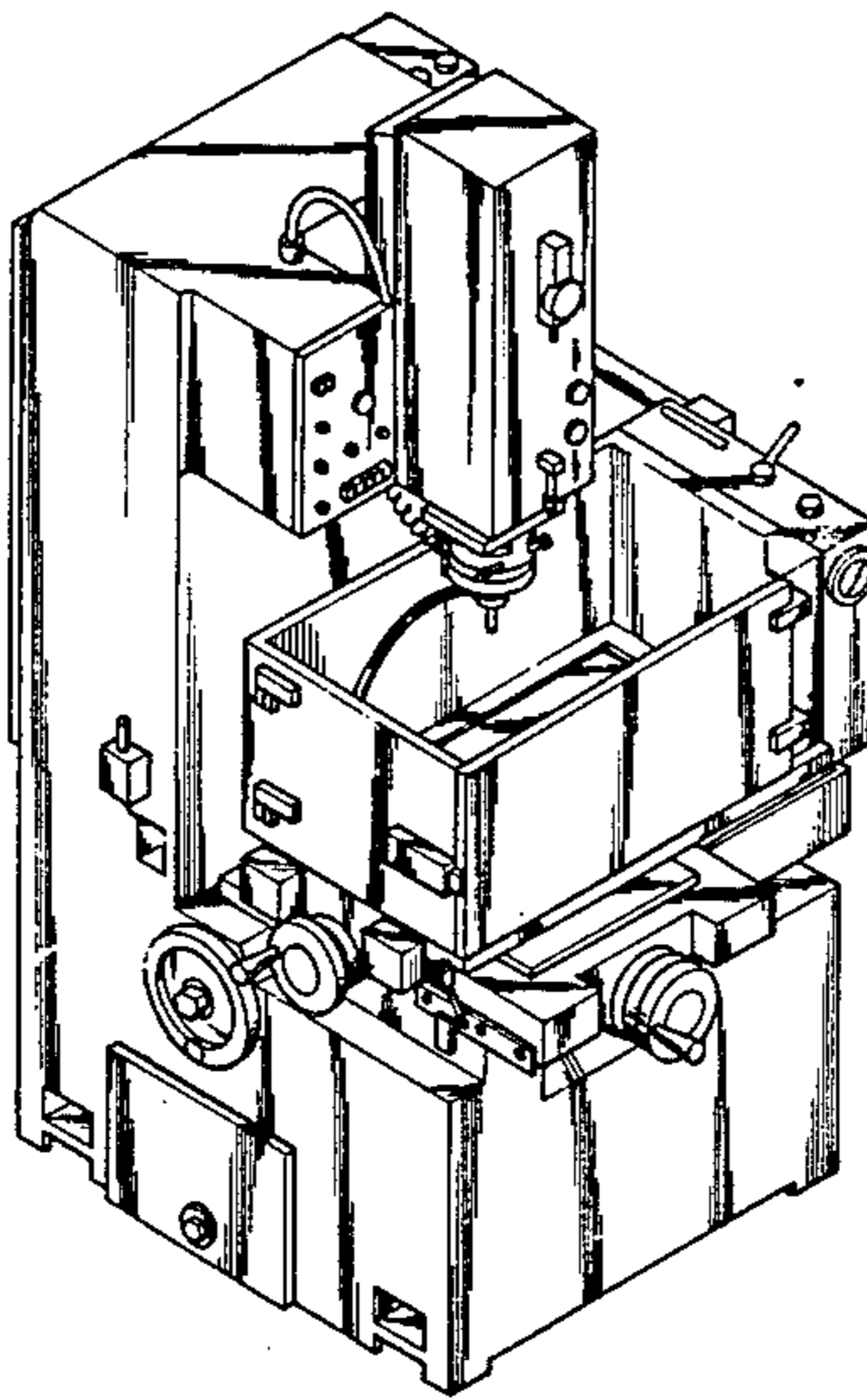
Primary Examiner—B. J. Bullock  
Attorney, Agent, or Firm—Lowe, Price, LeBlanc, Becker & Shur

[57] CLAIM

The ornamental design for a machine for cutting workpieces utilizing electrical discharge, substantially as shown and described.

DESCRIPTION

FIG. 1 is a perspective view of a machine for cutting workpieces utilizing electrical discharge showing my new design;  
 FIG. 2 is a front elevational view thereof;  
 FIG. 3 is a rear elevational view thereof;  
 FIG. 4 is a left side elevational view thereof;  
 FIG. 5 is a right side elevational view thereof;  
 FIG. 6 is a top plan view thereof; and  
 FIG. 7 is a bottom plan view thereof.



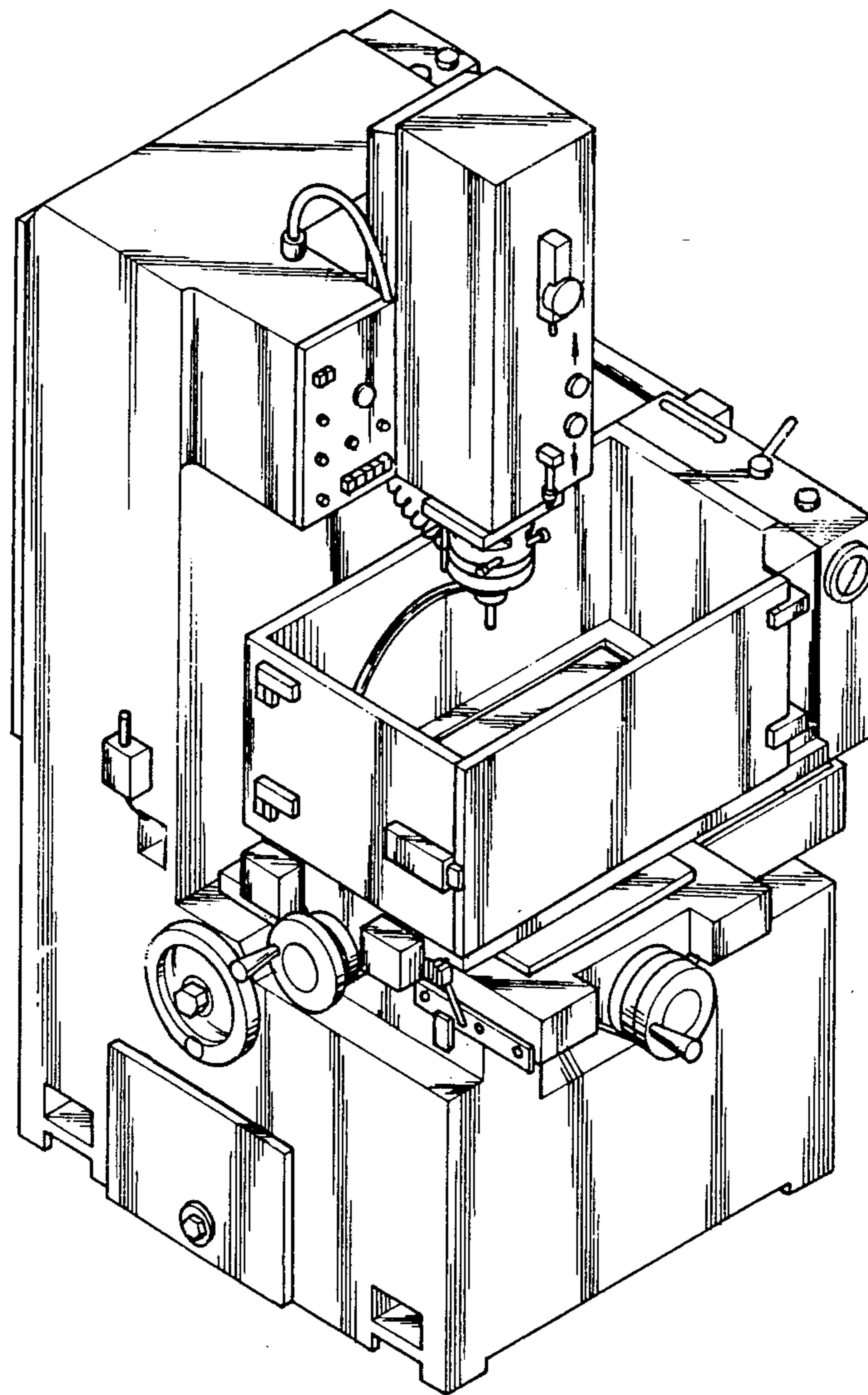


FIG. 1.

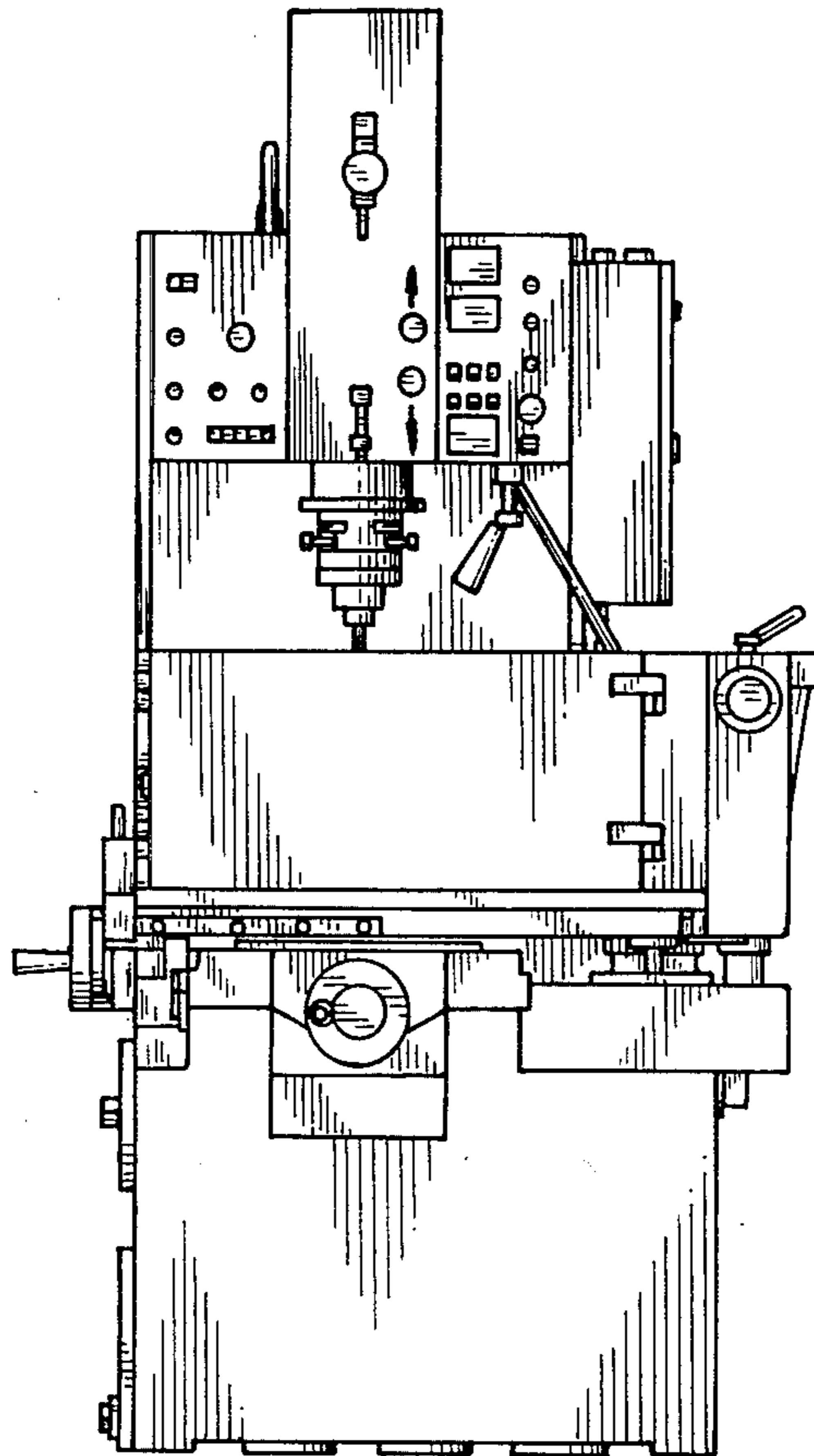


FIG. 2.

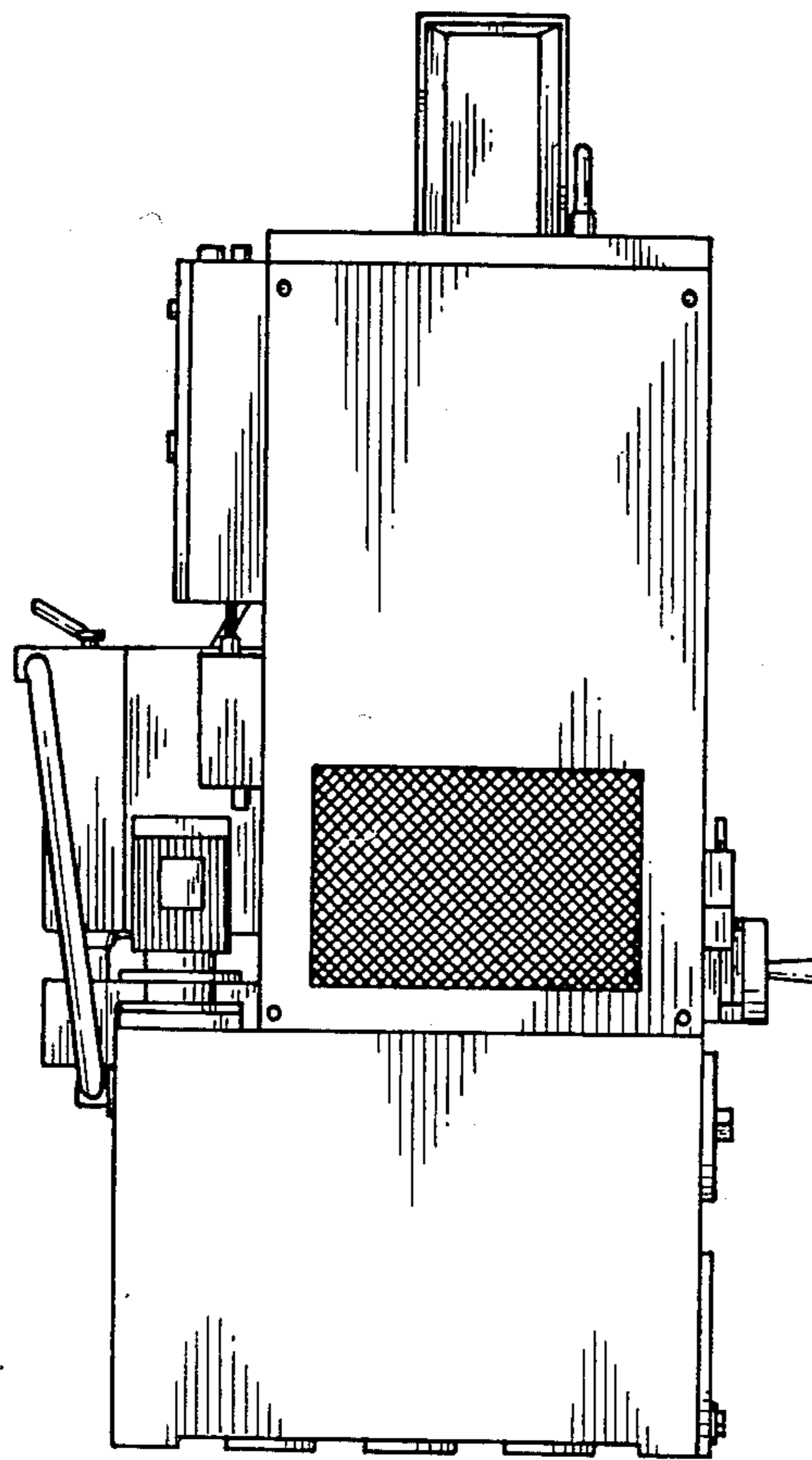


FIG. 3.

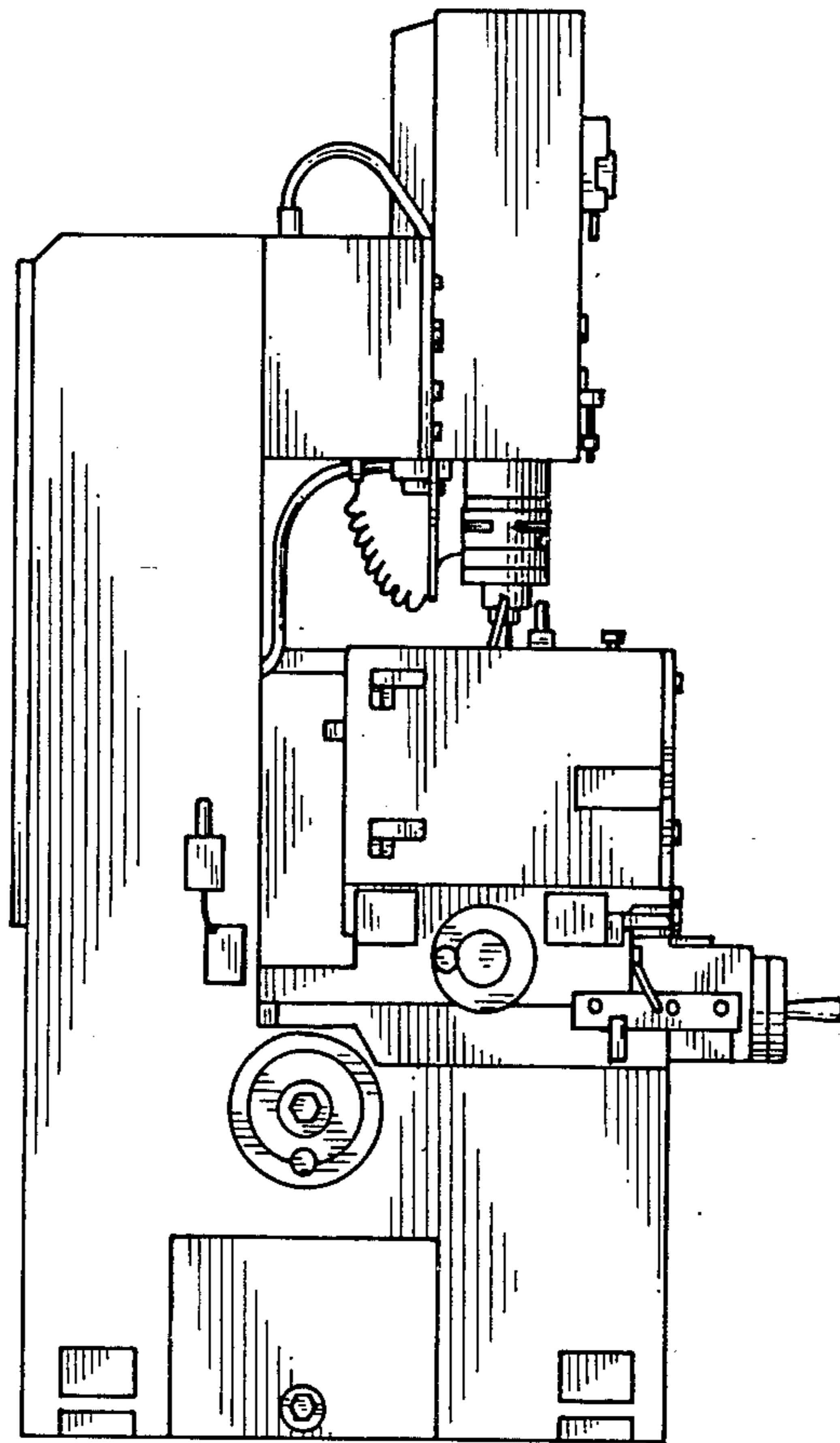


FIG.4.

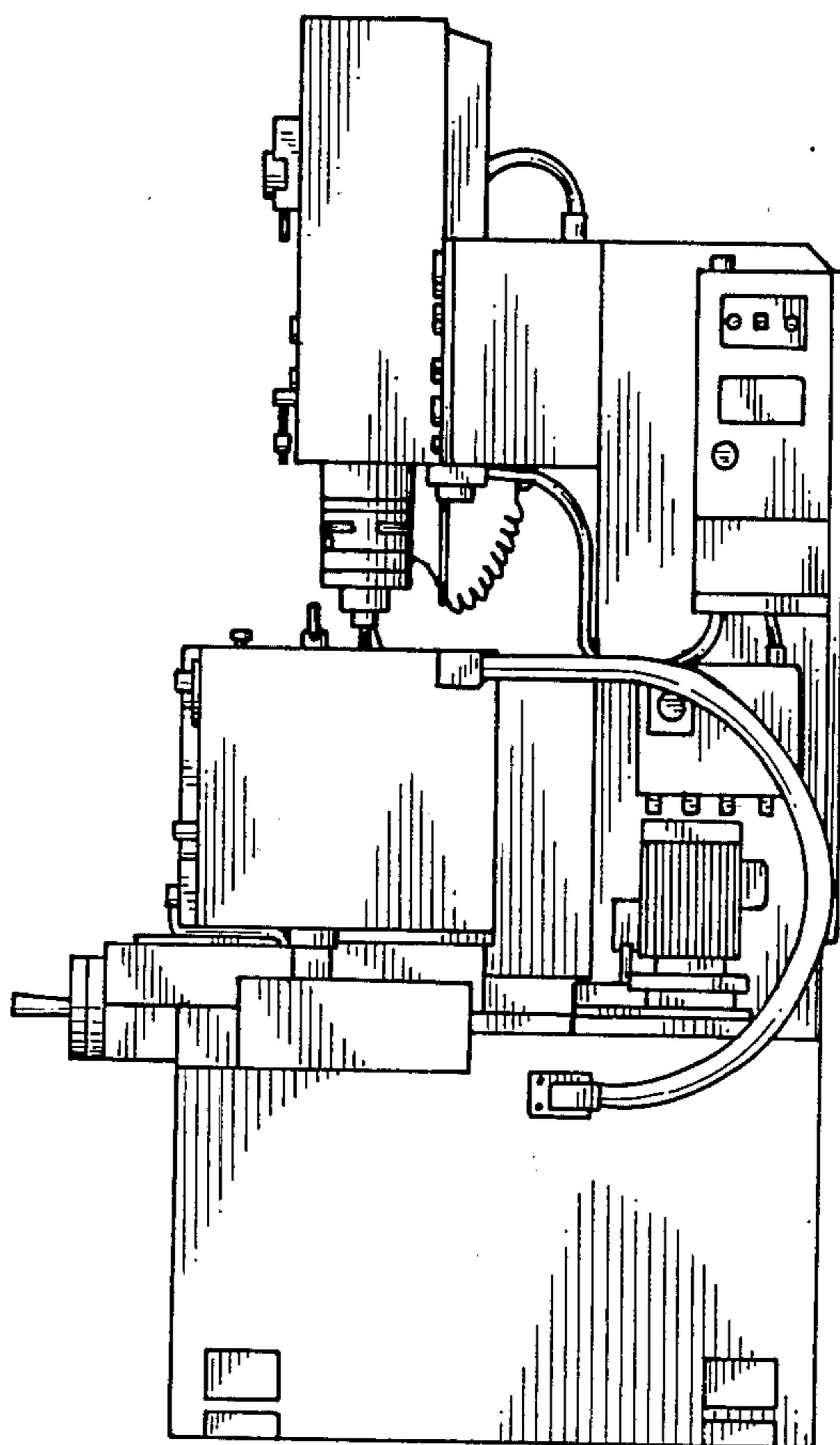


FIG. 5.

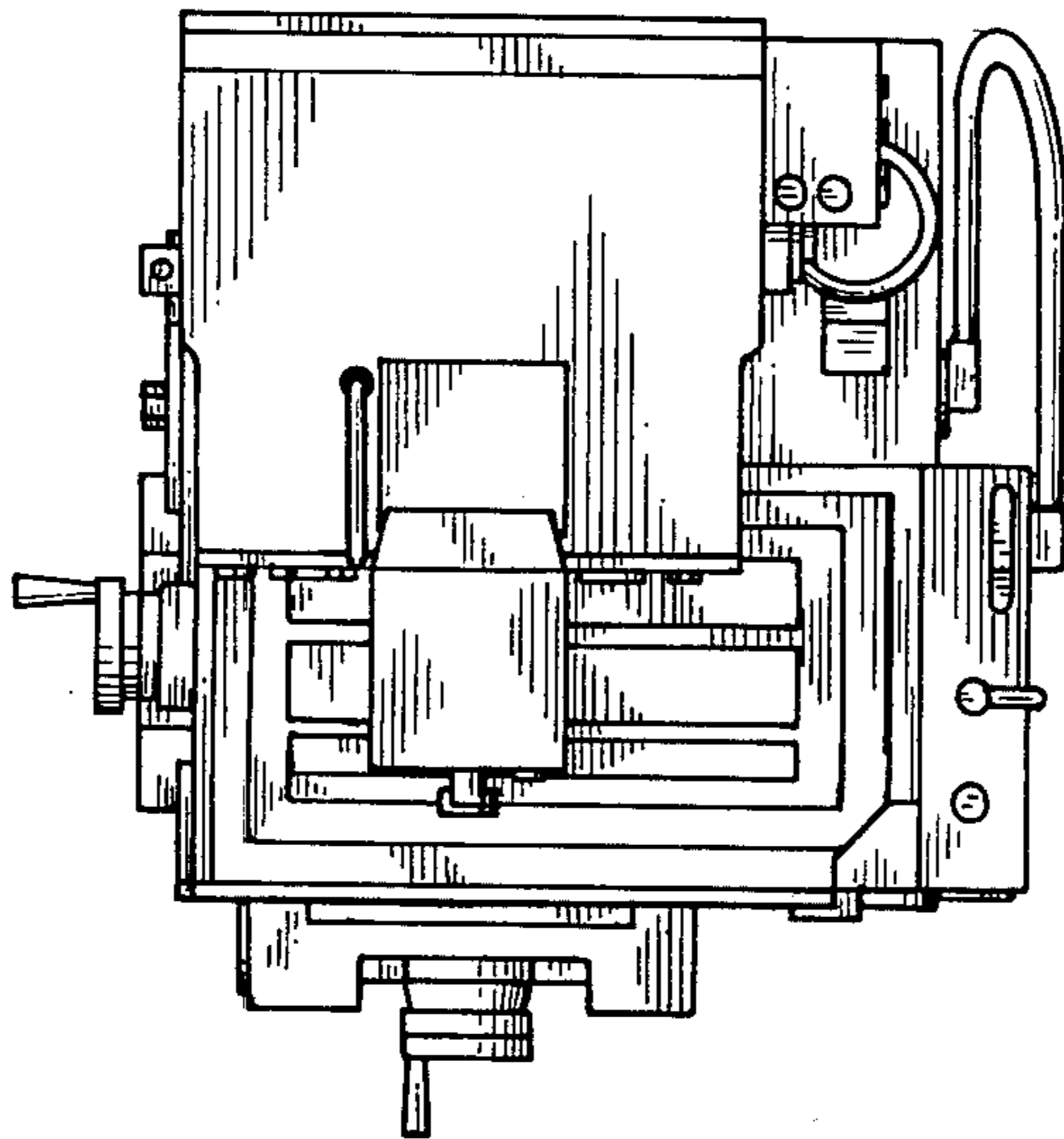


FIG. 6.



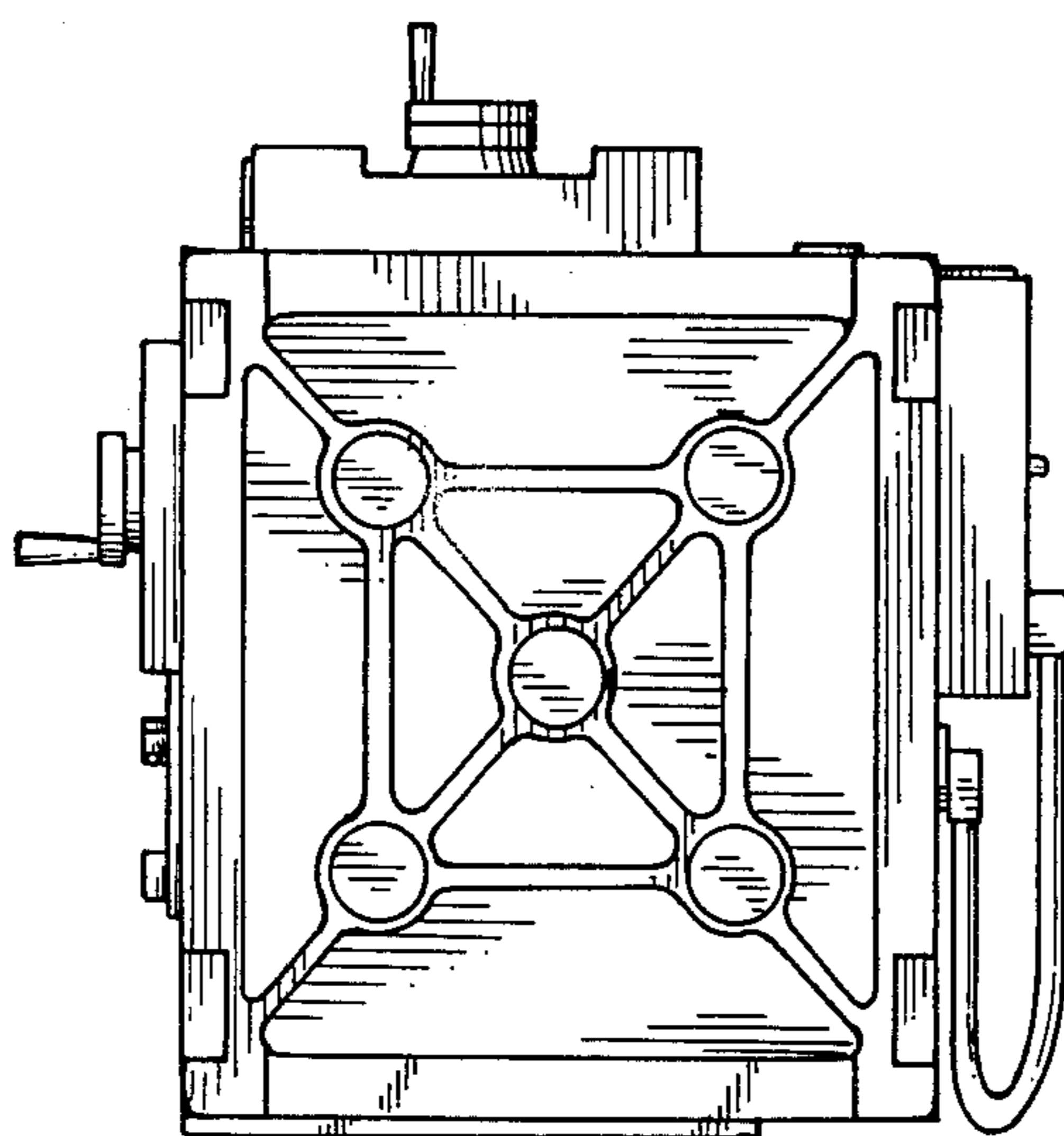


FIG. 7.