

United States Patent [19]

Hughes et al.

[11] Patent Number: **Des. 298,831**

[45] Date of Patent: **** Dec. 6, 1988**

[54] **TELEPHONE INSTRUMENT BASE**

[75] Inventors: **Steven W. Hughes, Burgess Hill; Paul L. Brennan, London, both of England**

[73] Assignee: **British Telecommunications public limited company, Great Britain**

[**] Term: **14 Years**

[21] Appl. No.: **2,258**

[22] Filed: **Jan. 12, 1987**

[30] **Foreign Application Priority Data**

Jul. 15, 1986 [GB] United Kingdom 1035352

[52] U.S. Cl. **D14/62; D14/60; D14/65**

[58] Field of Search **D14/60, 59, 62, 65, D14/53; 379/440, 436, 435, 428, 419**

[56] **References Cited**

U.S. PATENT DOCUMENTS

- D. 280,324 8/1985 Endt D14/53
- D. 282,841 3/1986 Inaba D14/62 X
- D. 283,508 4/1986 Mayake D14/62 X

- D. 284,078 6/1986 Yamagami et al. D14/65 X
- D. 285,441 9/1986 Isaacs D14/60
- D. 287,494 12/1986 Danielson et al. D14/62 X
- D. 291,692 9/1987 Read et al. D14/65 X
- D. 294,696 3/1988 Brown D14/62
- 4,568,801 2/1986 Gates et al. D14/65 UX

OTHER PUBLICATIONS

B. A. Pargh catalog, 1985-86, ©1985, at p. 330—"Copro", Models ST600CBR, ST610CBR, ST500CBR, ST660CBR at p. 331, Panasonic KXT2221RPA.

Primary Examiner—Horace B. Fay
Attorney, Agent, or Firm—Nixon & Vanderhye

[57] **CLAIM**

The ornamental design for telephone instrument base, as shown and described.

DESCRIPTION

FIG. 1 is front, top and right side perspective view of a telephone instrument base showing our new design; FIG. 2 is a rear elevational view thereof; FIG. 3 is a left side elevational view thereof, the side opposite being substantially a mirror image; and FIG. 4 is a bottom plan view thereof.

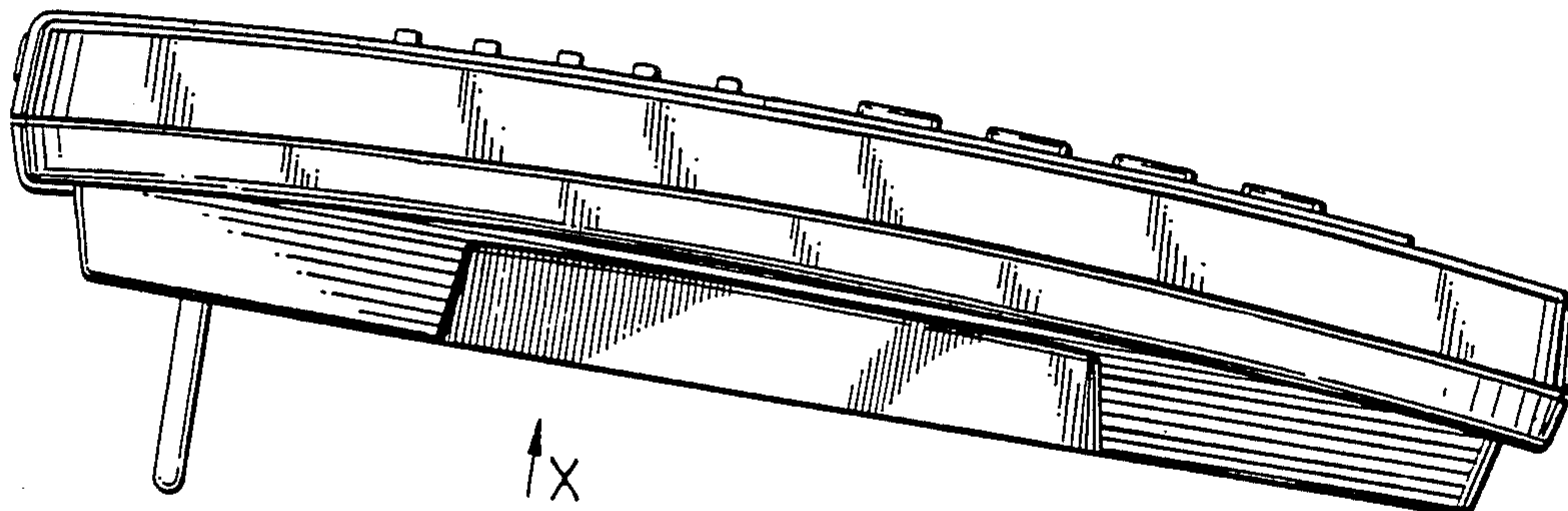
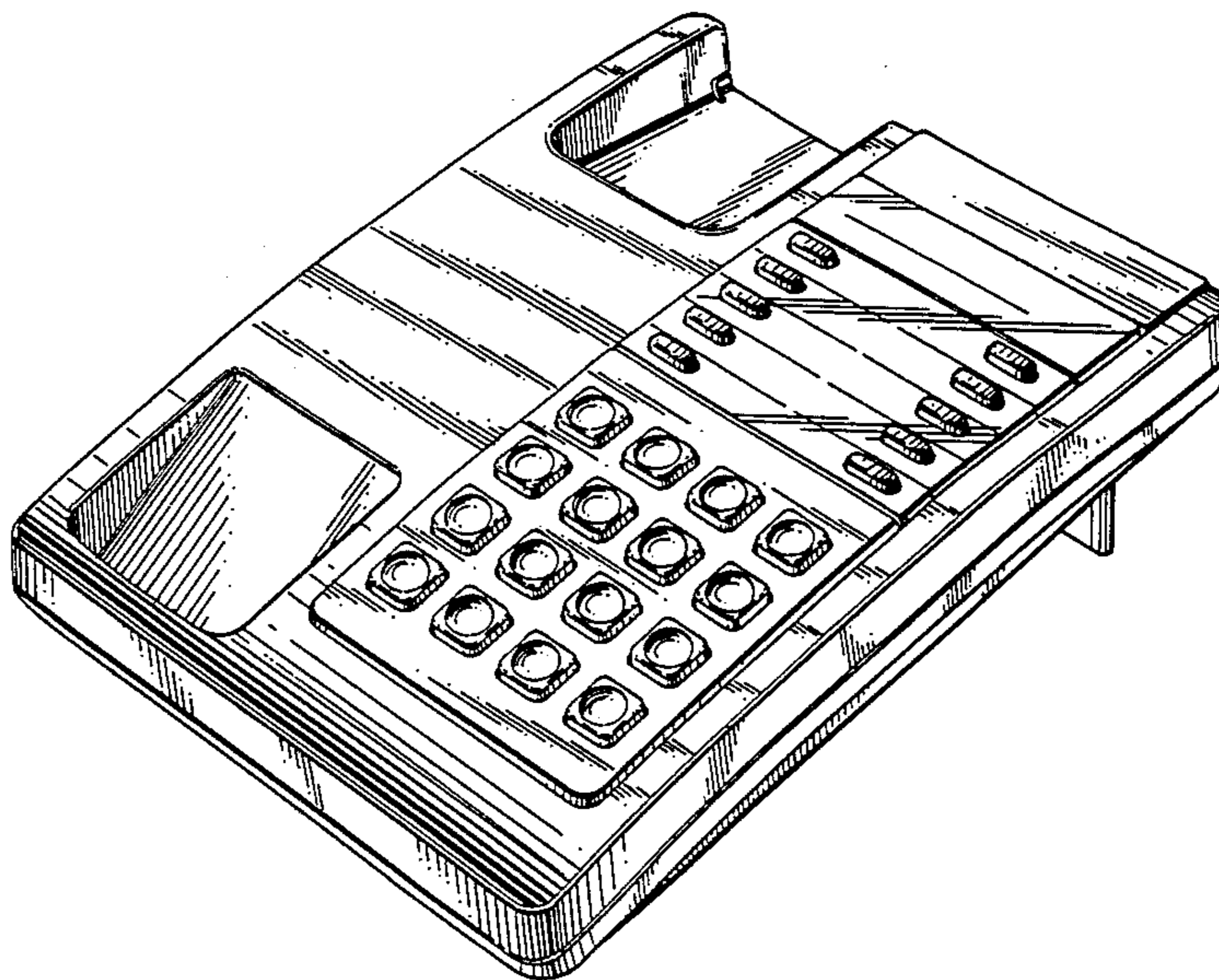


Fig. 1.

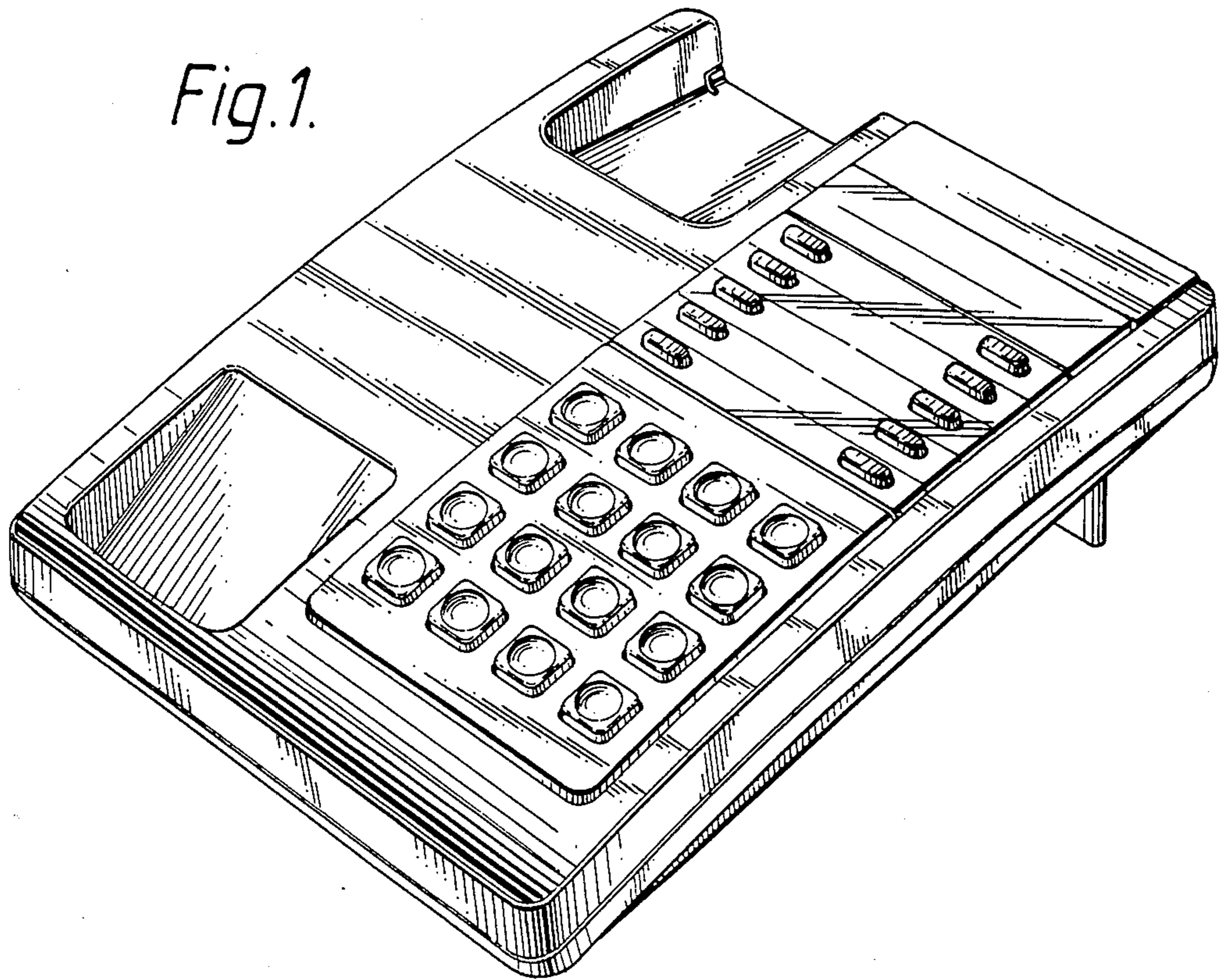
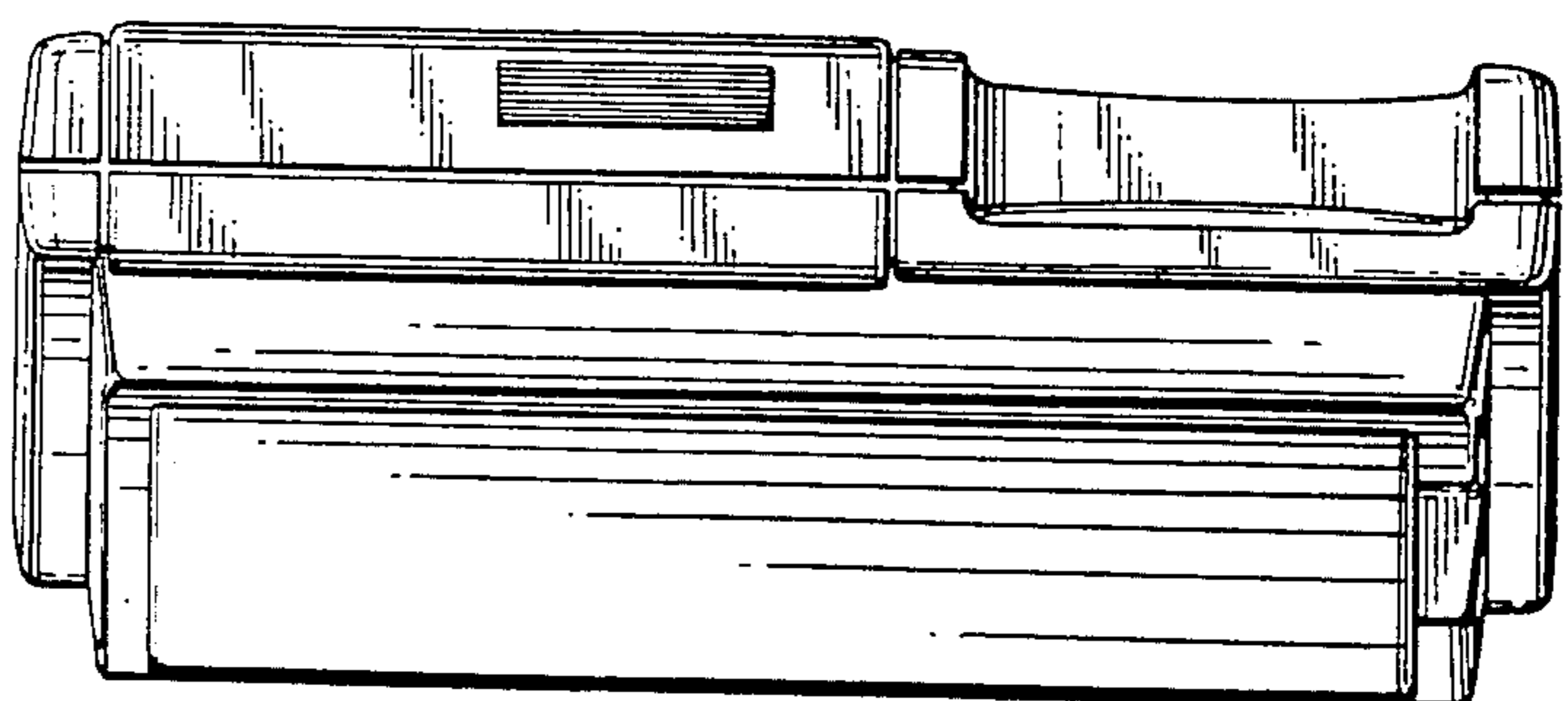


Fig. 2.



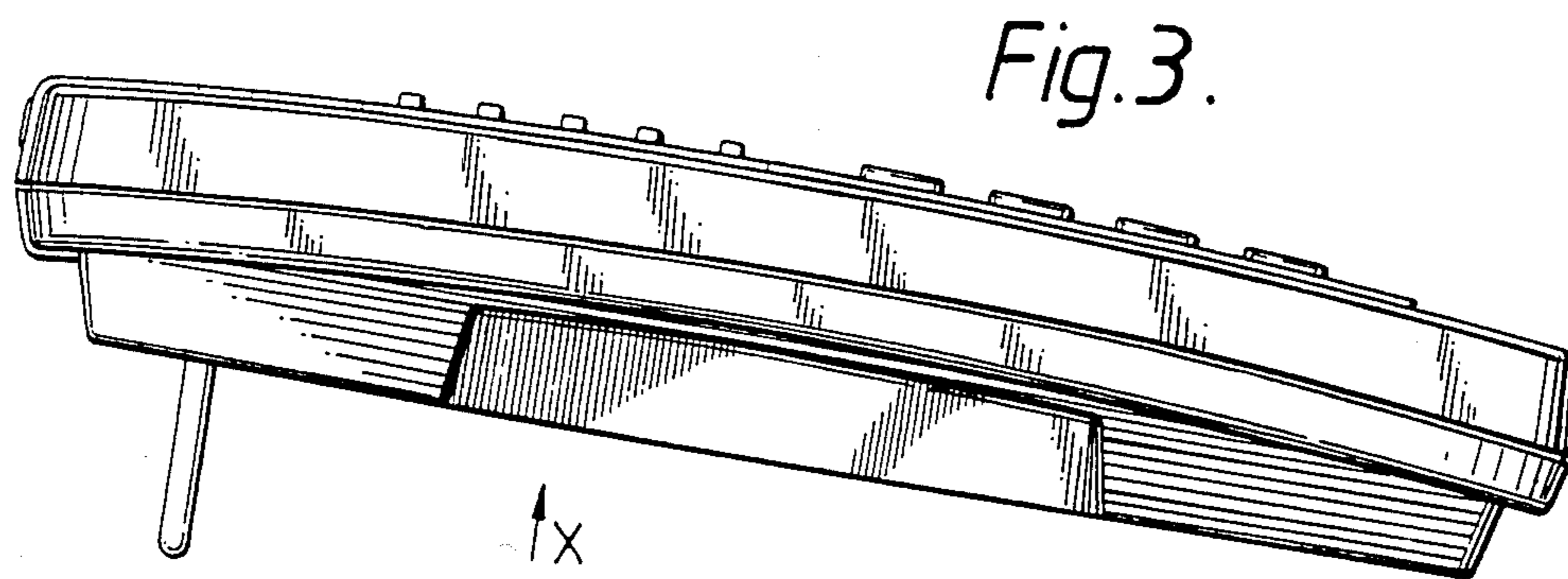


Fig. 4.

