

[54] RECHARGEABLE POWER SUPPLY FOR BICYCLE ACCESSORIES

3,894,281 7/1975 Bloomfield ..... 322/1  
4,069,451 1/1978 Rouse ..... 322/1

[75] Inventor: Hubert Konzorr, Fröndenberg, Fed. Rep. of Germany

Primary Examiner—Wallace R. Burke  
Assistant Examiner—Ruth Takemoto  
Attorney, Agent, or Firm—Sherman & Shalloway

[73] Assignee: Union Sils, van de Loo & Co. GmbH, Fröndenberg, Fed. Rep. of Germany

[57] CLAIM

[\*\*] Term: 14 Years

The ornamental design for an rechargeable power supply for bicycle accessories, substantially as shown and described.

[21] Appl. No.: 763,679

DESCRIPTION

[22] Filed: Aug. 8, 1985

[52] U.S. Cl. .... D13/11

[58] Field of Search ..... D13/4-6,  
D13/11-12, 40-41, 99; 320/2-5, 15; 307/150;  
322/1; 315/76; D12/114

FIG. 1 is a rear elevational view of a rechargeable power supply for bicycle accessories showing my new design;

FIG. 2 is a side elevational view thereof;

FIG. 3 is a front elevational view thereof;

FIG. 4 is a side elevational view thereof, of the opposite side of FIG. 2;

FIG. 5 is a top plan view thereof;

FIG. 6 is a bottom plan view thereof; and

FIG. 7 is a perspective view as seen from the top, rear and one side.

[56] References Cited

U.S. PATENT DOCUMENTS

2,088,029 7/1937 McDermott ..... 322/1  
2,296,914 9/1942 Fortin ..... 322/1  
2,299,762 10/1942 McDermott ..... 322/1

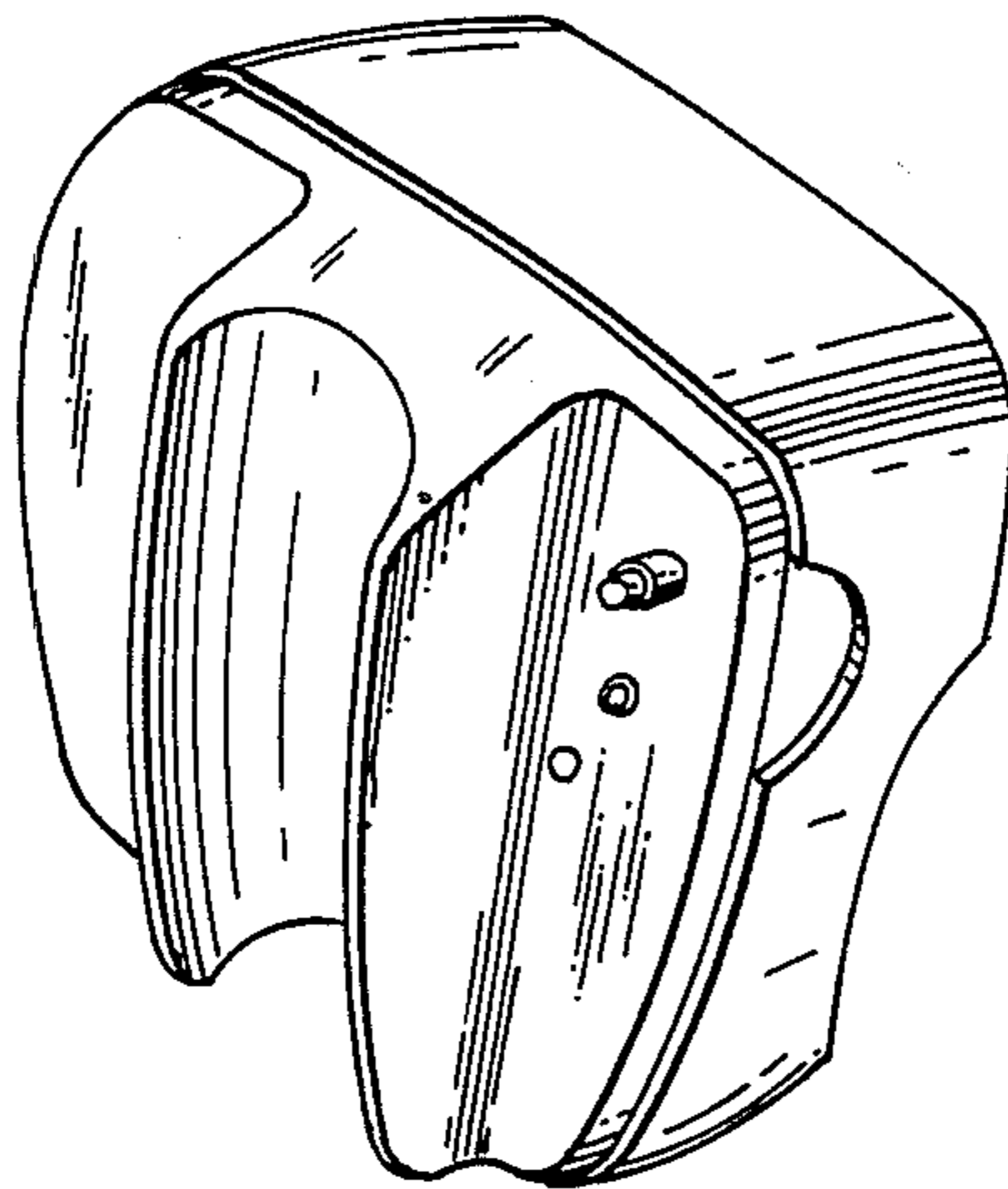


Fig.1

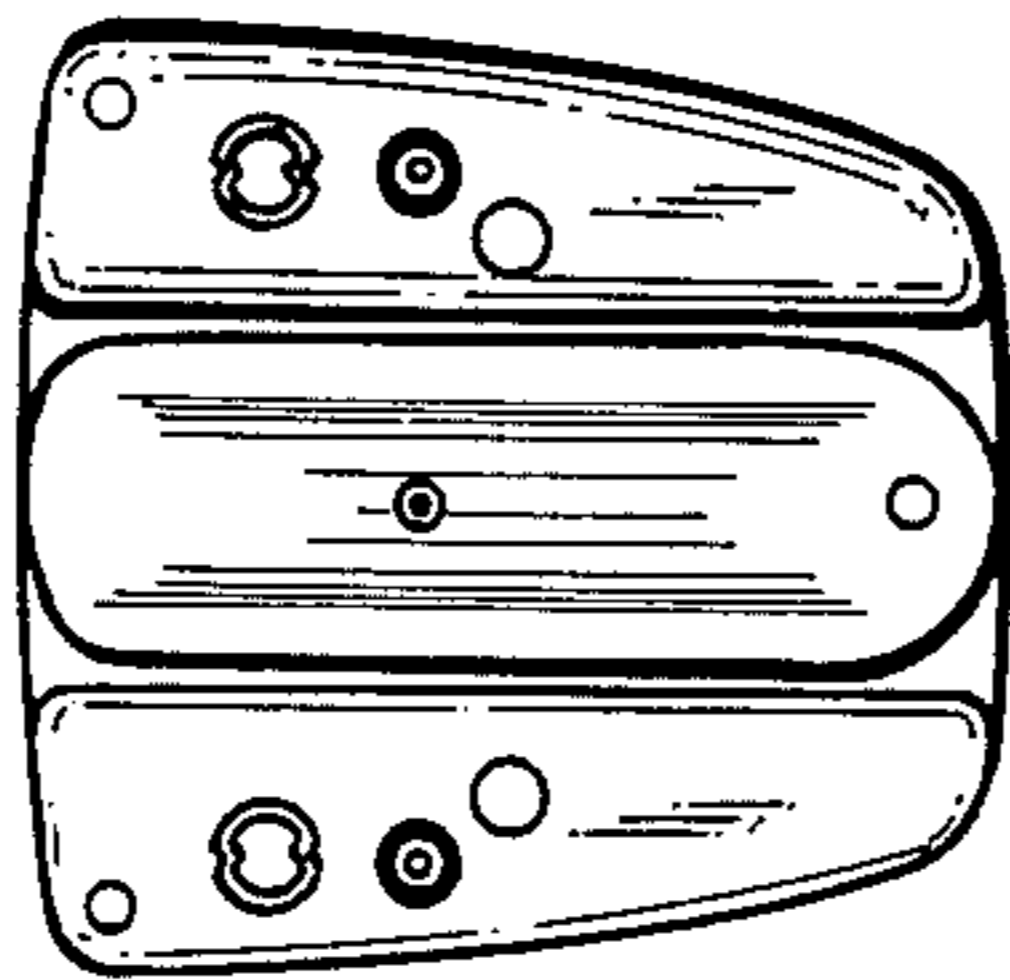


Fig.2

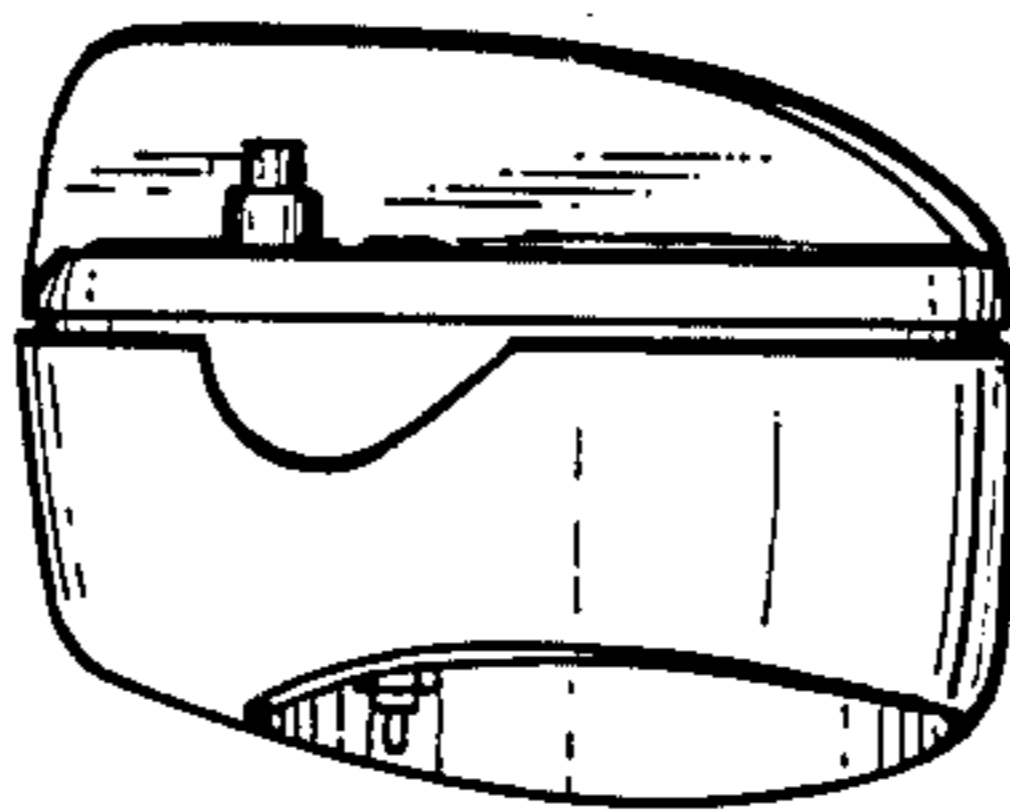


Fig.3

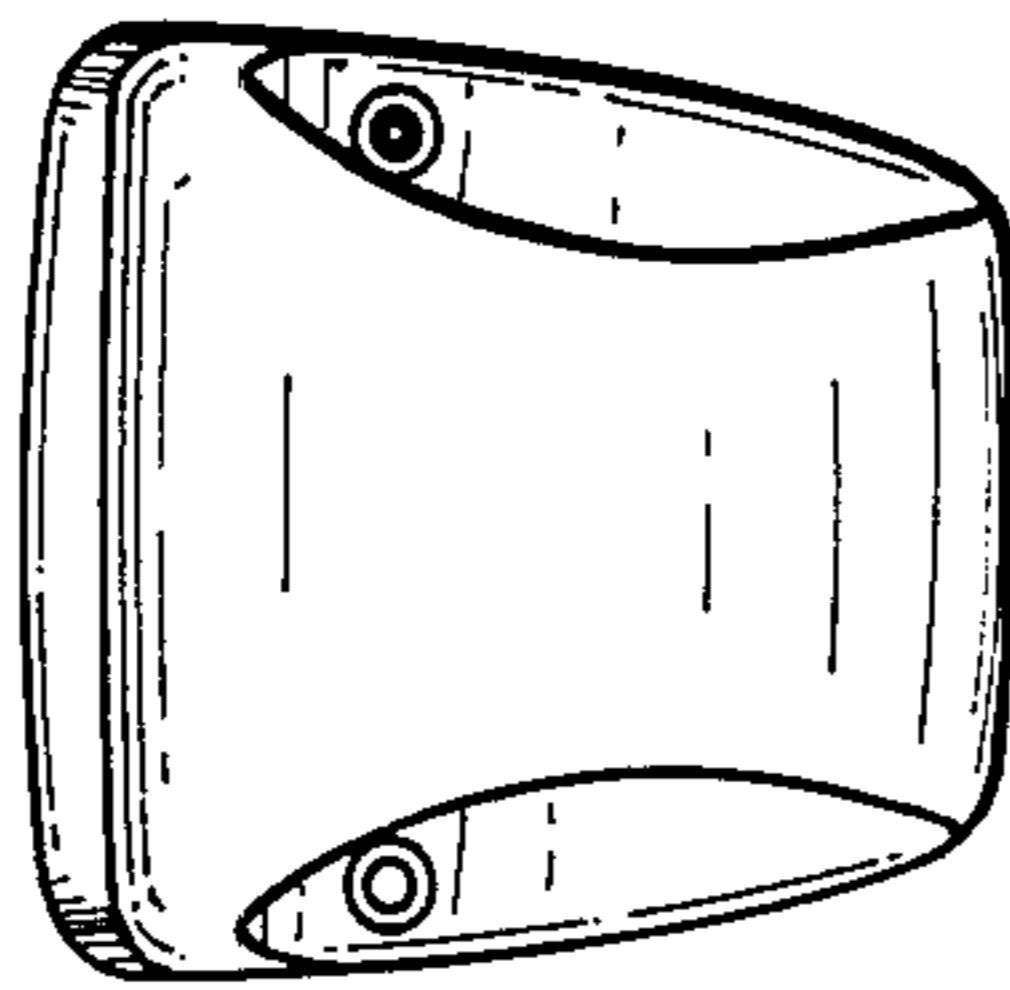


Fig.4

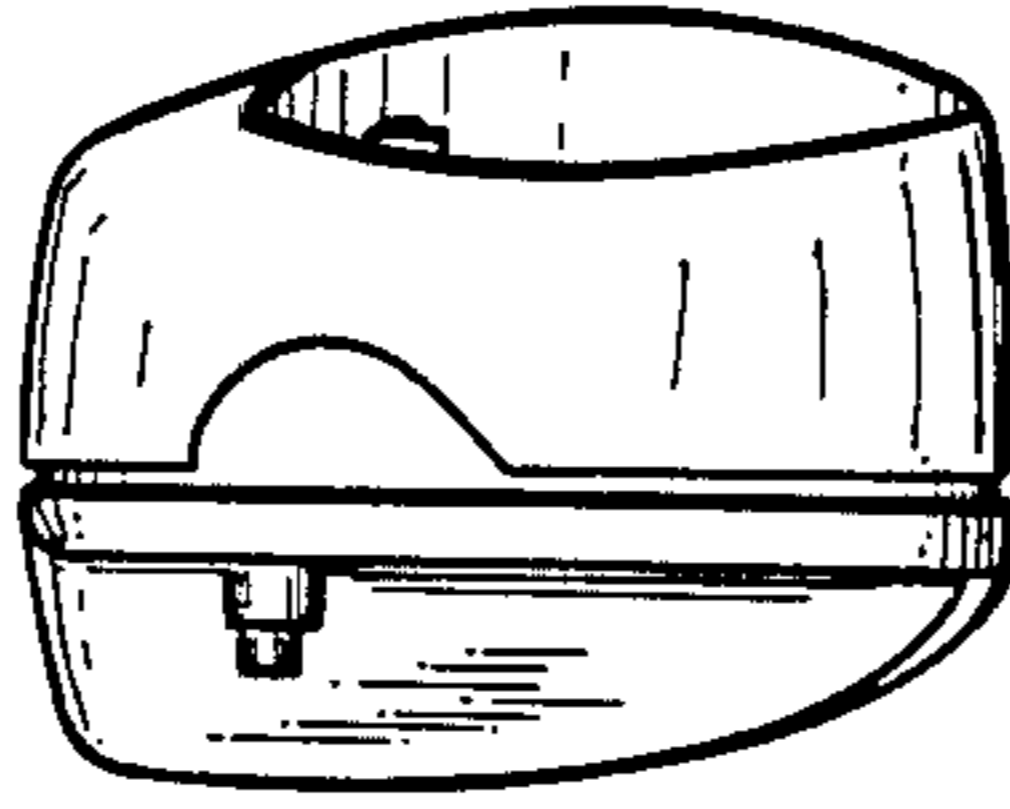


Fig.5

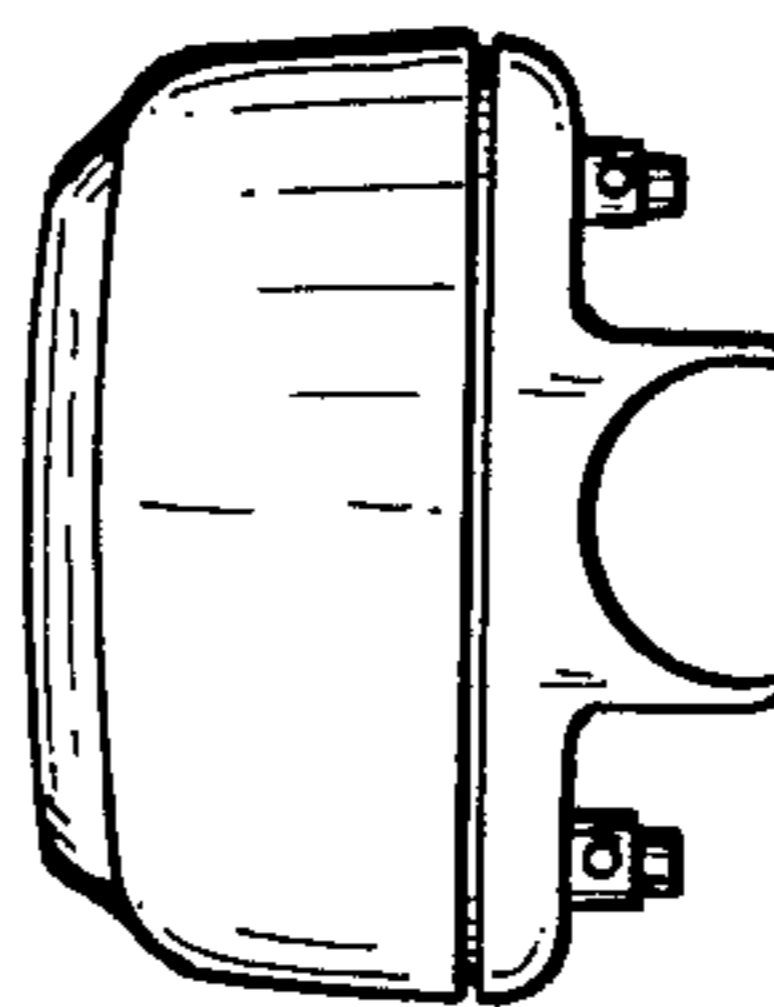
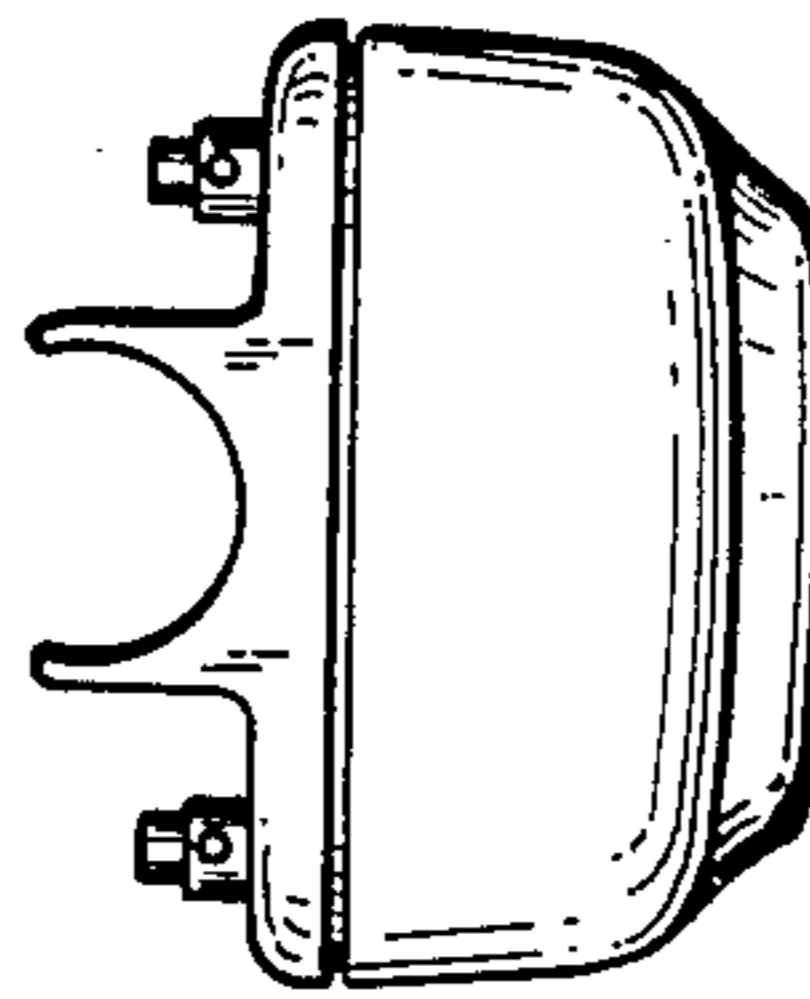


Fig.6



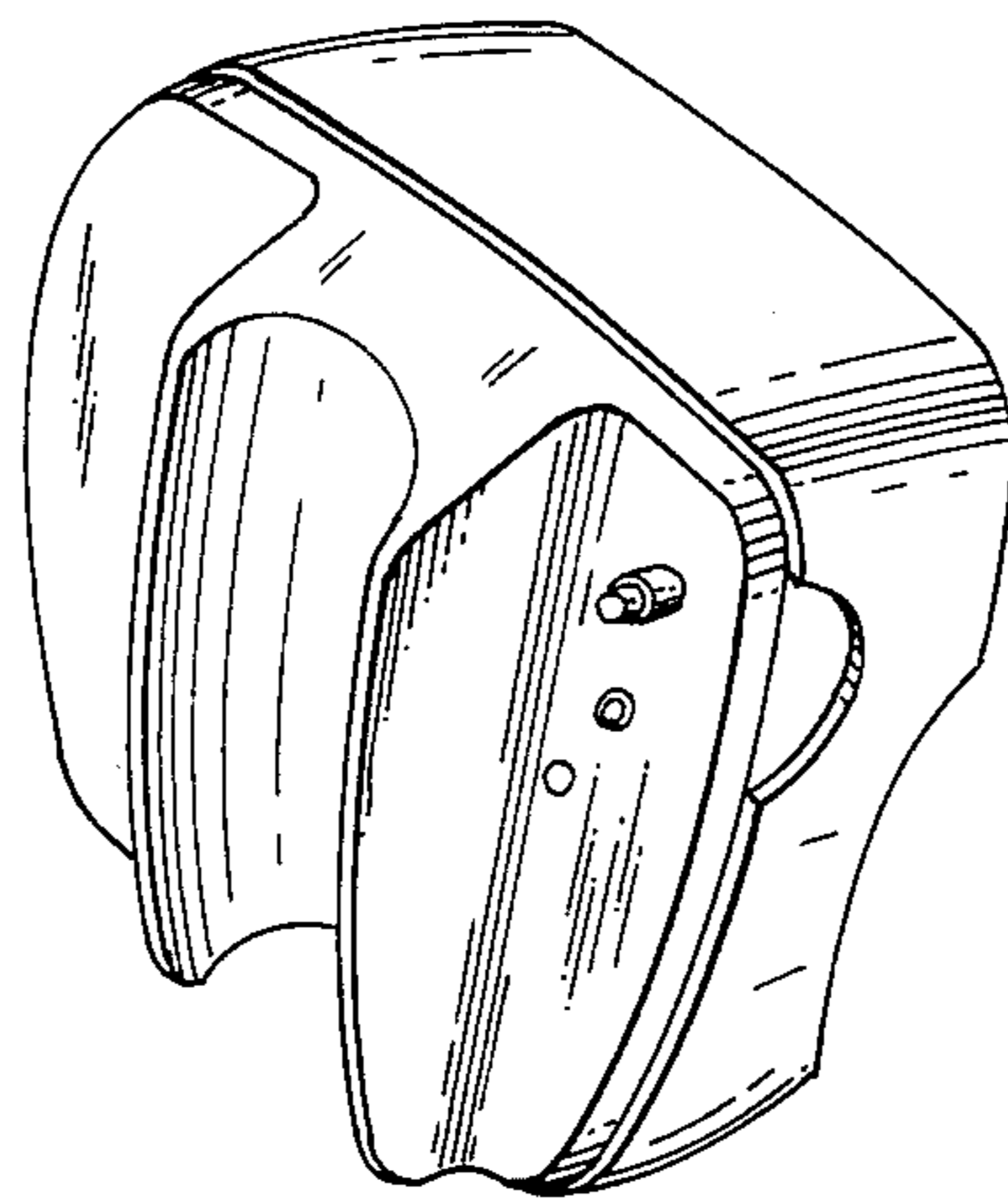


FIG. 7