

[54] POWER INVERTER

[75] Inventors: Nobuyuki Kondo; Yoshinori Abe, both of Kamakura; Hideaki Tata, Nagoya; Eiji Ito, Nagoya; Katsuhiko Chonan, Nagoya; Hideo Inuma, Nagoya, all of Japan

[73] Assignee: Mitsubishi Denki Kabushiki Kaisha, Tokyo, Japan

[\*\*] Term: 14 Years

[21] Appl. No.: 743,703

[22] Filed: Jun. 3, 1985

[30] Foreign Application Priority Data

Dec. 3, 1984 [JP]	Japan	59-49661
Dec. 3, 1984 [JP]	Japan	59-49665
Dec. 3, 1984 [JP]	Japan	59-49666
Dec. 3, 1984 [JP]	Japan	59-49667

[52] U.S. Cl. D13/4

[58] Field of Search D13/4, 11-12, D13/40-41, 99; 363/16, 37, 63, 71, 95, 177

[56] References Cited

U.S. PATENT DOCUMENTS

D. 148,332	1/1948	Scofield et al.	D13/11
D. 225,013	10/1972	Stewart	D13/40
D. 225,751	1/1973	Urquhart ete al.	D13/11
D. 226,011	1/1973	Urquhart et al.	D13/11
D. 269,605	7/1983	Provanzano et al.	D13/40

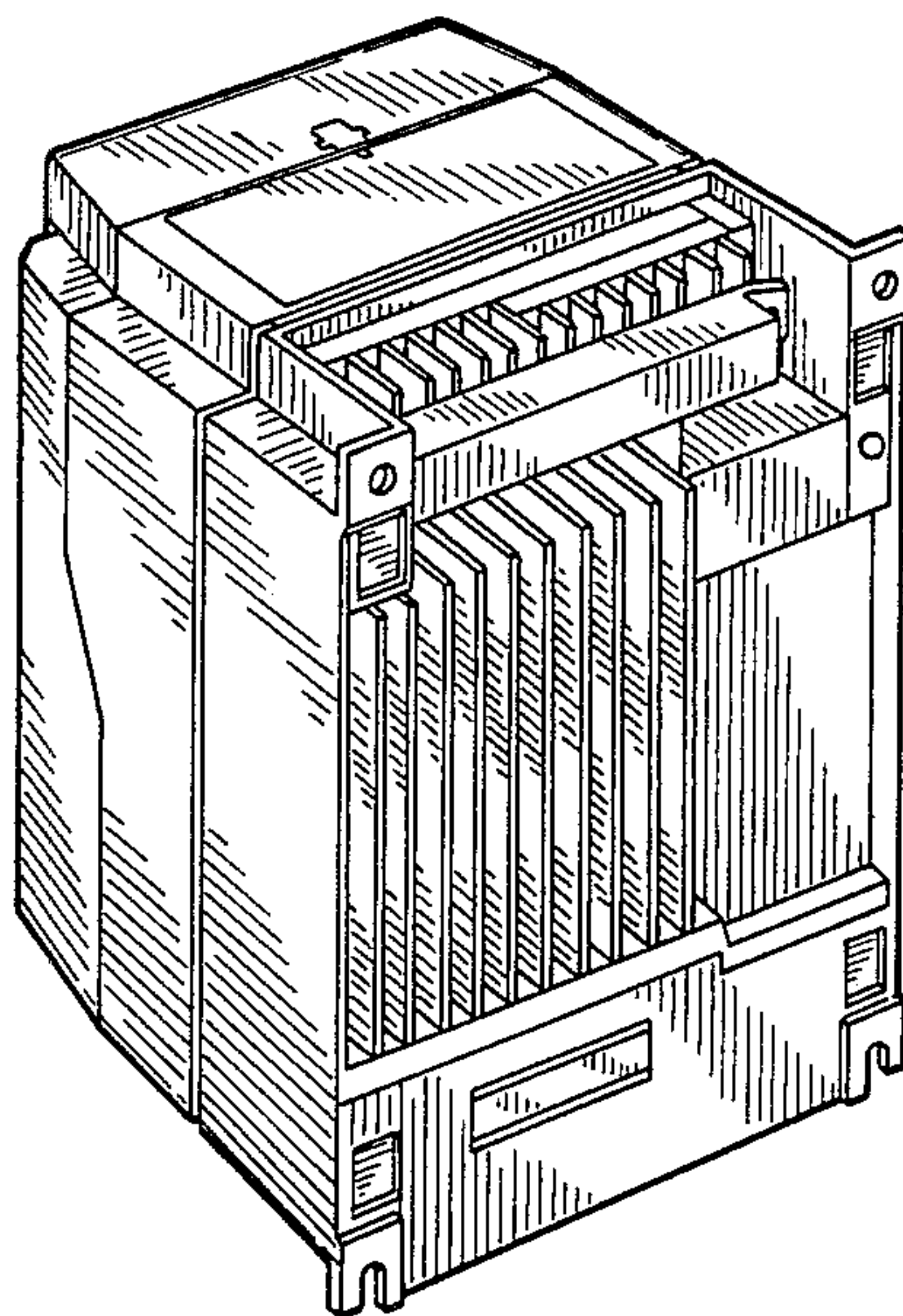
Primary Examiner—Wallace R. Burke  
Assistant Examiner—Ruth Takemoto  
Attorney, Agent, or Firm—Oblon, Fisher, Spivak, McClelland & Maier

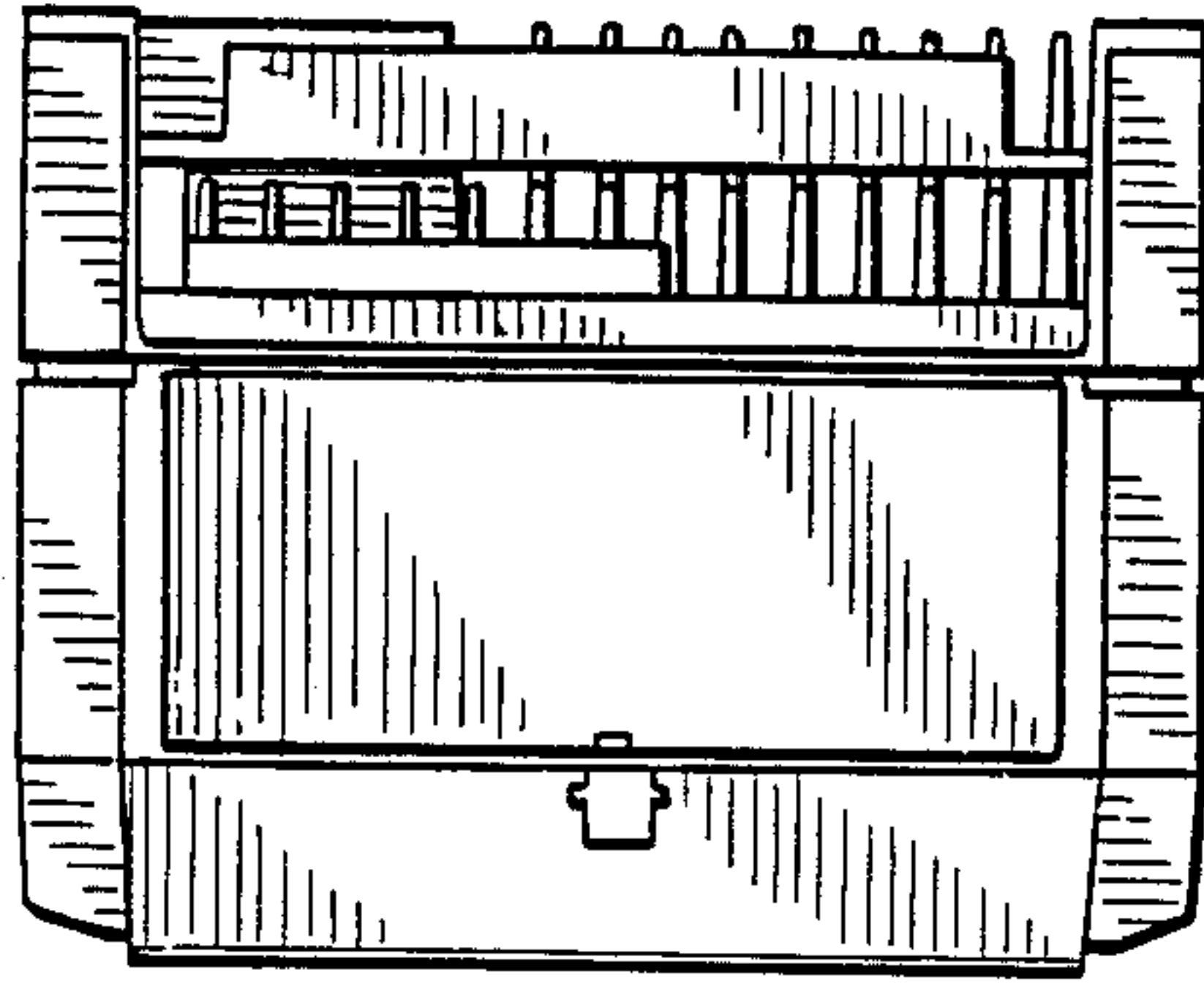
[57] CLAIM

The ornamental design for a power inverter, as shown.

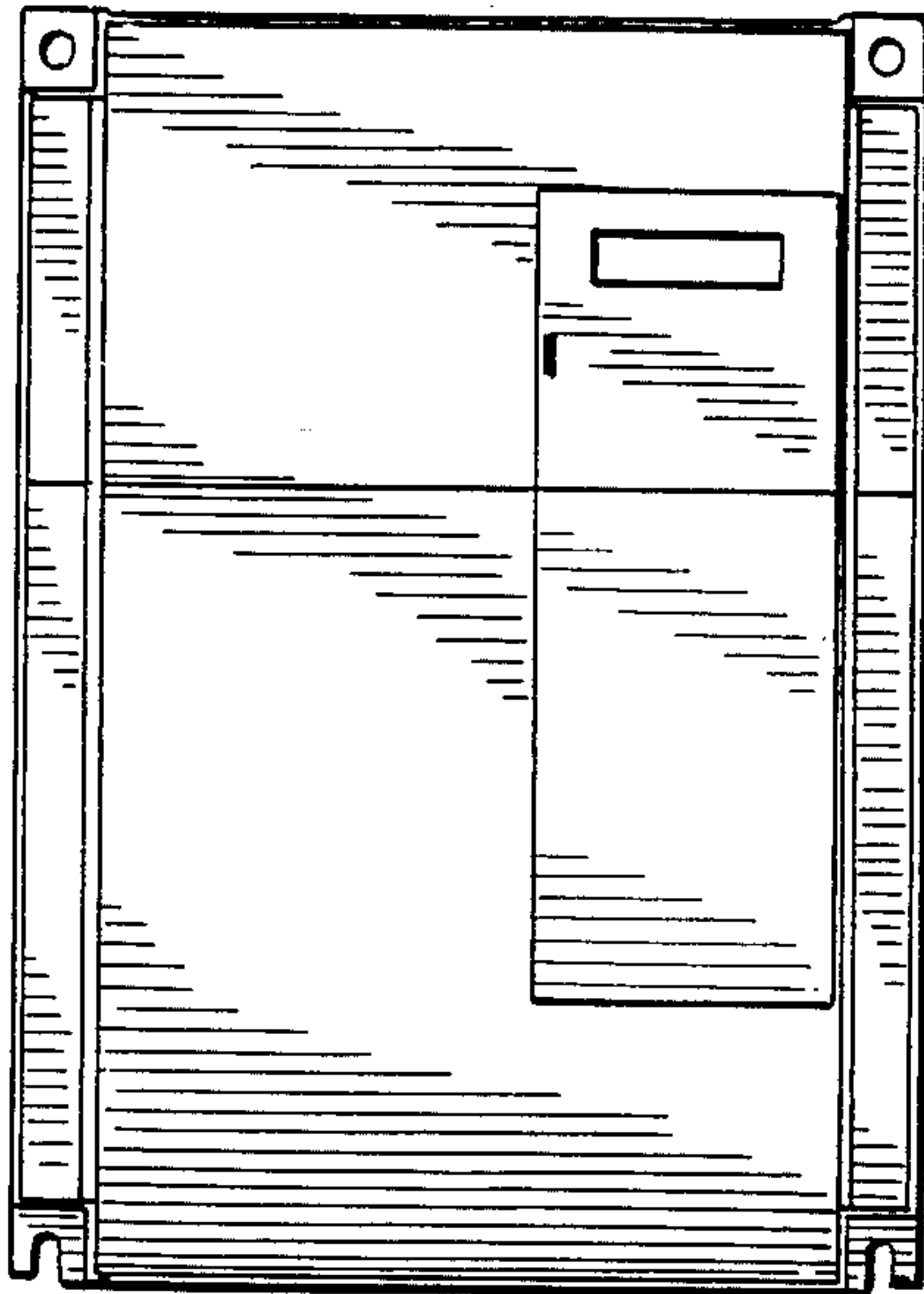
DESCRIPTION

FIG. 1 is a top plan view of a power inverter showing our new design;  
FIG. 2 is a front elevational view thereof;  
FIG. 3 is a right side elevational view thereof;  
FIG. 4 is a bottom plan view thereof;  
FIG. 5 is a rear elevational view thereof;  
FIG. 6 is a left side elevational view thereof, and;  
FIG. 7 is a top, rear and right side perspective view thereof.

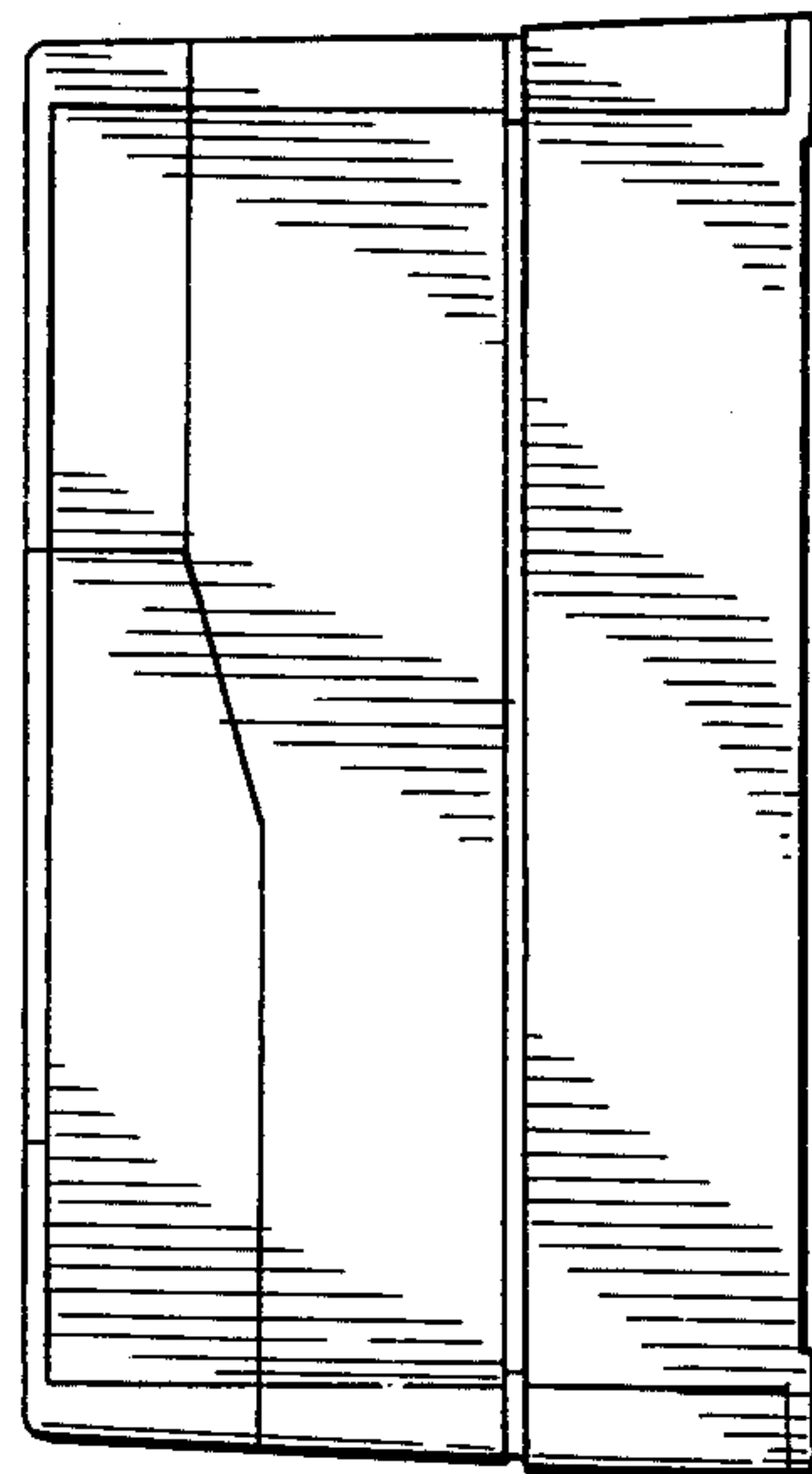




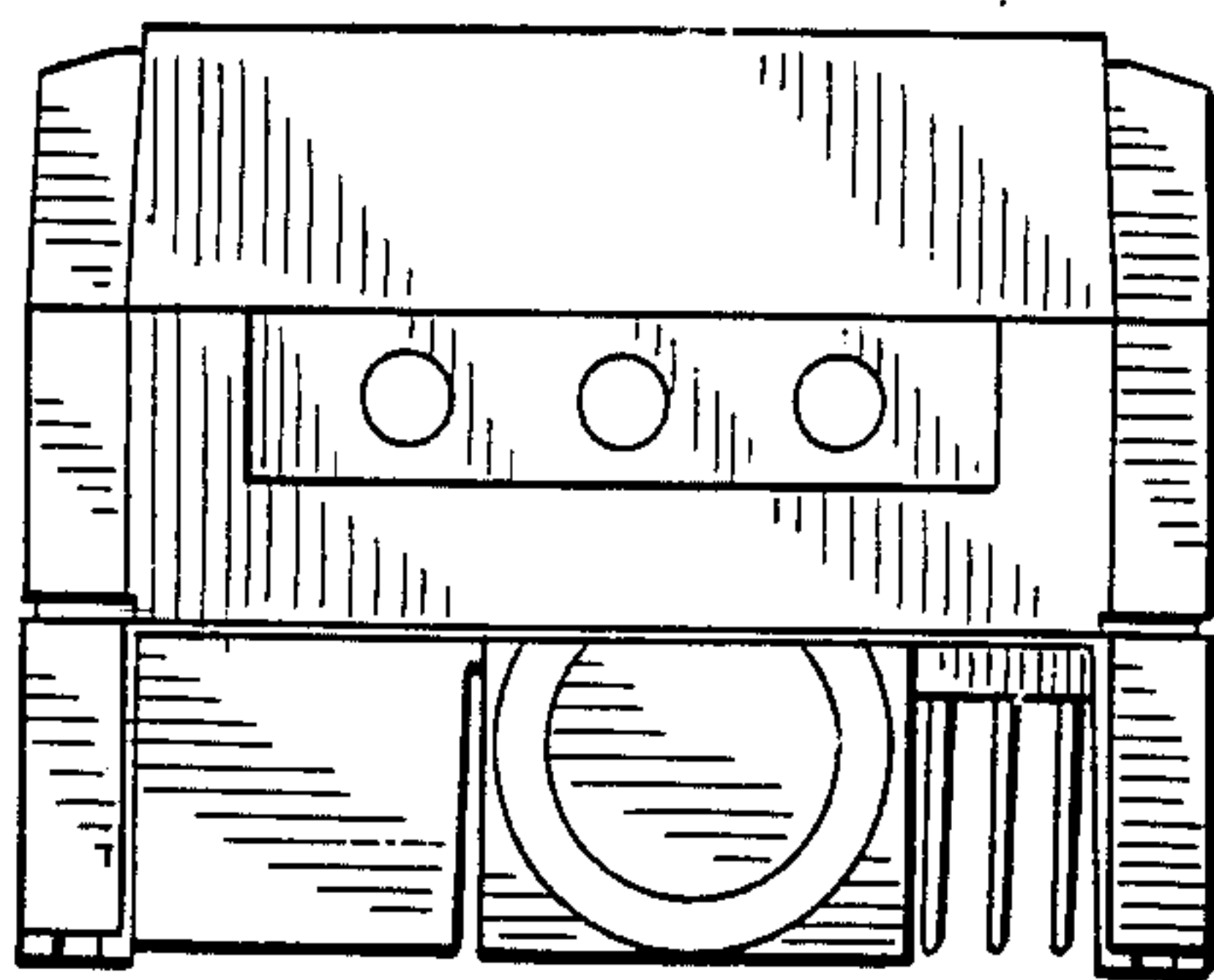
**FIG. 1**



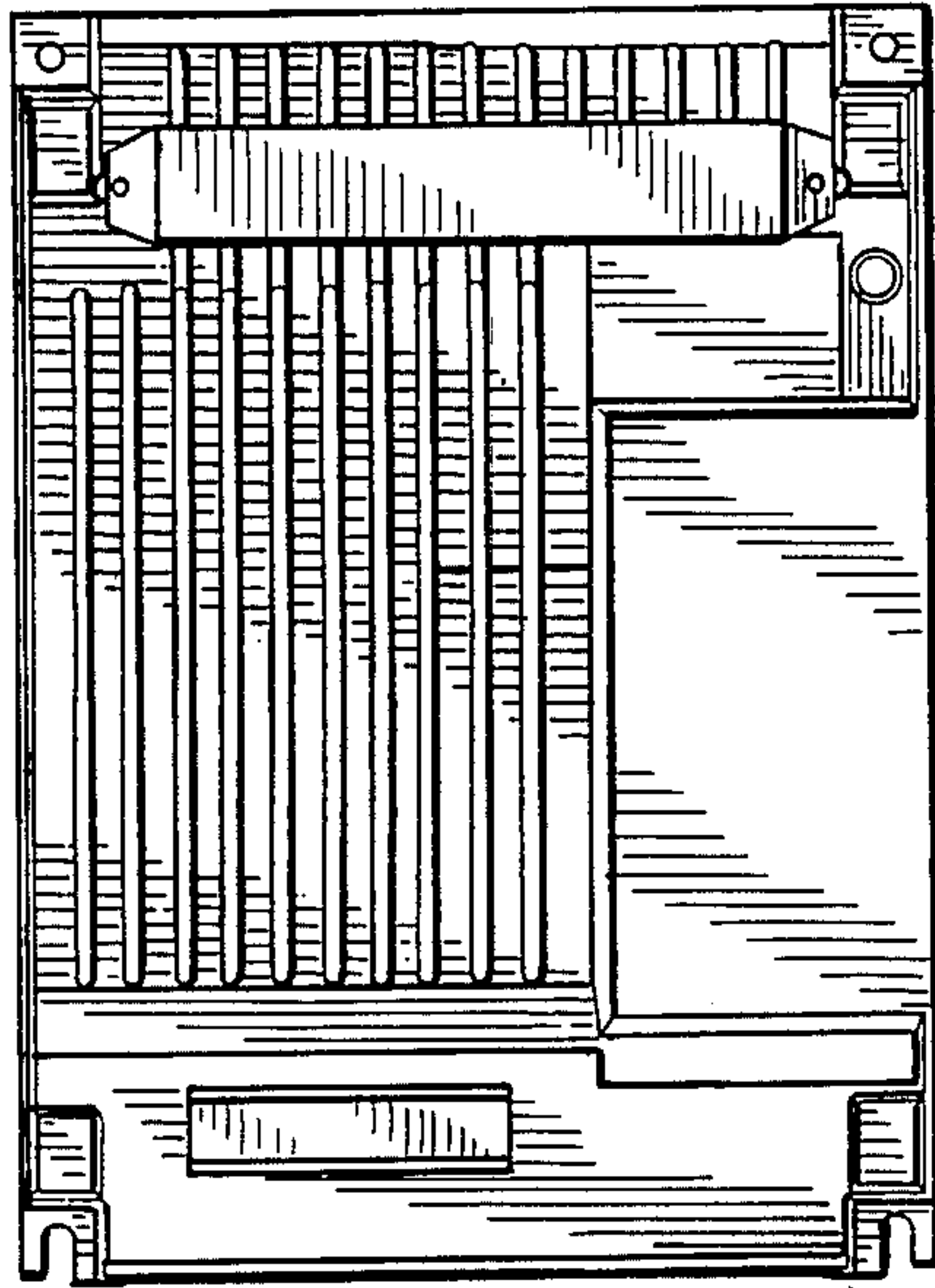
**FIG. 2**



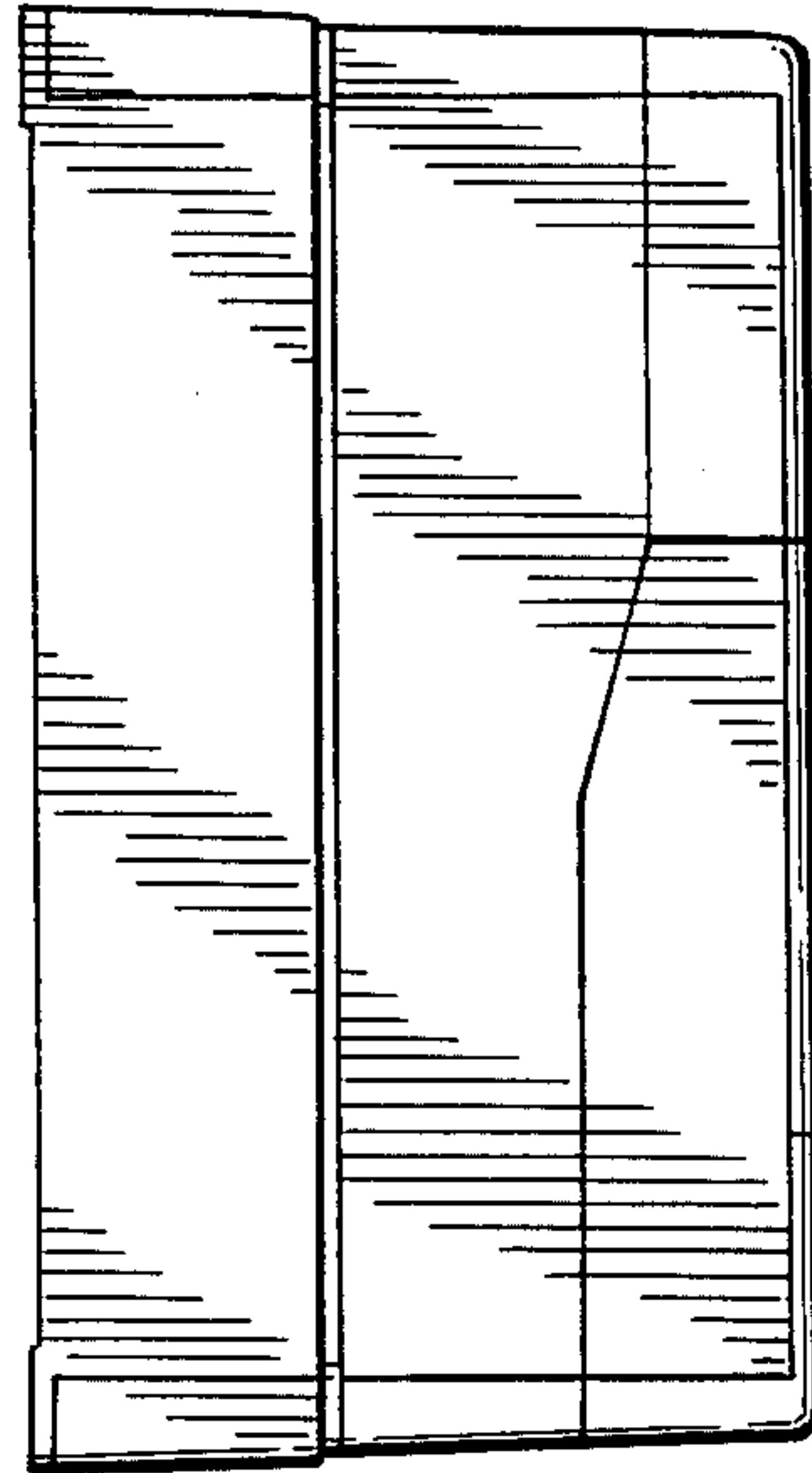
**FIG. 3**



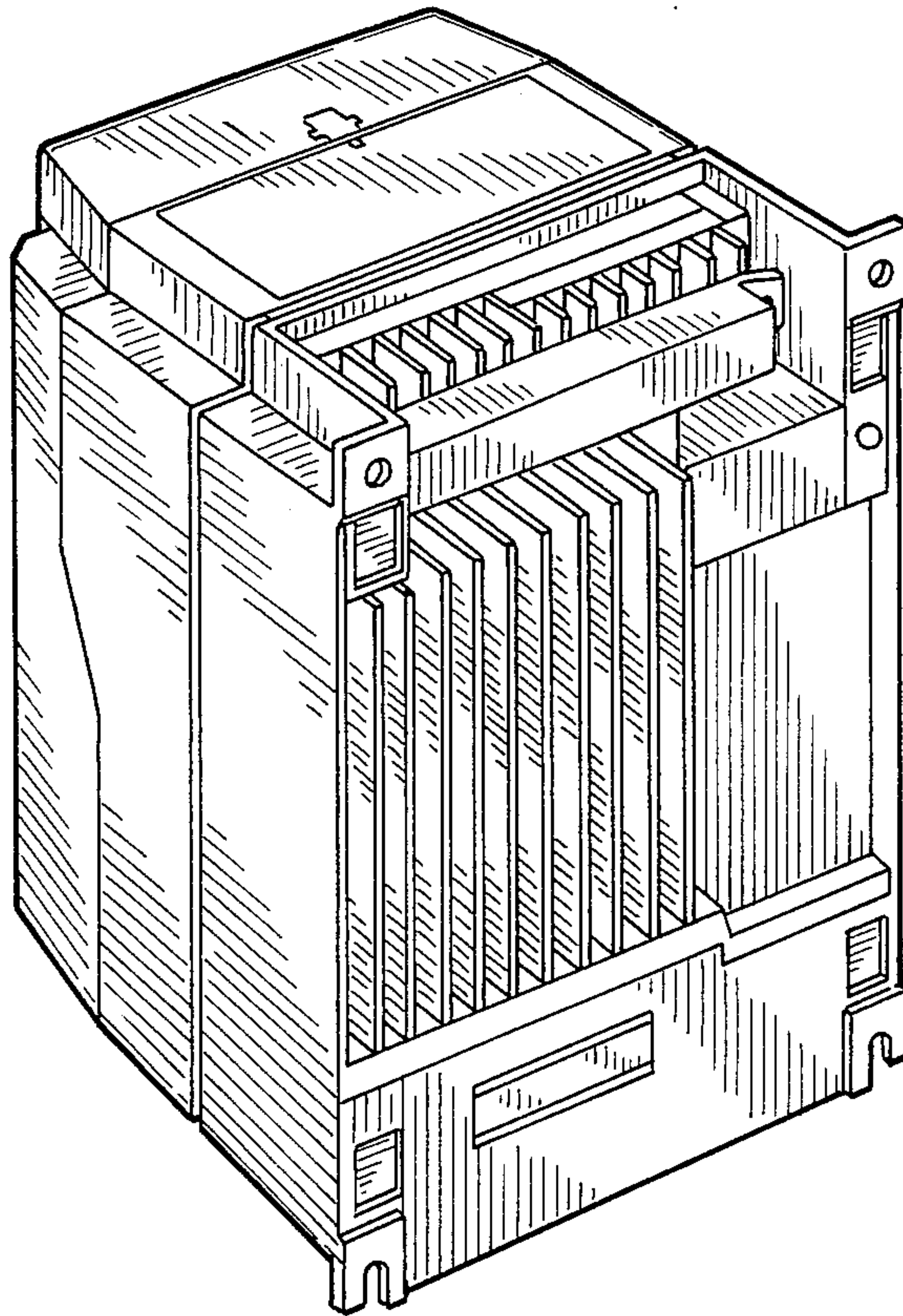
**FIG. 4**



**FIG. 5**



**FIG. 6**



**FIG. 7**