

[54] **RACK FOR AN AUTOMOBILE**

[75] **Inventor: Arne R. Holmström, Trollhättan, Sweden**

[73] **Assignee: Saab-Scania Aktiebolag, Trollhättan, Sweden**

[\*\*] **Term: 14 Years**

[21] **Appl. No.: 884,304**

[22] **Filed: Jul. 10, 1986**

[52] **U.S. Cl. .... D12/157**

[58] **Field of Search ..... D12/157; 224/309, 315, 224/317, 321, 322-325, 327, 329, 331**

[56] **References Cited**

**U.S. PATENT DOCUMENTS**

D. 246,238 11/1977 Boas ..... D12/157

**OTHER PUBLICATIONS**

J. C. Whitney catalog No. 458.D, © 1985, p. 107, permanent or demountable rear deck luggage rack for all cars, bottom left side of page.

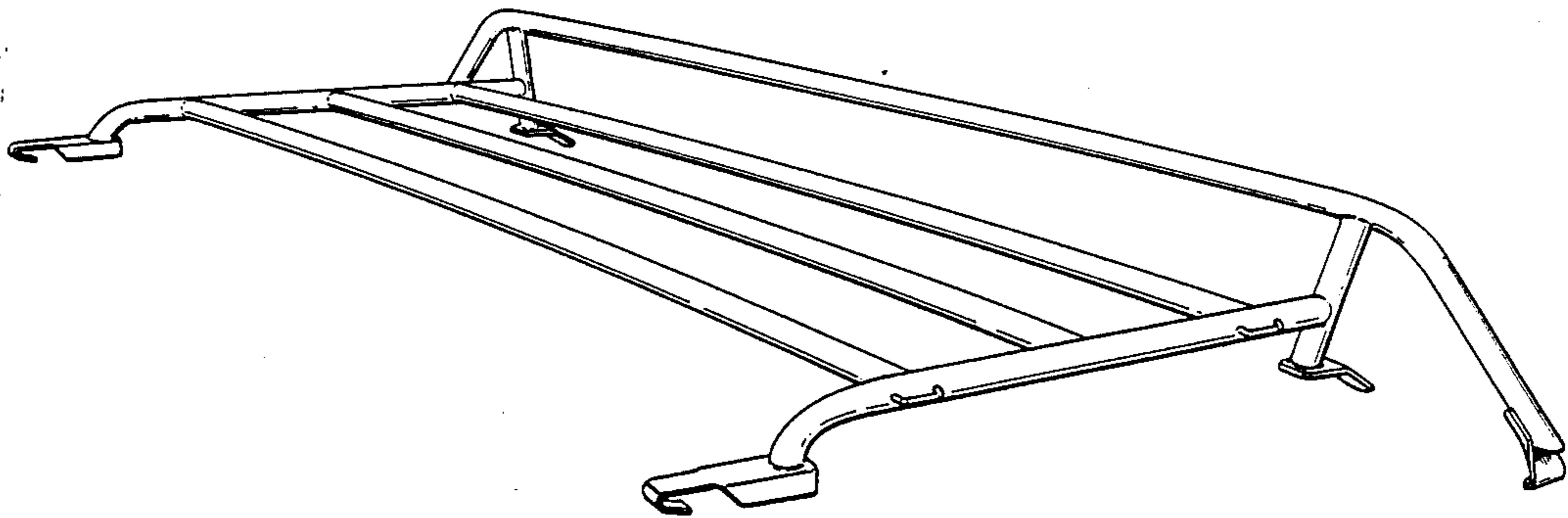
*Primary Examiner*—James M. Gandy  
*Attorney, Agent, or Firm*—Young & Thompson

[57] **CLAIM**

The ornamental design for a rack for an automobile as shown.

**DESCRIPTION**

FIG. 1 is a perspective view of a rack for an automobile showing my new design; and FIG. 2 is a perspective view thereof from the side opposite that shown in FIG. 1.



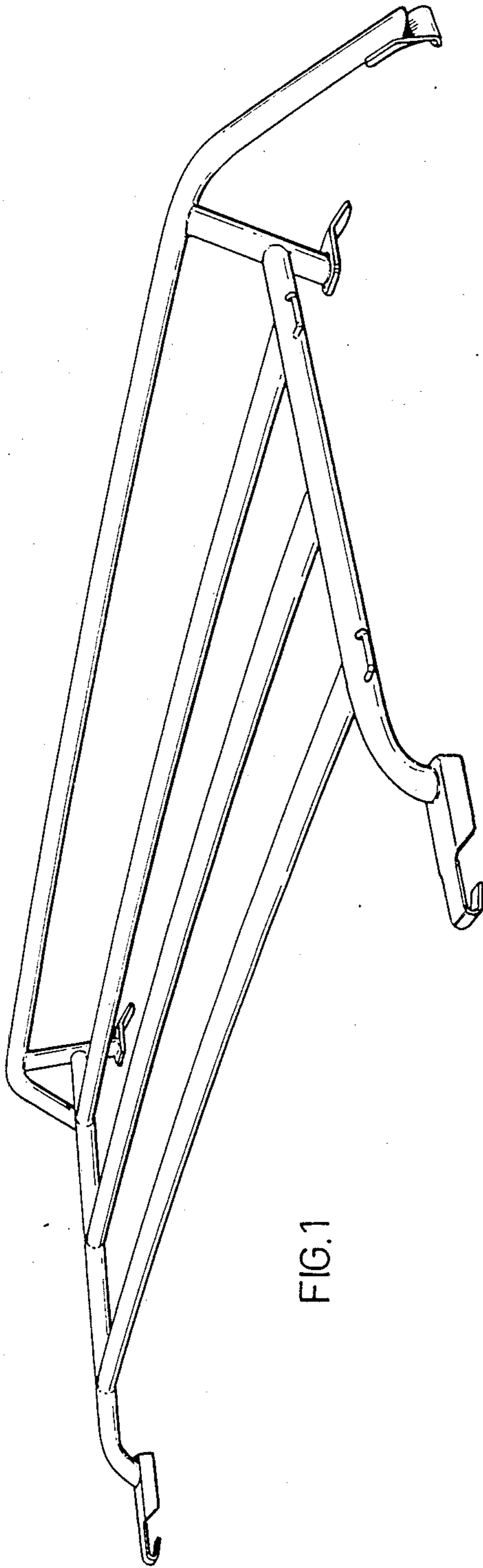


FIG. 1

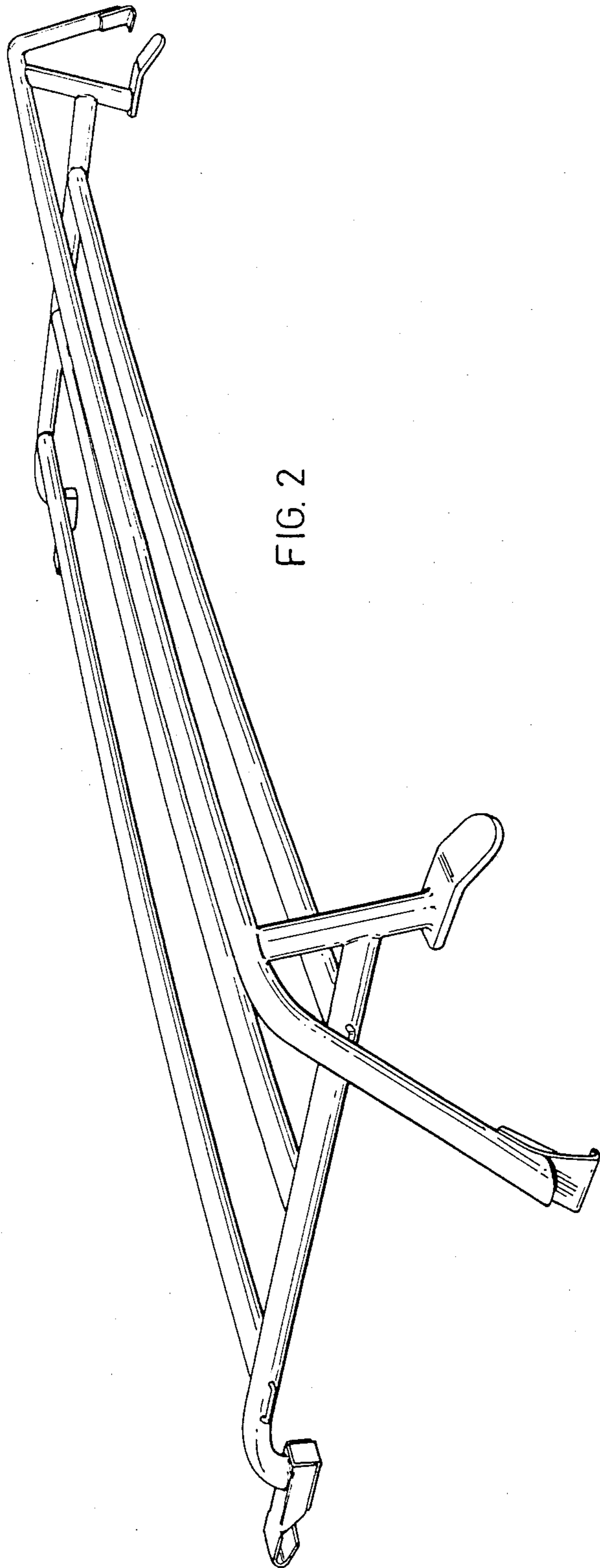


FIG. 2