

[54] CARGO LINER FOR OPEN CARGO COMPARTMENT OF AN AUTOMOBILE

[76] Inventor: Thomas F. Hamilton, 1634 Ixias Court, San Jose, Calif. 95124

[**] Term: 14 Years

[21] Appl. No.: 863,390

[22] Filed: May 14, 1986

[52] U.S. Cl. D12/155

[58] Field of Search D12/155; 296/39 R

[56] References Cited

U.S. PATENT DOCUMENTS

D. 289,513 4/1987 Hankinson, Jr. D12/155

FOREIGN PATENT DOCUMENTS

599572 11/1958 Italy 296/39 R

Primary Examiner—James M. Gandy
Attorney, Agent, or Firm—Thomas E. Schatzel

[57] CLAIM

The ornamental design for a cargo liner for open cargo compartment of an automobile, as shown and described.

DESCRIPTION

FIG. 1 is a perspective view of a cargo liner for open cargo compartment of an automobile showing my new design;

FIG. 2 is a top plan view thereof;

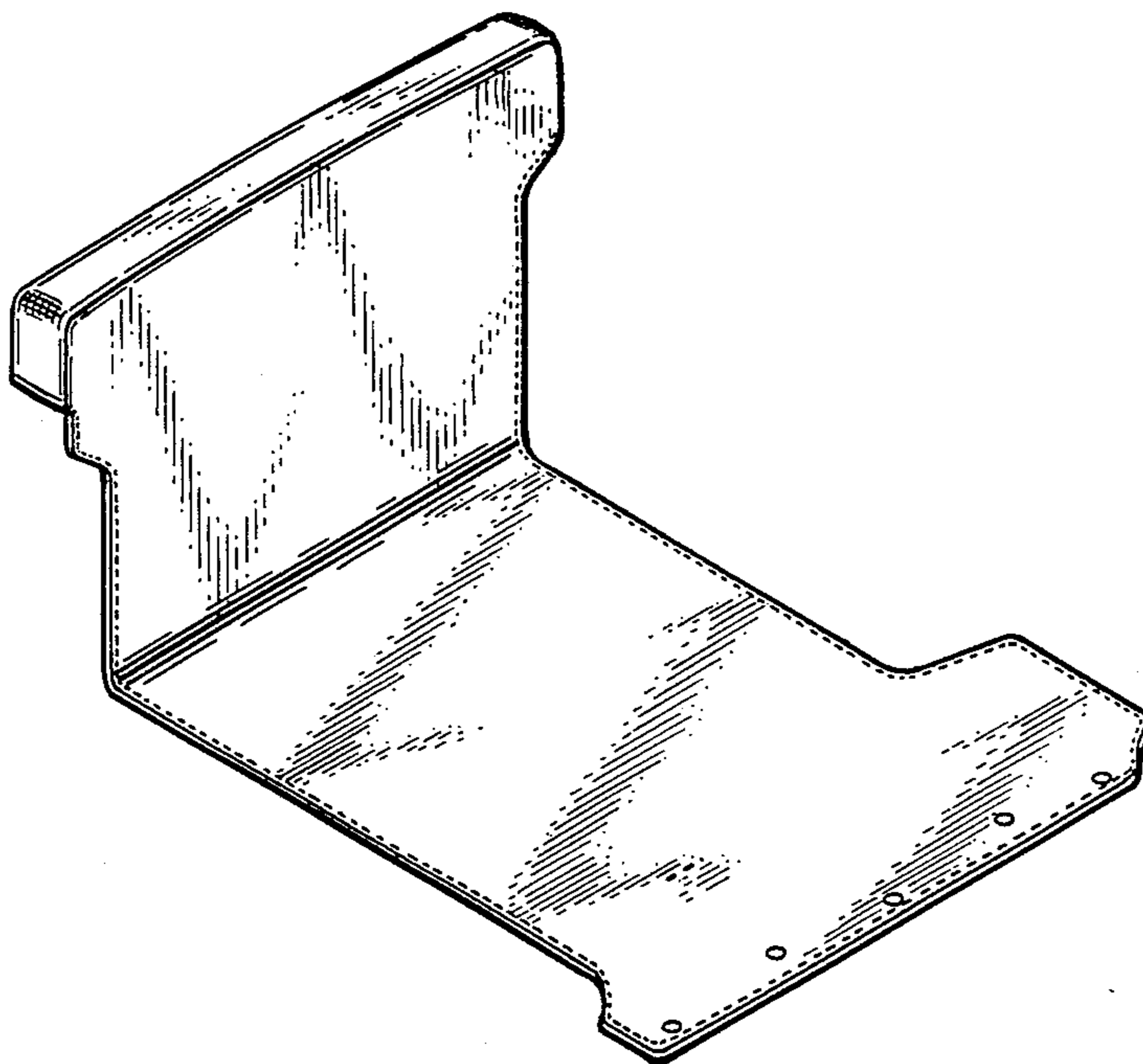
FIG. 3 is a bottom plan view thereof.

FIG. 4 is a right side elevational view thereof;

FIG. 5 is a left side elevational view thereof;

FIG. 6 is a front elevational view thereof; and

FIG. 7 is a rear elevational view thereof.



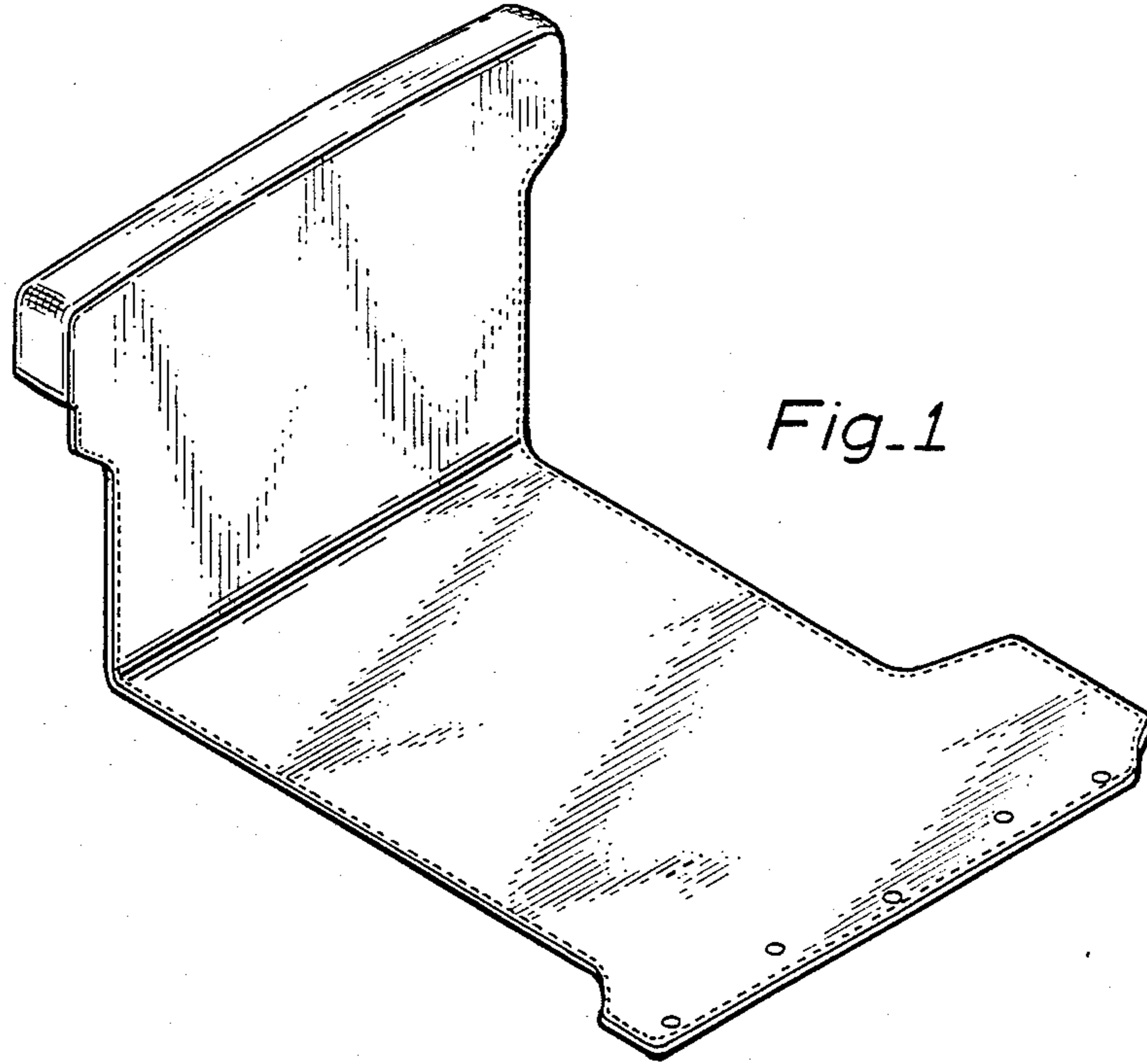


Fig-1

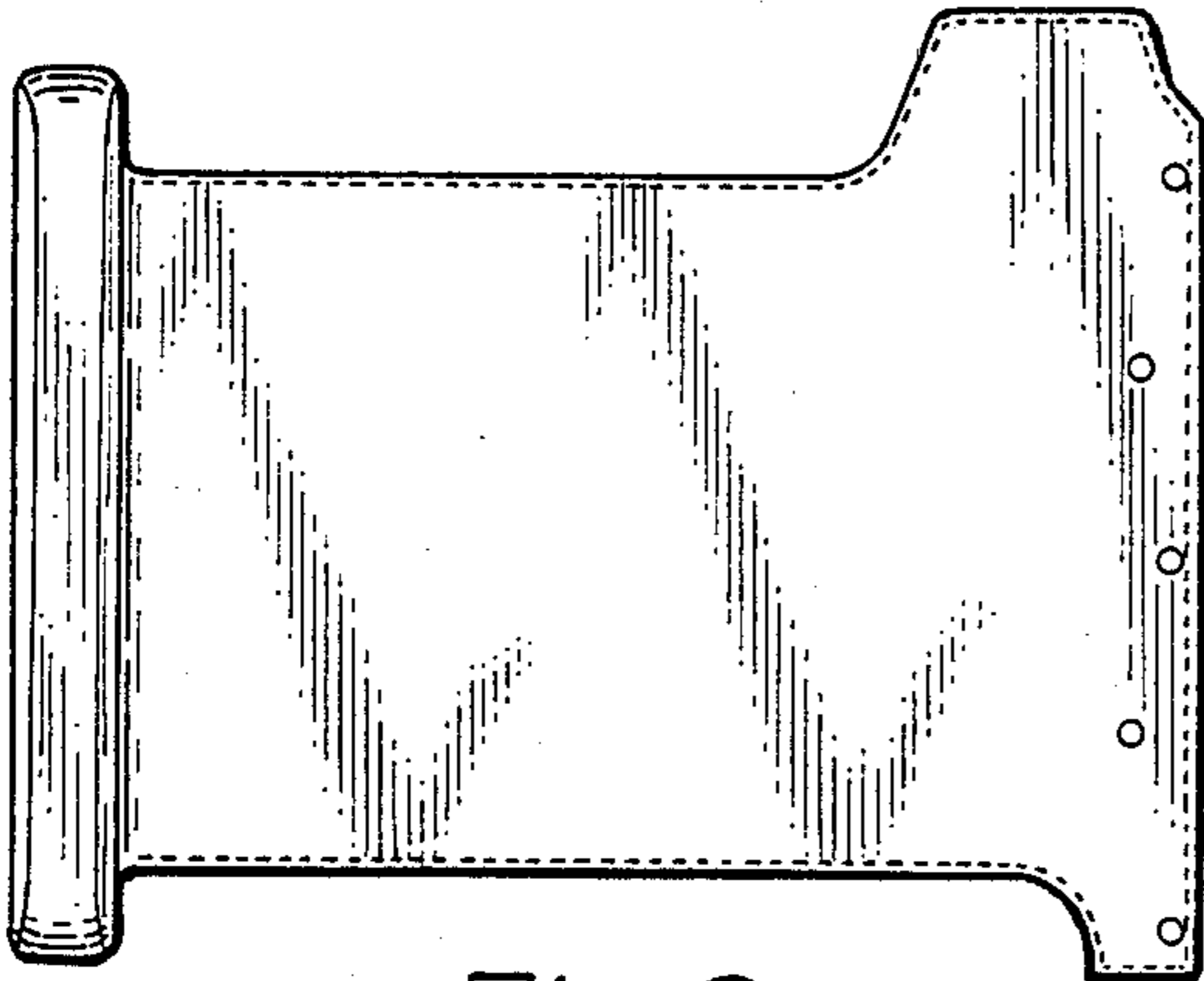


Fig-2

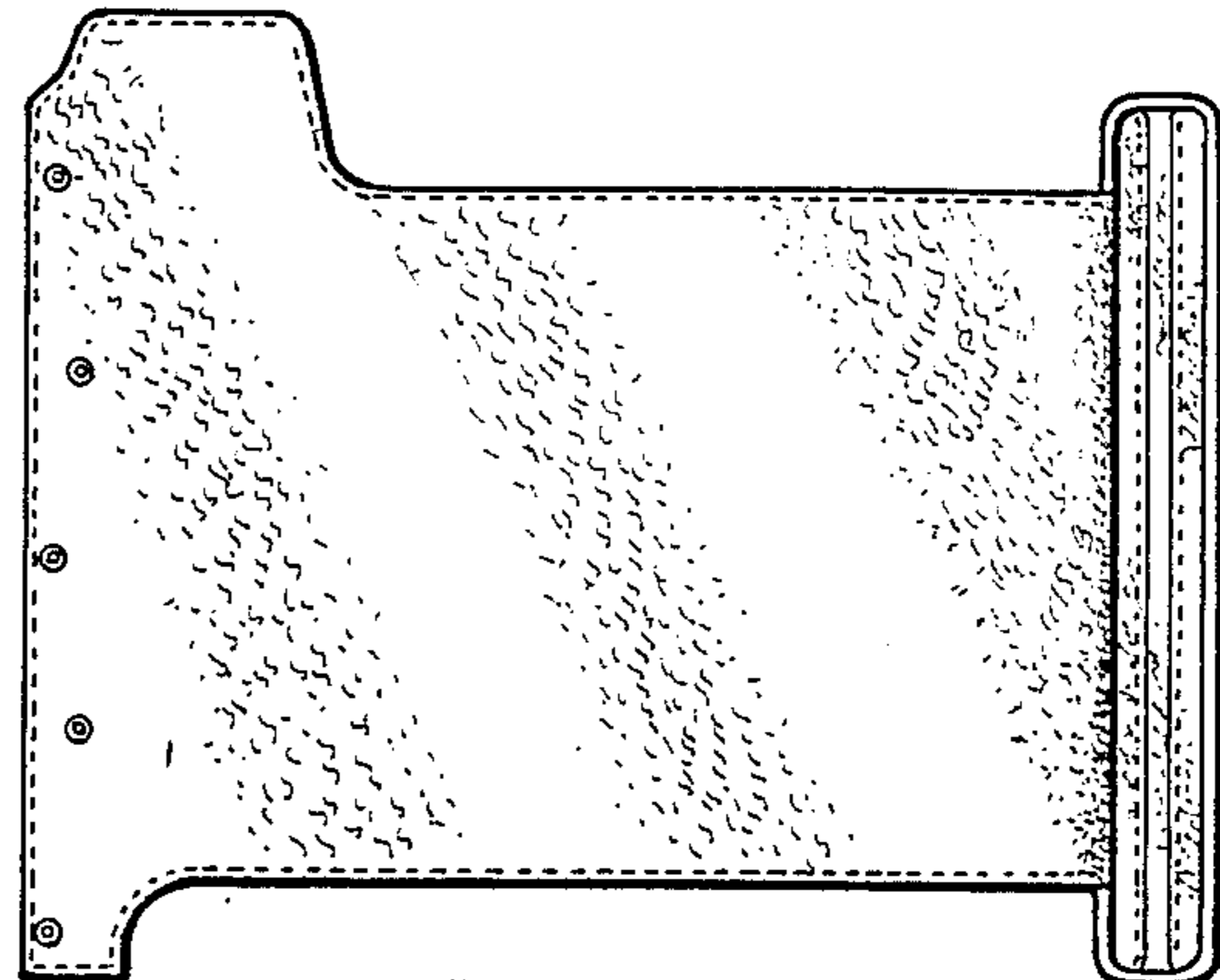


Fig-3

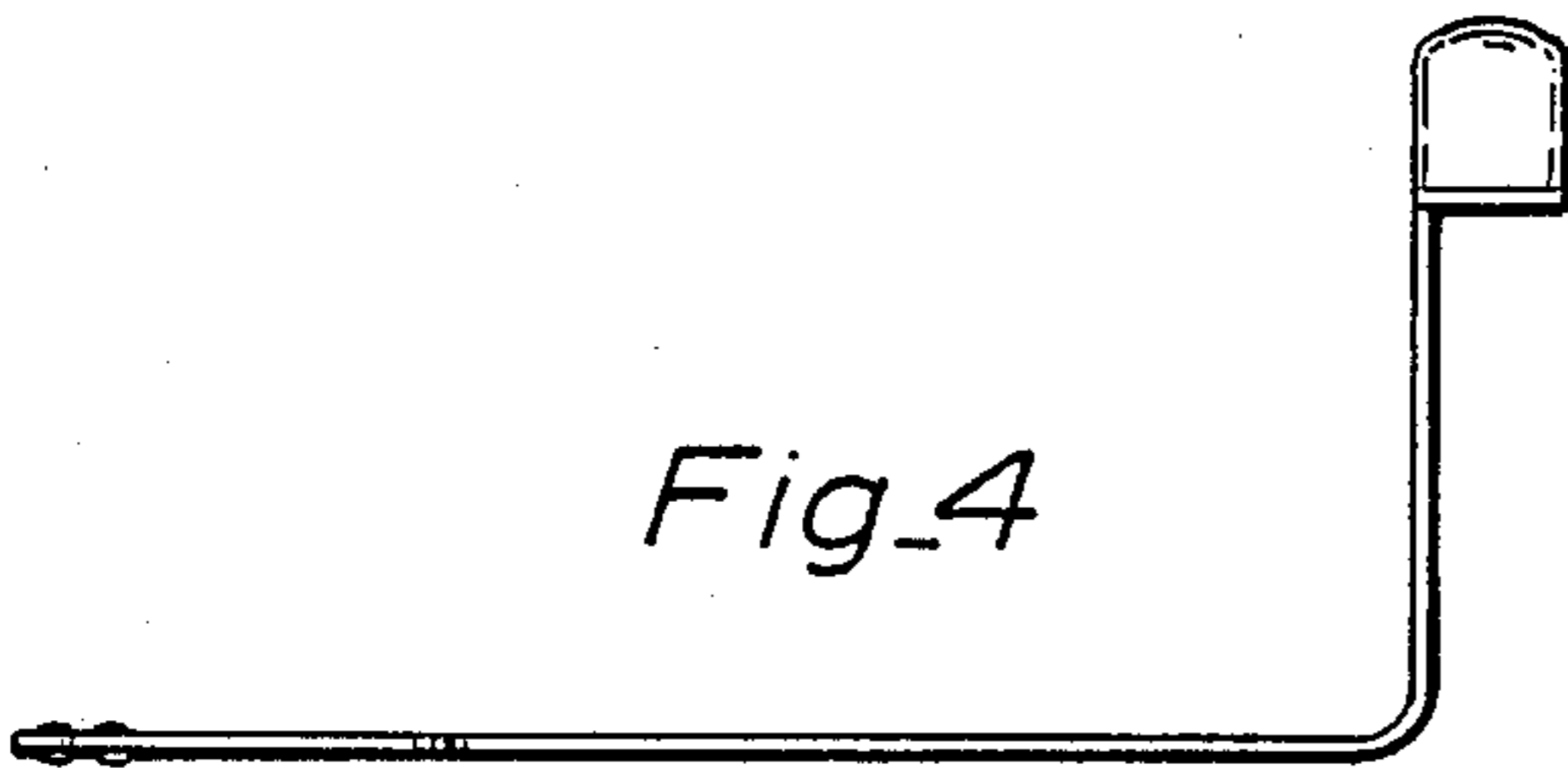


Fig-4

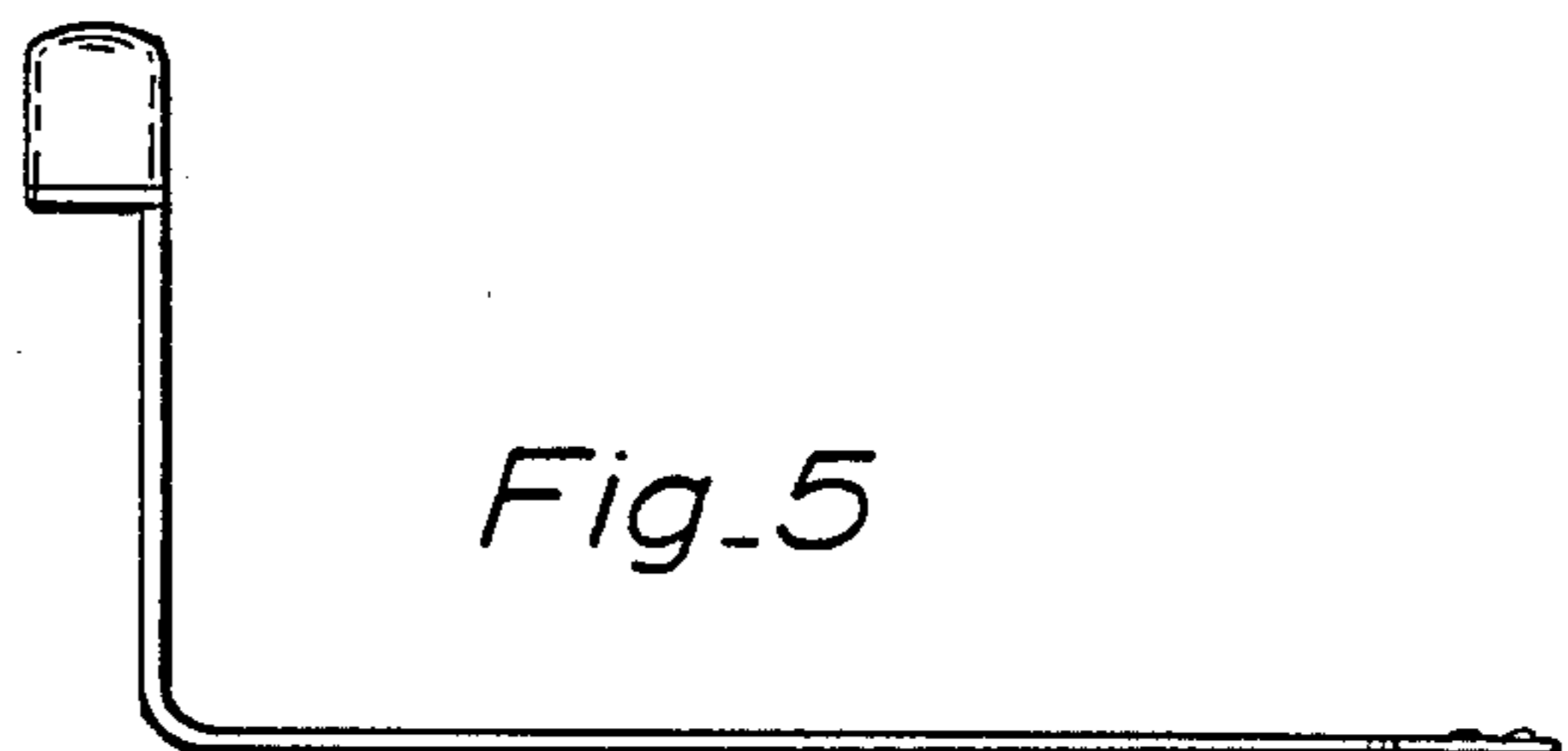


Fig-5

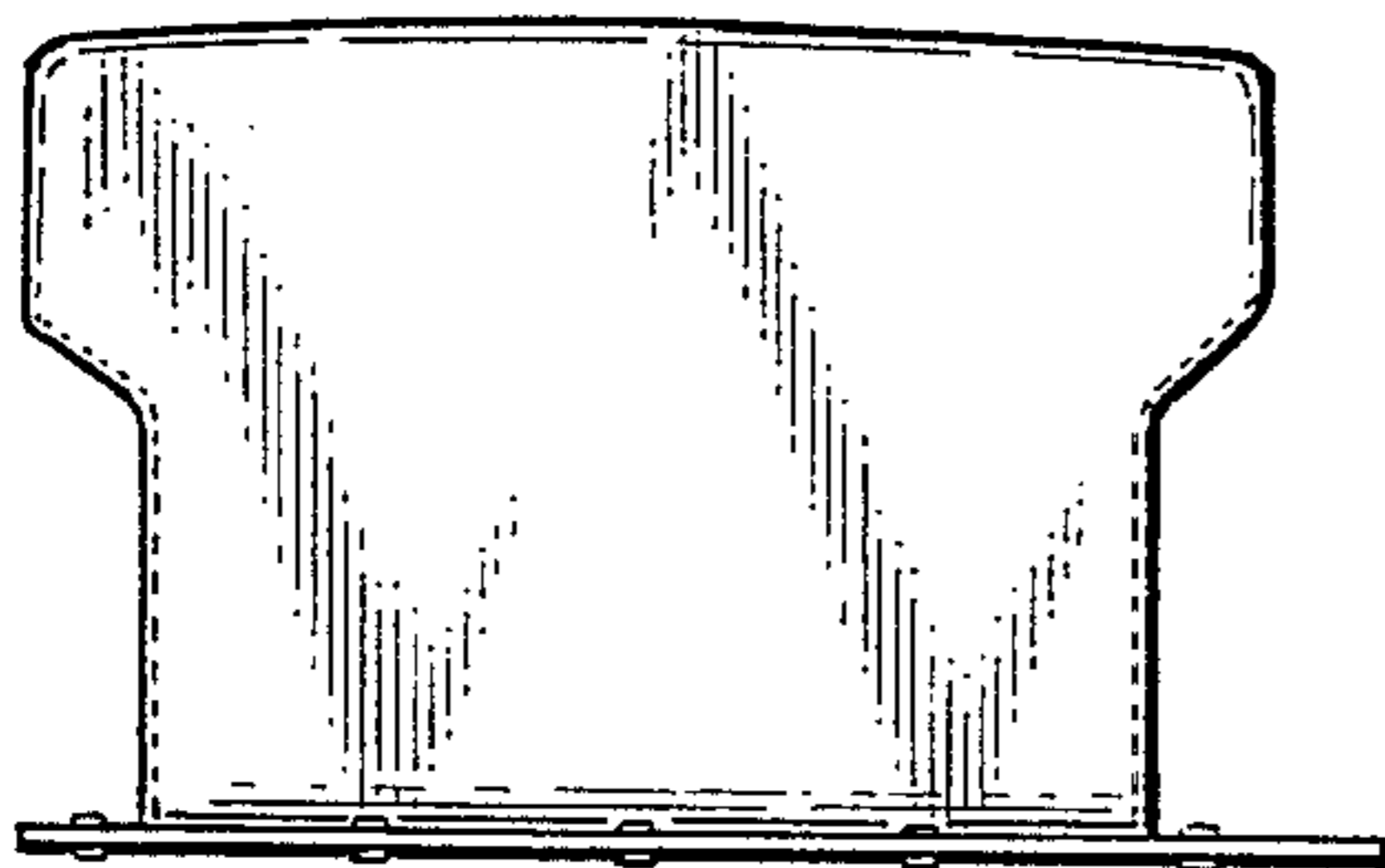


Fig-6

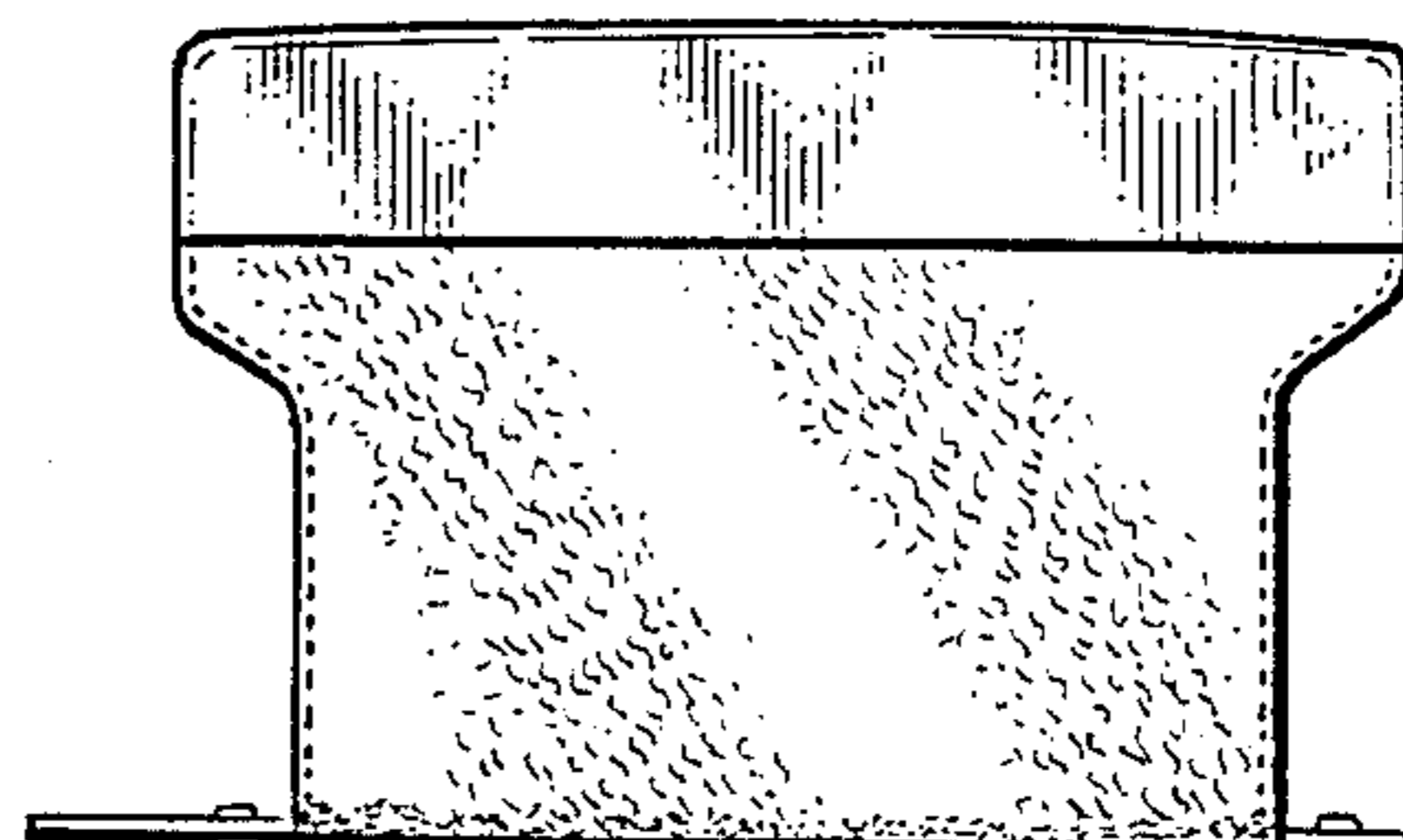


Fig-7