

[54] SEAT UNIT FOR HEALTH CARE WALKER

[76] Inventors: Elder Burkhart, deceased, late of Richmond; by James Burkhart, executor, 2519 E. Main; Ruth C. Mason, 1674 SW. 39th St., both of Richmond, all of Ind. 47374

[**] Term: 14 Years

[21] Appl. No.: 643,190

[22] Filed: Aug. 22, 1984

[52] U.S. Cl. D12/133; D6/347; D6/362

[58] Field of Search D12/133; D6/365, 347, D6/362, 555; D8/382, 392; 297/6, 5

[56] References Cited

U.S. PATENT DOCUMENTS

- D. 181,602 12/1957 Polk D6/555
- D. 244,072 4/1977 Schaecher D6/555
- 1,448,783 3/1923 Blewitt et al. 297/6

- 3,256,035 6/1966 Garringer 297/6
- 3,354,893 11/1967 Schmerl 297/6
- 4,345,790 8/1982 Coe 297/6
- 4,532,948 8/1985 Burrows 297/6

Primary Examiner—James M. Gandy
Assistant Examiner—Kay H. Chin
Attorney, Agent, or Firm—Dennis L. Kreps

[57] CLAIM

The ornamental design for a seat unit for health care walker, substantially as shown and described.

DESCRIPTION

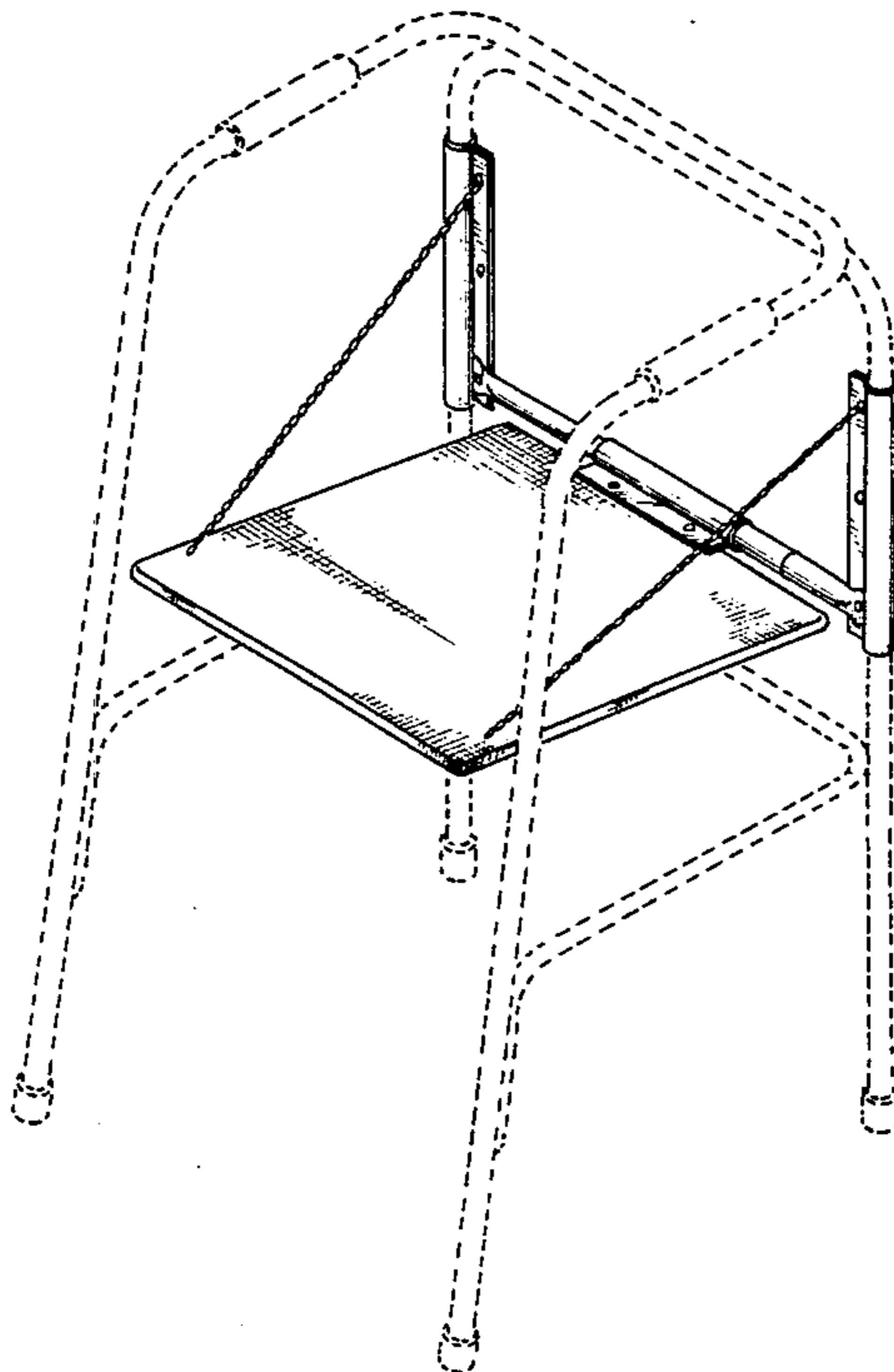
FIG. 1 is a front perspective view of a seat unit for health care walker showing our new design, the broken lines are for illustrative purposes only and form no part of the claimed design;

FIG. 2 is an enlarged side elevation view thereof;

FIG. 3 is an enlarged bottom plan view thereof;

FIG. 4 is an enlarged rear elevation view thereof.

The chain in FIG. 2 is shown broken away for convenience of illustration.



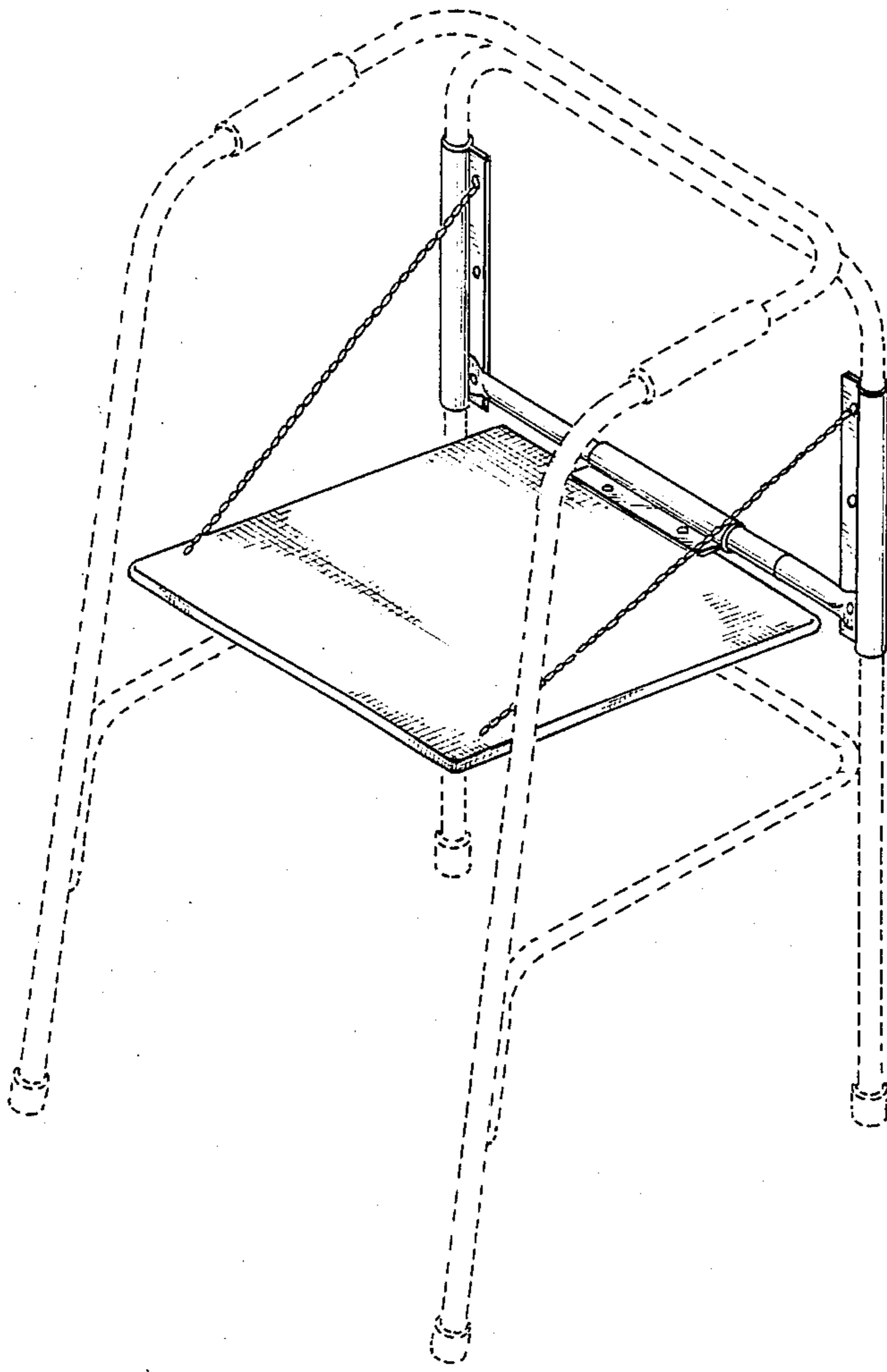


FIG. 1

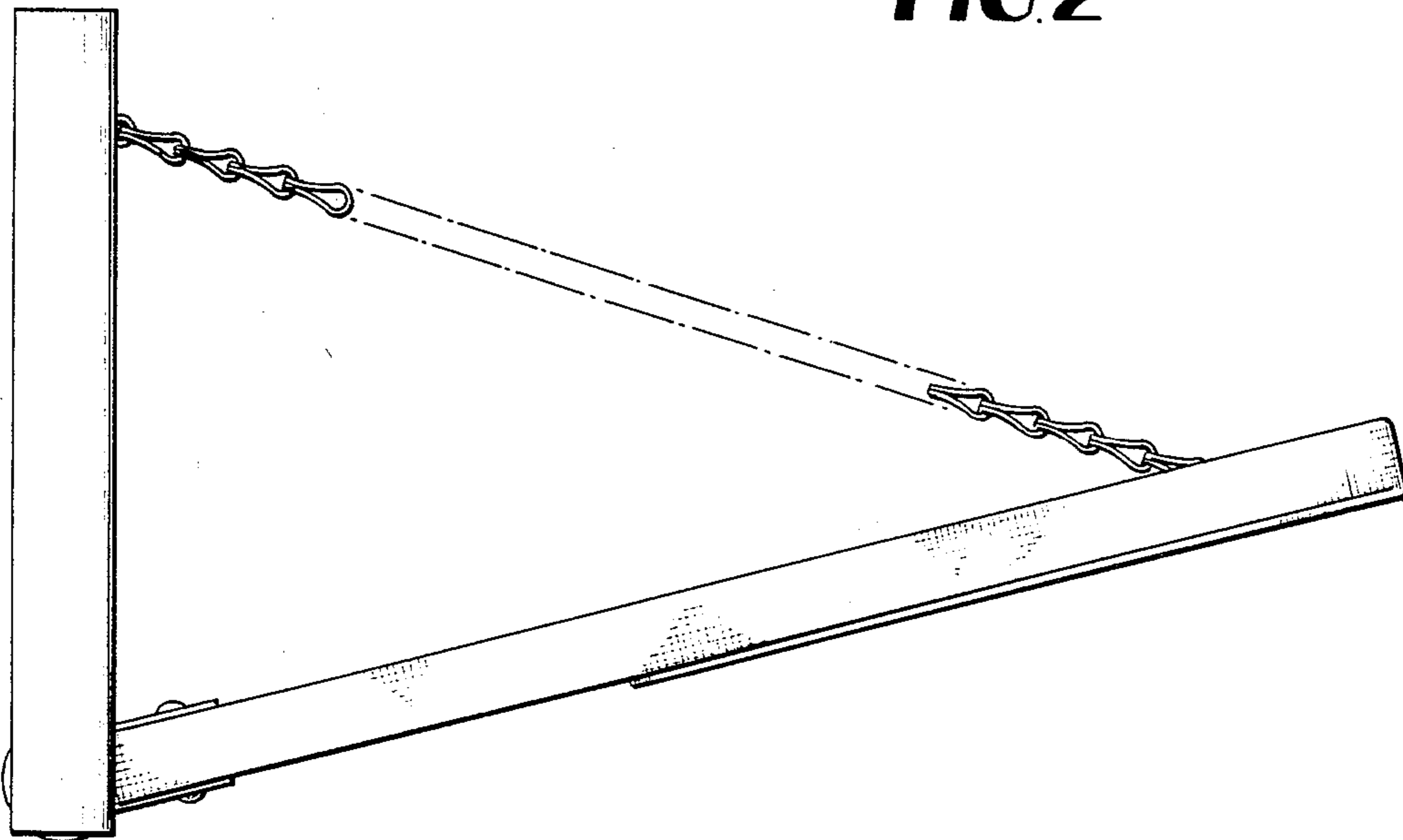


FIG. 2

FIG. 3

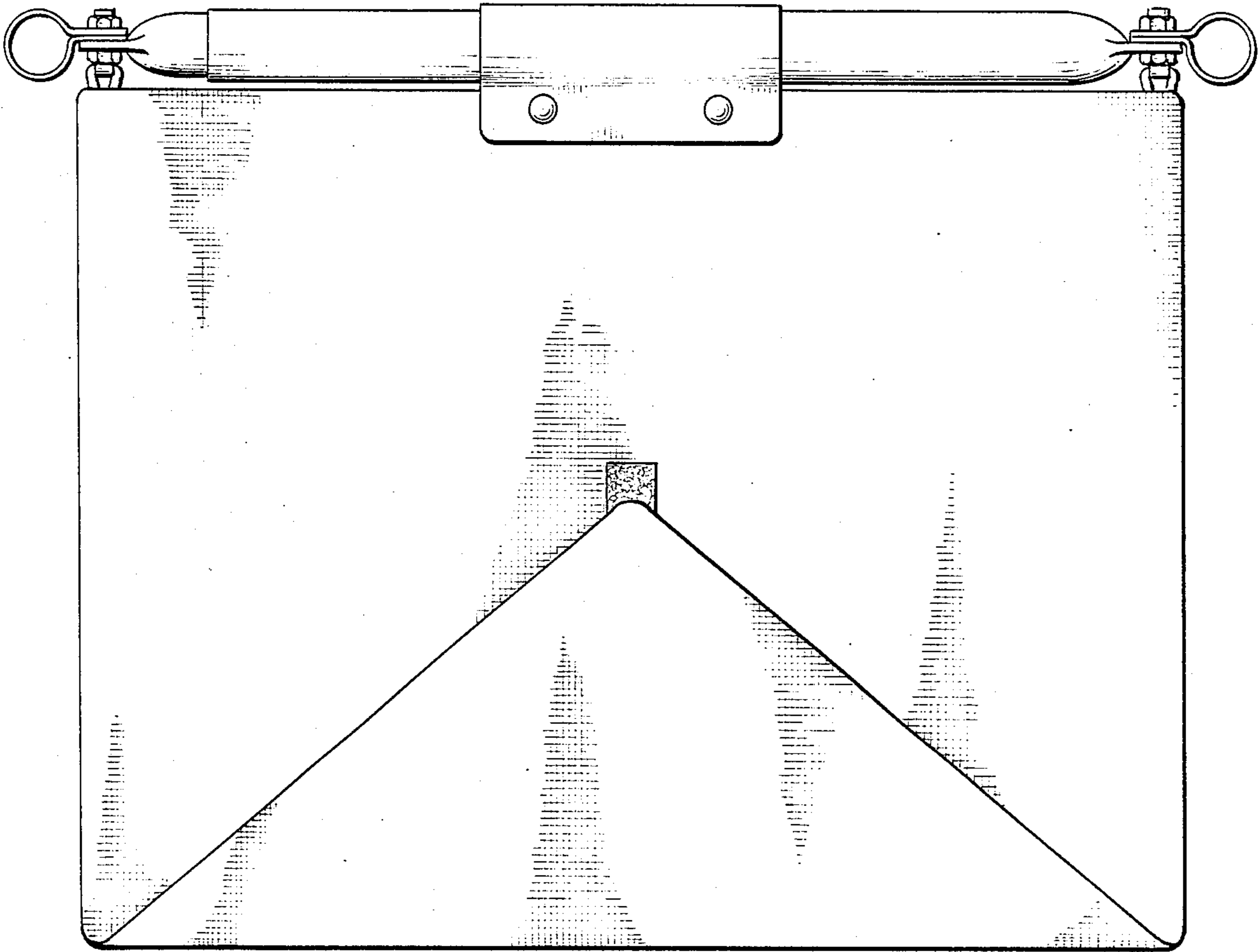


FIG. 4

