

[54] **BABY CARRIAGE**

4,743,043 5/1988 Shamie 280/644

[75] **Inventor: Kenzou Kassai, Osaka, Japan**

FOREIGN PATENT DOCUMENTS

[73] **Assignee: Aprica Kassai Kabushikikaisha,
Osaka, Japan**

239367 9/1987 European Pat. Off. 280/642

2652288 6/1977 Fed. Rep. of Germany 280/642

2145982 4/1985 United Kingdom 280/47.38

[**] **Term: 14 Years**

Primary Examiner—Wallace R. Burke

Assistant Examiner—Kay H. Chin

Attorney, Agent, or Firm—W. G. Fasse; D. H. Kane, Jr.

[21] **Appl. No.: 932,894**

[22] **Filed: Nov. 18, 1986**

[57] **CLAIM**

[30] **Foreign Application Priority Data**

May 20, 1986 [JP] Japan 61-19279

[52] **U.S. Cl. D12/129**

[58] **Field of Search D12/129, 130, 128;
280/47, 38, 642, 643, 644, 649, 650, 647, 648;
297/DIG. 4**

The ornamental design for a baby carriage, as shown and described.

DESCRIPTION

FIG. 1 is a front view of a baby carriage showing my new design;

FIG. 2 is a rear view thereof;

FIG. 3 is a top plan view thereof;

FIG. 4 is a bottom plan view thereof;

FIG. 5 is a left side view thereof;

FIG. 6 is a right side view thereof;

FIG. 7 is a front perspective view thereof; and

FIG. 8 is a front perspective view thereof in folded condition.

[56] **References Cited**

U.S. PATENT DOCUMENTS

D. 248,938 8/1978 Firth et al. D12/129

D. 262,696 1/1982 Perego D12/129

D. 288,678 3/1987 Jane D12/129

4,265,466 5/1981 Kassai 280/47.38



FIG.1

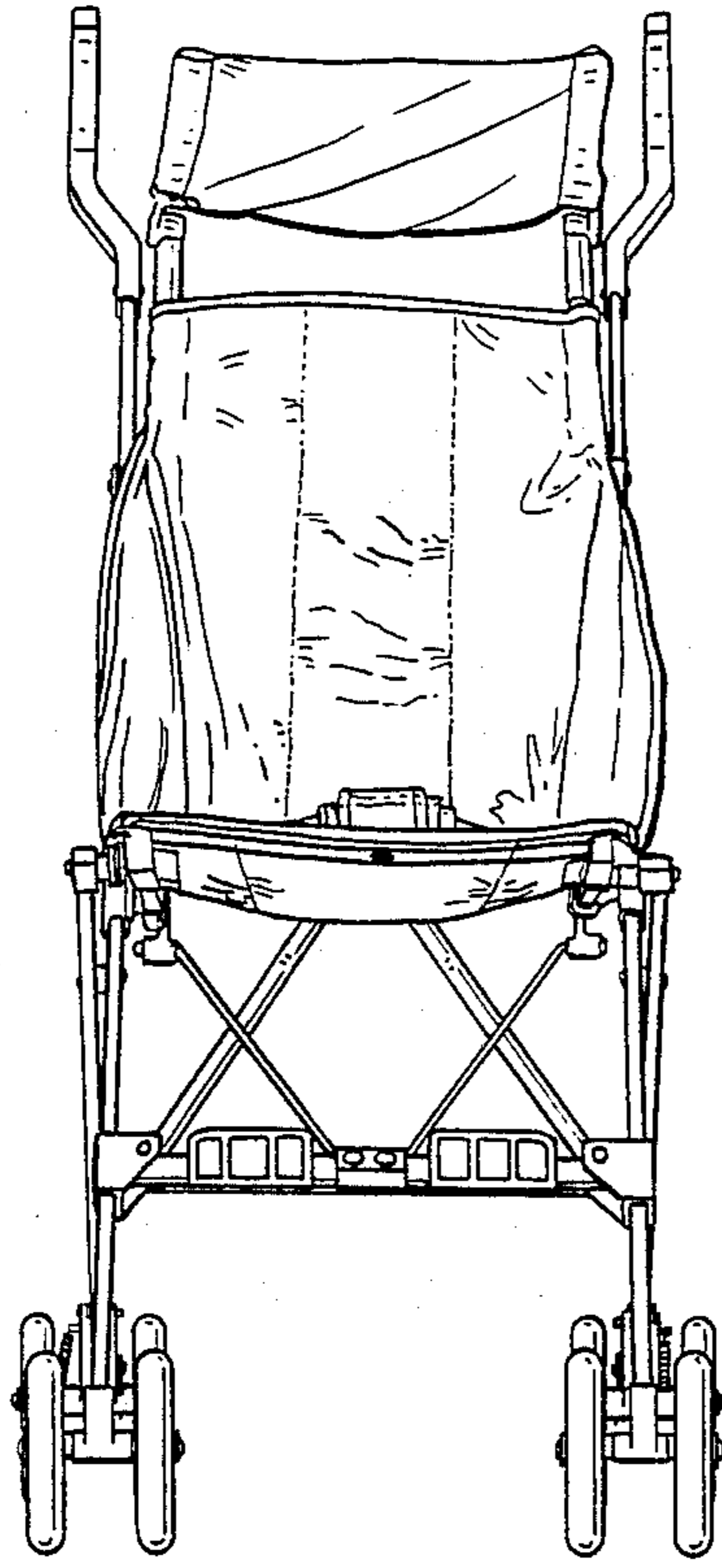


FIG.2

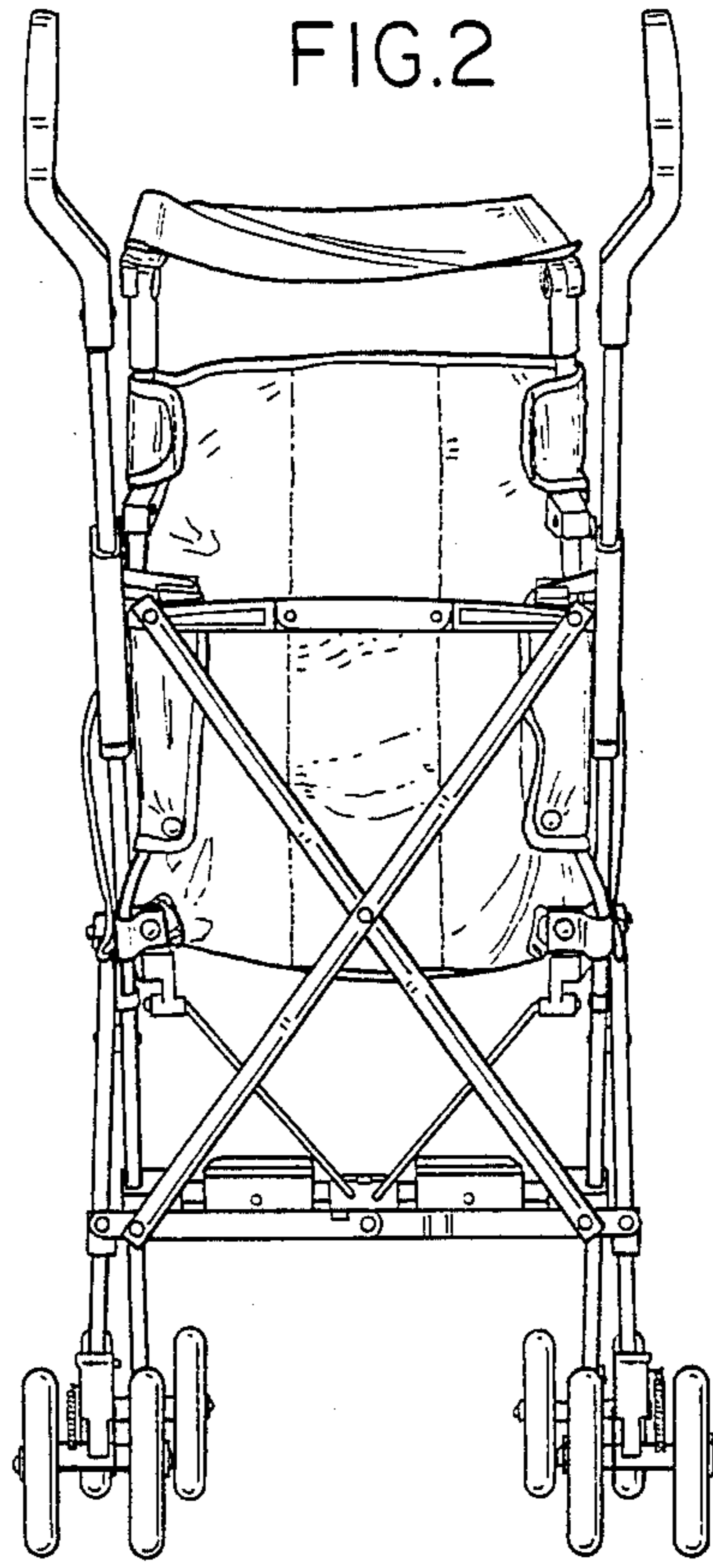
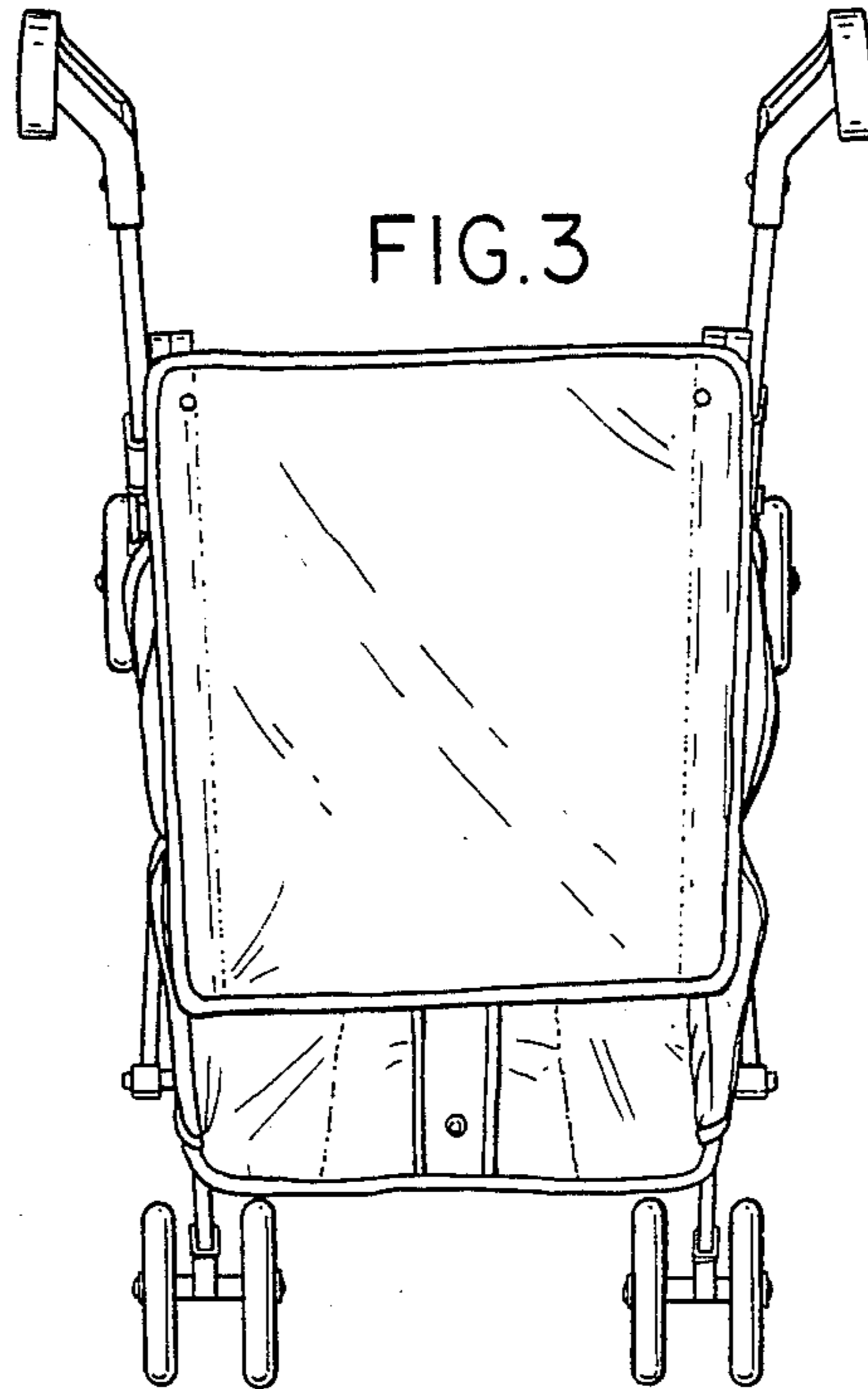
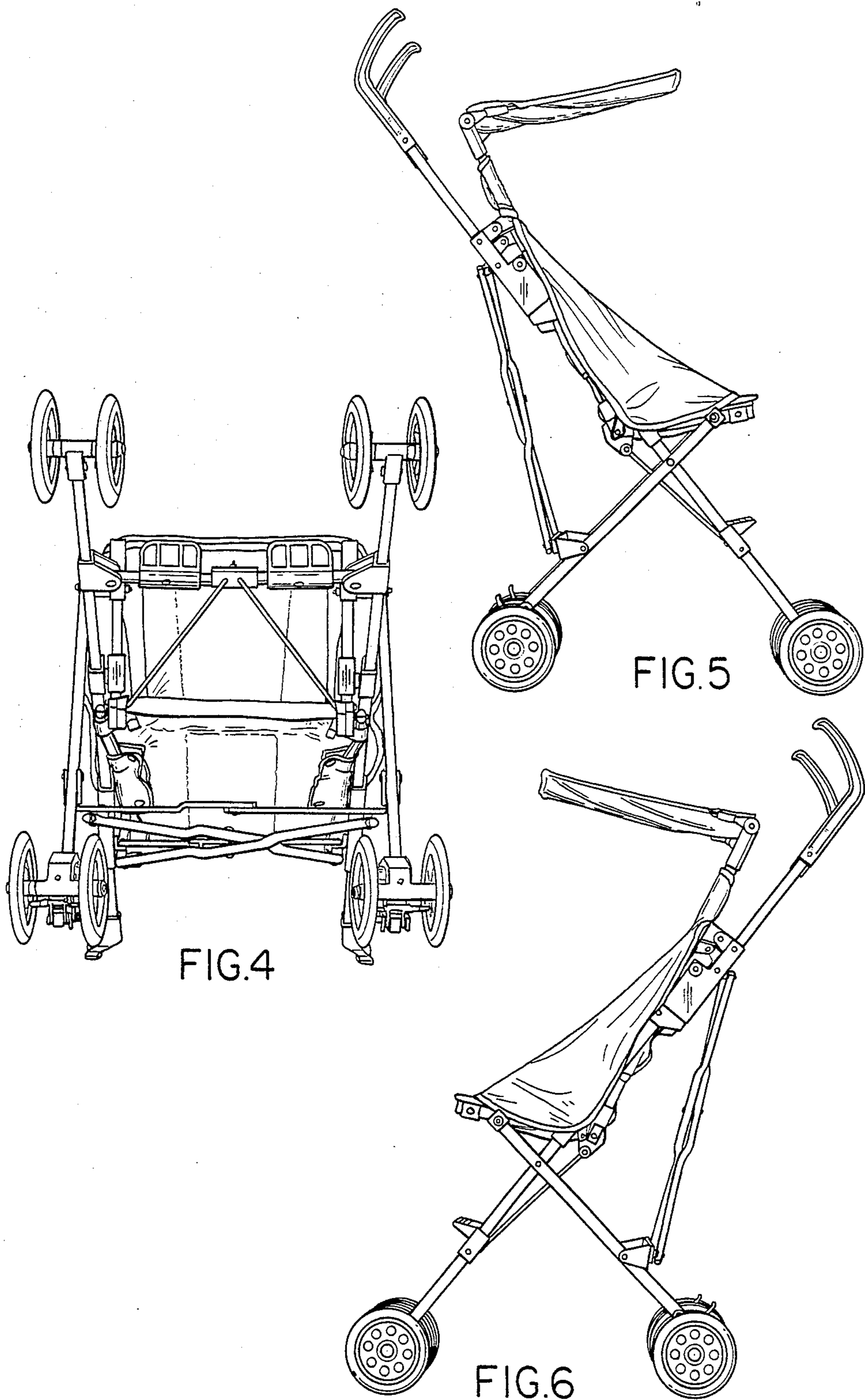


FIG.3





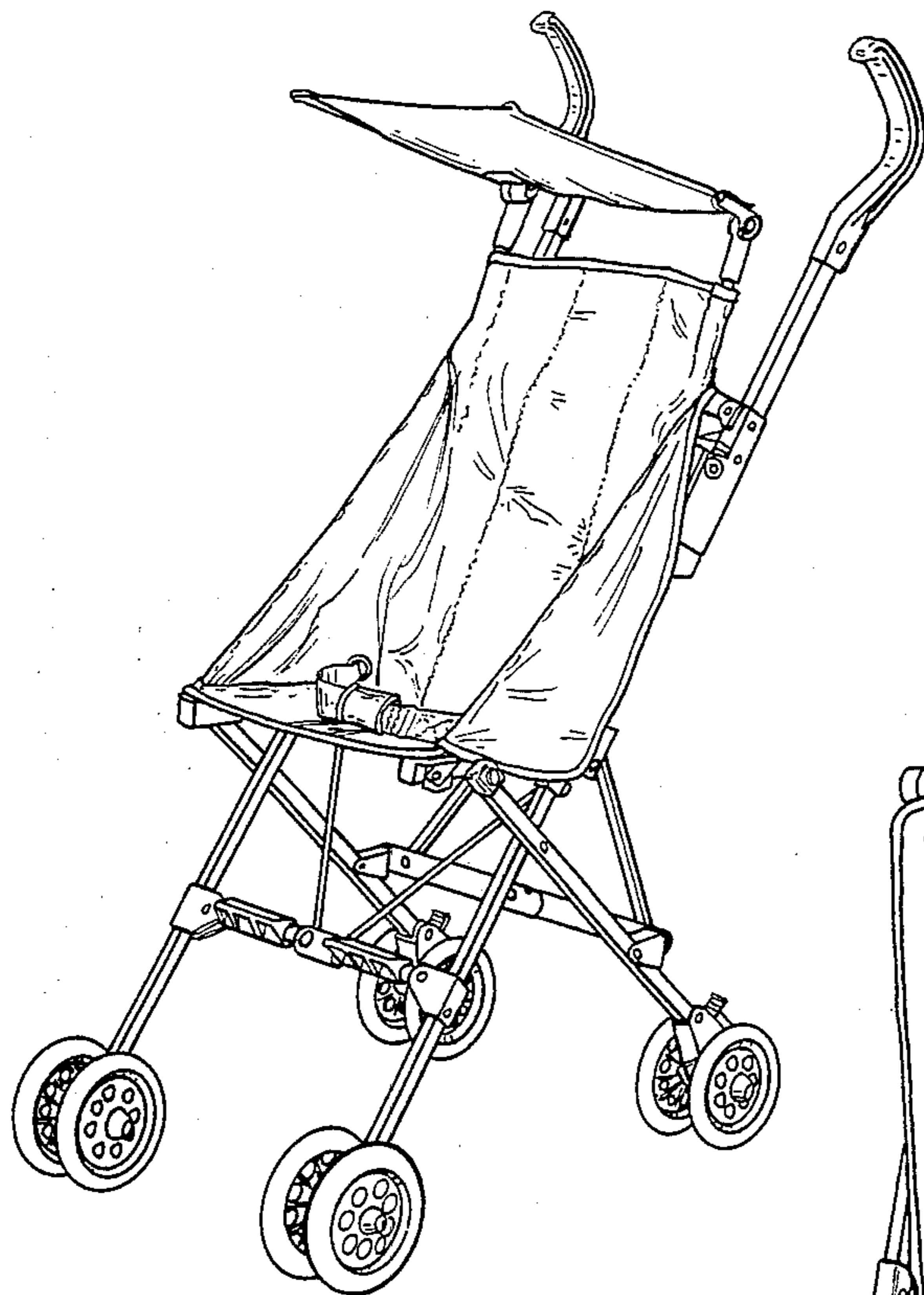


FIG. 7

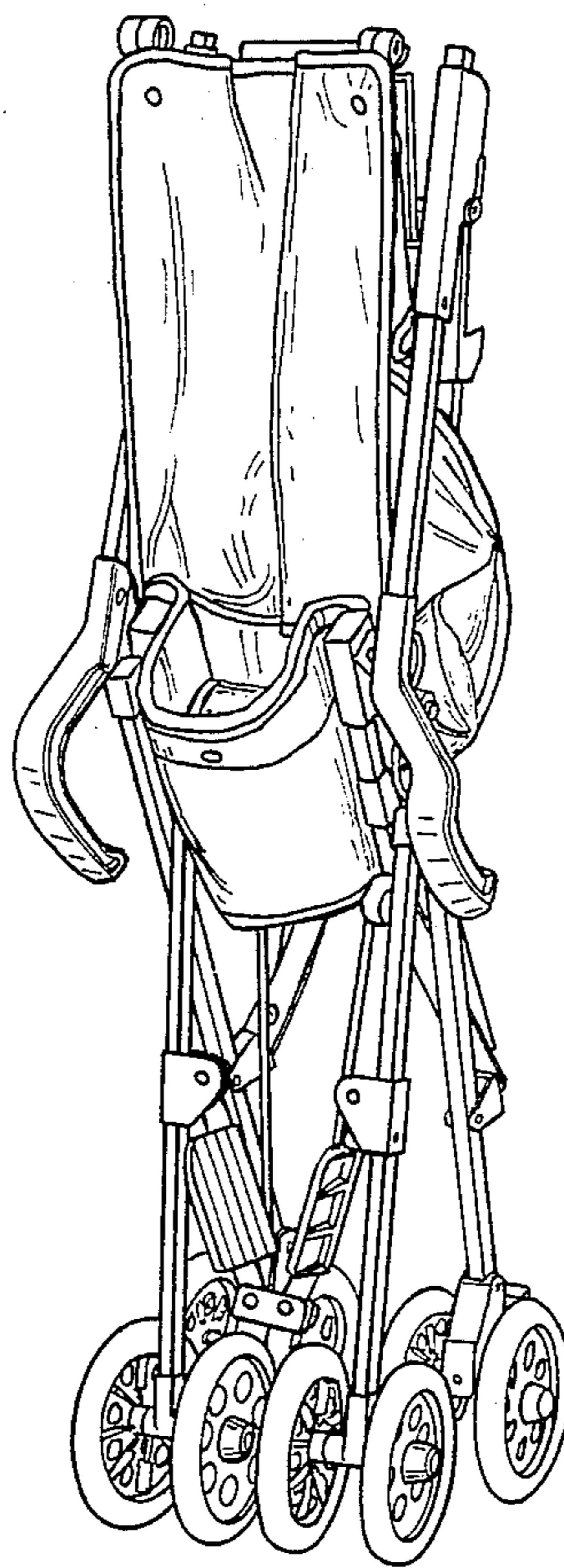


FIG. 8