

[54] **STEM FOR BICYCLE HANDLEBARS**

[75] **Inventor: Lucio Borromeo, Torino, Italy**

[73] **Assignee: 3 T. S.p.A., Torino, Italy**

[\*\*] **Term: 14 Years**

[21] **Appl. No.: 911,286**

[22] **Filed: Sep. 24, 1986**

[30] **Foreign Application Priority Data**

Mar. 24, 1986 [IT] Italy ..... 53179/86[U]

[52] **U.S. Cl. .... D12/118**

[58] **Field of Search ..... D12/118; 280/279, 280; 403/373, 374, 370, 104; 74/551.1**

[56] **References Cited**

**FOREIGN PATENT DOCUMENTS**

2513960 4/1983 France ..... 280/279

**OTHER PUBLICATIONS**

American Bicyclist & Motorcyclist, 11/84, p. 23, Pian-tone Mod. 300 handle bar stem, center of page.

American Bicyclist & Motorcyclist, 4/85, p. 48, Atax Handlebar Stem No. 3, center right side of page.

American Bicyclist & Motorcyclist, 4/85, p. 49, BPP Model 84 Handlebar Stem in Silver, center of page.

*Primary Examiner*—James M. Gandy  
*Attorney, Agent, or Firm*—Sughrue, Mion, Zinn, Macpeak & Seas

[57] **CLAIM**

The ornamental design for a stem for bicycle handlebars, as shown.

**DESCRIPTION**

FIG. 1 is a side elevational view of a stem for bicycle handlebars showing my new design; FIG. 2 is a front elevational view thereof; FIG. 3 is a rear elevational view thereof; FIG. 4 is a top plan view thereof; FIG. 5 is a bottom plan view thereof; and FIG. 6 is a perspective view thereof.

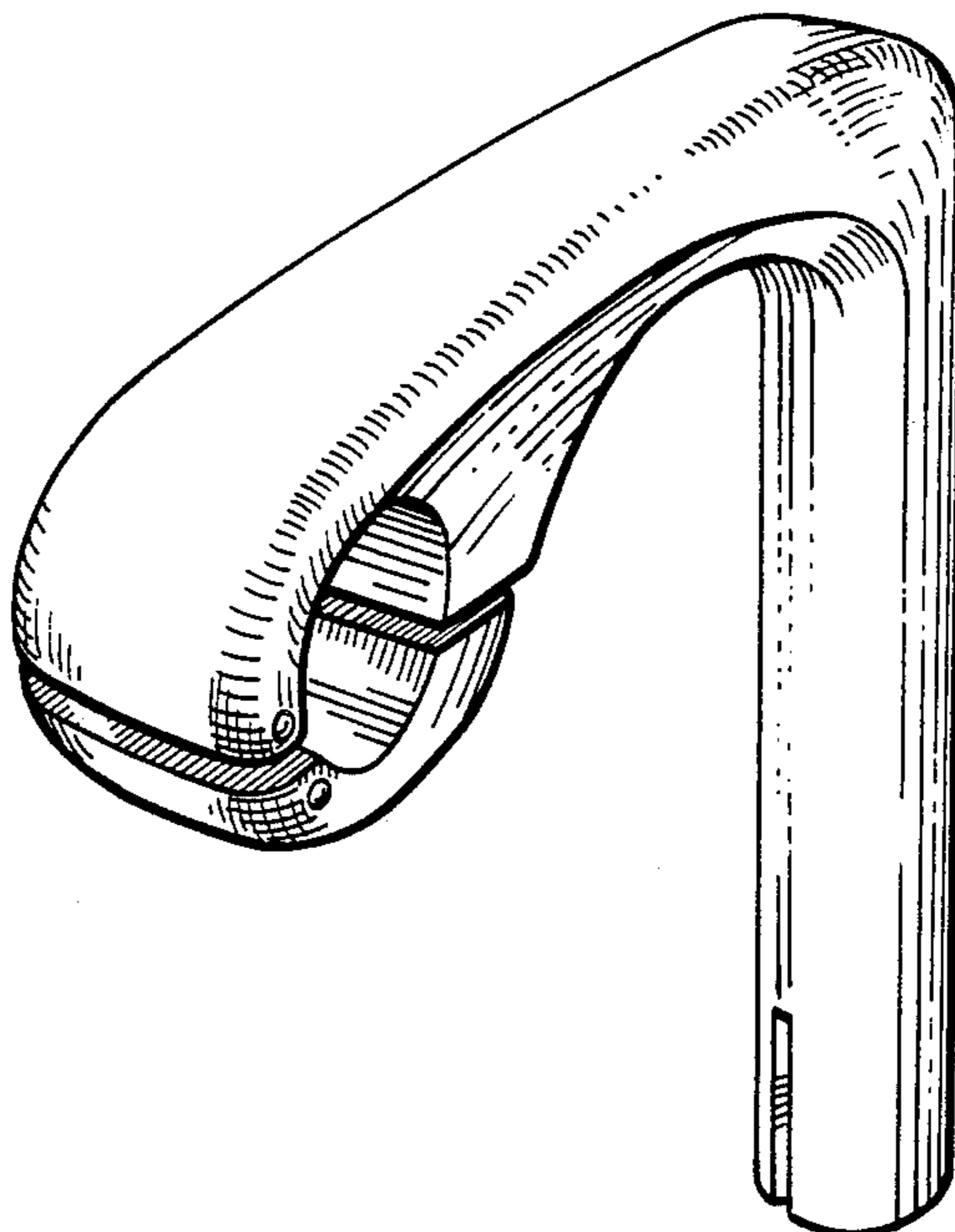


FIG. 1

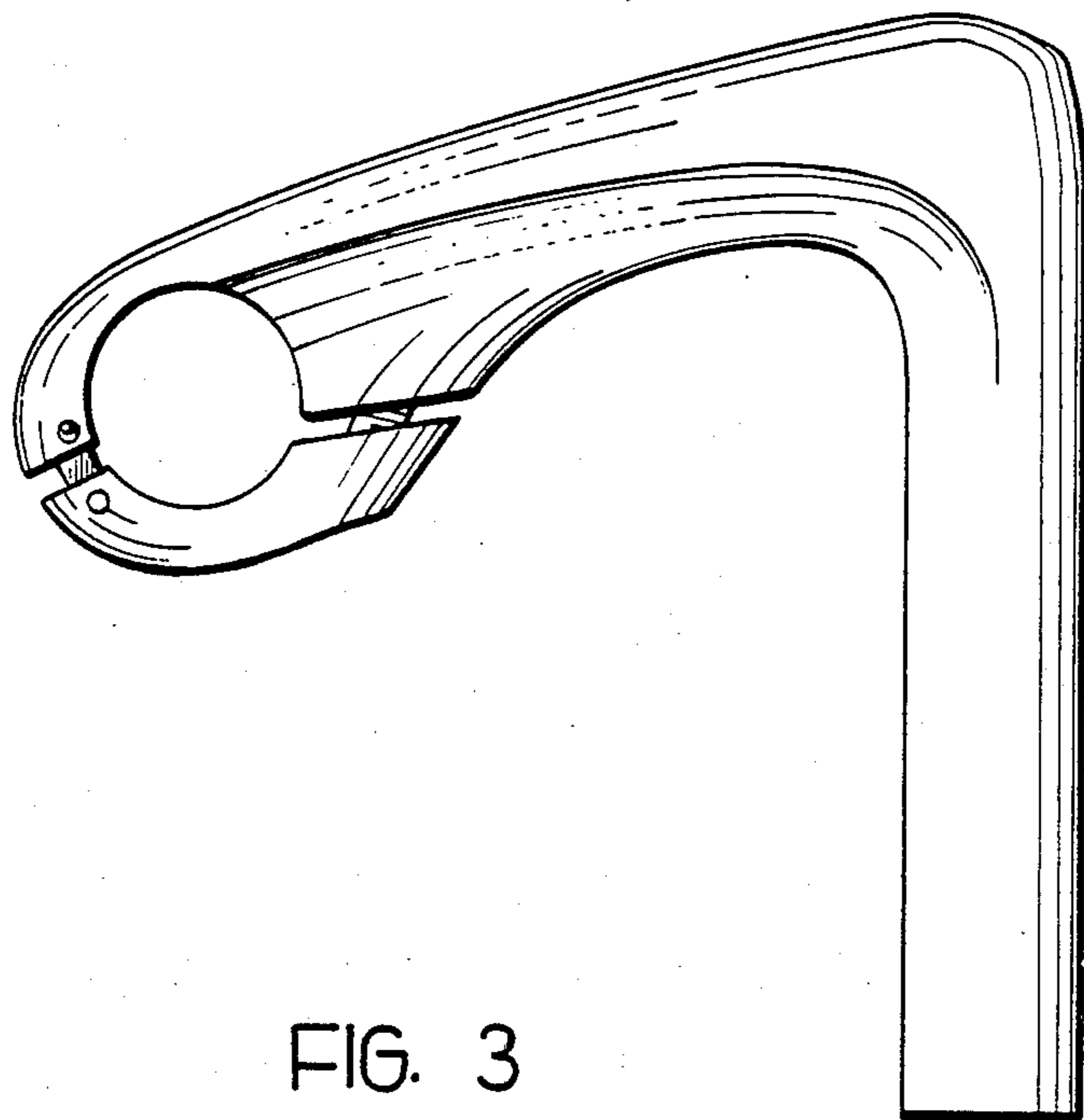


FIG. 2

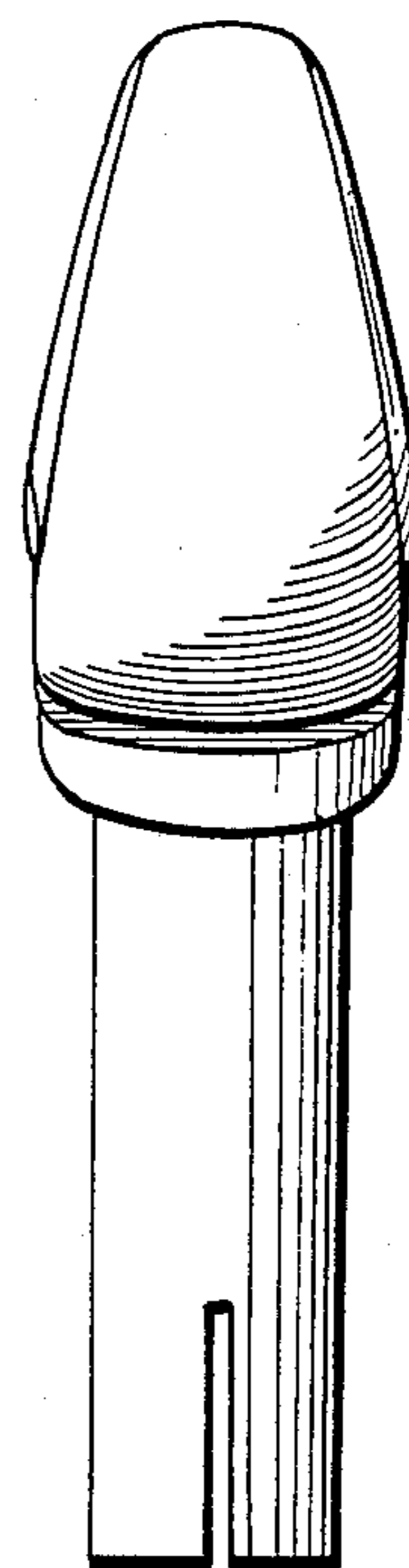


FIG. 3

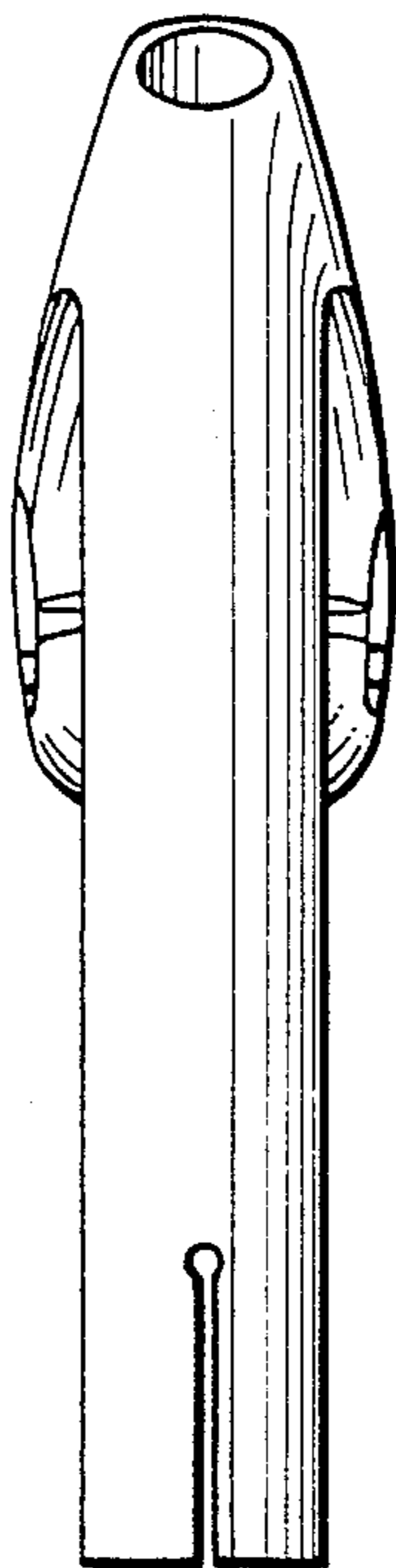


FIG. 4

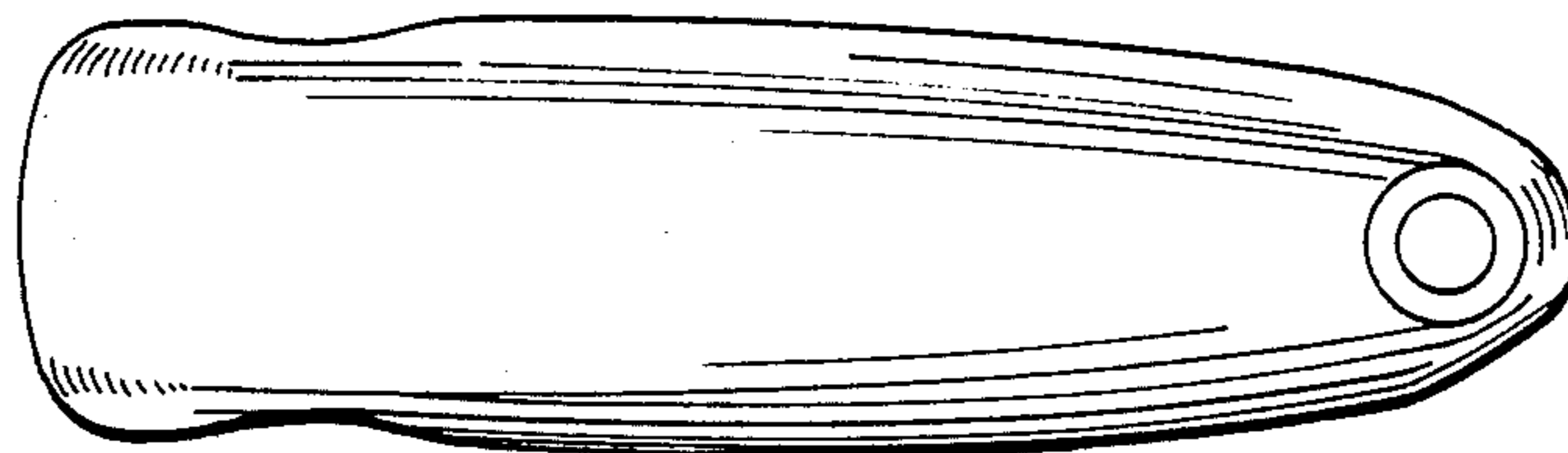


FIG. 5

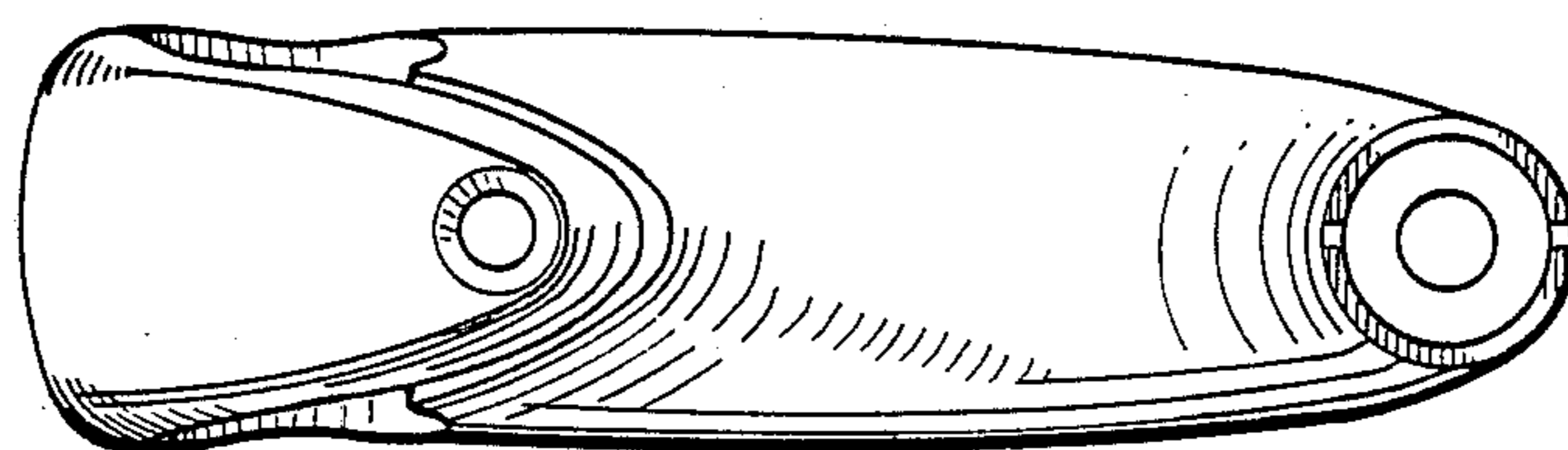


FIG. 6

