

# United States Patent [19]

Miyata

[11] Patent Number: **Des. 298,812**

[45] Date of Patent: **\*\* Dec. 6, 1988**

[54] **FOUR WHEELED MOTORCYCLE**

[75] Inventor: **Ichiro Miyata, Hamamatsu, Japan**

[73] Assignee: **Suzuki Jidosha Kogyo Kabushiki Kaisha, Shizuoka, Japan**

[\*\*] Term: **14 Years**

[21] Appl. No.: **864,122**

[22] Filed: **May 16, 1986**

[30] **Foreign Application Priority Data**

Jan. 21, 1986 [JP] Japan ..... 61-1784

[52] U.S. Cl. .... **D12/107**

[58] Field of Search ..... **D12/107, 110, 3; 180/219, 225, 229, 233, 311, 312**

[56] **References Cited**

### U.S. PATENT DOCUMENTS

D. 285,058 8/1986 Takagaki ..... D12/107  
D. 285,424 9/1986 Hishinuma ..... D12/107

*Primary Examiner*—James M. Gandy

[57] **CLAIM**

The ornamental design for a four wheeled motorcycle, as shown.

### DESCRIPTION

FIG. 1 is a front perspective view of a four wheeled motorcycle showing my new design;  
FIG. 2 is a rear perspective view thereof;  
FIG. 3 is a right side perspective view thereof;  
FIG. 4 is a left side perspective view thereof;  
FIG. 5 is a top perspective view thereof;  
FIG. 6 is a bottom perspective view thereof;  
FIG. 7 is a front, top and right side perspective view thereof.

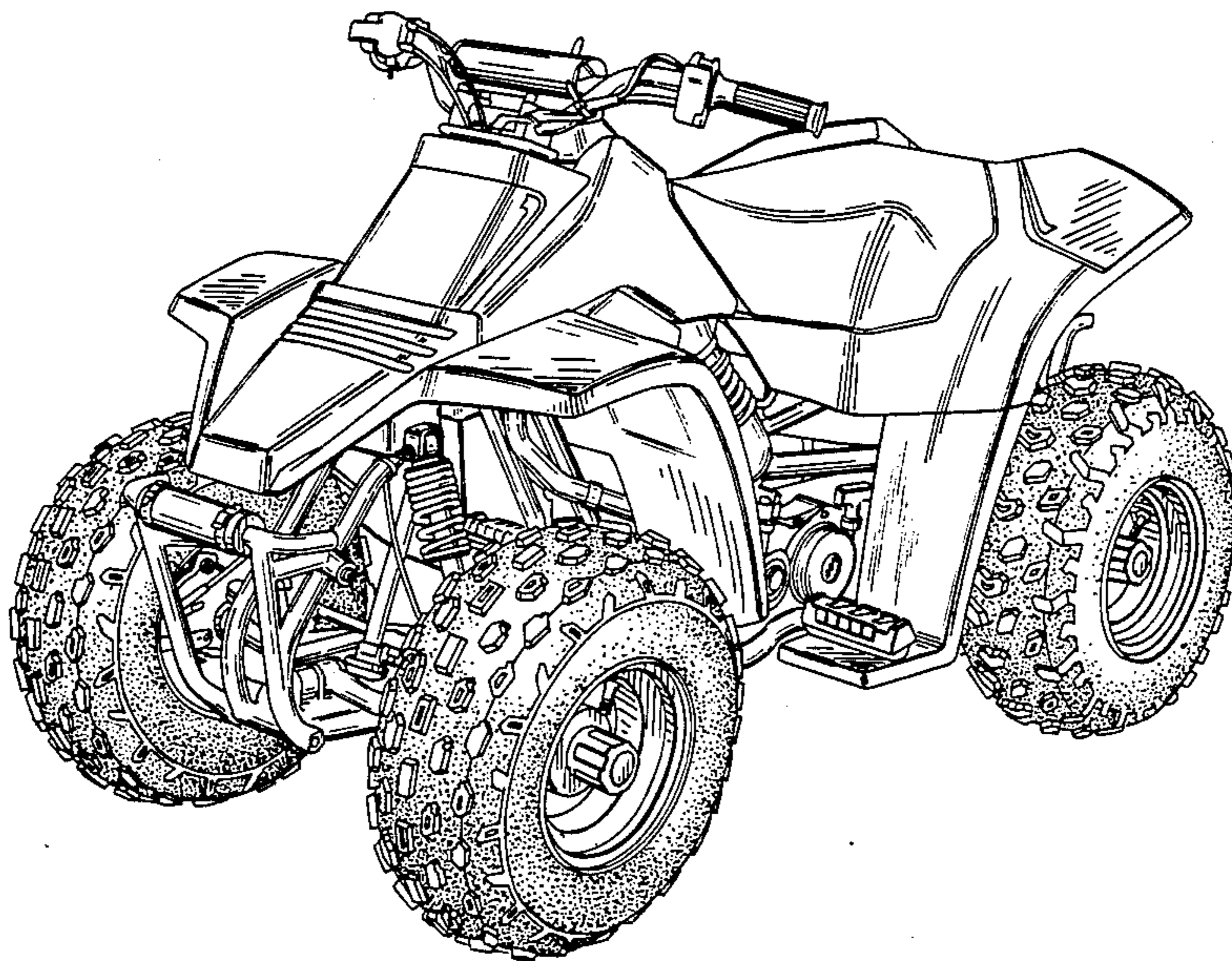


FIG. 1

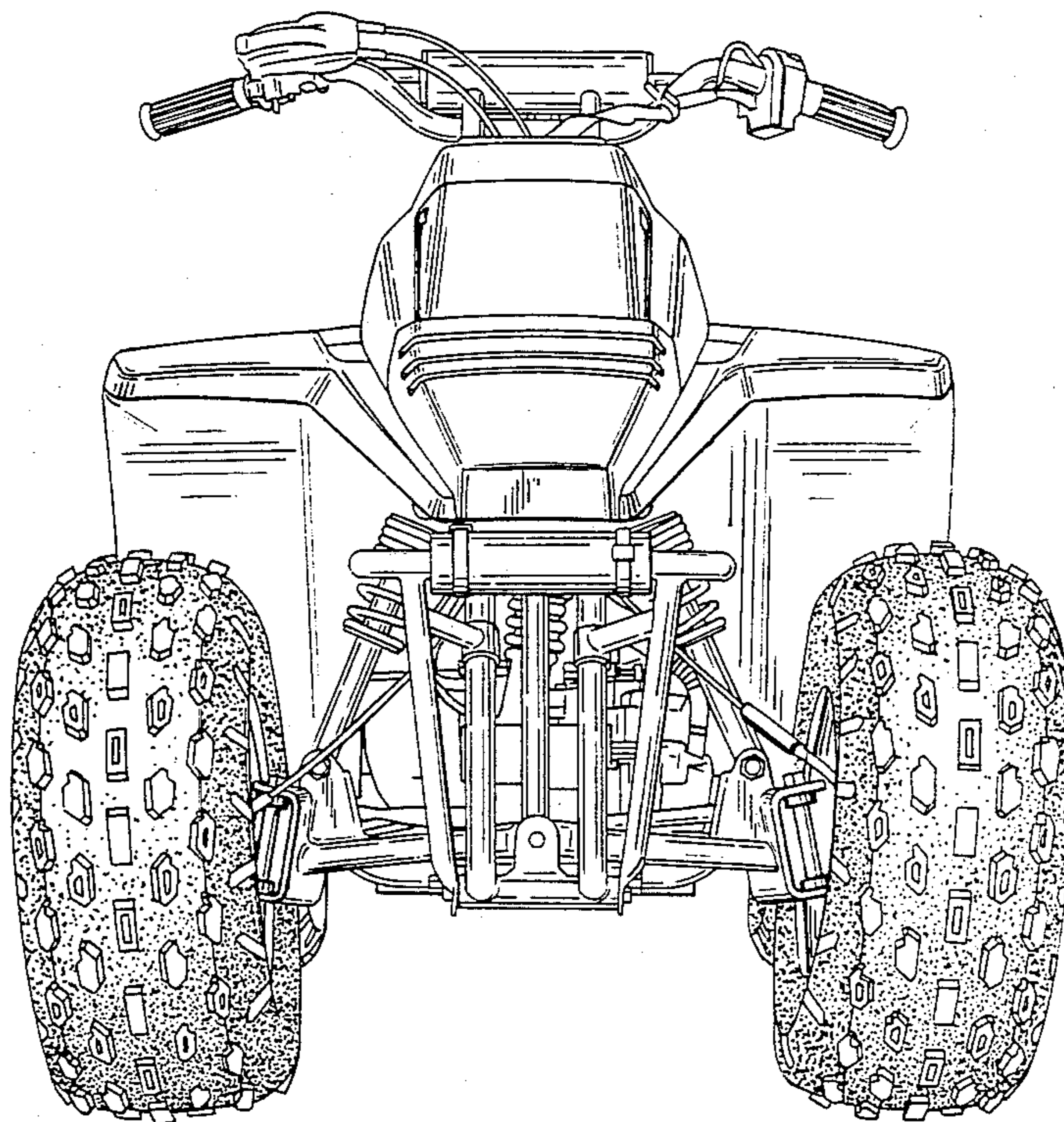


FIG. 2

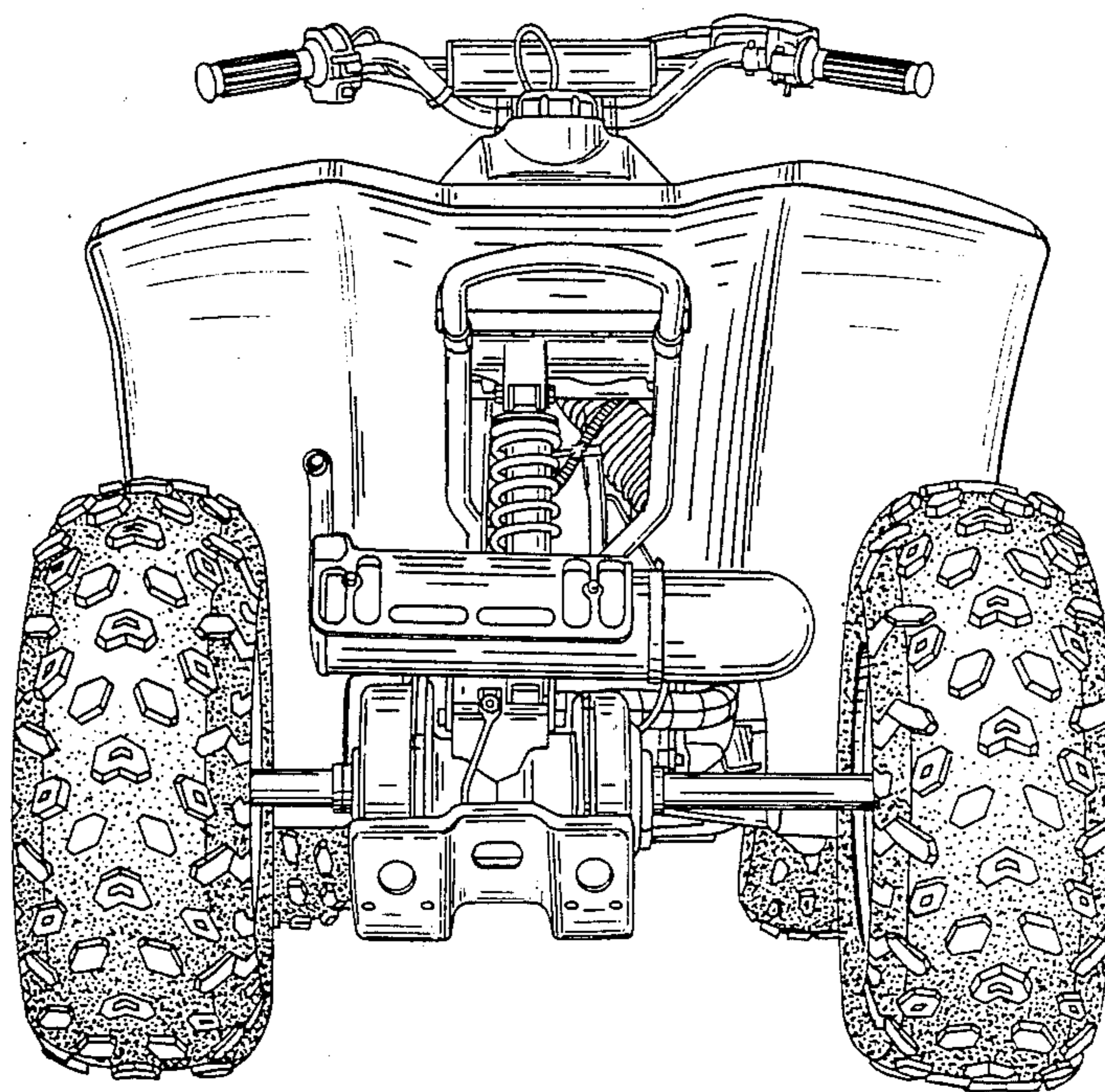


FIG. 3

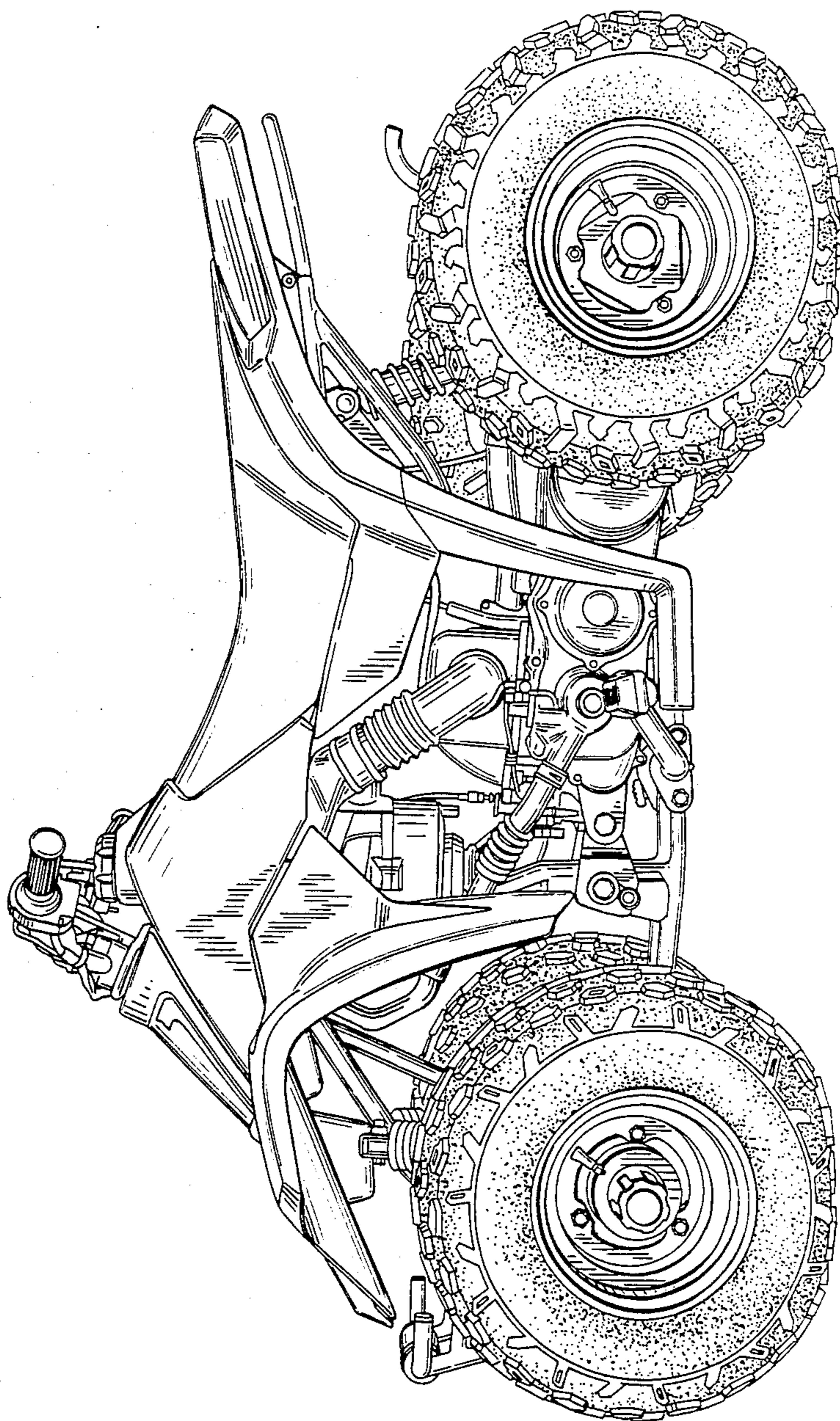


FIG. 4

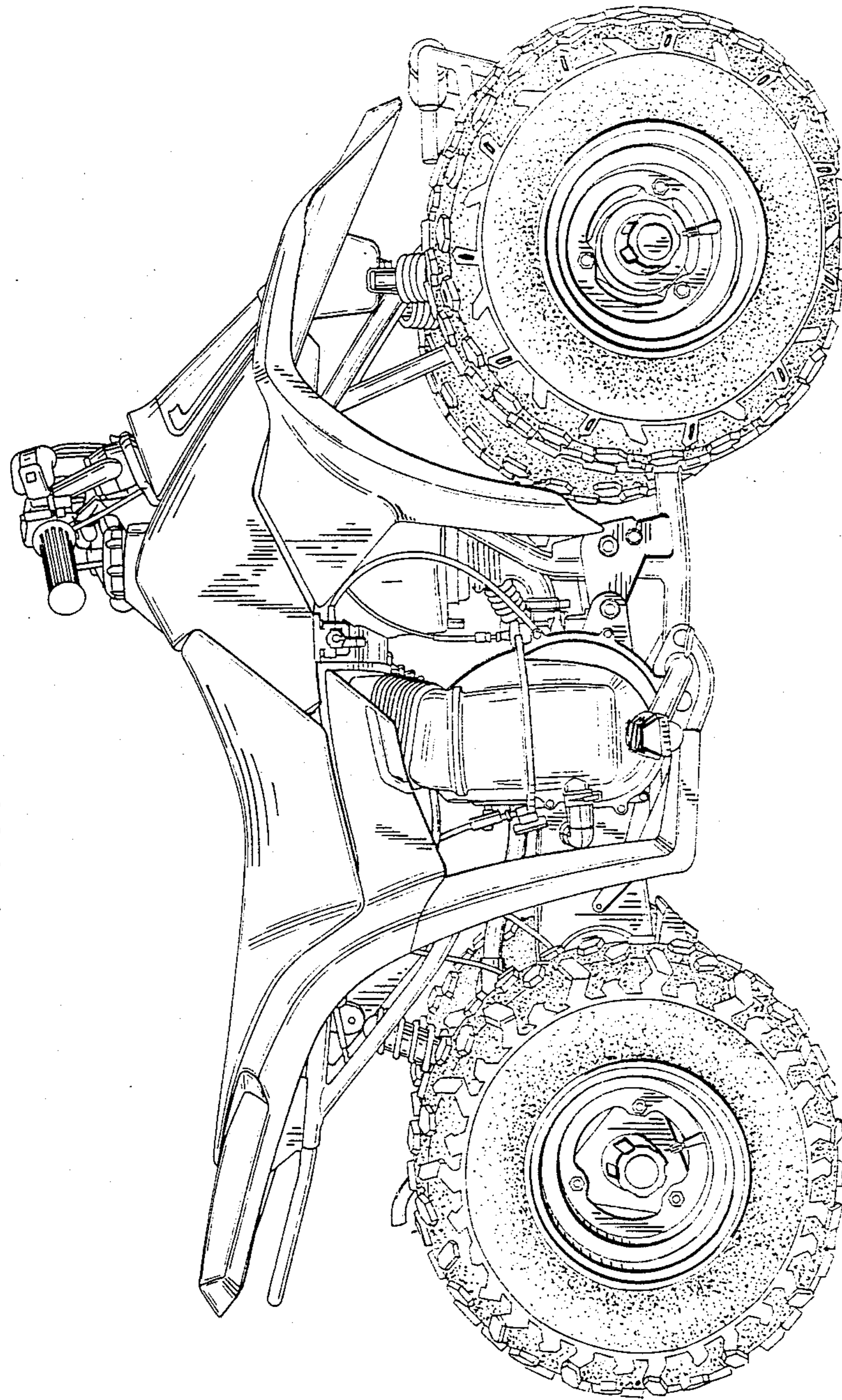


FIG. 5

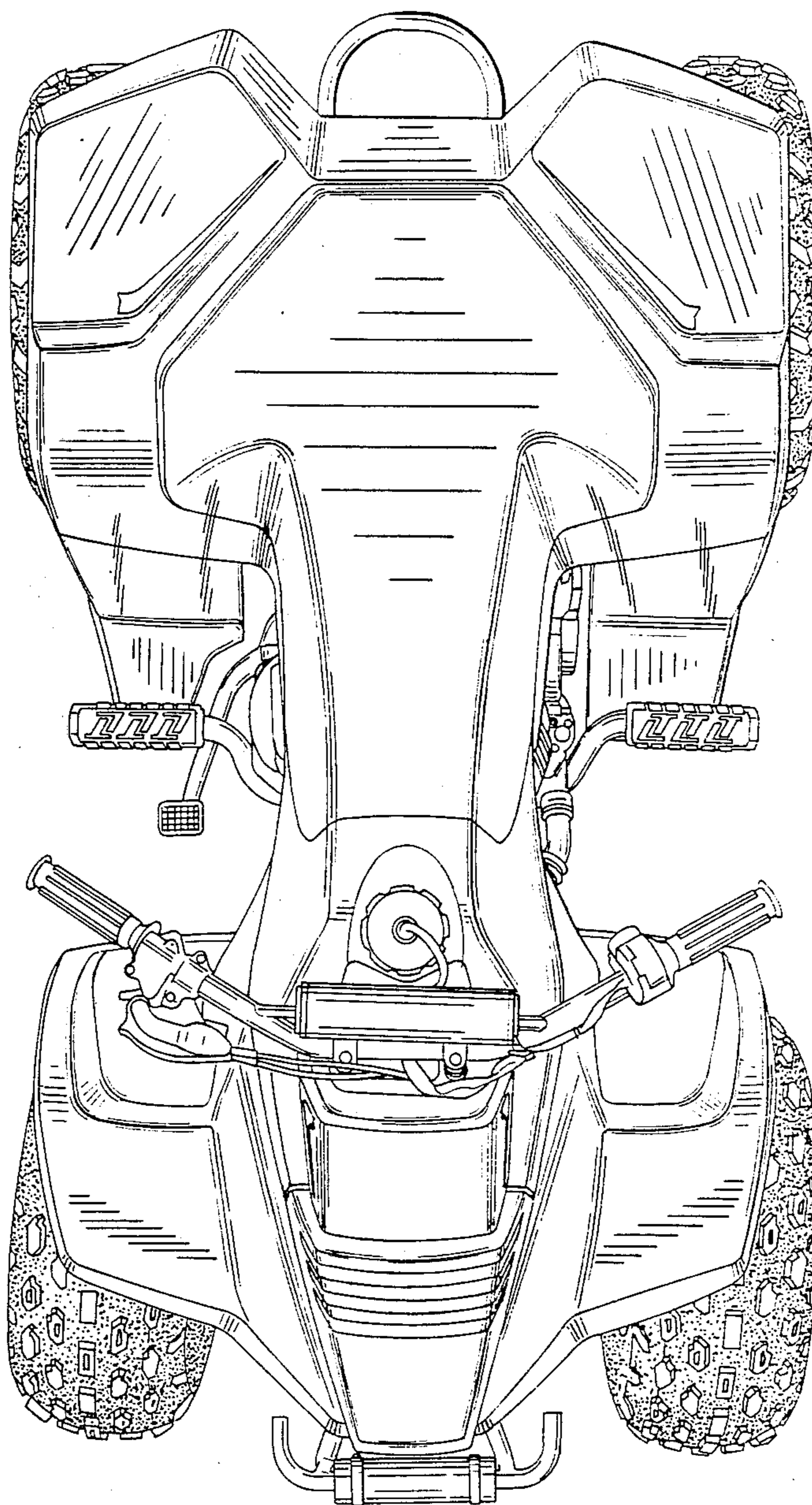


FIG. 6

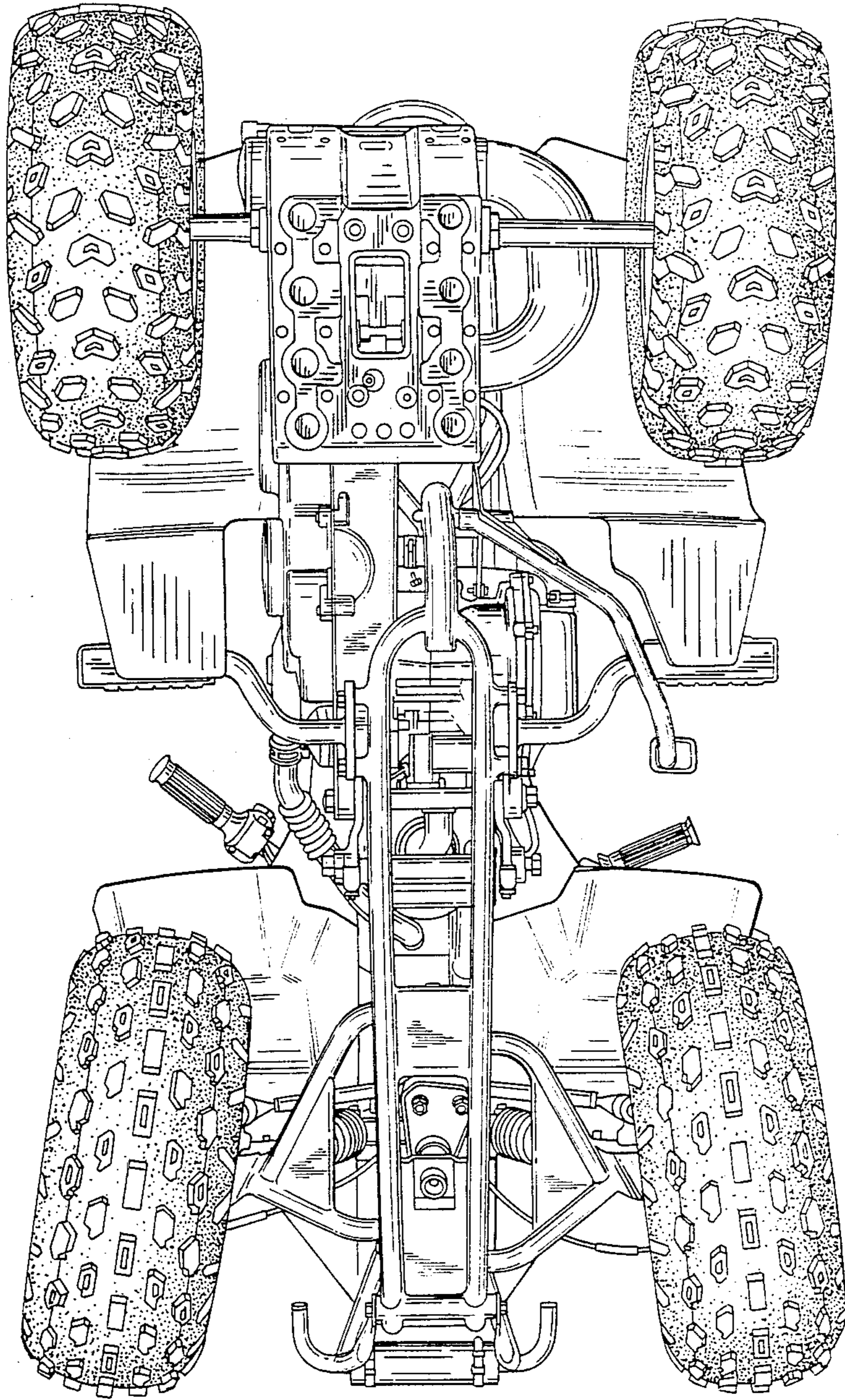


FIG. 7

