

[54] **FOUR WHEELED MOTORCYCLE**

[75] **Inventor: Kazuo Morita, Kosai, Japan**

[73] **Assignee: Suzuki Jidosha Kogyo Kabushiki
Kaisha, Shizuoka, Japan**

[**] **Term: 14 Years**

[21] **Appl. No.: 864,121**

[22] **Filed: May 16, 1986**

[30] **Foreign Application Priority Data**

Jan. 10, 1986 [JP] Japan 61-653
[52] **U.S. Cl. D12/107**
[58] **Field of Search D12/107, 110, 3;
180/219, 225, 229, 233, 311, 312**

[56] **References Cited**

U.S. PATENT DOCUMENTS

D. 289,986 5/1987 Ooba et al. D12/107
D. 293,900 1/1988 Murakami D12/107

Primary Examiner—James M. Gandy

[57] **CLAIM**

The ornamental design for a four wheeled motorcycle,
as shown.

DESCRIPTION

FIG. 1 is a front perspective view of a four wheeled
motorcycle showing my new design;
FIG. 2 is a rear perspective view thereof;
FIG. 3 is a right side perspective view thereof;
FIG. 4 is a left side perspective view thereof;
FIG. 5 is a top perspective view thereof;
FIG. 6 is a bottom perspective view thereof;
FIG. 7 is a front, top and right side perspective view
thereof.

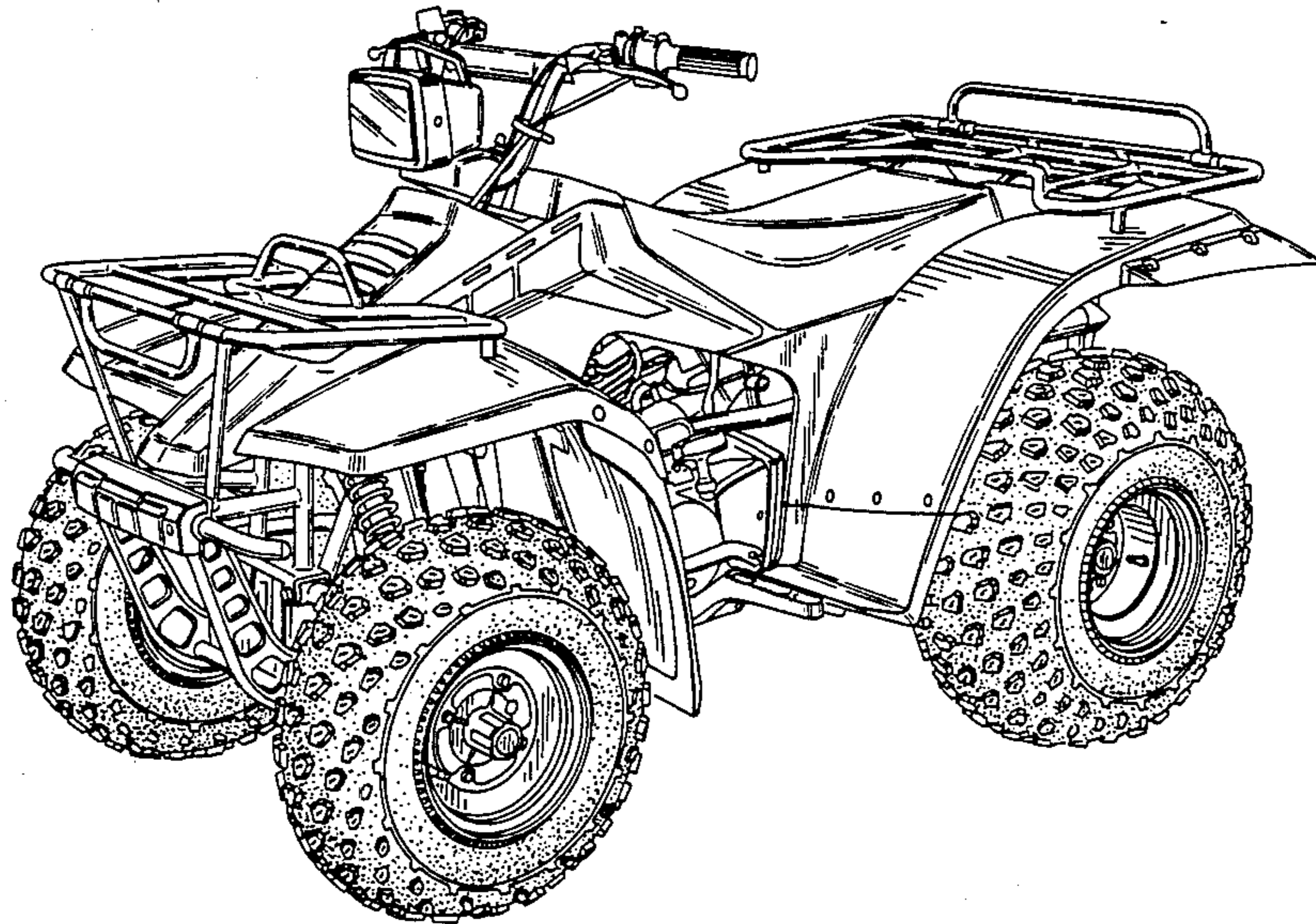


FIG. 1

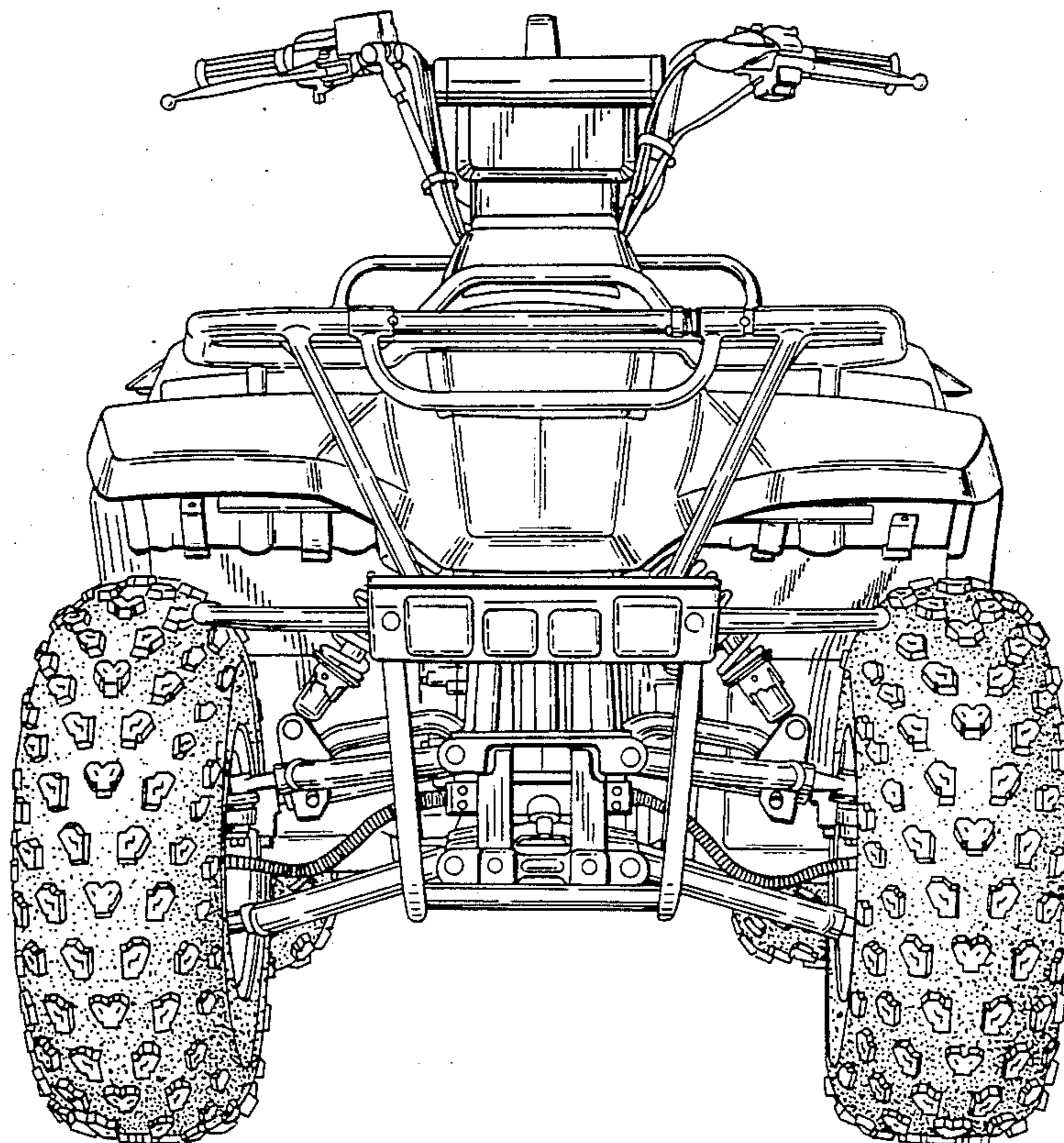


FIG. 2

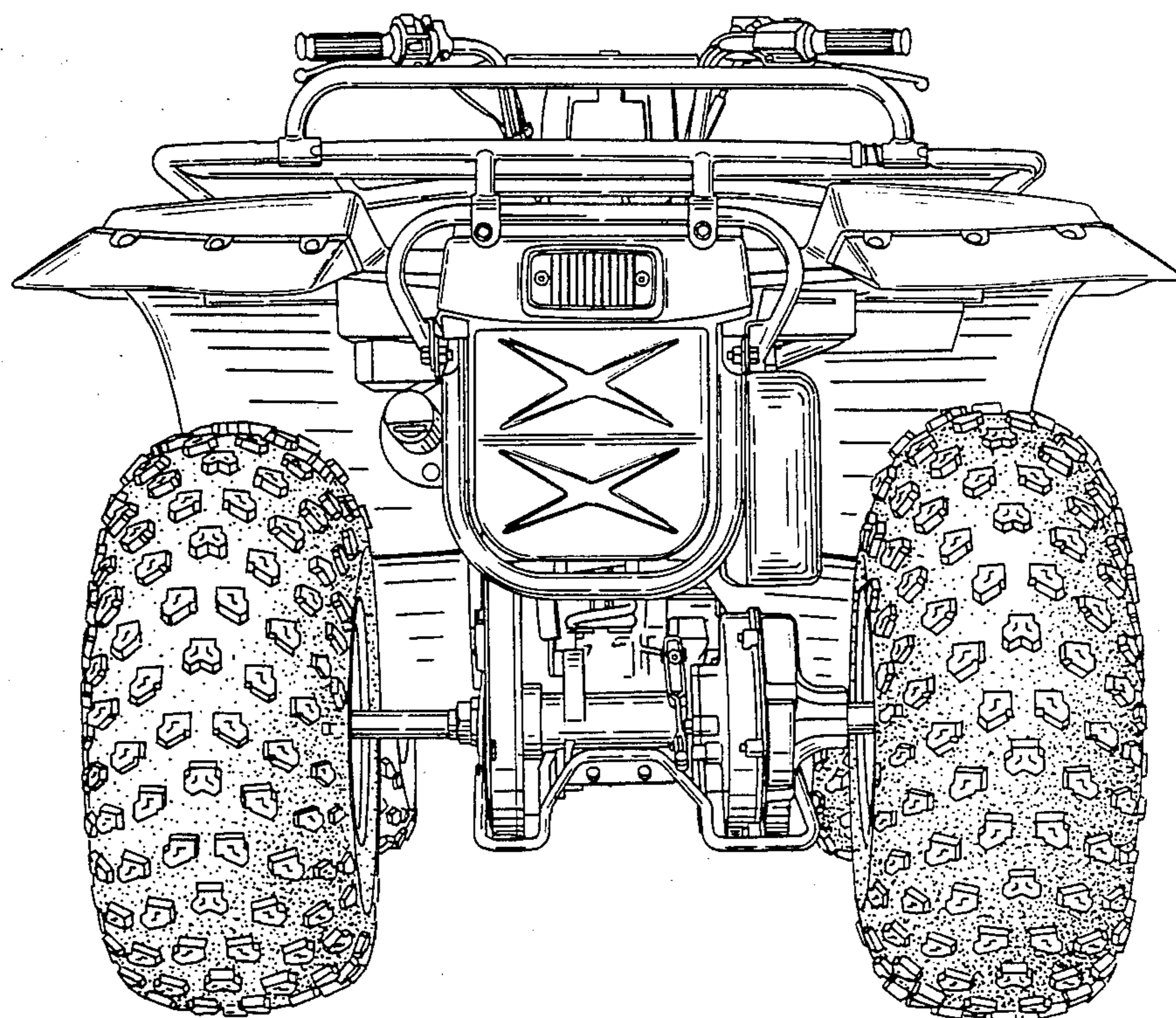


FIG. 3

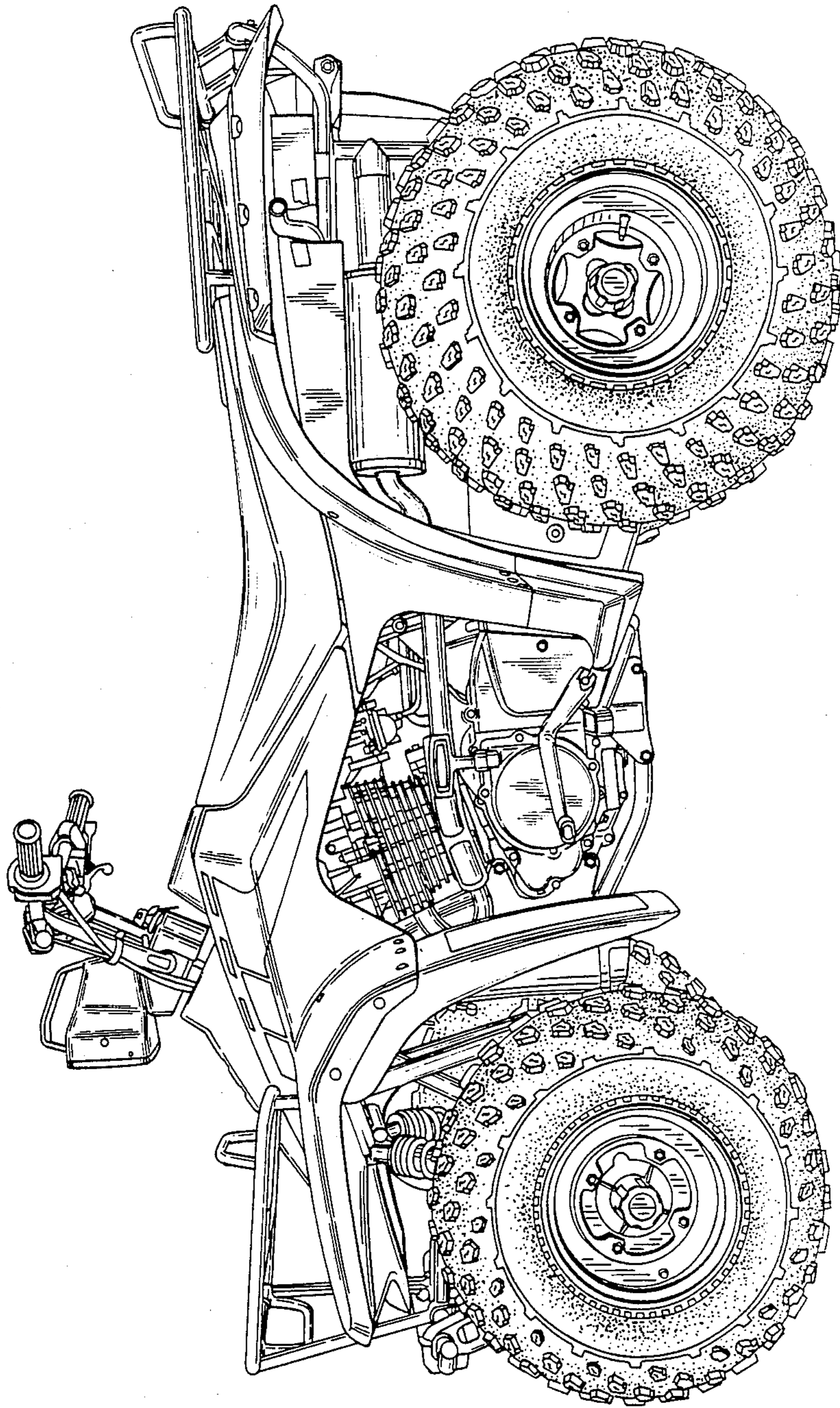


FIG. 4

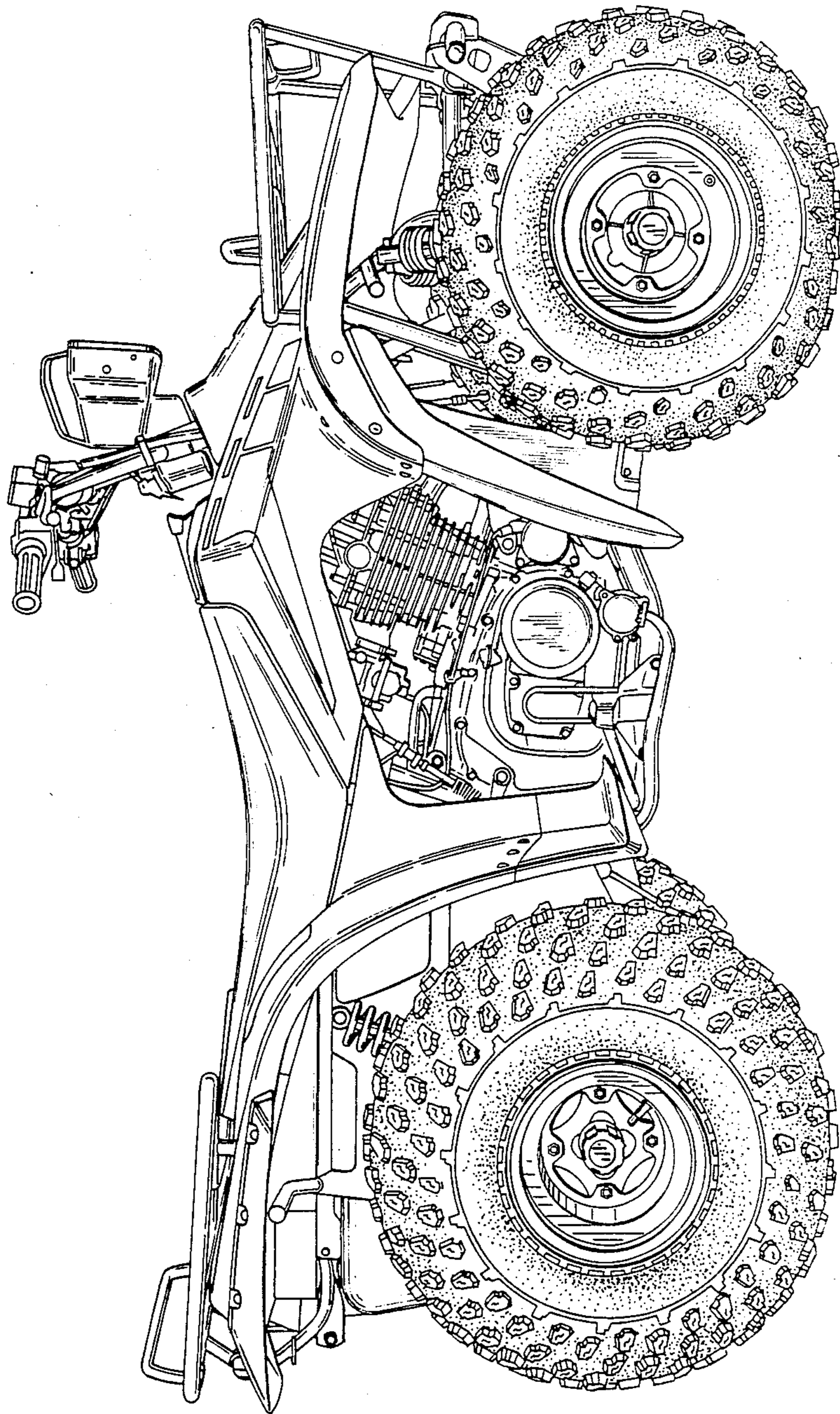
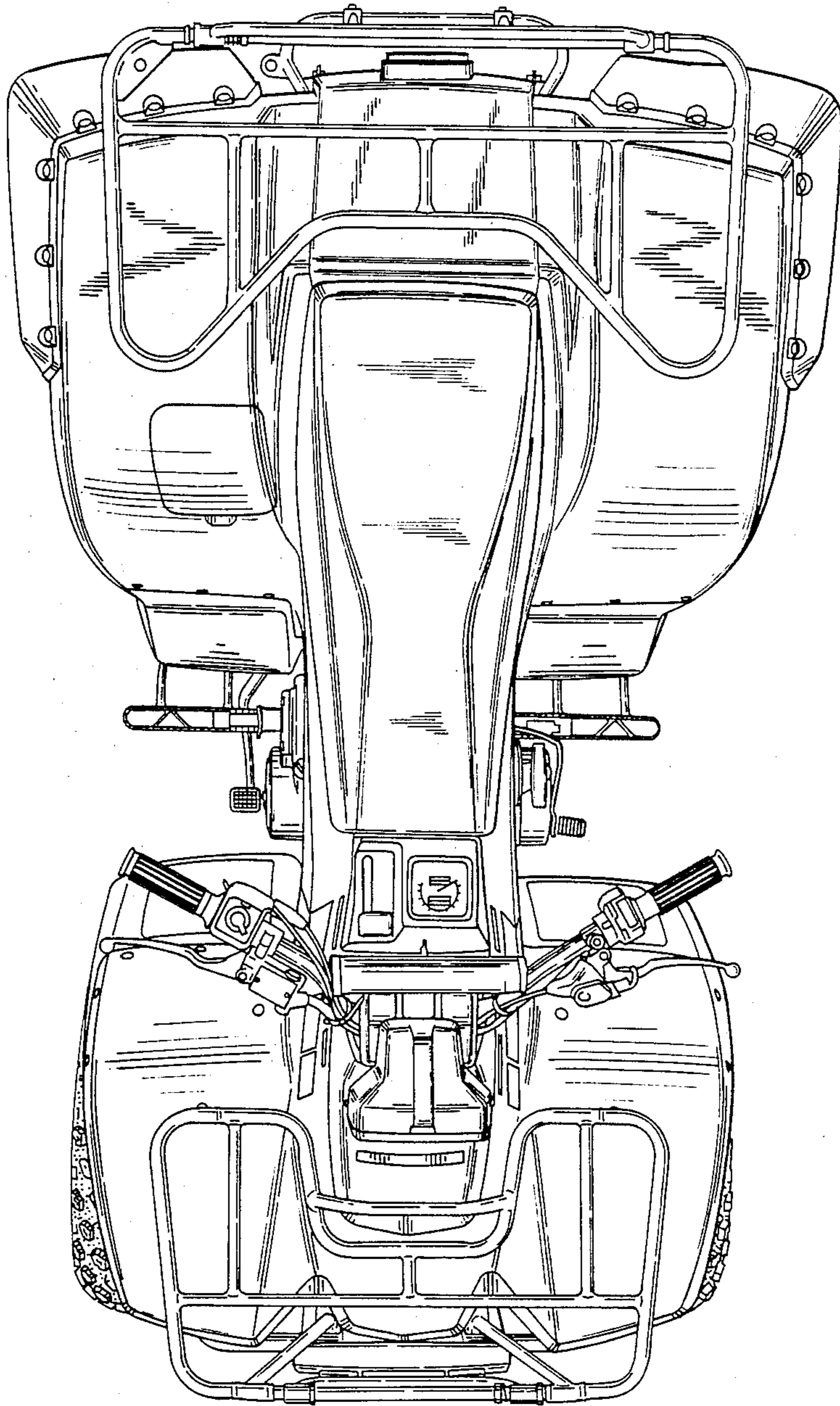


FIG. 5



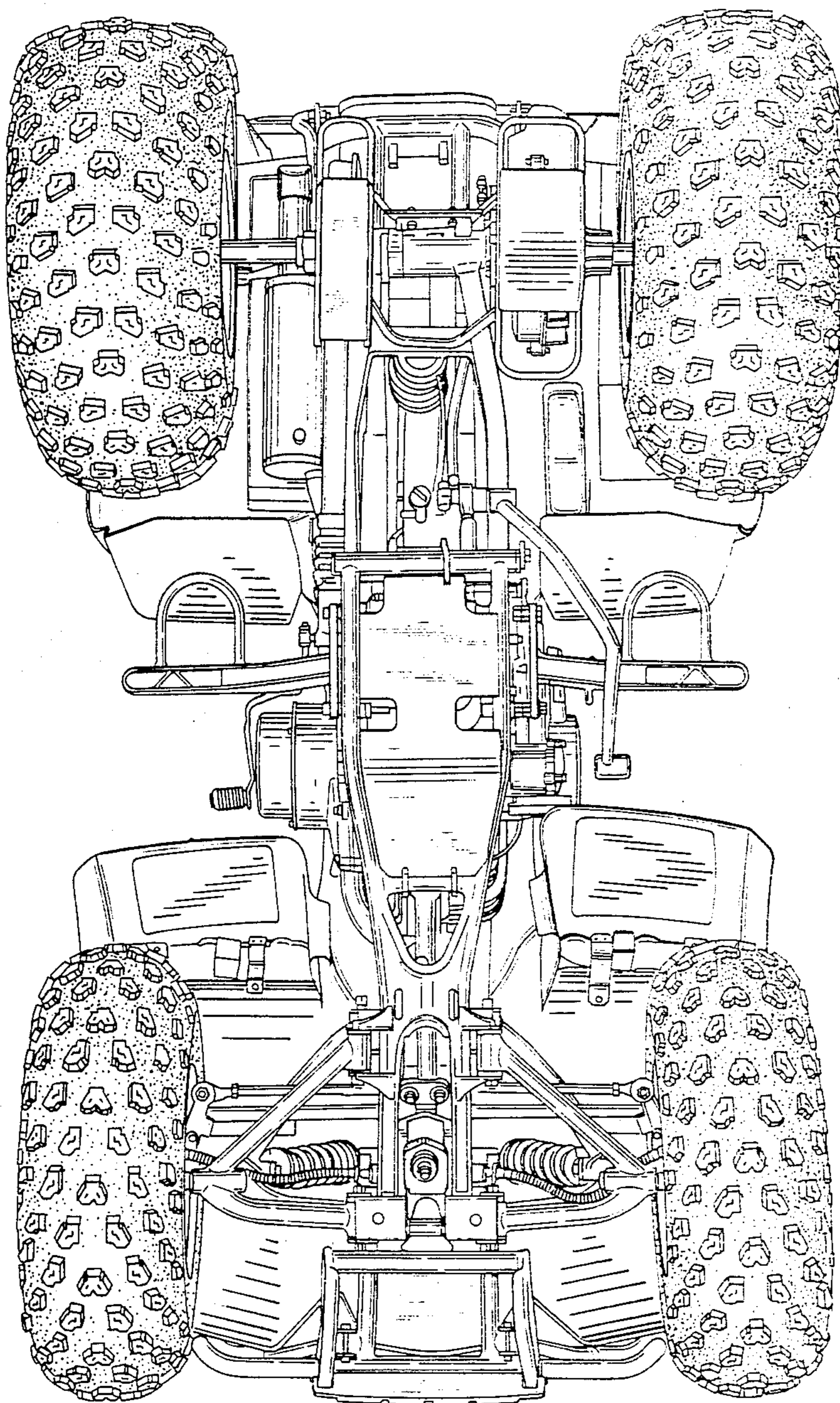


FIG. 6

FIG. 7

