

[54] COMPARTMENTED PILL CONTAINER

[76] Inventor: Wade M. Ebling, 1017 Beecher Ave., Brigham City, Utah 84302

[\*\*] Term: 14 Years

[21] Appl. No.: 791,739

[22] Filed: Oct. 28, 1985

[52] U.S. Cl. .... D9/339; D9/341 X

[58] Field of Search ..... D9/339, 341 X; 206/534, 206/538, 539

3,587,517 6/1971 Fites ..... D9/341 X  
3,638,603 2/1972 Conover ..... 206/534 X  
4,204,611 5/1980 Grave ..... 206/534 X

Primary Examiner—Nelson C. Holtje  
Attorney, Agent, or Firm—A. Ray Osburn

[57] CLAIM

The ornamental design for a compartmented pill container, as shown.

DESCRIPTION

FIG. 1 is a top and left front perspective view of a compartmented pill container showing my new design on a reduced scale with one lid shown in an open position;

FIG. 2 is a top plan view thereof;

FIG. 3 is an inverted rear elevational view of FIG. 2;

FIG. 4 is a left side elevational view of FIG. 2;

FIG. 5 is a right side elevational view of FIG. 2;

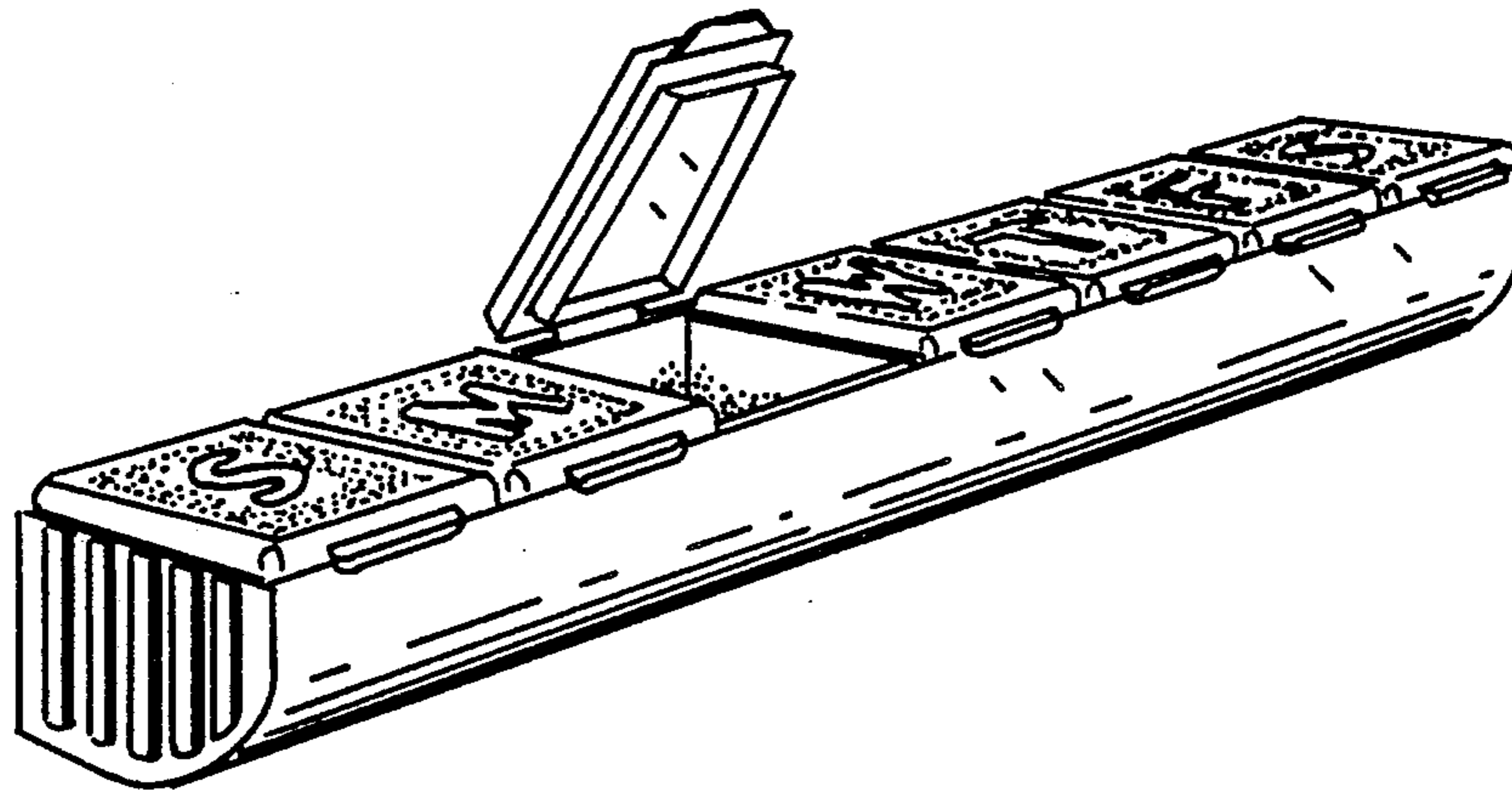
FIG. 6 is a front elevational view of FIG. 2;

FIG. 7 is a bottom plan view of FIG. 2.

[56] References Cited

U.S. PATENT DOCUMENTS

D. 227,552	7/1973	Bridges	.....	D9/339
D. 252,072	6/1979	Bridges	.....	D9/341
D. 255,775	7/1980	Clemens	.....	D9/341
D. 271,081	10/1983	Noble	.....	D9/341
D. 278,513	4/1985	Ebeling	.....	D9/339
3,432,951	3/1969	Cherrin	.....	206/534 X



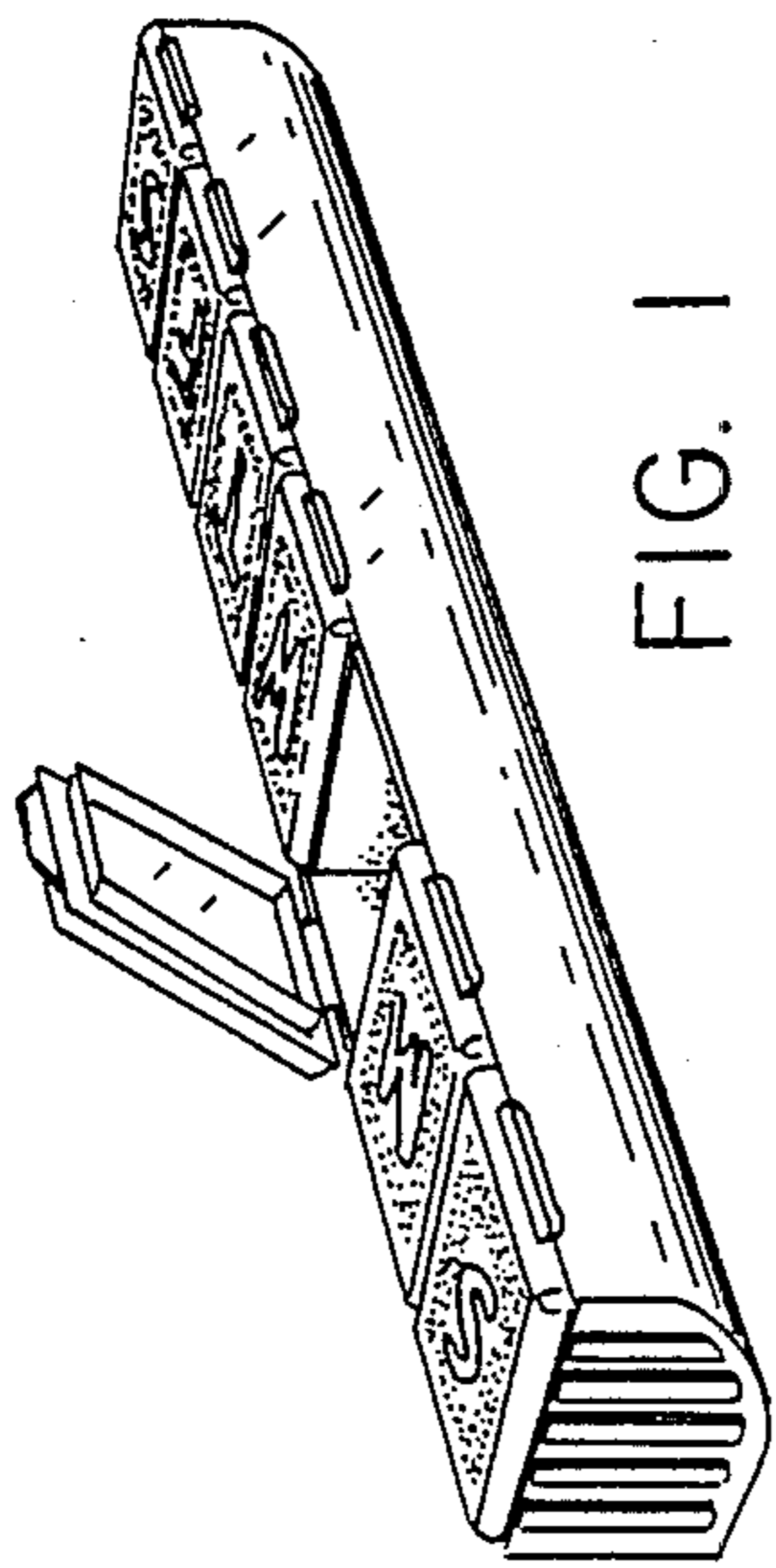


FIG. 1

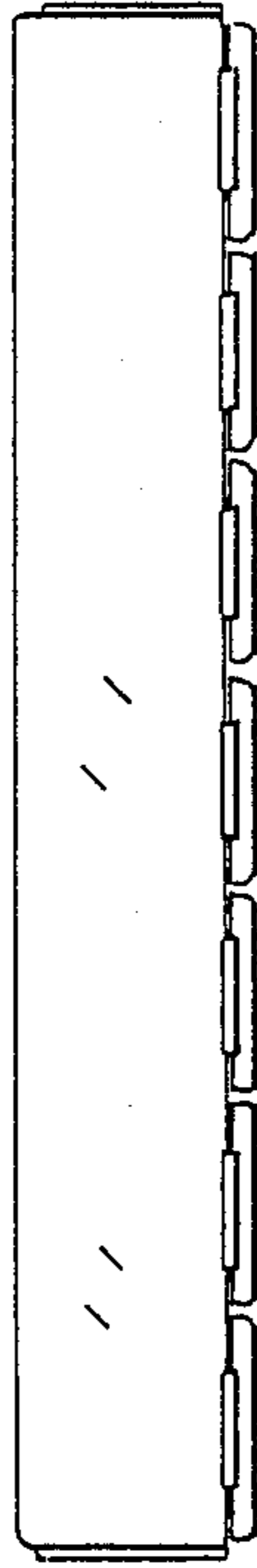


FIG. 3

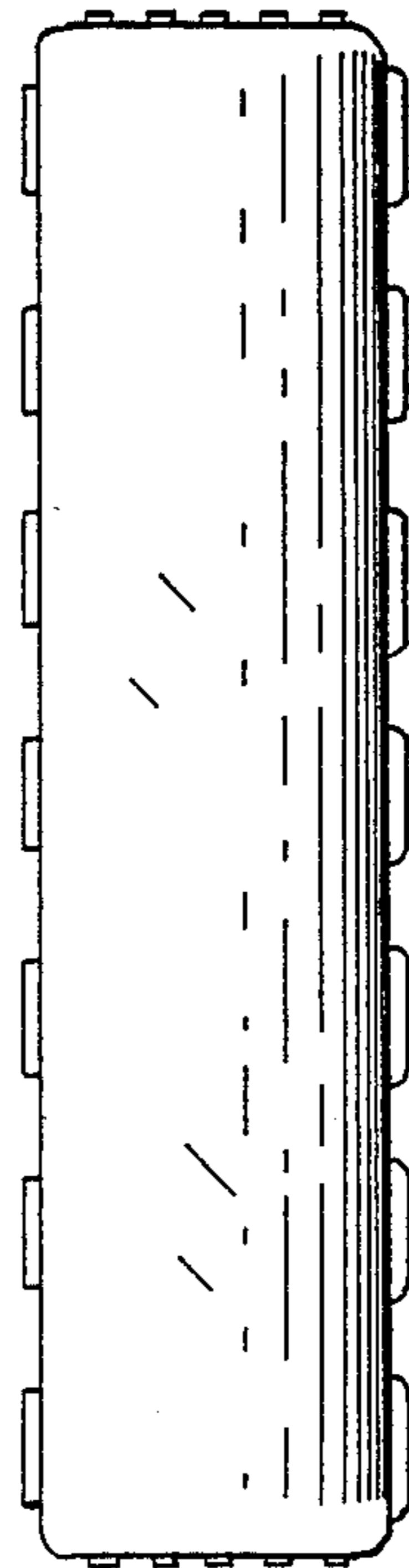


FIG. 7

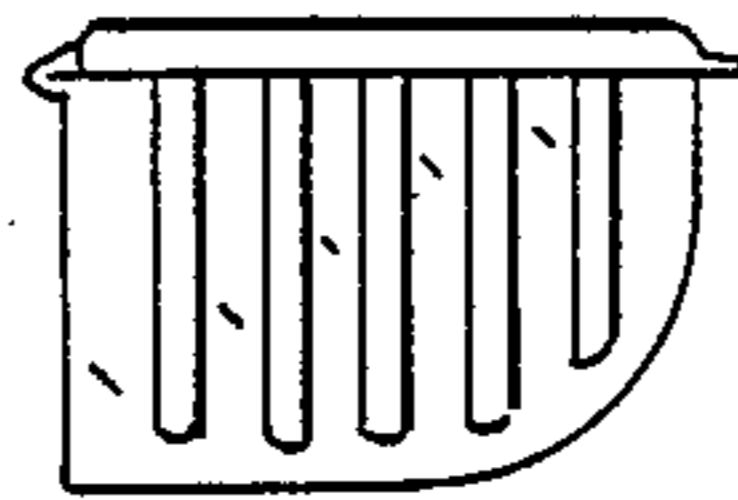


FIG. 4

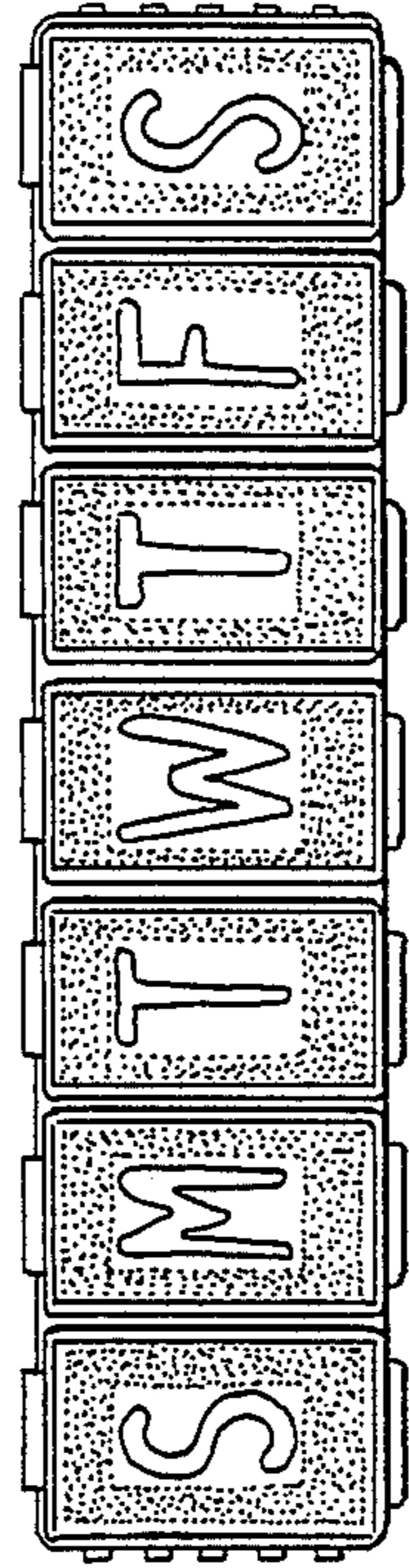


FIG. 2

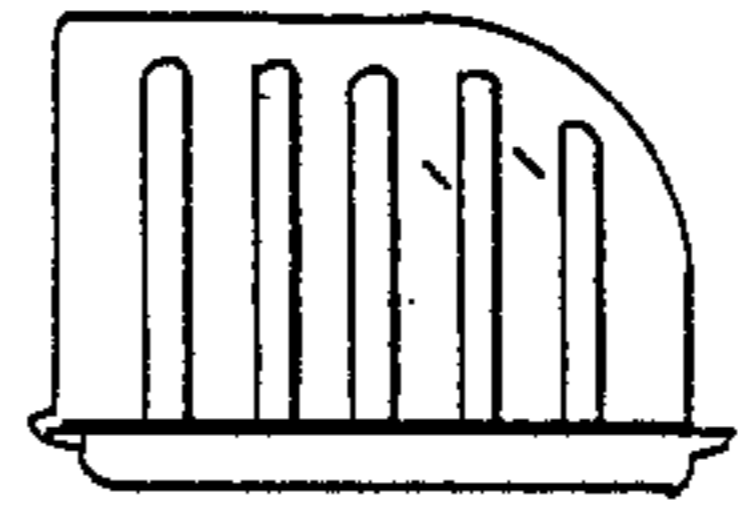


FIG. 5

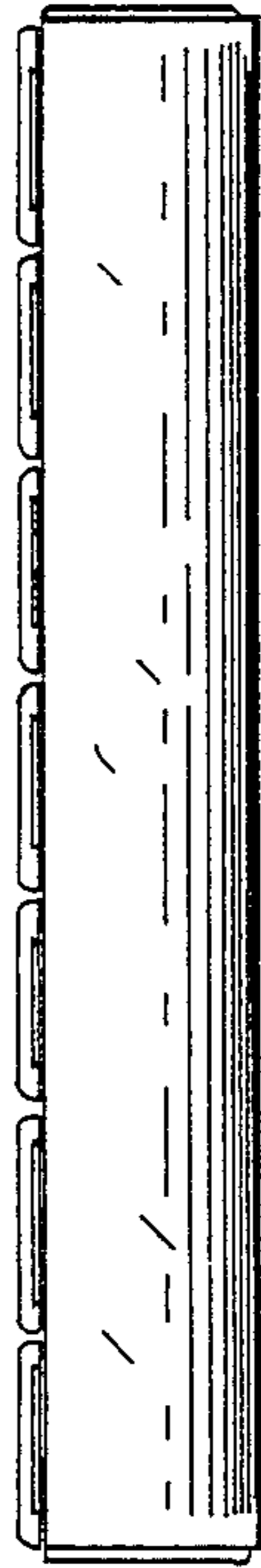


FIG. 6