

[54] **PIPE CLAMP**
 [76] **Inventor: Harry Tekirian, 4561 Curtis, Dearborn, Mich. 48126**
 [**] **Term: 14 Years**
 [21] **Appl. No.: 845,764**
 [22] **Filed: Mar. 24, 1986**
 [52] **U.S. Cl. D8/396**
 [58] **Field of Search D8/394-396; 285/420; 248/74.1, 74.4; 24/20 R, 20 LS; D23/265**

4,454,644 6/1984 Okazaki et al. 24/20 R
FOREIGN PATENT DOCUMENTS
 0562980 6/1975 Switzerland 248/74.4

Primary Examiner—B. J. Bullock
Attorney, Agent, or Firm—Adolph G. Martin

[57] **CLAIM**

The ornamental design for a pipe clamp, as shown and described.

DESCRIPTION

FIG. 1 is a front elevational view of a pipe clamp showing my new design;
 FIG. 2 is a left side elevational view thereof;
 FIG. 3 is a right side elevational view thereof;
 FIG. 4 is a rear elevational view thereof;
 FIG. 5 is a top plan view thereof;
 FIG. 6 is a bottom plan view thereof, and
 FIG. 7 is a cross-sectional view taken in the direction of the arrows on line 7—7 of FIG. 1.

[56] **References Cited**
U.S. PATENT DOCUMENTS

D. 142,057 8/1945 Baxter D23/265
 D. 230,951 3/1974 Marchese et al. D8/396
 D. 283,675 5/1986 Fogel et al. D8/396
 3,485,515 12/1969 Frishof 285/420
 4,310,956 1/1982 Meckstroth et al. 24/20 LS

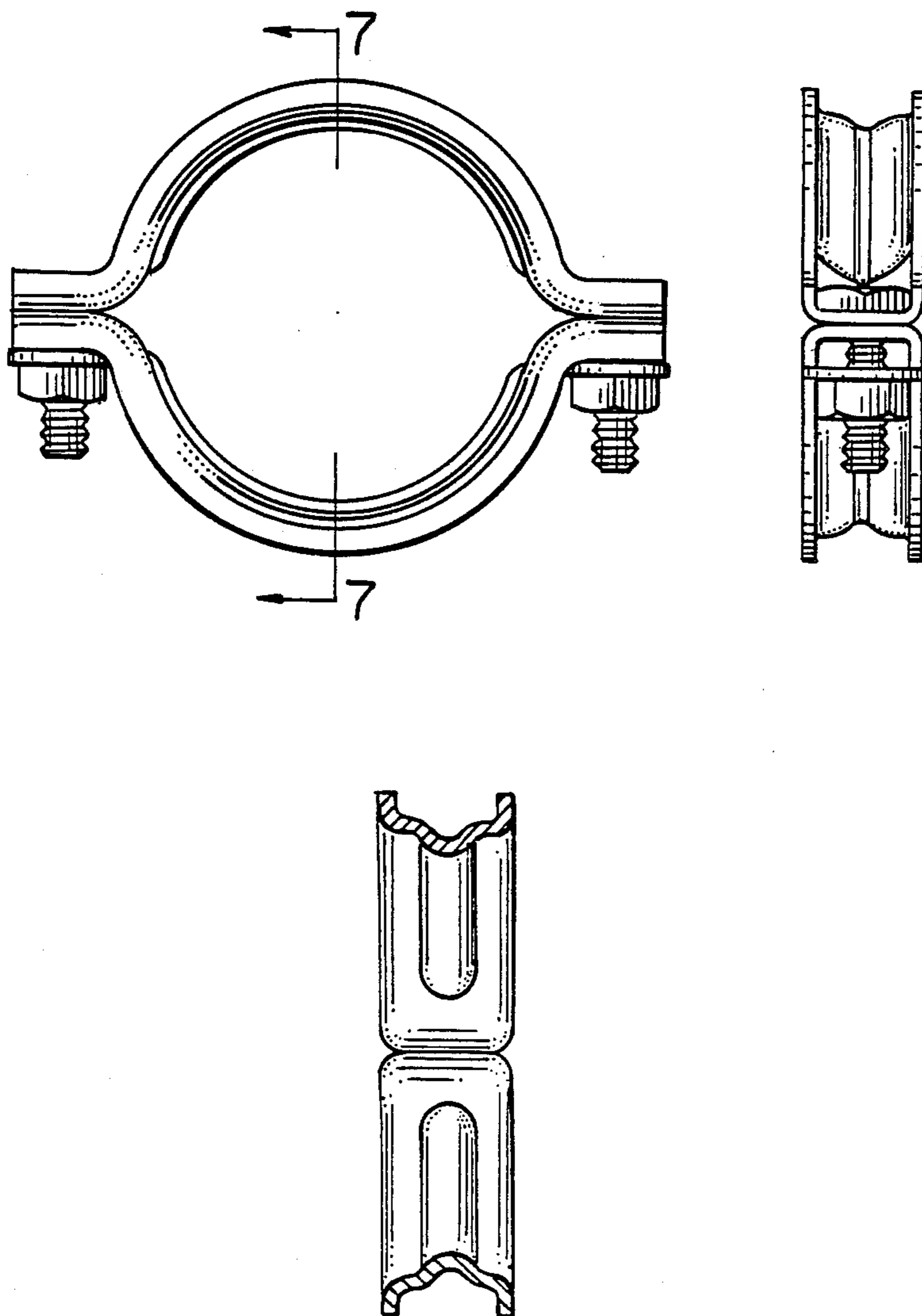


FIG. 2

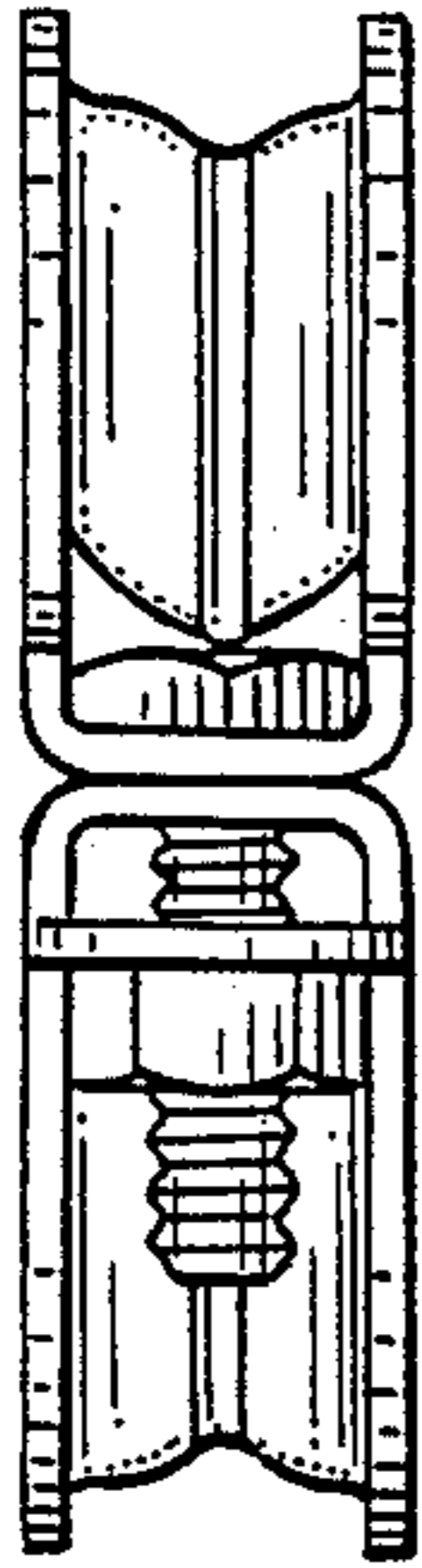


FIG. 1

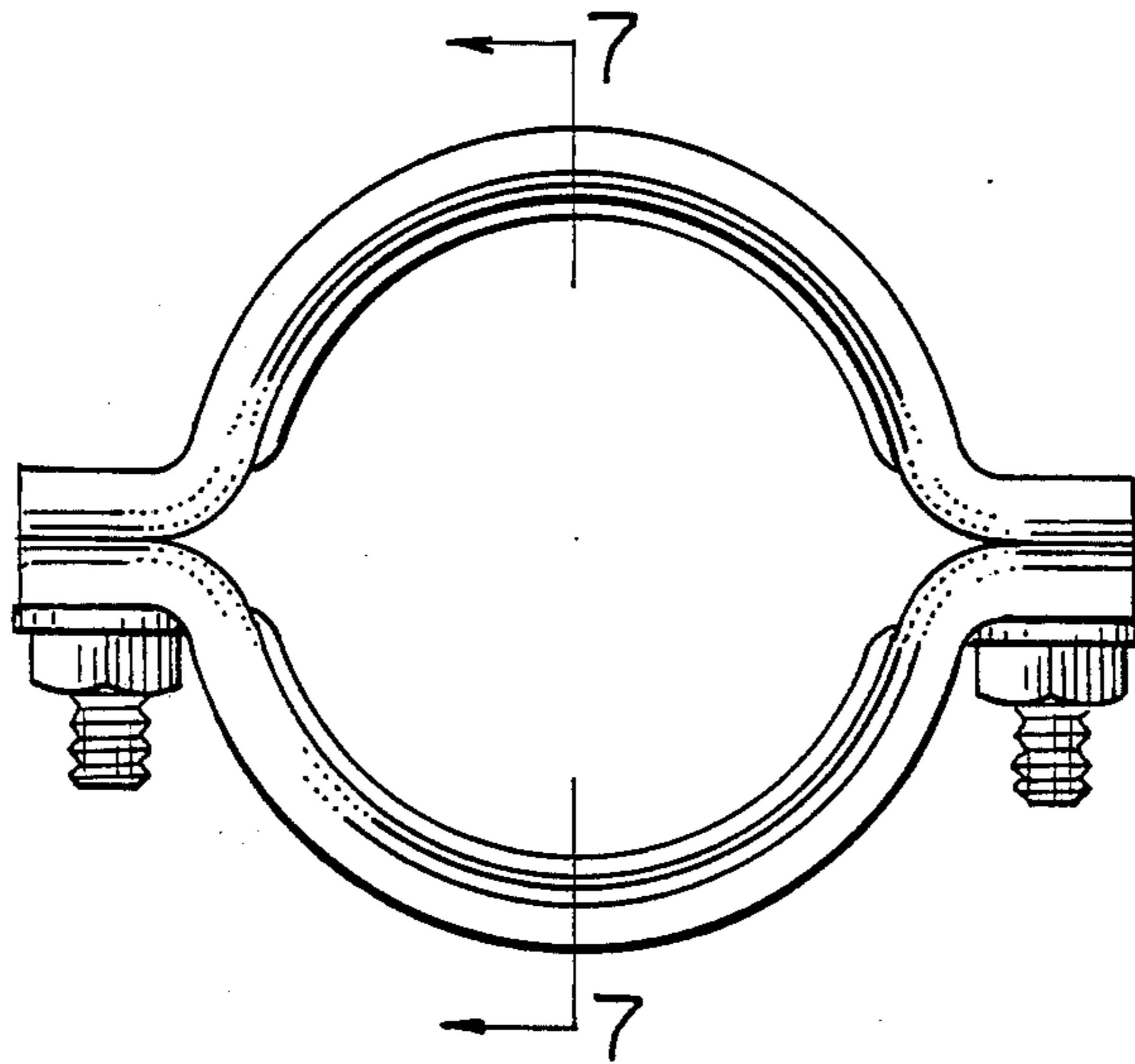


FIG. 3

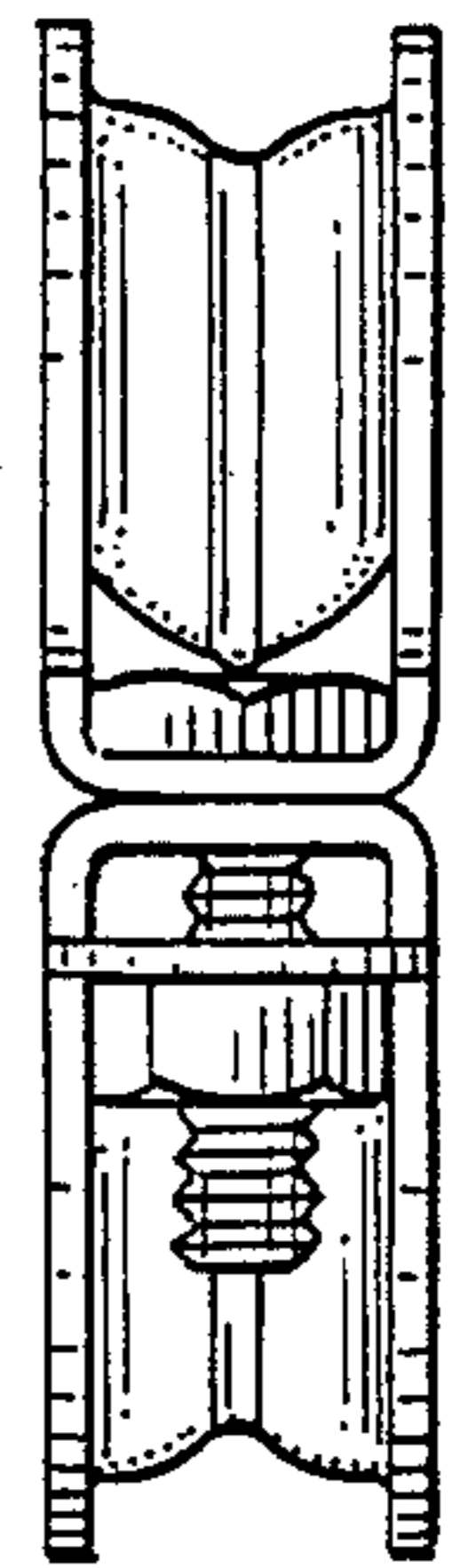


FIG. 4

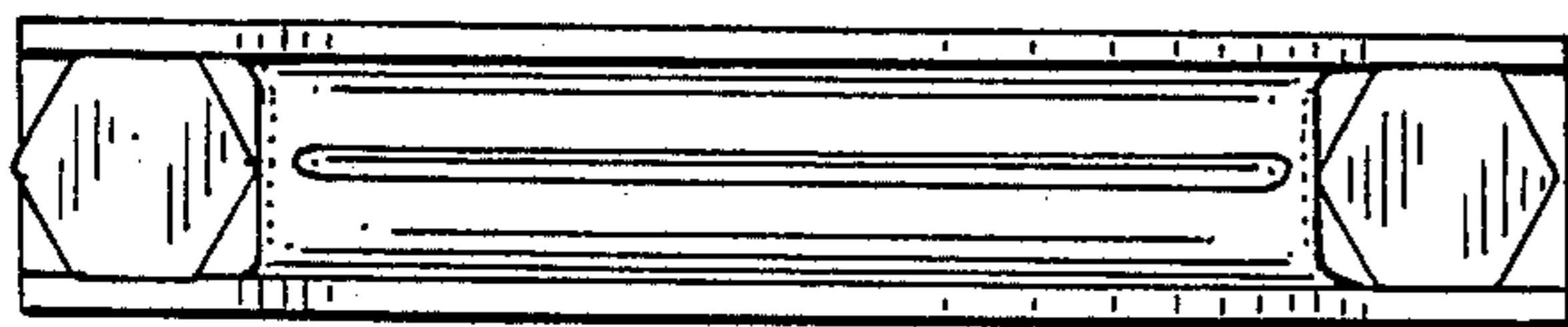
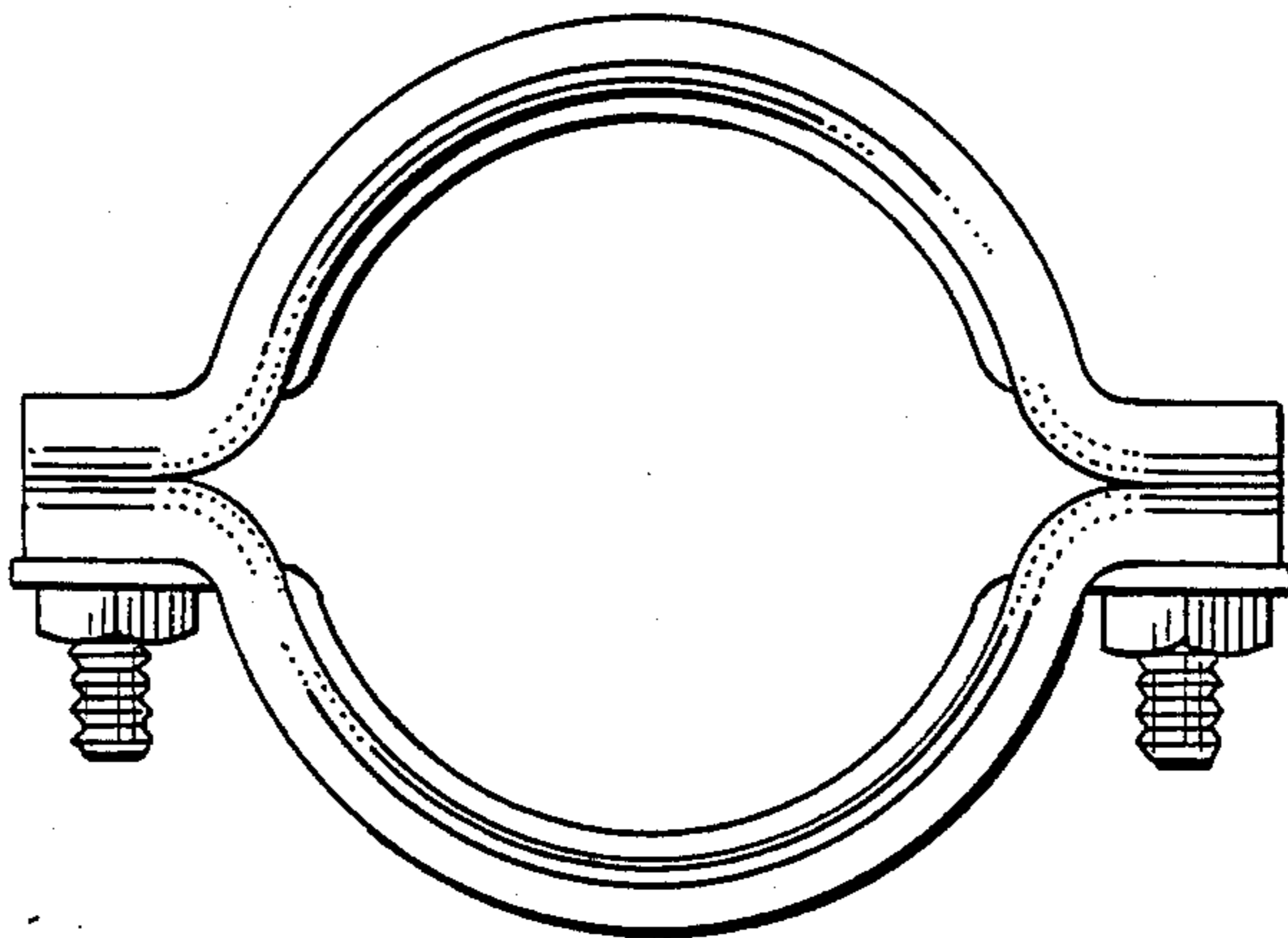


FIG. 5

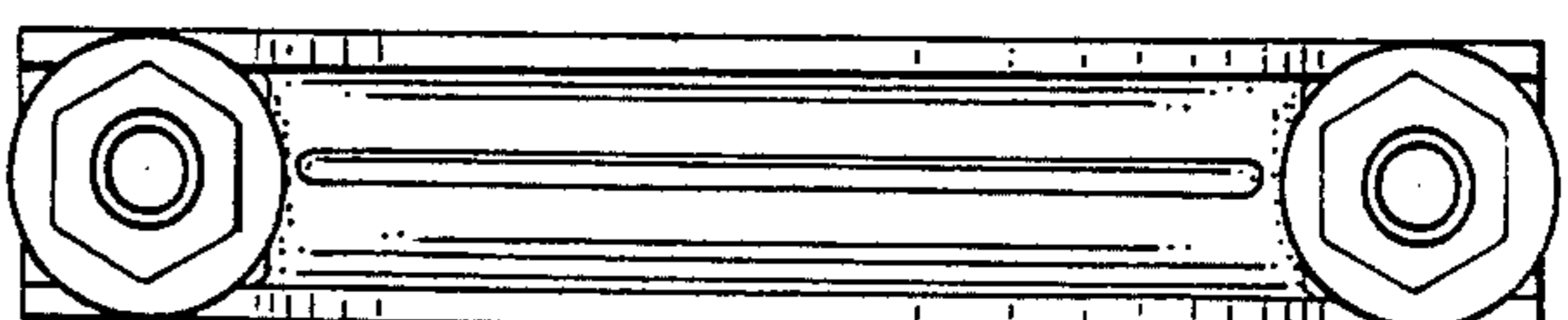


FIG. 6

FIG. 7

