

[54] PANEL FASTENER OR THE LIKE

[75] Inventor: Tomoaki Satoh, Yokohama, Japan

[73] Assignee: Nifco Inc., Yokohama, Japan

[\*\*] Term: 14 Years

[21] Appl. No.: 845,375

[22] Filed: Mar. 20, 1986

[30] Foreign Application Priority Data

Sep. 26, 1985 [JP] Japan ..... 60-40478

[52] U.S. Cl. .... D8/382; D8/393

[58] Field of Search ..... D8/382, 385, 386, 388, D8/393; 411/500, 508, 509, 510; 52/511; 24/297, 703

[56] References Cited

U.S. PATENT DOCUMENTS

D. 268,006 2/1983 Wollar ..... D8/388  
4,402,641 9/1983 Arff ..... 411/510

FOREIGN PATENT DOCUMENTS

2070678 9/1981 United Kingdom ..... 411/500

OTHER PUBLICATIONS

Fastex Push Fasteners; ©1982; p. 8; Binder Head.

Primary Examiner—B. J. Bullock

Attorney, Agent, or Firm—Trexler, Bushnell, Giangiorgi & Blackstone, Ltd.

[57] CLAIM

The ornamental design for a panel fastener or the like, as shown and described.

DESCRIPTION

FIG. 1 is a top and right front perspective view of a panel fastener or the like, showing my new design; FIG. 2 is a front elevational view thereof; FIG. 3 is a side elevational view taken from the right of FIG. 2; FIG. 4 is a bottom plan view thereof; FIG. 5 is a top plan view thereof; FIG. 6 is a cross-sectional view taken in the direction of the arrows on line VI—VI of FIG. 5; and FIG. 7 is a cross-sectional view thereof, with the panels being shown in broken lines for illustrative purposes only.

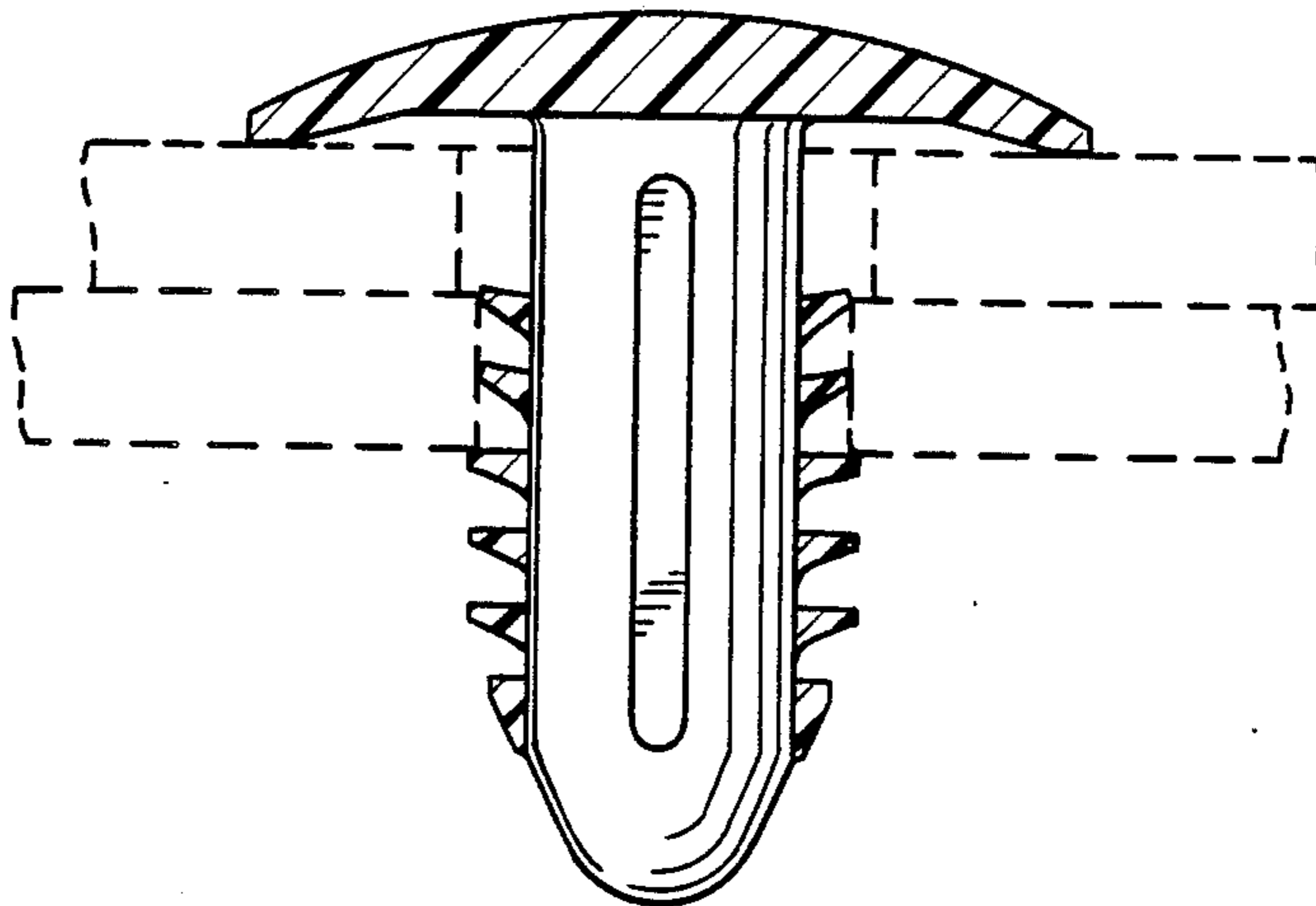
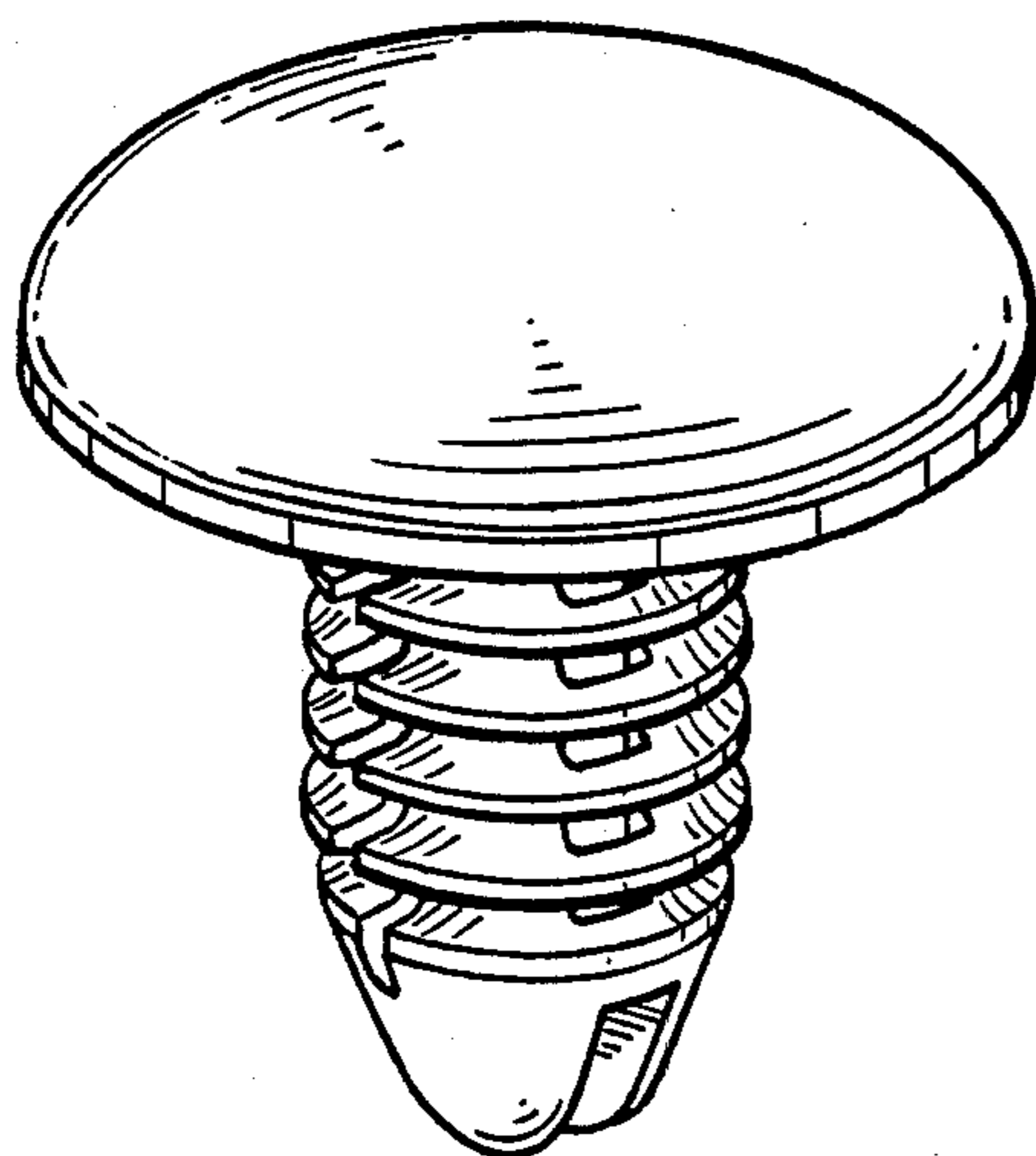


FIG. 1

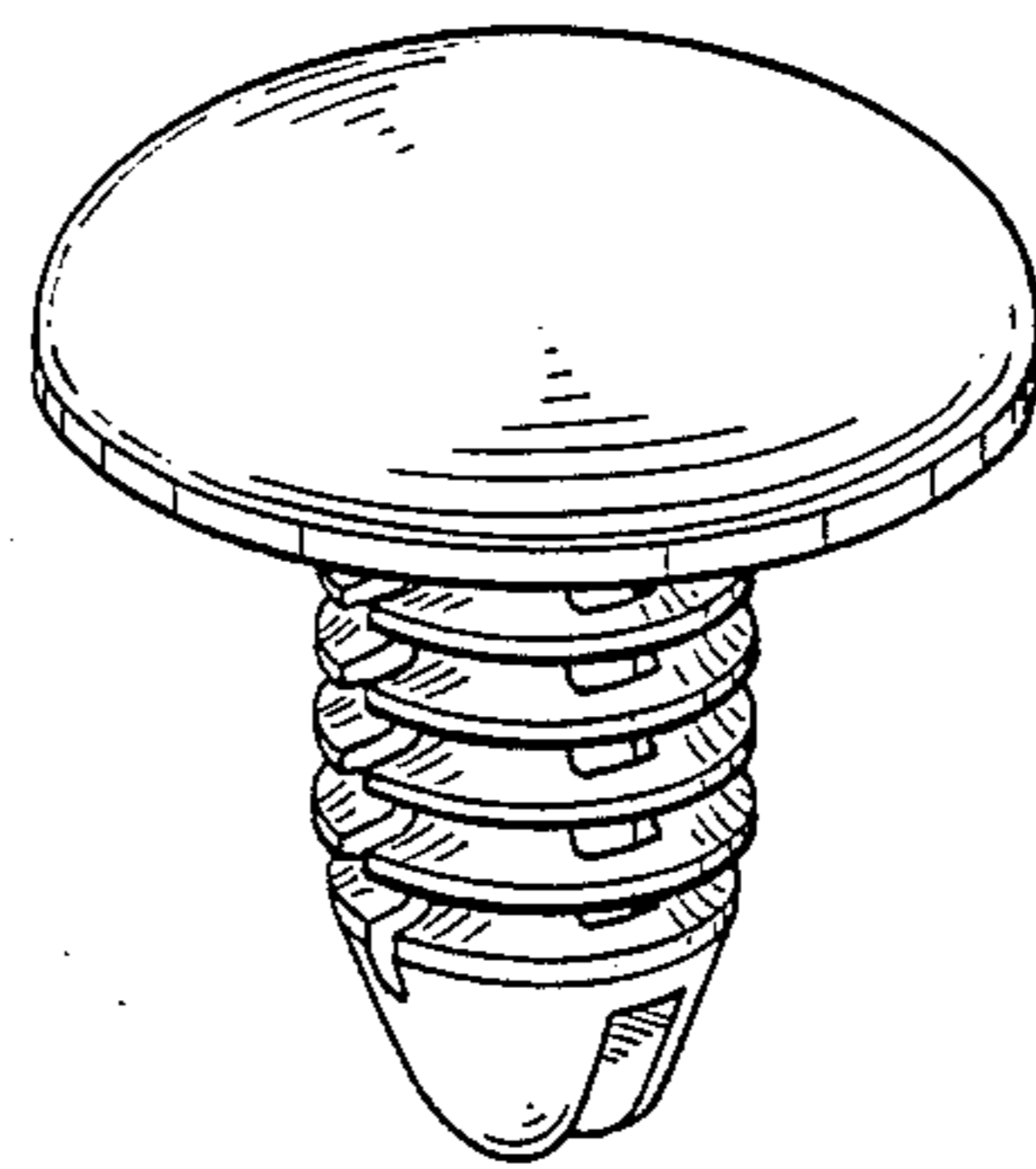


FIG. 2

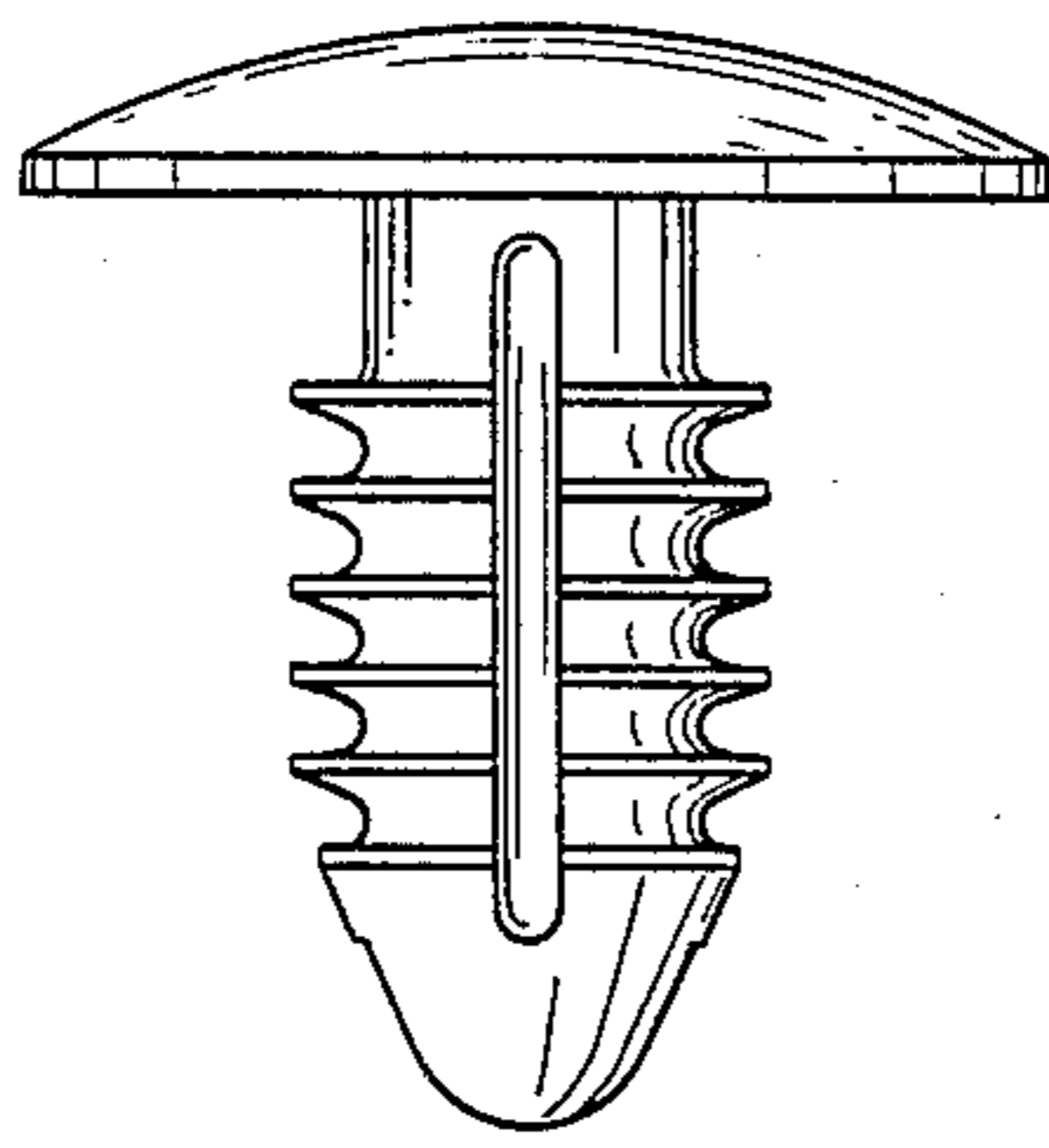


FIG. 3

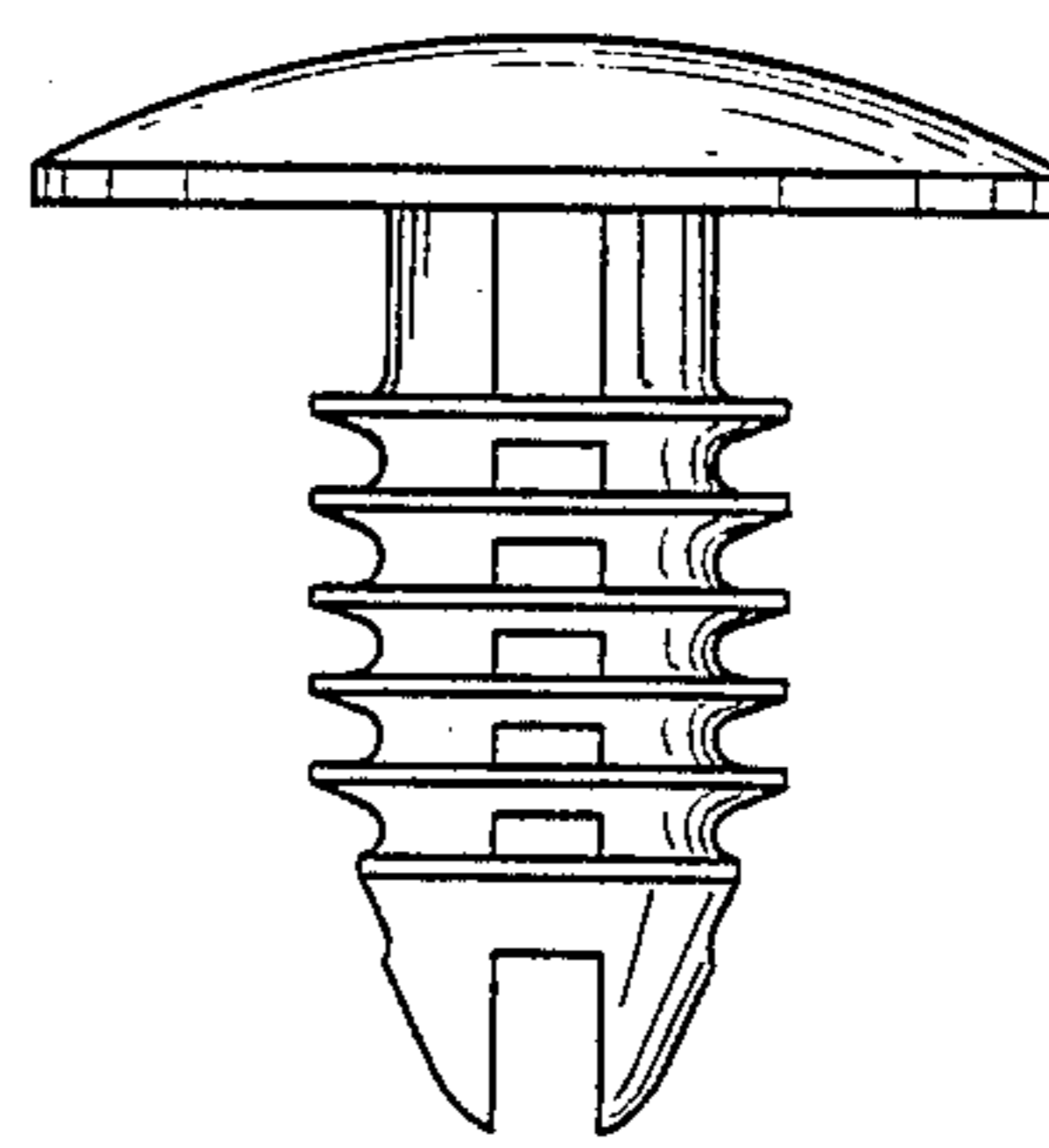


FIG. 4

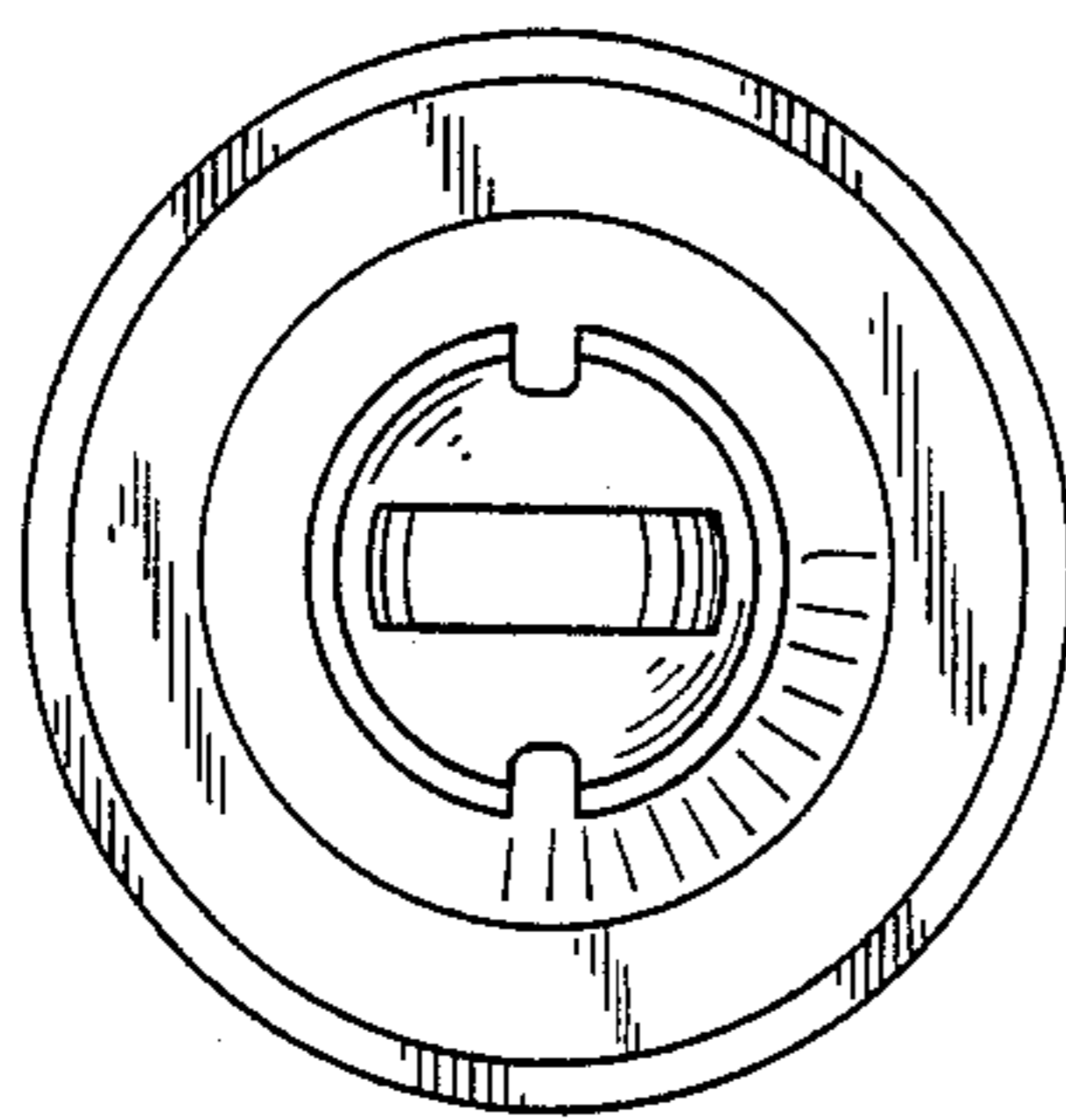


FIG. 5

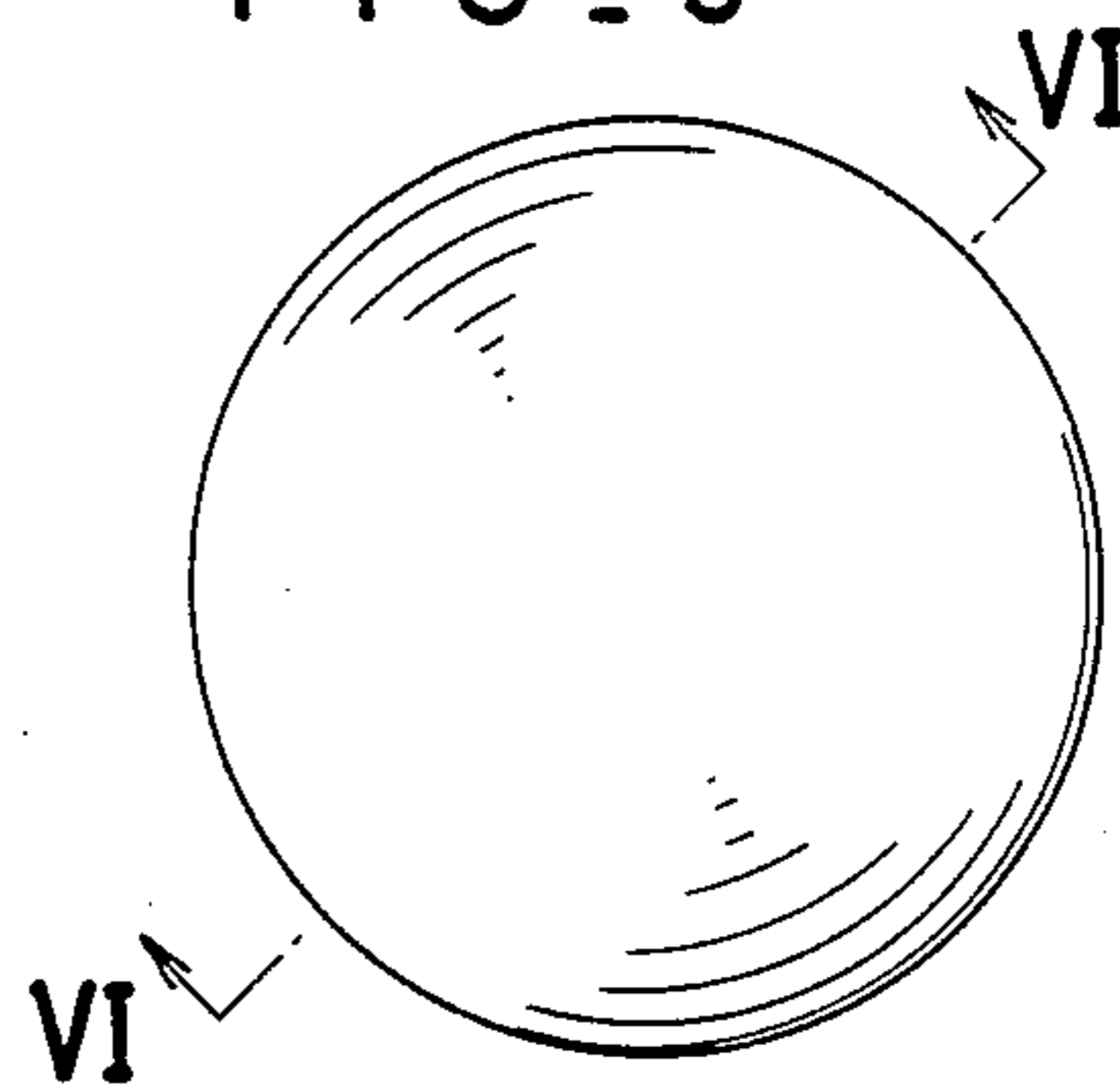


FIG. 6

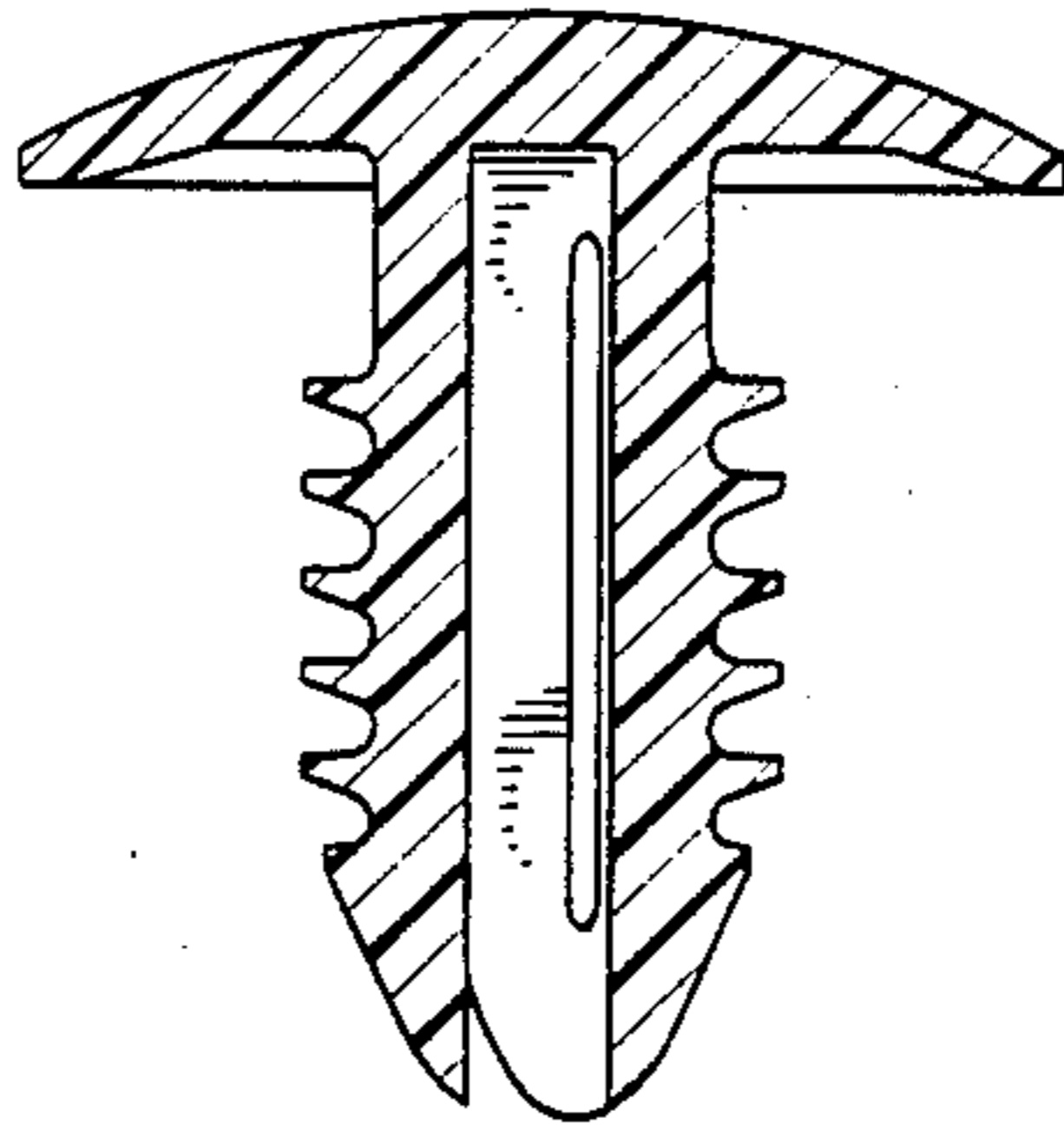


FIG. 7

